



US00D535441S

(12) **United States Design Patent**
Maddy

(10) **Patent No.:** **US D535,441 S**
(45) **Date of Patent:** **** Jan. 16, 2007**

- (54) **CONTAINER**
- (75) Inventor: **Timothy Maddy**, Dallas, TX (US)
- (73) Assignee: **Mary Kay Inc.**, Addison, TX (US)
- (**) Term: **14 Years**
- (21) Appl. No.: **29/232,011**
- (22) Filed: **Jun. 13, 2005**
- (51) **LOC (8) Cl.** **28-03**
- (52) **U.S. Cl.** **D28/76**
- (58) **Field of Classification Search** D28/76-83,
D28/85, 88-89; 401/128, 129; 132/218, 318,
132/317; D9/503-505, 529; 206/581, 823
See application file for complete search history.

- D272,952 S 3/1984 Holloway
- D275,040 S 8/1984 Holloway
- D283,454 S 4/1986 Holloway
- D310,737 S 9/1990 Bakic
- D313,289 S 12/1990 Bakic
- D343,926 S 2/1994 Garouste et al.
- D345,630 S 3/1994 Chevassus
- D349,176 S 7/1994 Litton
- D350,899 S 9/1994 Vasas
- D353,333 S 12/1994 McIlvain
- D364,006 S 11/1995 Kamen

(Continued)

Primary Examiner—Jennifer Rivard
(74) *Attorney, Agent, or Firm*—Fulbright & Jaworski L.L.P.

(57) **CLAIM**

The ornamental design for a container, as shown and described.

(56) **References Cited**
U.S. PATENT DOCUMENTS

- D65,875 S 10/1924 Tompkins
- D86,082 S 1/1932 Friedman
- D92,169 S 5/1934 Gage
- D114,442 S 4/1939 Dexter
- D128,848 S 8/1941 Petzold
- D129,291 S 9/1941 Petzold
- D129,942 S 10/1941 Petzold
- D134,250 S 11/1942 Botelho
- D145,048 S 6/1946 Renaud
- D154,653 S 8/1949 Becker
- D158,203 S 4/1950 La Scola
- D165,597 S 1/1952 Muscetra
- D178,188 S 7/1956 Guild et al.
- D179,825 S 3/1957 Van Voorhis
- D179,826 S 3/1957 Van Voorhis
- D179,870 S 3/1957 Wassyng
- D180,021 S 4/1957 Kent
- D180,112 S 4/1957 Slater
- D180,977 S 9/1957 Van Voorhis
- D185,319 S 5/1959 Schlumberger
- D185,320 S 5/1959 Schlumberger et al.
- D185,321 S 5/1959 Schlumberger et al.
- D185,336 S 5/1959 Wolf
- D185,337 S 5/1959 Wolf
- D255,989 S 7/1980 Lipsz

DESCRIPTION

FIG. 1 is a perspective view of a first embodiment of my design;

FIG. 2 is a side view of the first embodiment, the first embodiment being symmetrical about its axis;

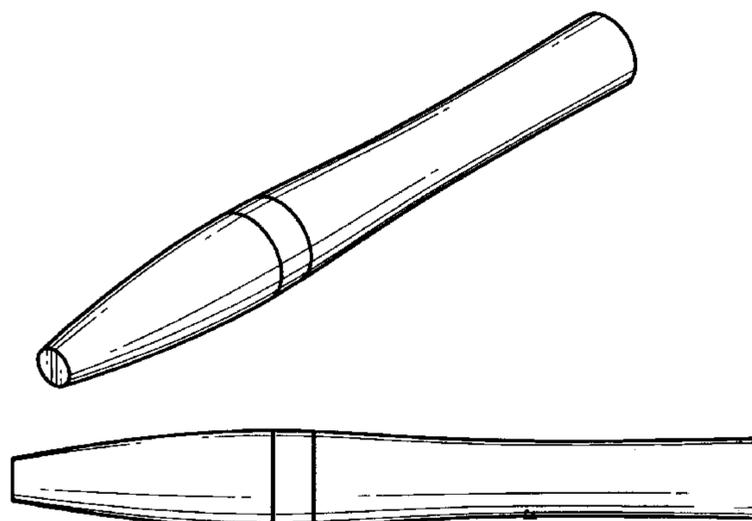
FIG. 3 is a top view of the first embodiment;

FIG. 4 is a side view of a second embodiment of my design, the only difference from the first embodiment being that the collar in this embodiment is shown in dashed lines as environmental structure and forms no part of the claimed design, it being understood that all other surfaces are the same as those of the first embodiment; and,

FIG. 5 is a side view of a third embodiment of my design, the only difference from the first embodiment being that the top of the collar in this embodiment is shown in a dashed line as environmental structure and forms no part of the claimed design, it being understood that all other surfaces are the same as those of the first embodiment.

The bottom of each embodiment of my design and all other surfaces or portions of the embodiments of my design not shown in the figures or otherwise described in the specification form no part of the claimed design.

1 Claim, 2 Drawing Sheets



US D535,441 S

Page 2

U.S. PATENT DOCUMENTS							
D365,176	S	12/1995	Heinrich	D436,232	S	* 1/2001	Denham et al. D28/76
5,509,742	A	4/1996	Balzarini	D439,705	S	3/2001	Lerolle
D370,089	S	5/1996	Faverio	D441,916	S	5/2001	Faillant-Dumas
D387,382	S	* 12/1997	Nyambi et al. D28/76	D448,121	S	9/2001	Gebb et al.
D390,117	S	2/1998	Kan et al.	D464,773	S	10/2002	Flscher
5,873,670	A	2/1999	Spivey et al.	D467,391	S	12/2002	Orsomando
D406,921	S	3/1999	Roeder	D468,060	S	12/2002	Orsomando
D412,597	S	8/1999	Bauer	D469,694	S	2/2003	Lerolle
D415,319	S	10/1999	Bakic	D472,812	S	4/2003	Lerolle
D415,859	S	10/1999	Gobe	D483,155	S	12/2003	Orsomando
D416,355	S	11/1999	Lerolle	D486,270	S	2/2004	Kurumada
D416,356	S	* 11/1999	Denham et al. D28/76	D491,691	S	6/2004	Braaten
D416,357	S	11/1999	Gobe	D497,455	S	10/2004	Lee
D419,266	S	1/2000	Gobe	D502,572	S	3/2005	Dumler
D424,754	S	5/2000	Lang	D503,244	S	3/2005	Campbell
D425,258	S	5/2000	Lang	D517,243	S	* 3/2006	Martinez D28/76
D425,259	S	5/2000	Lang	D518,239	S	* 3/2006	Martinez D28/76
D432,721	S	* 10/2000	Lerolle D28/76				

* cited by examiner

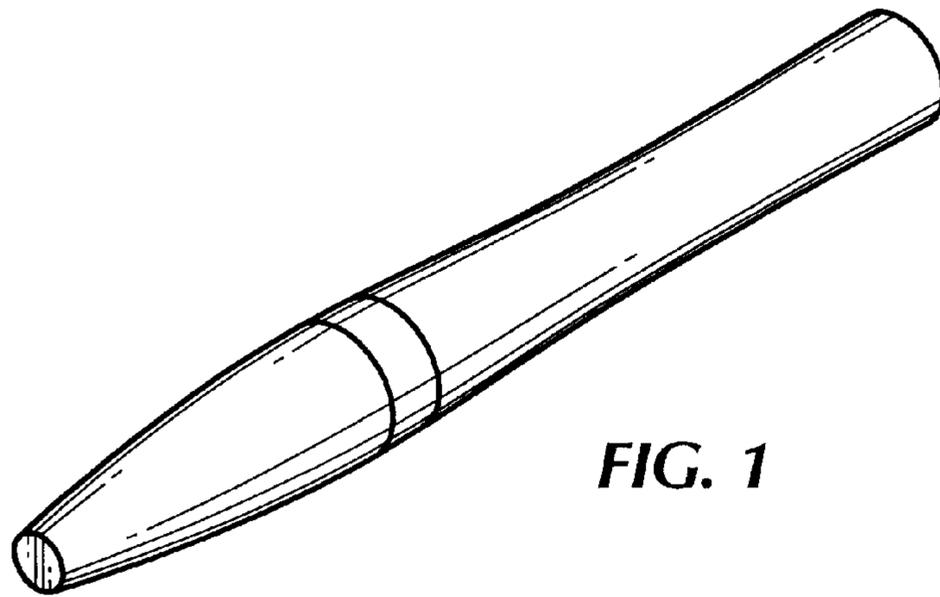


FIG. 1

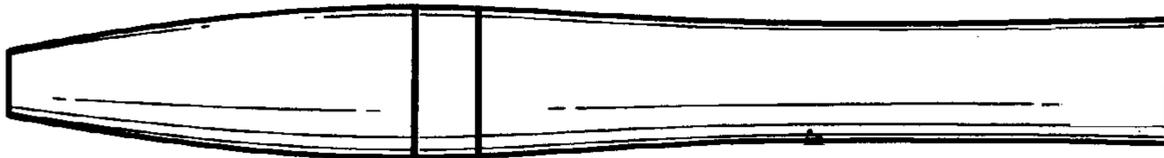


FIG. 2

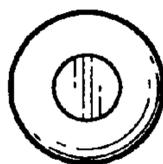


FIG. 3

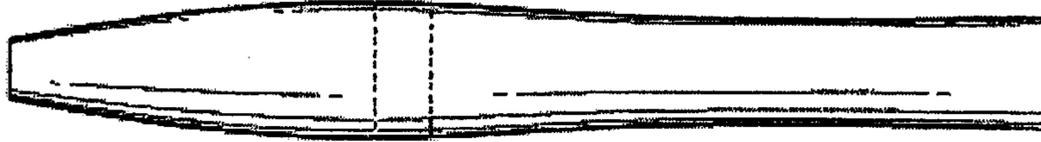


FIG. 4

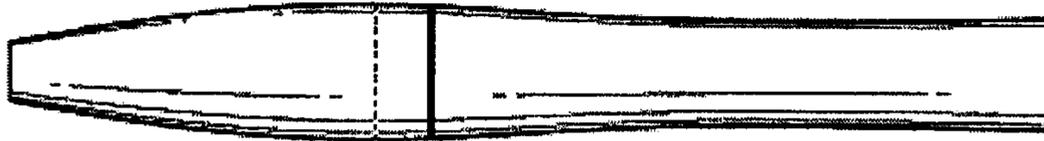


FIG. 5