

US00D535440S

(12) **United States Design Patent** (10) **Patent No.:** **US D535,440 S**
Getgey et al. (45) **Date of Patent:** **** Jan. 16, 2007**

(54) **FLOSSING HEAD OF MOTORIZED FLOSSER**

(75) Inventors: **William F. Getgey**, Cincinnati, OH (US); **Carl R. Andry**, Lawrenceburg, IN (US); **Gregory R. Furnish**, Louisville, KY (US)

(73) Assignee: **William Getgey Company, Inc.**, Cincinnati, OH (US)

(**) Term: **14 Years**

(21) Appl. No.: **29/246,072**

(22) Filed: **Jan. 20, 2006**

(51) **LOC (8) Cl.** **28-03**

(52) **U.S. Cl.** **D28/65**

(58) **Field of Classification Search** D28/65-68; D4/100-102; 433/141, 146, 147; 132/322-329
See application file for complete search history.

(56) **References Cited**

U.S. PATENT DOCUMENTS

4,338,957	A	*	7/1982	Meibauer	132/322
D284,896	S	*	7/1986	Ching-Chou	D28/68
D298,176	S	*	10/1988	Davis	D28/68
5,261,430	A		11/1993	Mochel		
5,267,579	A		12/1993	Bushberger		
5,279,314	A		1/1994	Poulos et al.		
5,348,473	A		9/1994	Kivlighan, Jr.		
5,483,982	A	*	1/1996	Bennett et al.	132/323
5,571,012	A		11/1996	Witherby et al.		
5,579,786	A		12/1996	Wolk et al.		
D381,122	S	*	7/1997	Ando	D28/65
5,650,035	A		7/1997	McGaha et al.		
5,799,674	A		9/1998	Ali et al.		
D411,769	S	*	7/1999	Wright	D4/101
D494,712	S		8/2004	Getgey		
2003/0098037	A1	*	5/2003	Dougan et al.	132/323
2004/0035439	A1		2/2004	Lai et al.		

OTHER PUBLICATIONS

Gregg A. DuPont, DVM, *Understanding dental plaque: biofilm dynamics*, Journal of Veterinary Dentistry, vol. 14, No. 3, Sep. 1997.

Casey Chen, PhD, DDS and Sandra K. Rich, RDH, MPH, PhD, *Biofilm Basics*, Dimensions of Dental Hygiene, Feb./Mar. 2003.

B. Guggenheim, E. Giertsen, P. Schupach, and S. Shapiro, *Validation of an in vitro Biofilm Model of Supragingival Plaque*, Journal of Dental Research, 80(1) 2001.

Justin Merrit; Maxwell H. Anderson, DDS, MS, Med; No-Hee Parks, DDS, PhD; and Wenyuan Shi, PhD, *Bacterial Biofilm and Dentistry*, CDA Journal, vol. 29, No. 5, May 2001.

S.R. Wood, J. Kirkham, P.D. Marsh, R.C. Shore, B. Nattress, and C. Robinson, *Architecture of Intact Natural Human Plaque Biofilms Studied by Confocal Laser Scanning Microscopy*, Journal of Dental Research, 79(1) 2000.

Pamela R. Overman, RDH, MS, *Biofilm: A New View of Plaque*, The Journal of Contemporary Dental Practice, vol. 1, No. 3, Summer Issue, 2000.

Casey Chen, DDS, PhD, *Periodontitis as a Biofilm Infection*, CDA Journal. Vo., 20, No. 5, May 2001.

Caren M. Barnes, RDH, MS, *The Bottom Line*, Dimensions of Dental Care, Feb./Mar. 2003.

* cited by examiner

Primary Examiner—Janice Seeger

Assistant Examiner—Zenita I Bennett

(74) *Attorney, Agent, or Firm*—Wood, Herron & Evans, LLP

(57) **CLAIM**

The ornamental design for a flossing head of motorized flosser, as shown and described.

DESCRIPTION

FIG. 1 is a perspective view of the flossing head of a motorized flosser showing my new design;

FIG. 2 is an enlarged perspective view;

FIG. 3 is a front elevational view;

FIG. 4 is a side elevational view, the opposite side being a mirror image;

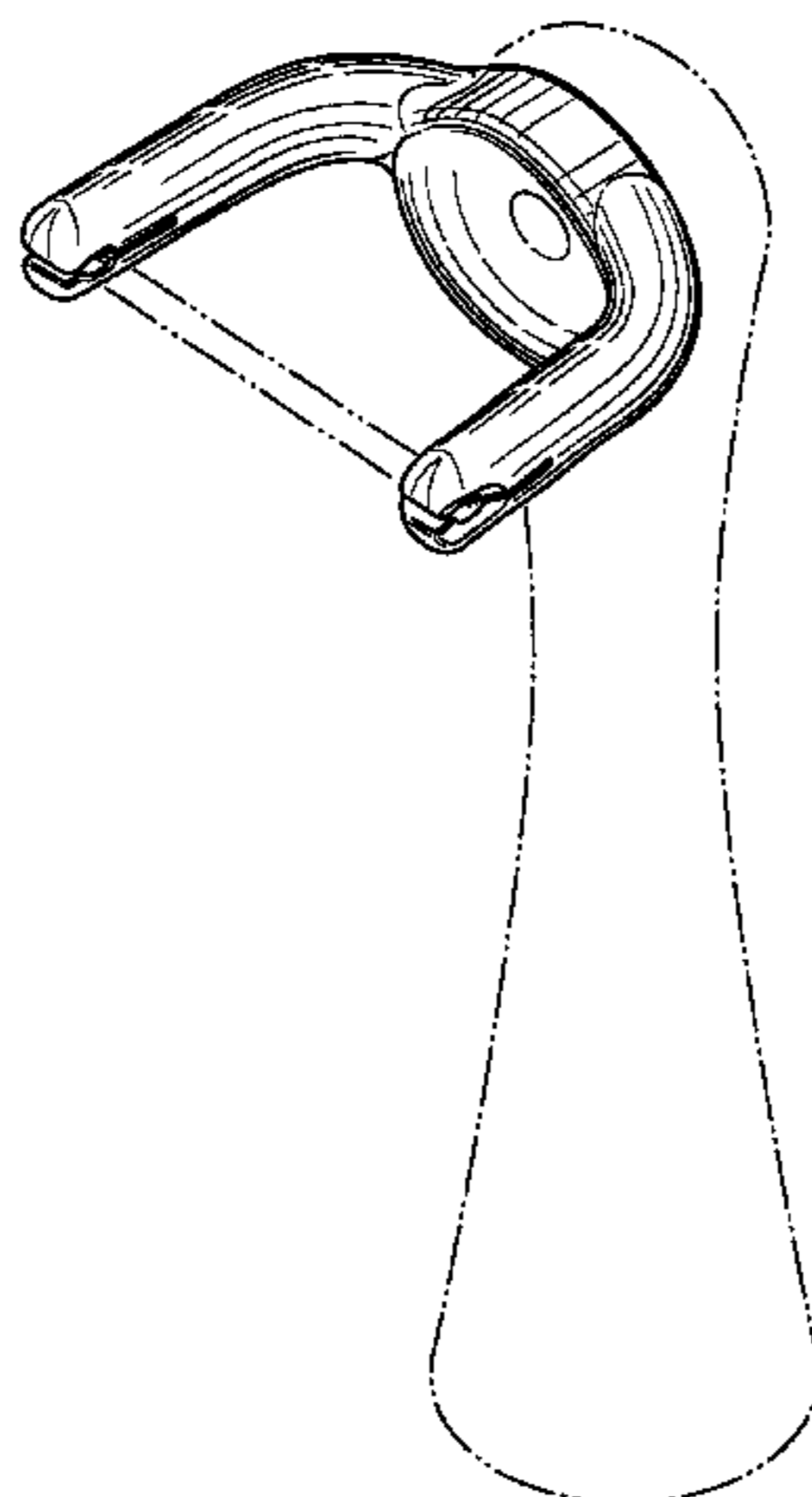
FIG. 5 is a rear elevational view;

FIG. 6 is a top plan view; and,

FIG. 7 is a bottom plan view.

The broken lines in the drawings are for illustrative purposes only and form no part of the claimed design.

1 Claim, 5 Drawing Sheets



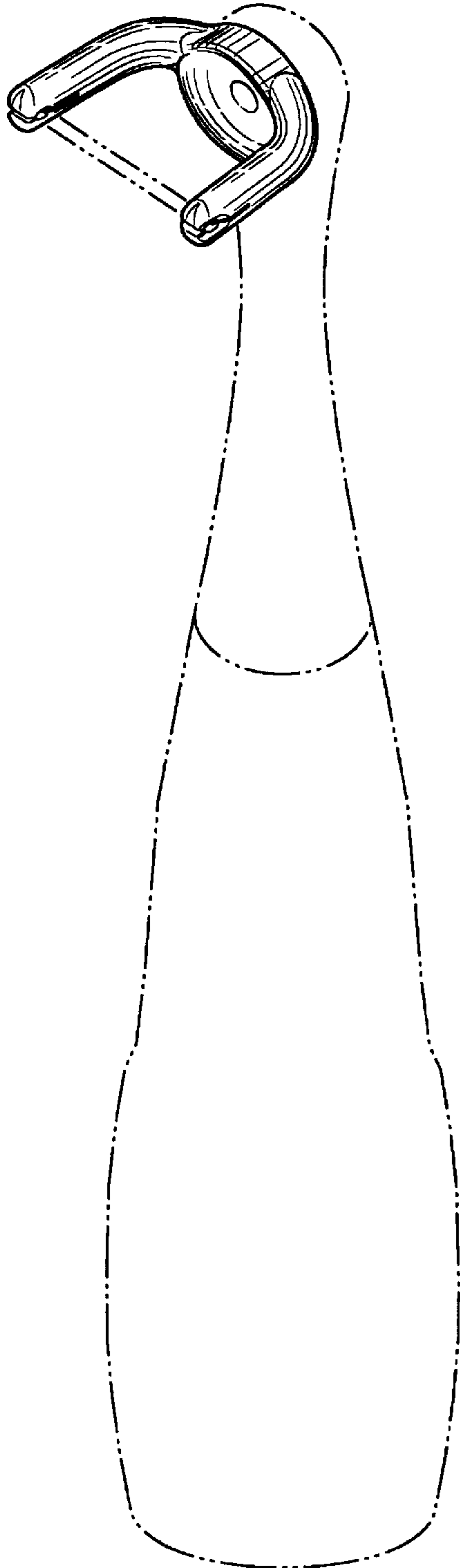


FIG. 1

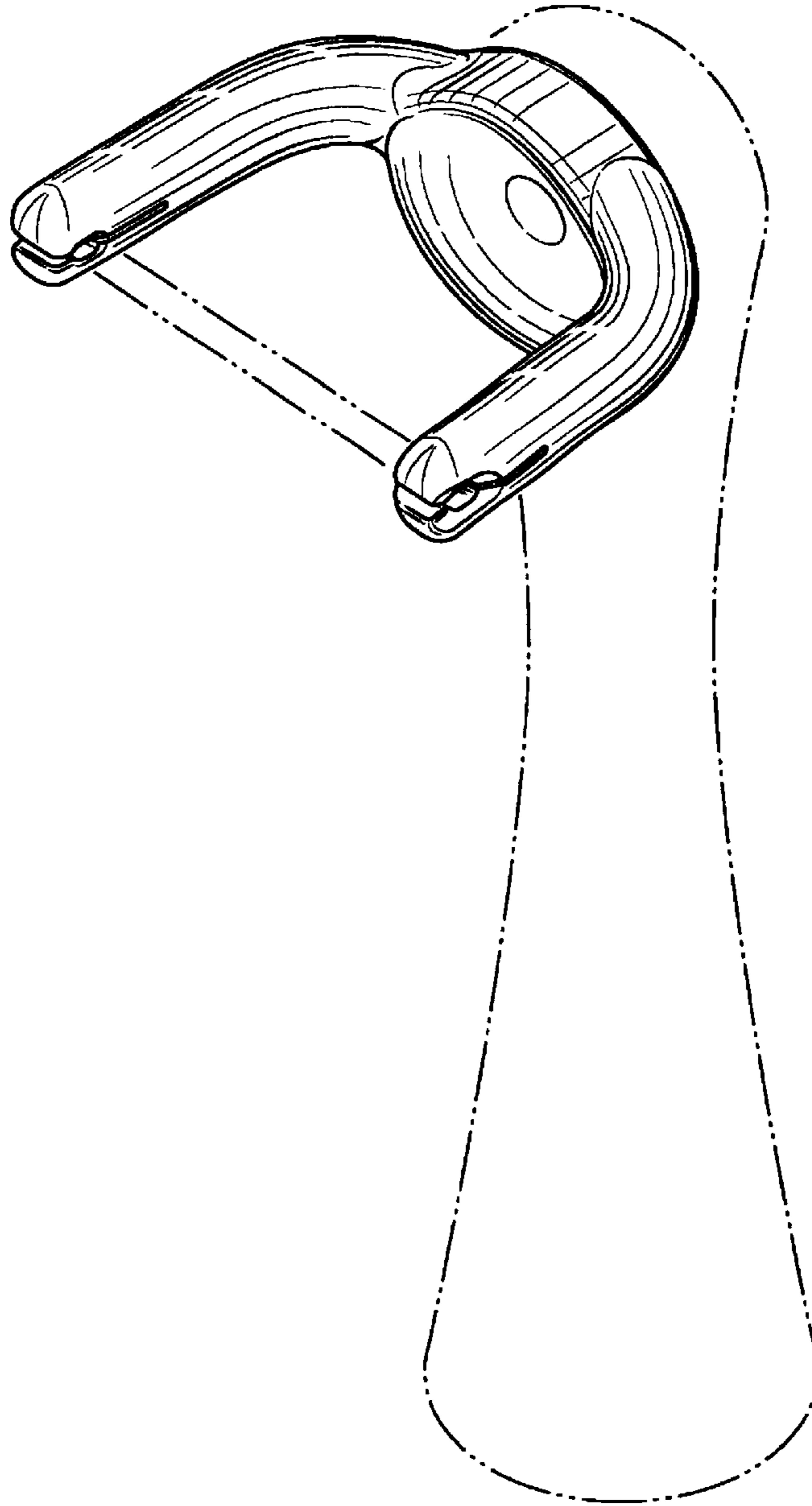


FIG. 2

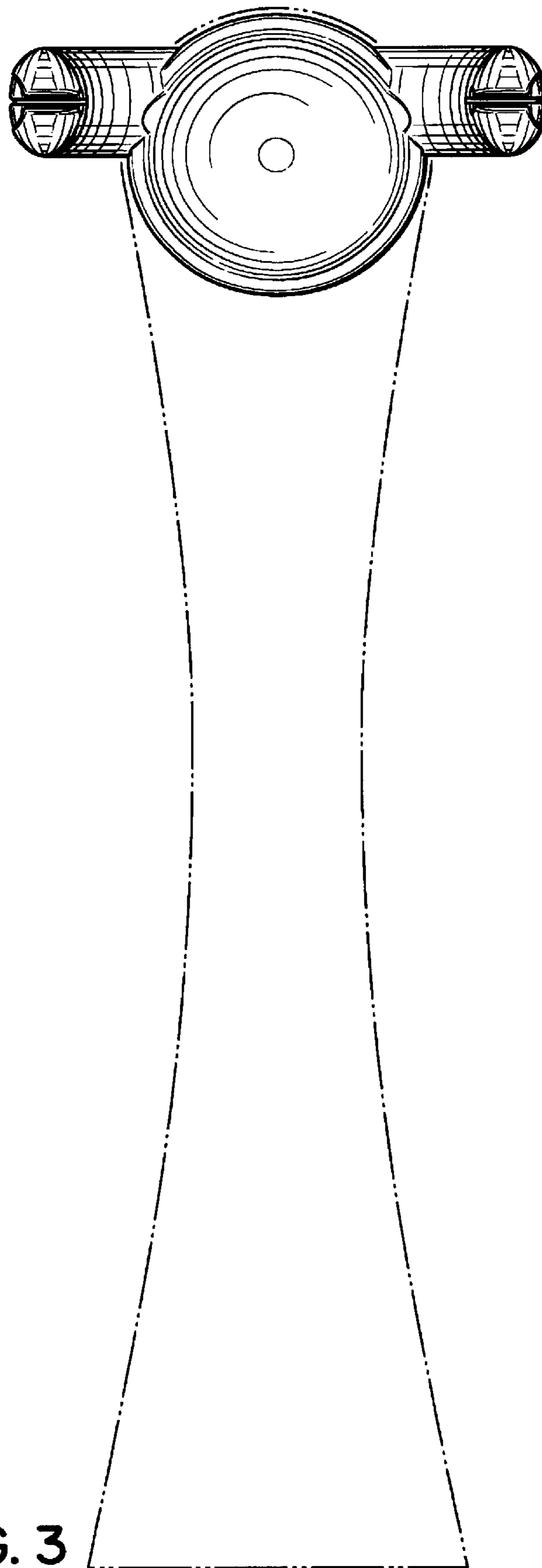


FIG. 3

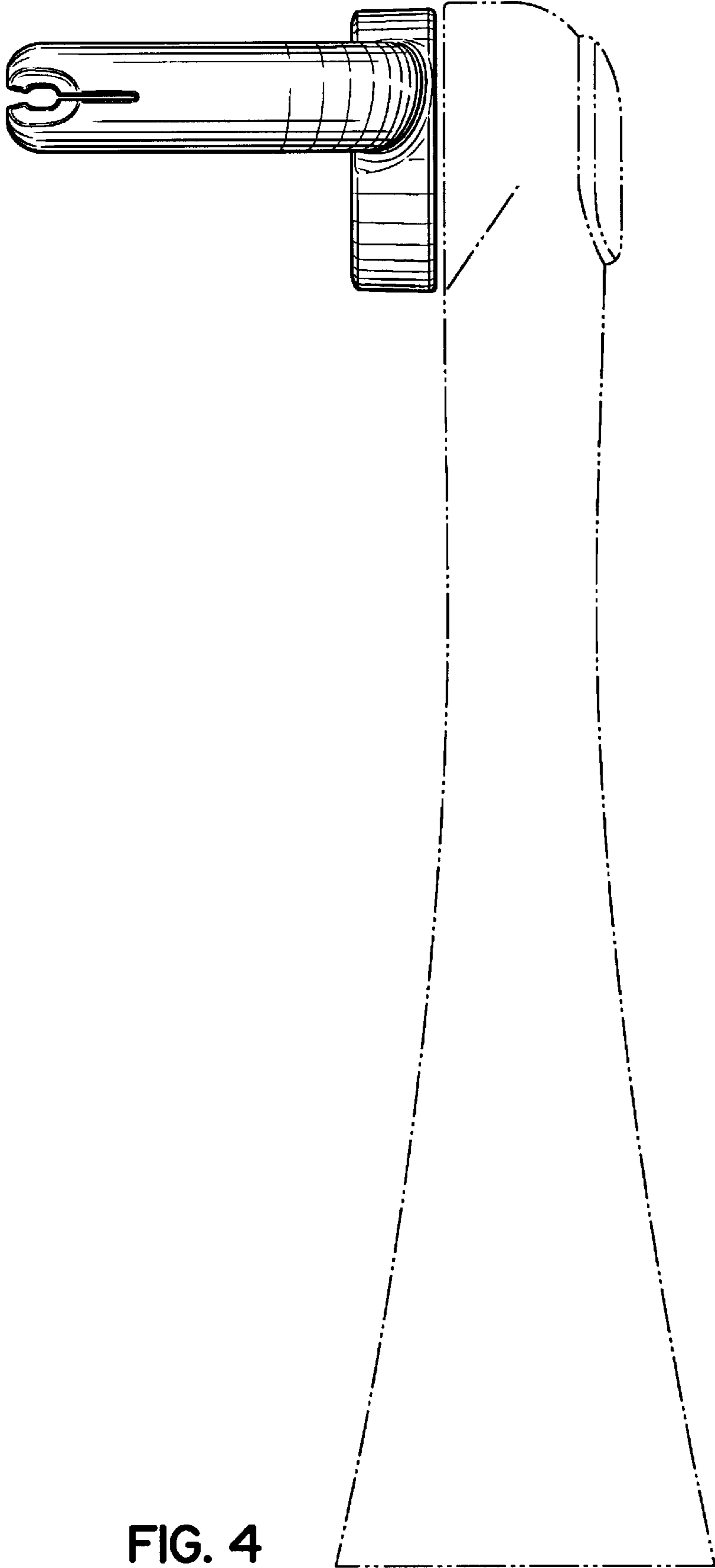


FIG. 4

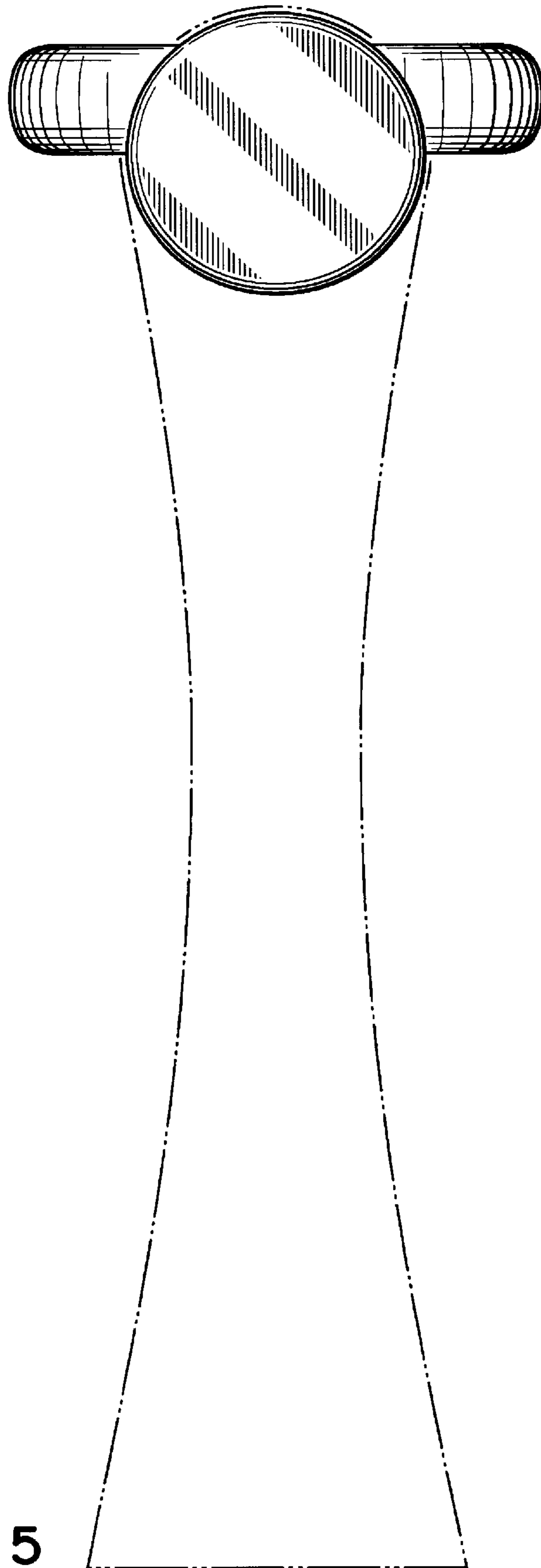


FIG. 5

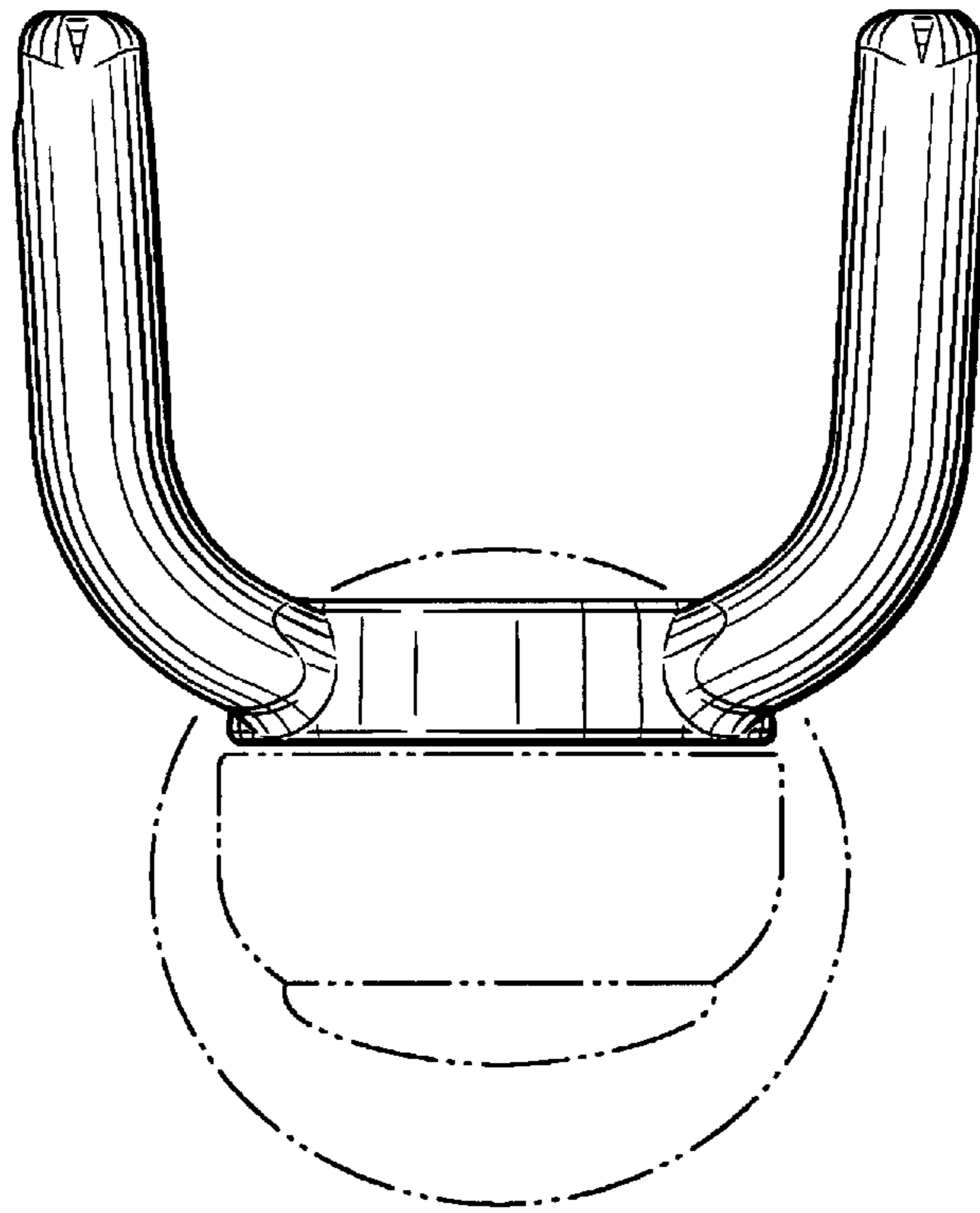


FIG. 6

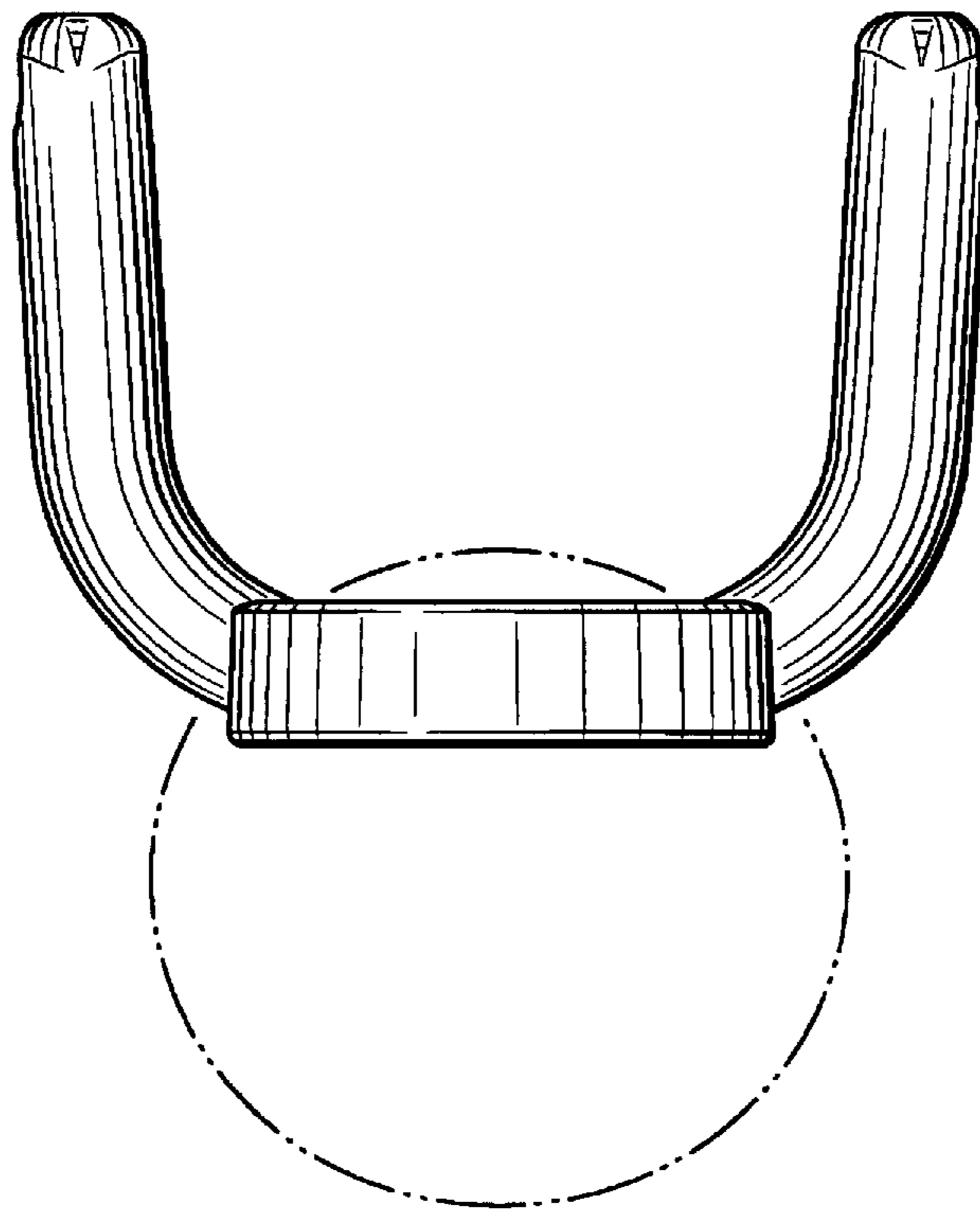


FIG. 7