



US00D535437S

(12) **United States Design Patent**
Ceva

(10) **Patent No.:** **US D535,437 S**

(45) **Date of Patent:** **** Jan. 16, 2007**

(54) **HAIR IRON**

(75) Inventor: **Carlos Jose Ceva**, San Isidro (AR)

(73) Assignee: **Duna Enterprises S.A.**, Panama (PA)

(**) Term: **14 Years**

(21) Appl. No.: **29/224,820**

(22) Filed: **Mar. 8, 2005**

(30) **Foreign Application Priority Data**

Oct. 1, 2004 (AR) 72.651

(51) **LOC (8) Cl.** **28-03**

(52) **U.S. Cl.** **D28/35**

(58) **Field of Classification Search** 132/223–225,
132/227–229, 232, 245, 269, 271; 219/222,
219/225, 226; D28/35

See application file for complete search history.

(56) **References Cited**

U.S. PATENT DOCUMENTS

D489,484 S * 5/2004 Cheung D28/35
D511,023 S * 10/2005 Cho D28/35
2002/0190047 A1 * 12/2002 Nam 219/222
2006/0037625 A1 * 2/2006 Kayser et al. 132/224

* cited by examiner

Primary Examiner—Jennifer Rivard

(74) *Attorney, Agent, or Firm*—Hughes Hubbard & Reed
LLP; Ronald Abramson; Peter A. Sullivan

(57) **CLAIM**

The ornamental design for a hair iron, as shown and described.

DESCRIPTION

FIG. 1 is a perspective view of a hair iron showing my new design;

FIG. 2 is a left side elevational view thereof;

FIG. 3 is a right side elevational view thereof;

FIG. 4 is a front elevational view thereof; the back elevational view being a mirror image of the front elevational view;

FIG. 5 is a top plan view thereof;

FIG. 6 is a bottom plan view thereof;

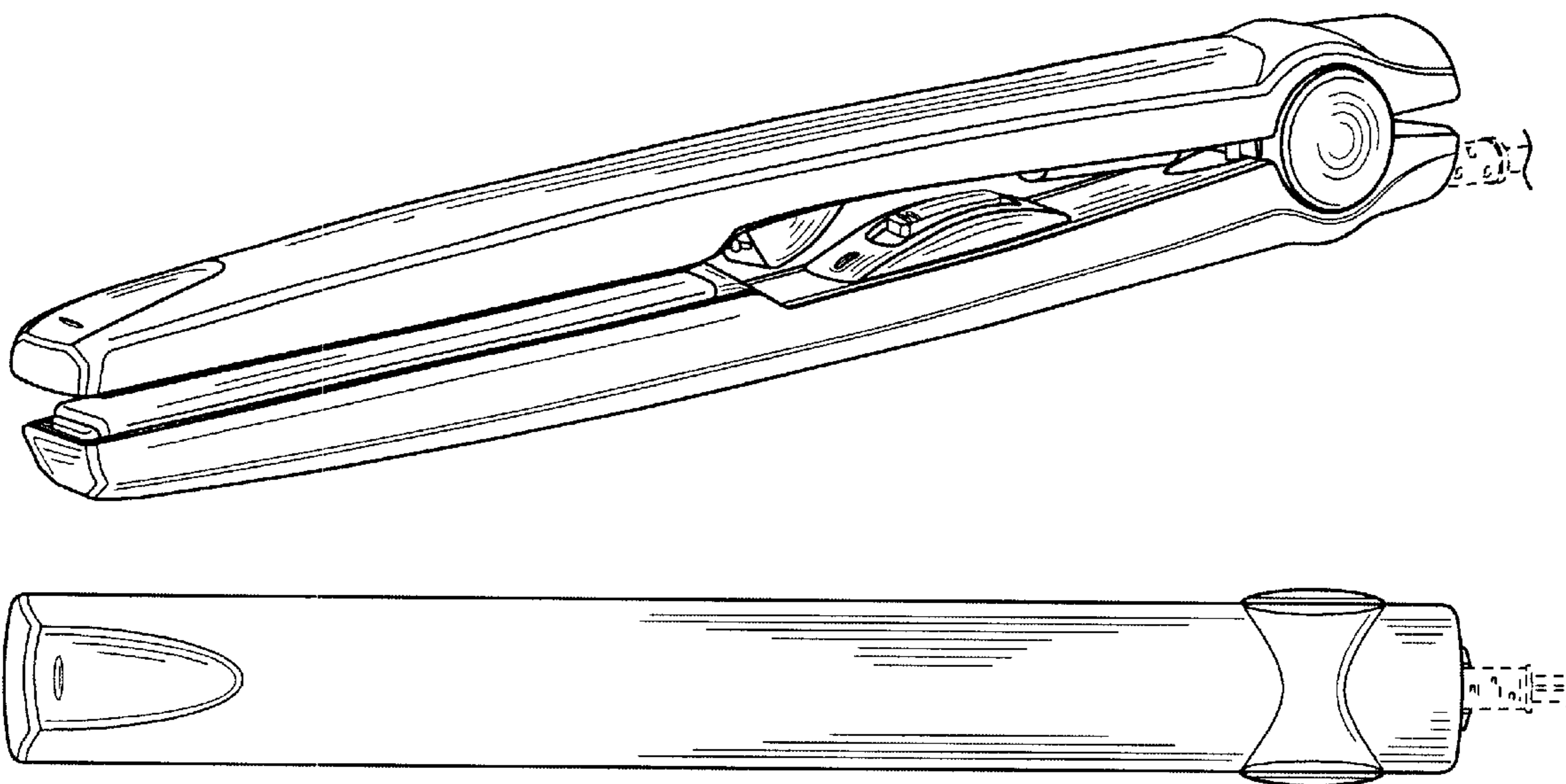
FIG. 7 is a second perspective view of the hair iron with its top and bottom prongs in an open position;

FIG. 8 is a third perspective view of the hair iron; and,

FIG. 9 is a fourth perspective view of the hair iron, the top prong having a recessed area at the tip not shown that is identical to the recessed area of the bottom prong.

The broken lines in FIG. 1 and 3–9 are for illustrative purposes only and form no part of the claimed design.

1 Claim, 3 Drawing Sheets



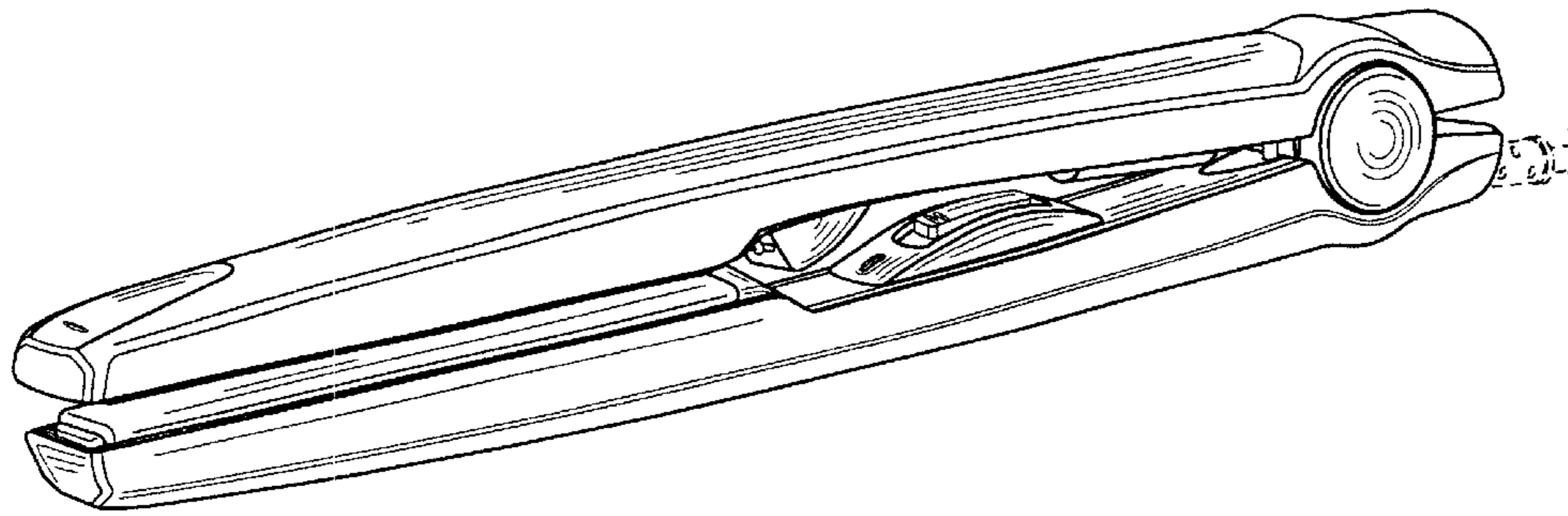


FIG. 1

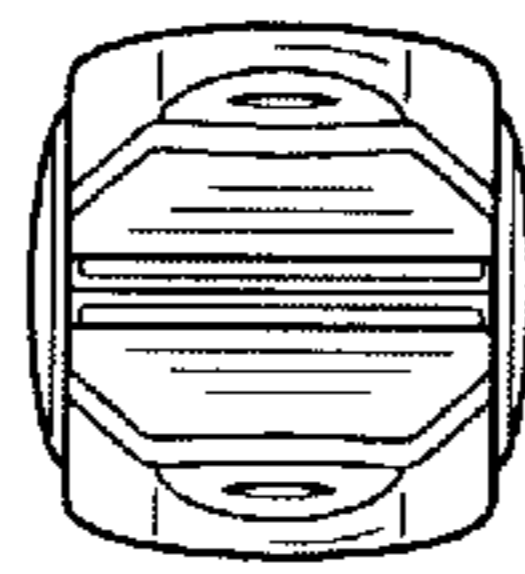


FIG. 2

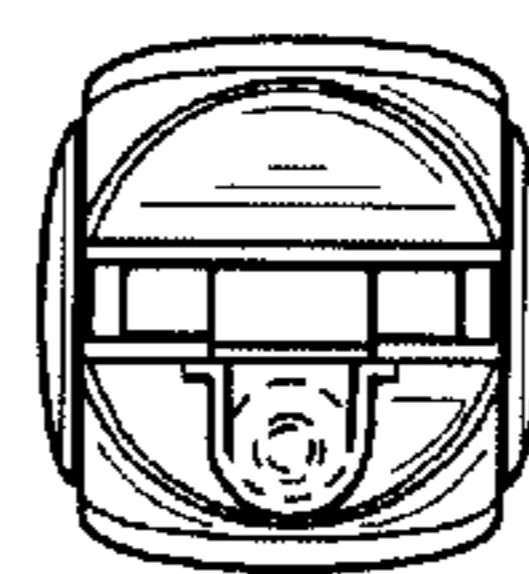


FIG. 3

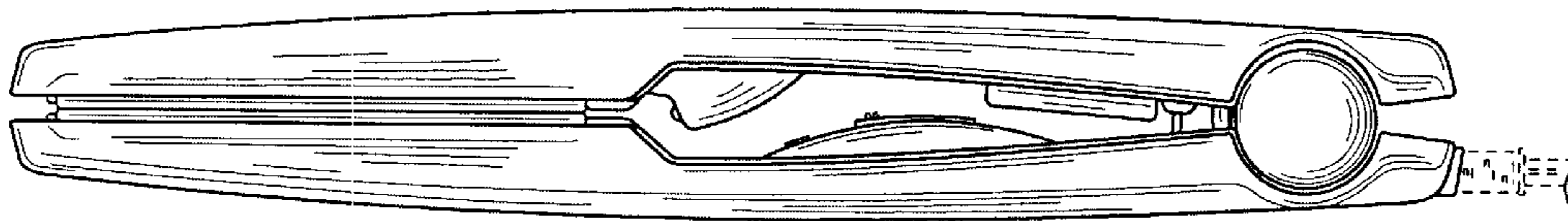


FIG. 4

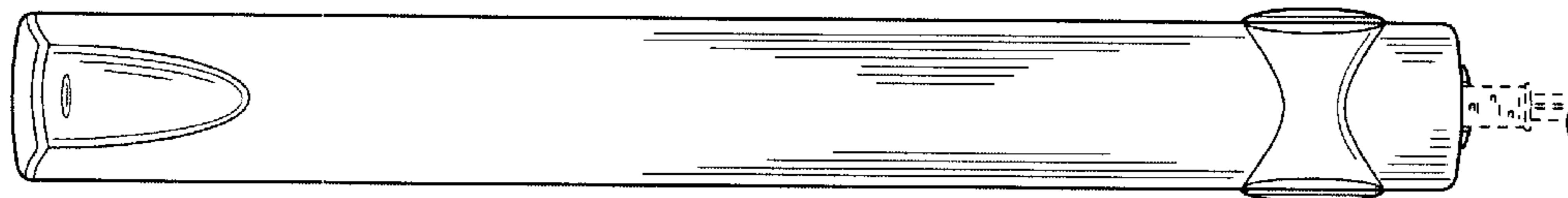


FIG. 5

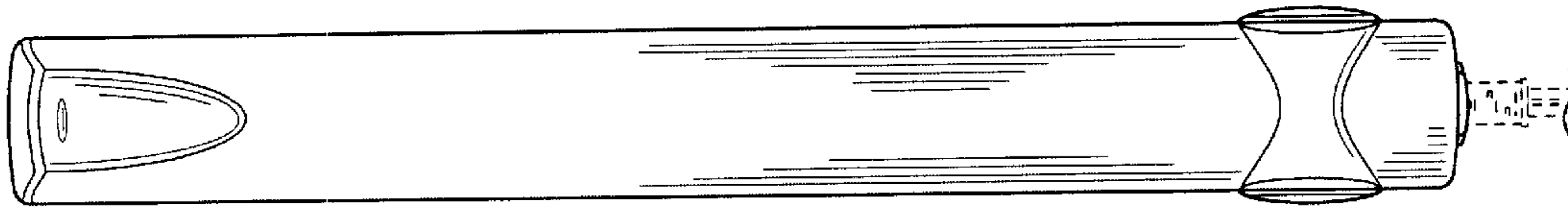


FIG. 6

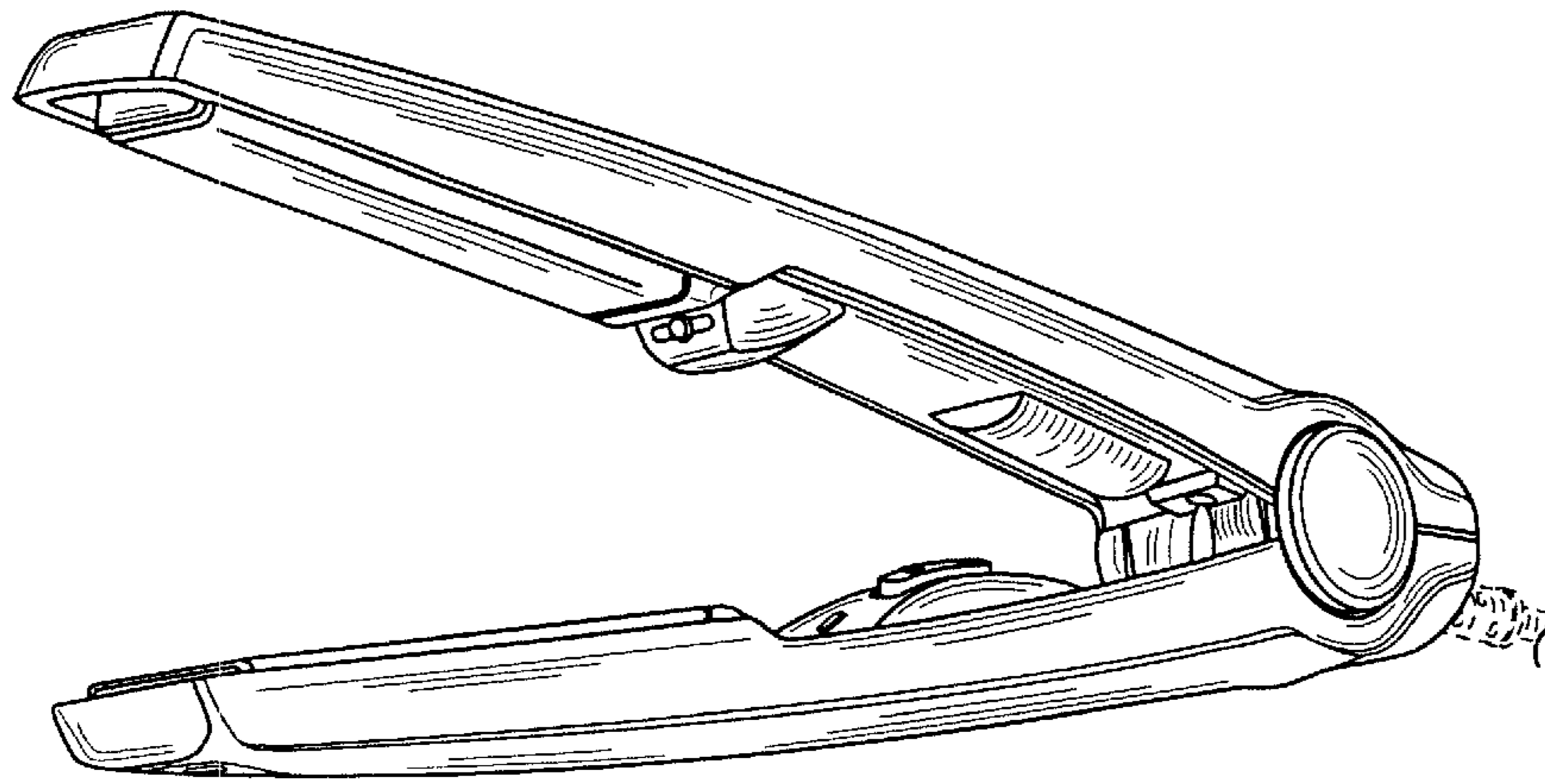


FIG. 7

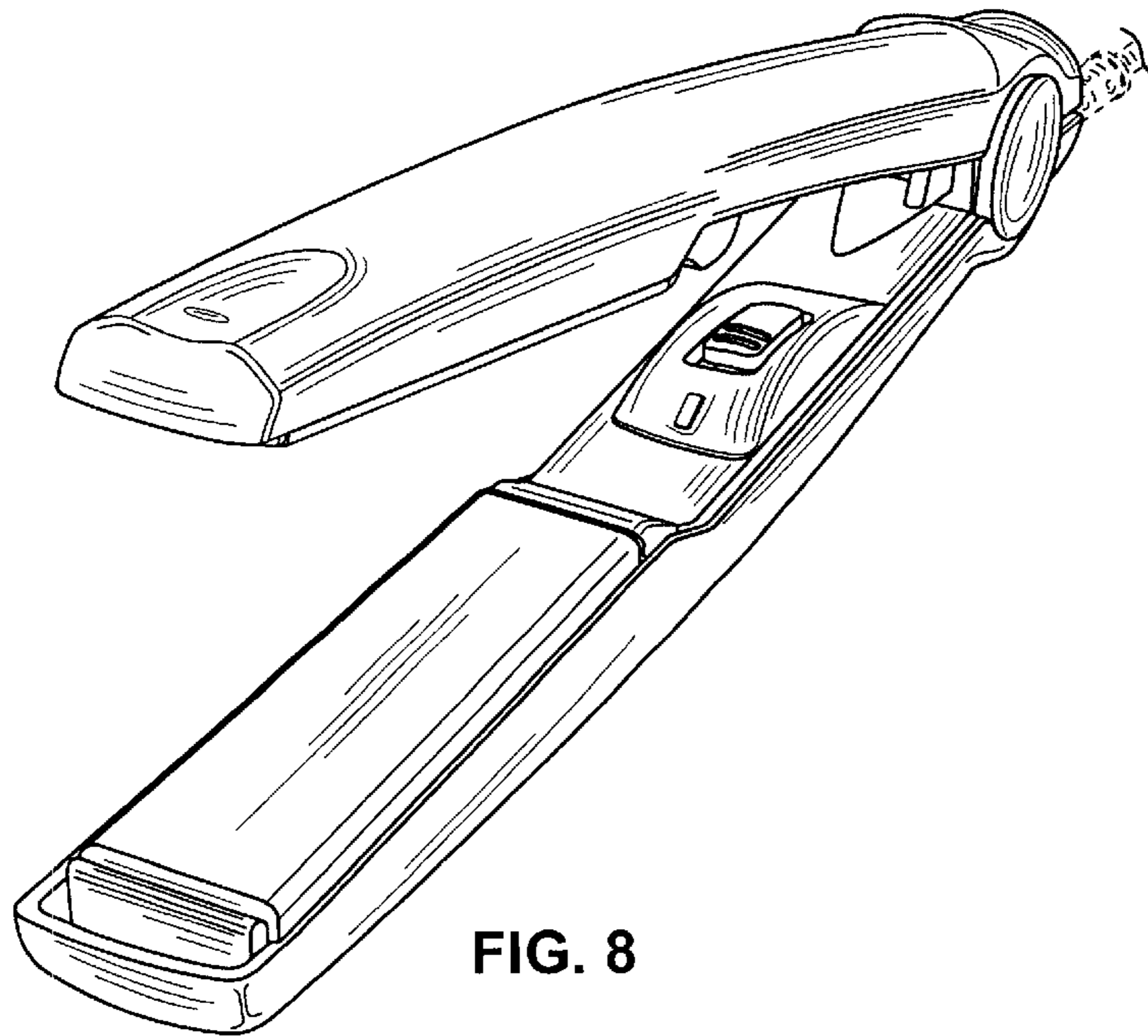


FIG. 8

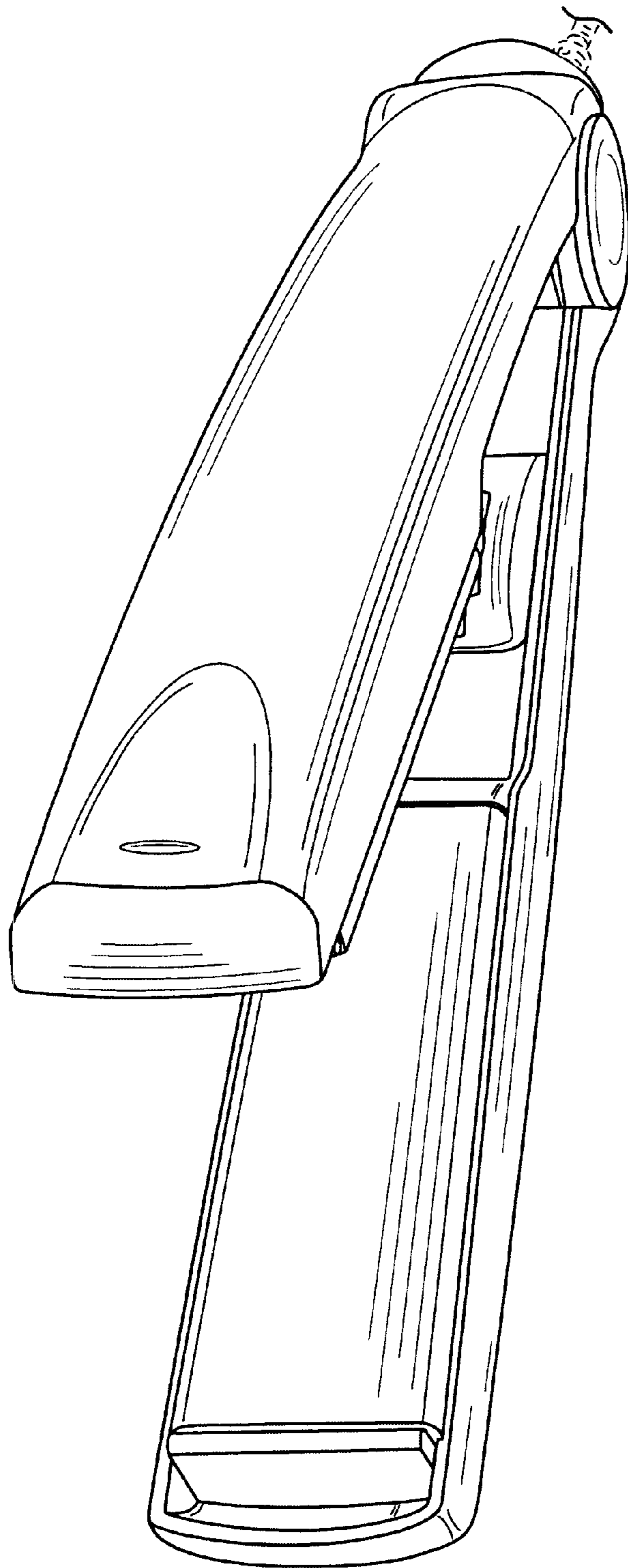


FIG. 9