



US00D535435S

(12) **United States Design Patent** (10) **Patent No.:** **US D535,435 S**
Bettis et al. (45) **Date of Patent:** **** Jan. 16, 2007**

(54) **ILLUMINATOR STORAGE SYSTEM**

(75) Inventors: **Peter J. Bettis**, Skaneateles, NY (US);
Susan E. Dubay, Syracuse, NY (US);
Scott G. Spanfelner, Camillus, NY
(US)

(73) Assignee: **Welch Allyn, Inc.**, Skaneateles Falls,
NY (US)

(**) Term: **14 Years**

(21) Appl. No.: **29/203,974**

(22) Filed: **Apr. 22, 2004**

(51) **LOC (8) Cl.** **26-99**

(52) **U.S. Cl.** **D26/138**

(58) **Field of Classification Search** D26/118,
D26/38, 138, 85, 26, 113, 119; D13/134,
D13/108; 206/573; 362/257, 362, 364, 365,
362/368, 376, 377

See application file for complete search history.

(56) **References Cited**

U.S. PATENT DOCUMENTS

D130,269 S	*	11/1941	Magenat	D13/134
2,905,779 A	*	9/1959	Schmier	200/51.17
4,198,108 A	*	4/1980	Bassetto	439/230
4,198,109 A	*	4/1980	Ustin	439/239
D311,597 S	*	10/1990	Poot	D26/118
D334,993 S	*	4/1993	Lee	D26/38

D337,851 S	*	7/1993	Gary	D26/138
D351,675 S	*	10/1994	Sharrah et al.	D26/38
5,413,223 A	*	5/1995	Kang	206/573
5,622,424 A	*	4/1997	Brady	362/644
D388,395 S	*	12/1997	Henrici	D13/134
D397,489 S	*	8/1998	Alexander	D26/118
D400,166 S	*	10/1998	Concari et al.	D13/108
D420,326 S	*	2/2000	Henrici	D13/134
D422,744 S	*	4/2000	Losole, III	D26/138
D441,468 S	*	5/2001	Bing	D26/26

* cited by examiner

Primary Examiner—Freda S. Nunn

Assistant Examiner—Kevin K. Rudzinski

(74) *Attorney, Agent, or Firm*—Peter J. Bilinski

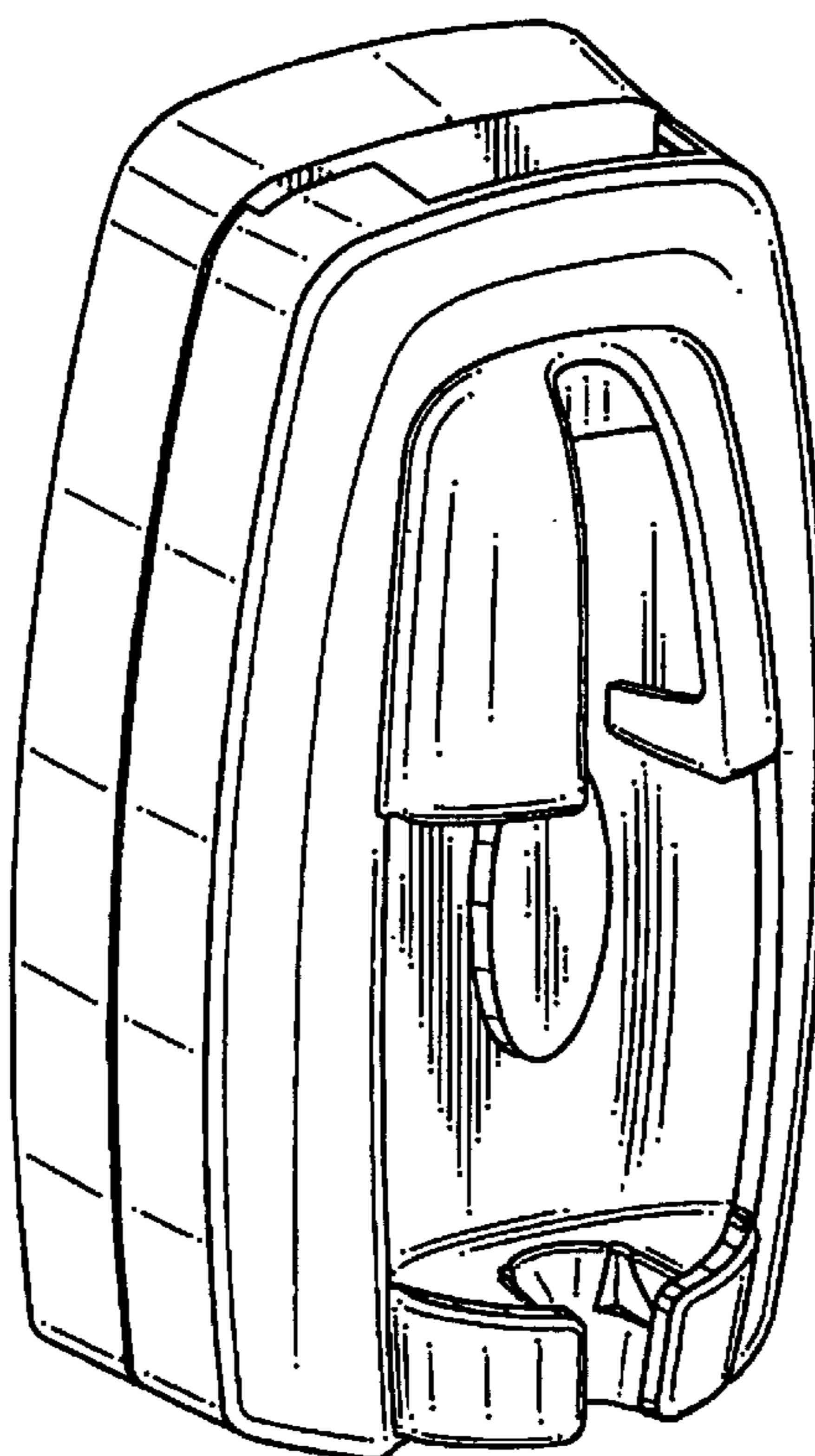
(57) **CLAIM**

The ornamental design for an illuminator storage system, as shown and described.

DESCRIPTION

FIG. 1 is a front perspective view of an illuminator storage system, illustrating my new Design;
FIG. 2 is a rear perspective view thereof;
FIG. 3 is a front view thereof;
FIG. 4 is a right side elevation thereof;
FIG. 5 is a left side elevation view thereof;
FIG. 6 is a rear view thereof;
FIG. 7 is a top plan view thereof; and,
FIG. 8 is a bottom view.

1 Claim, 4 Drawing Sheets



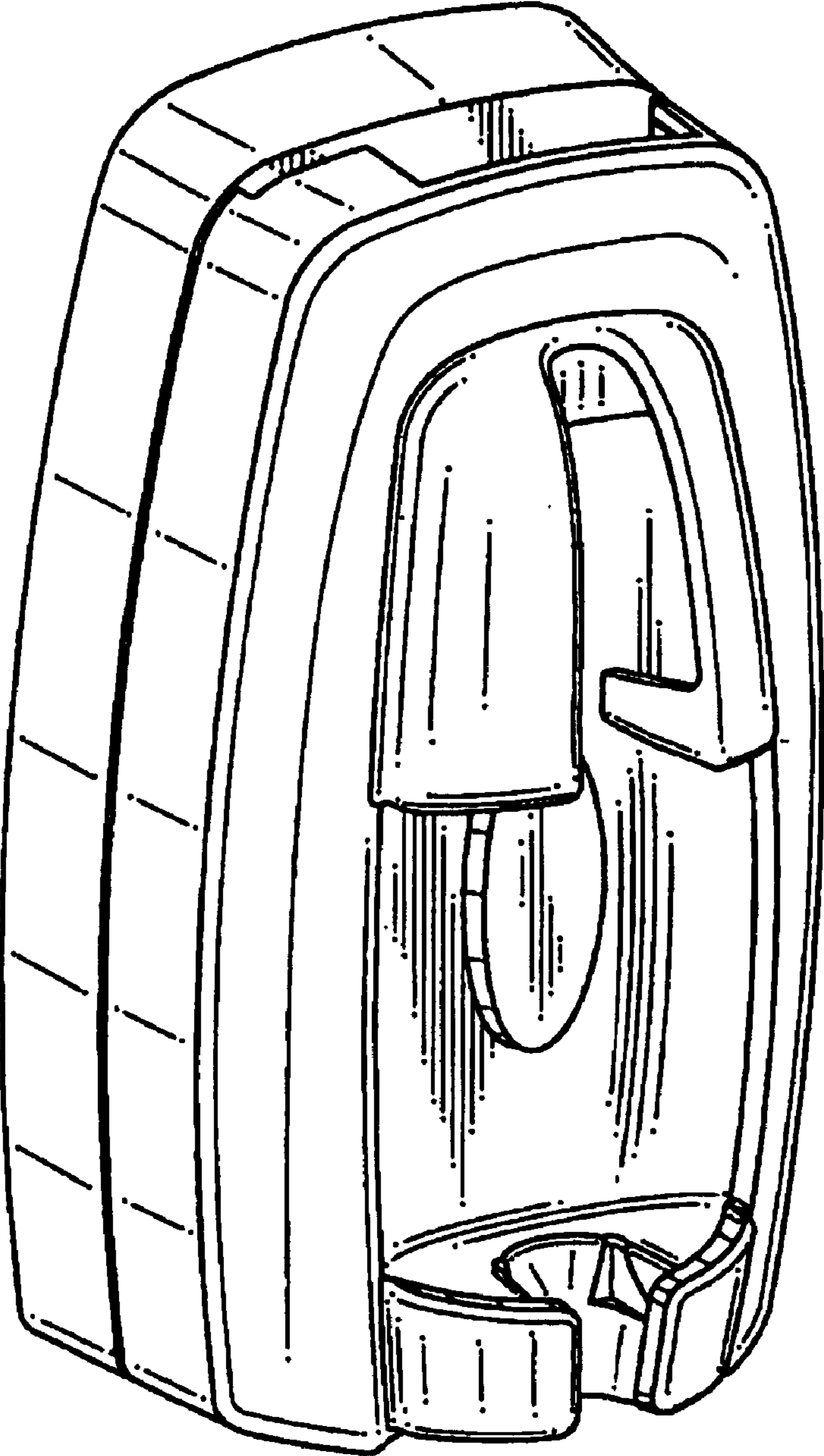


FIG. 1

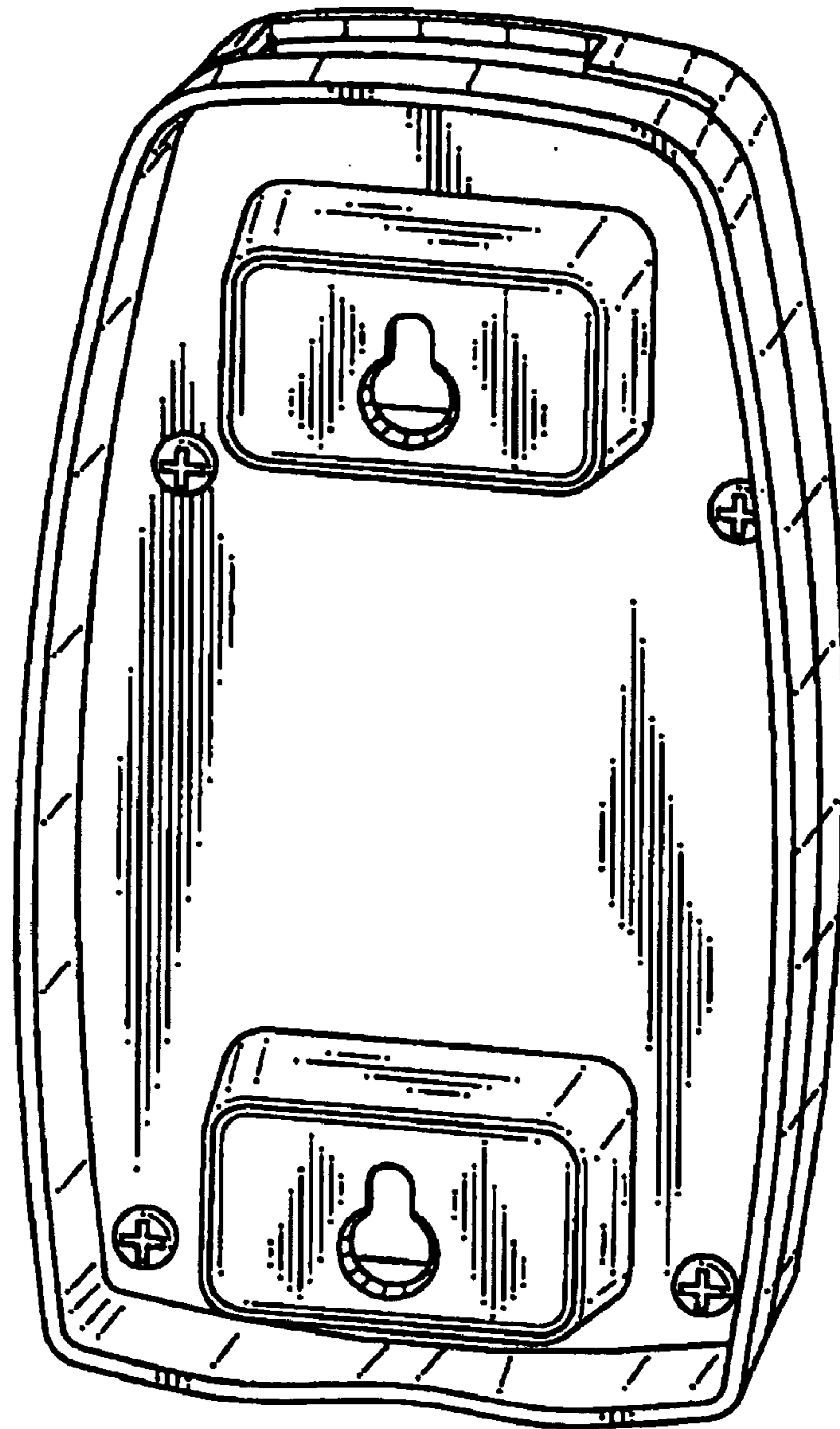


FIG.2

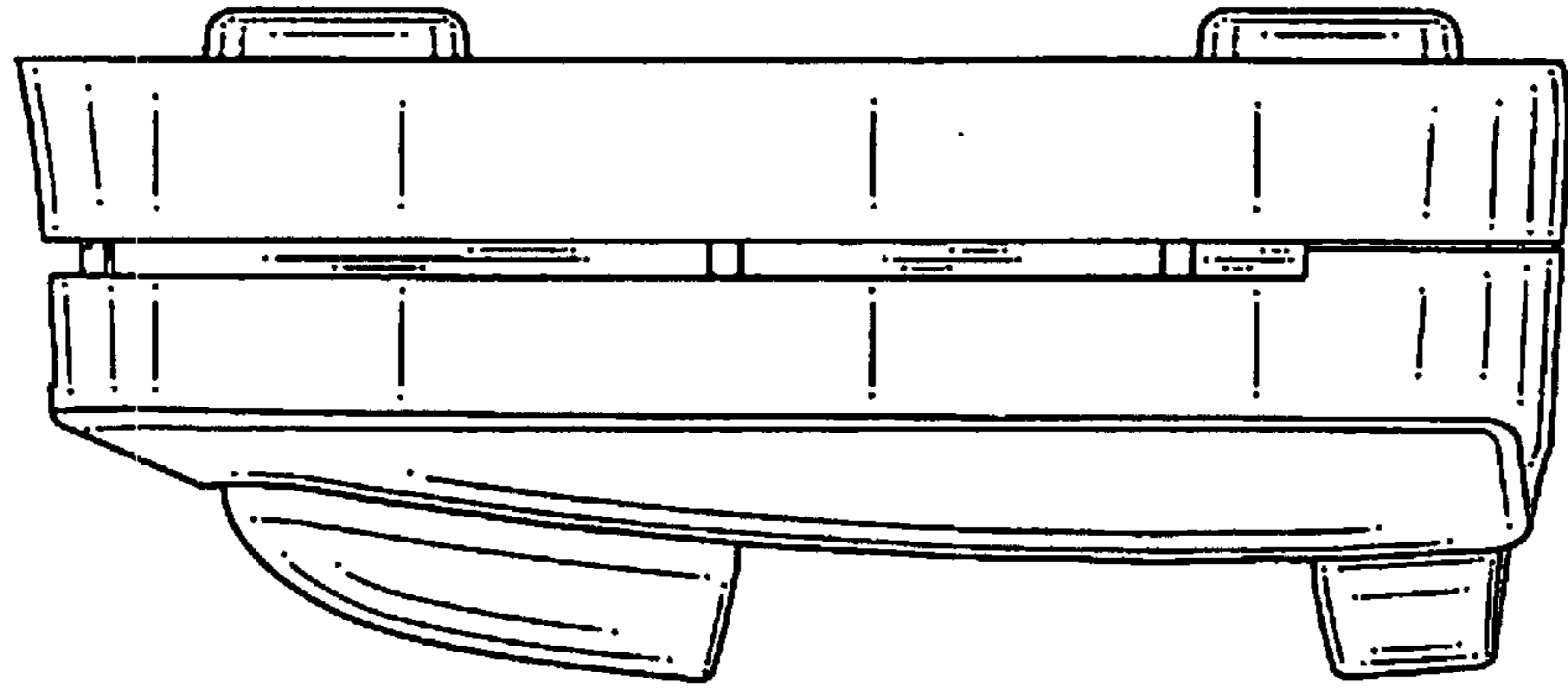


FIG. 5

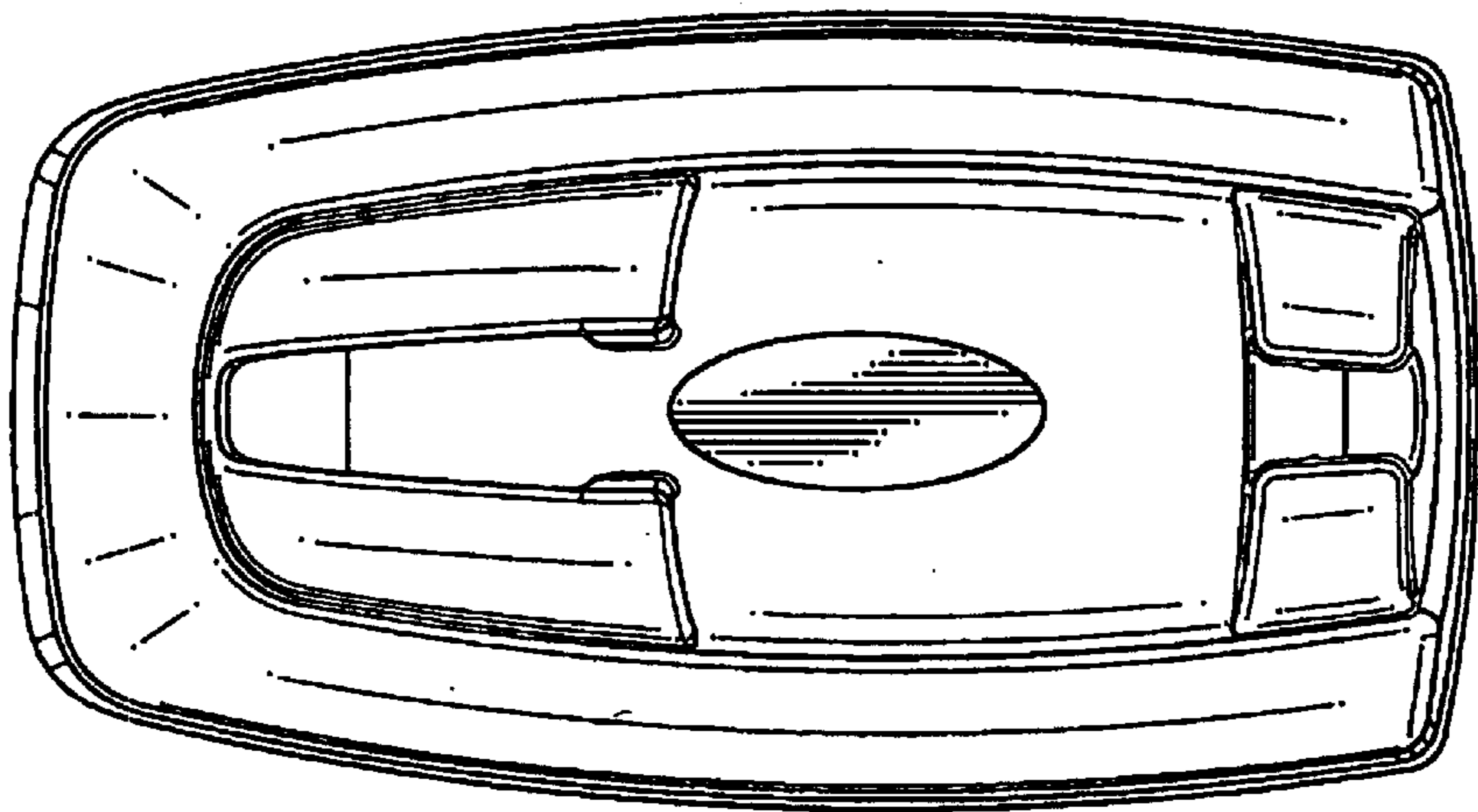


FIG. 3

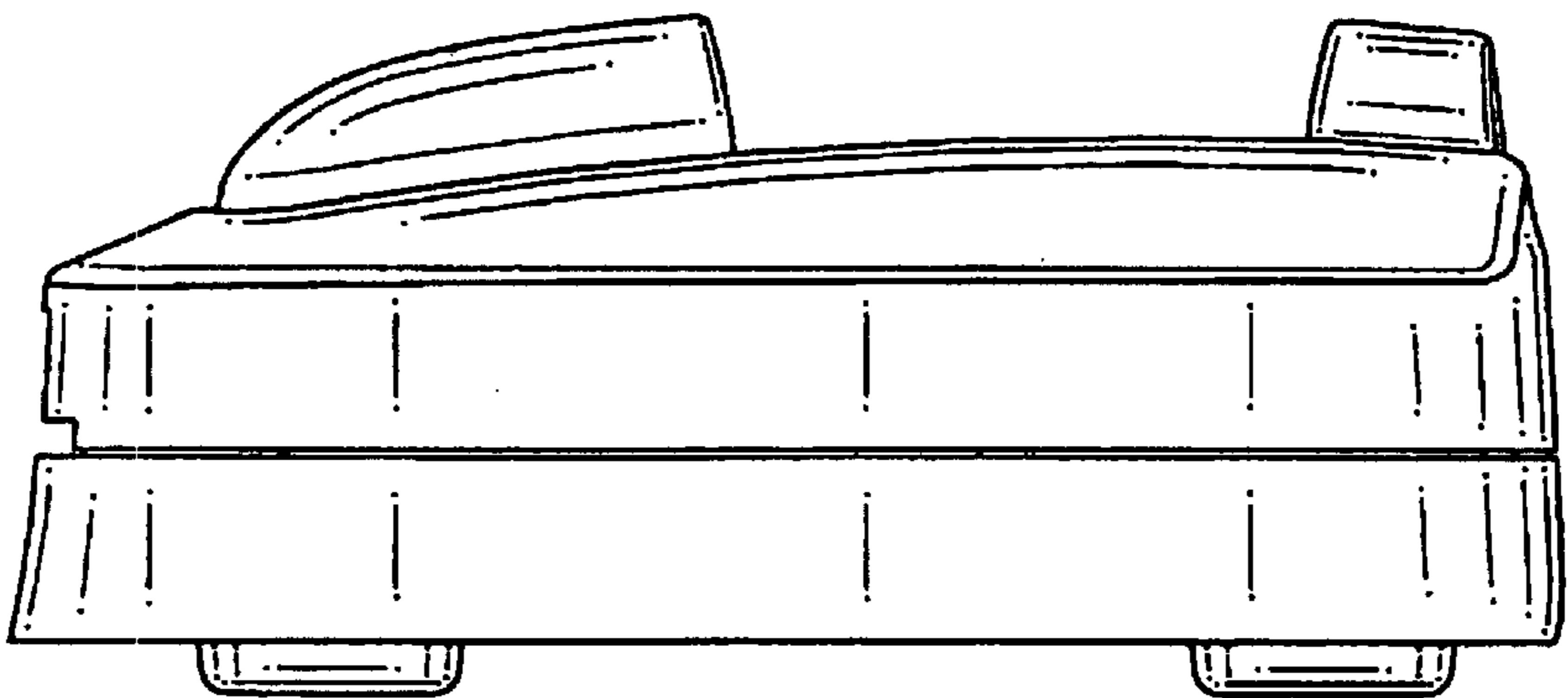


FIG. 4

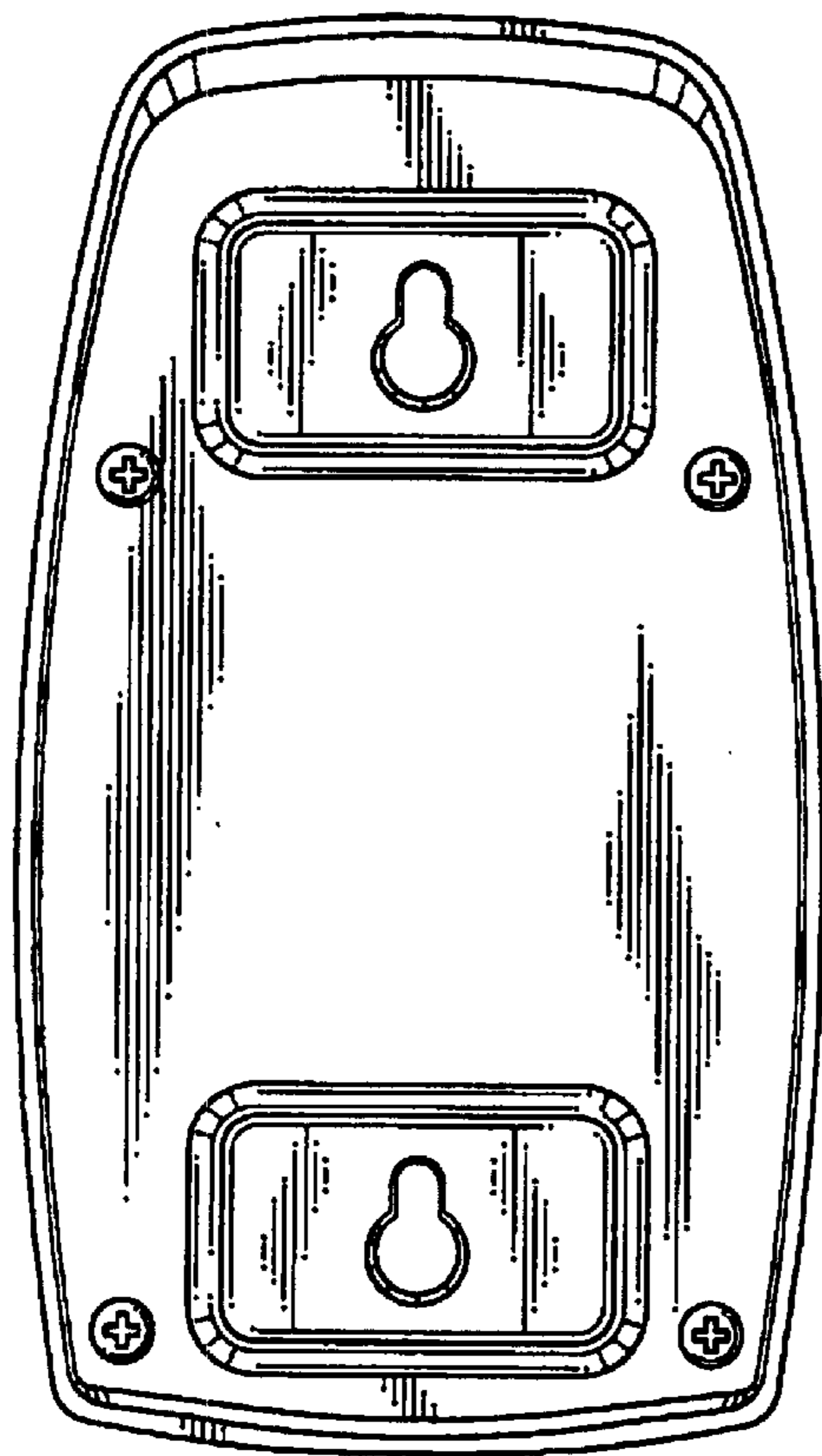


FIG. 6

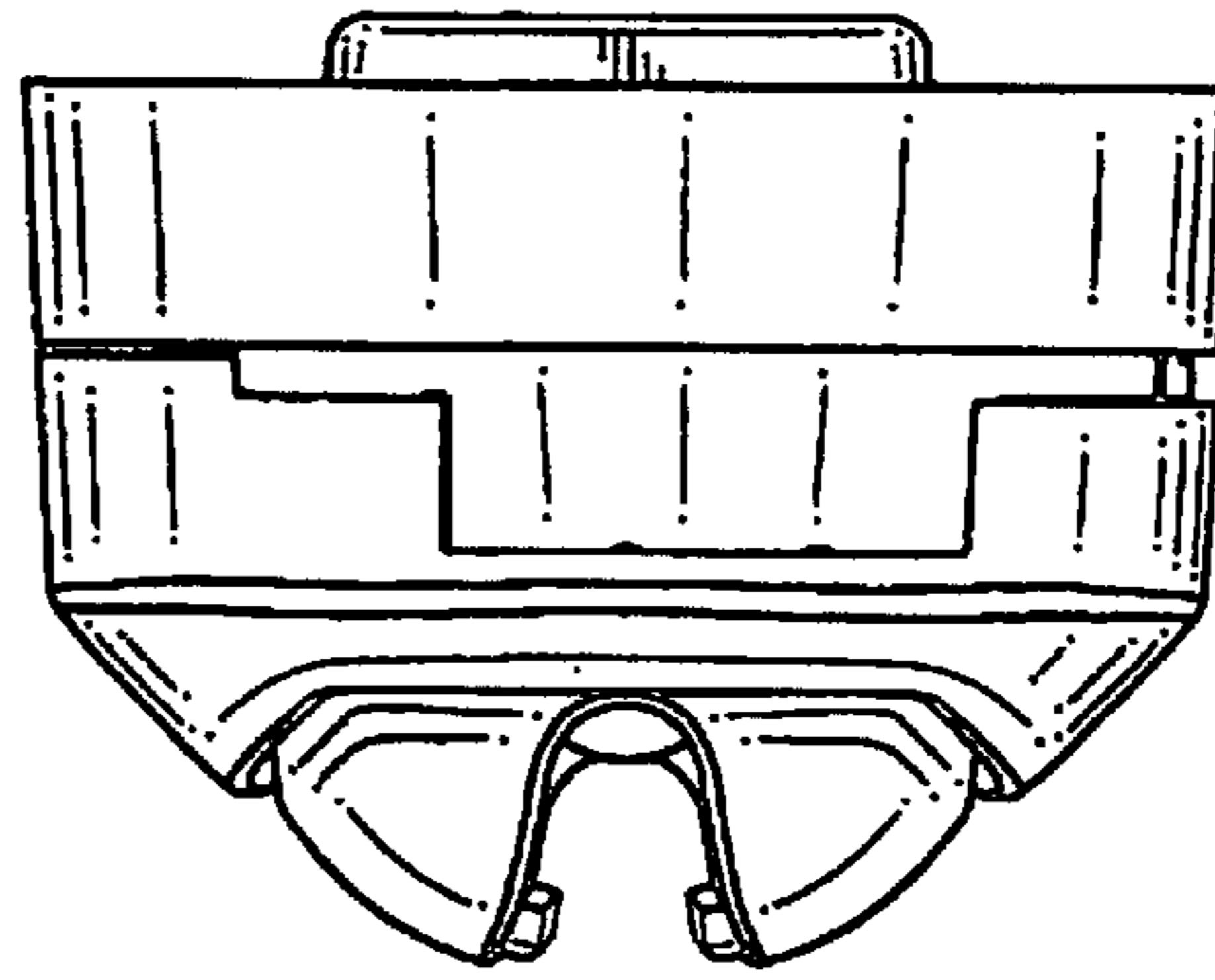


FIG. 7

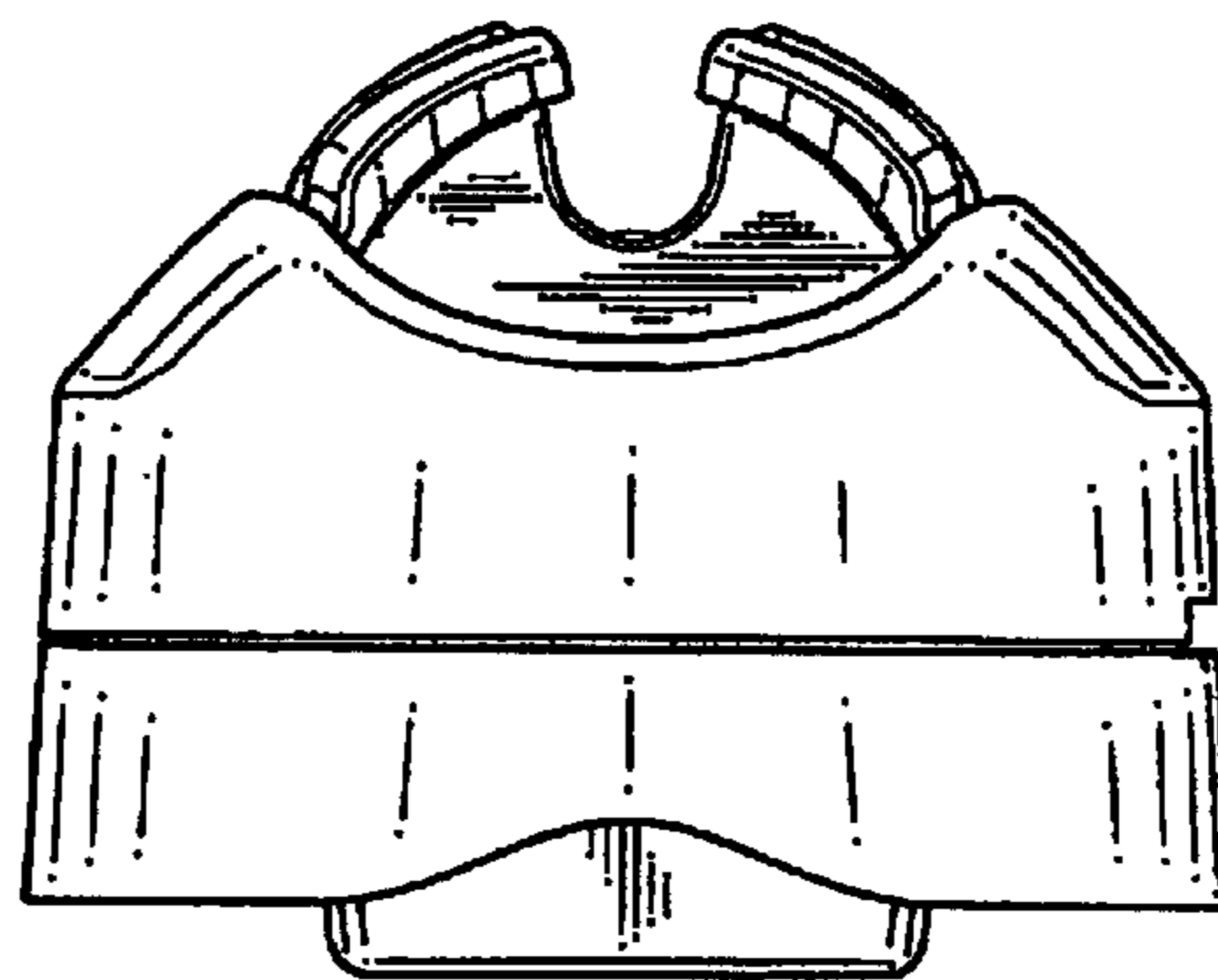


FIG. 8