



US00D535432S

(12) **United States Design Patent**
Diffrient

(10) **Patent No.:** **US D535,432 S**
(45) **Date of Patent:** **** Jan. 16, 2007**

(54) **LAMP SHADE**

- (75) Inventor: **Niels Diffrient**, Ridgefield, CT (US)
- (73) Assignee: **Humanscale Corporation**, New York, NY (US)
- (**) Term: **14 Years**
- (21) Appl. No.: **29/208,852**
- (22) Filed: **Jul. 7, 2004**
- (51) **LOC (8) Cl.** **26-99**
- (52) **U.S. Cl.** **D26/118**
- (58) **Field of Classification Search** D26/24,
D26/63, 128-138, 118, 26, 72, 62, 65, 1,
D26/2, 3; 313/315; 362/326, 333, 335, 341,
362/269, 340, 277, 96
See application file for complete search history.

(56) **References Cited**

U.S. PATENT DOCUMENTS

D68,602 S * 10/1925 Spencer D26/128

(Continued)

OTHER PUBLICATIONS

Scandanavian Modern, M. Englund et al., Ryland Peters & Small, pub. 2003, ISBN 1 84172 411 4, 2 pages.
Archimoon Classic; <http://www.flos.net/singlelamp.jsp?back=3189&lamp=4901>; Jul. 7, 2004, 1 page.
Archimoon Eco; <http://www.flos.net/singlelamp.jsp?back=3165&lamp=4913>; Jul. 7, 2004, 1 page.

(Continued)

Primary Examiner—Freda S. Nunn
Assistant Examiner—Kevin K. Rudzinski
 (74) *Attorney, Agent, or Firm*—Alston & Bird LLP

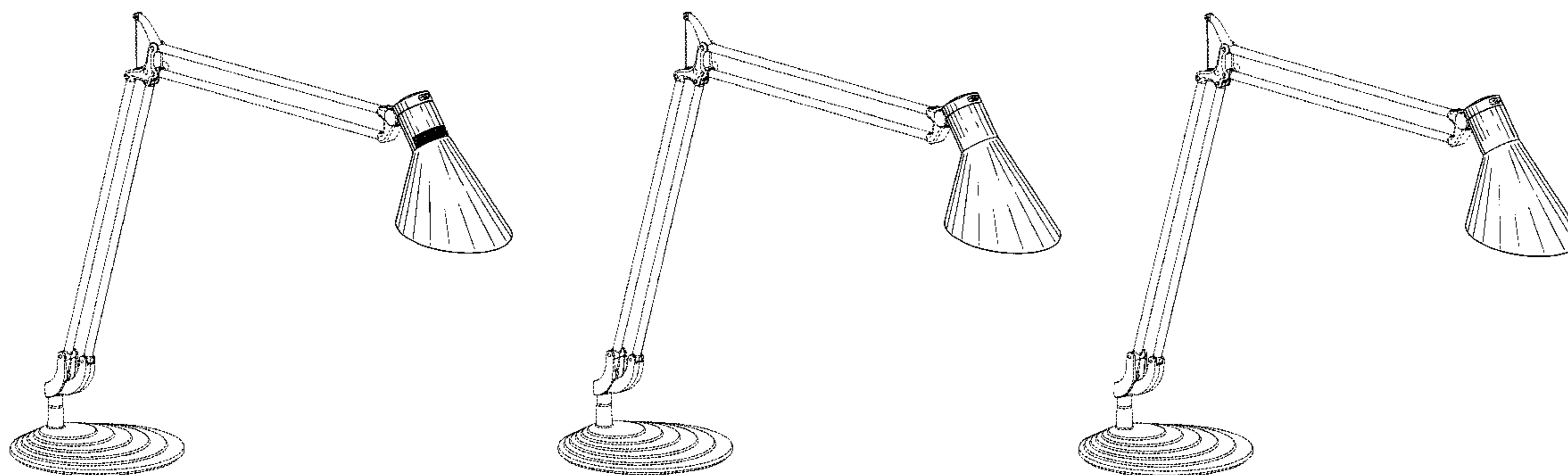
(57) **CLAIM**

The ornamental design for a lamp shade, as shown and described.

DESCRIPTION

FIG. 1 is a perspective view of a lamp shade according to one embodiment of the present invention;
 FIG. 2 is a front elevation view of the lamp shade shown in FIG. 1;
 FIG. 3 is a right side elevation view of the lamp shade shown in FIG. 1, the left side being a mirror image thereof;
 FIG. 4 is a top elevation view of the lamp shade shown in FIG. 1;
 FIG. 5 is a bottom elevation view of the lamp shade shown in FIG. 1;
 FIG. 6 is a rear elevation view of the lamp shade shown in FIG. 1;
 FIG. 7 is a perspective view of a lamp shade according to a second embodiment of the present invention;
 FIG. 8 is a front elevation view of the lamp shade shown in FIG. 7;
 FIG. 9 is a right side elevation view of the lamp shade shown in FIG. 7, the left side being a mirror image thereof;
 FIG. 10 is a top elevation view of the lamp shade shown in FIG. 7;
 FIG. 11 is a bottom elevation view of the lamp shade shown in FIG. 7;
 FIG. 12 is a rear elevation view of the lamp shade shown in FIG. 7;
 FIG. 13 is a perspective view of a lamp shade according to a third embodiment of the present invention;
 FIG. 14 is a front elevation view of the lamp shade shown in FIG. 13;
 FIG. 15 is a right side elevation view of the lamp shade shown in FIG. 13, the left side being a mirror image thereof;
 FIG. 16 is a top elevation view of the lamp shade shown in FIG. 13;
 FIG. 17 is a bottom elevation view of the lamp shade shown in FIG. 13; and,
 FIG. 18 is a rear elevation view of the lamp shade shown in FIG. 13.
 The broken lines shown herein are for illustrative purposes only and form no part of the claimed design.

1 Claim, 18 Drawing Sheets



US D535,432 S

Page 2

U.S. PATENT DOCUMENTS

D194,648 S * 2/1963 Rosten D19/77
3,178,569 A * 4/1965 Martin 362/296
D212,968 S * 12/1968 Schwartz D26/63
D217,063 S * 3/1970 Daito D26/107
D280,935 S * 10/1985 Alcorn D26/26
D286,682 S * 11/1986 Greenlee D26/63
D312,891 S 12/1990 Starck
5,008,793 A 4/1991 Copeland
D329,916 S 9/1992 Copeland
D382,362 S * 8/1997 Huang D26/65
D392,406 S * 3/1998 Morrow et al. D26/65
D435,683 S * 12/2000 Hoffbauer D26/135
D435,932 S * 1/2001 Hiller et al. D26/118

D446,876 S * 8/2001 Porter D26/72
D457,672 S * 5/2002 Tsai D26/62
D458,401 S 6/2002 Diffrient
D469,202 S * 1/2003 Tsai D26/65
D473,668 S * 4/2003 Hille et al. D26/63

OTHER PUBLICATIONS

Kelvin Adjustable; <http://www.design-conscious.co.uk/mall/designconscious/products/product-71667.stm>; Jul. 7, 2004, 1 page.
http://www.hamer-elektro.no/bilder/36765_Kelvin.jpg, Jul. 7, 2004, 1 page.

* cited by examiner

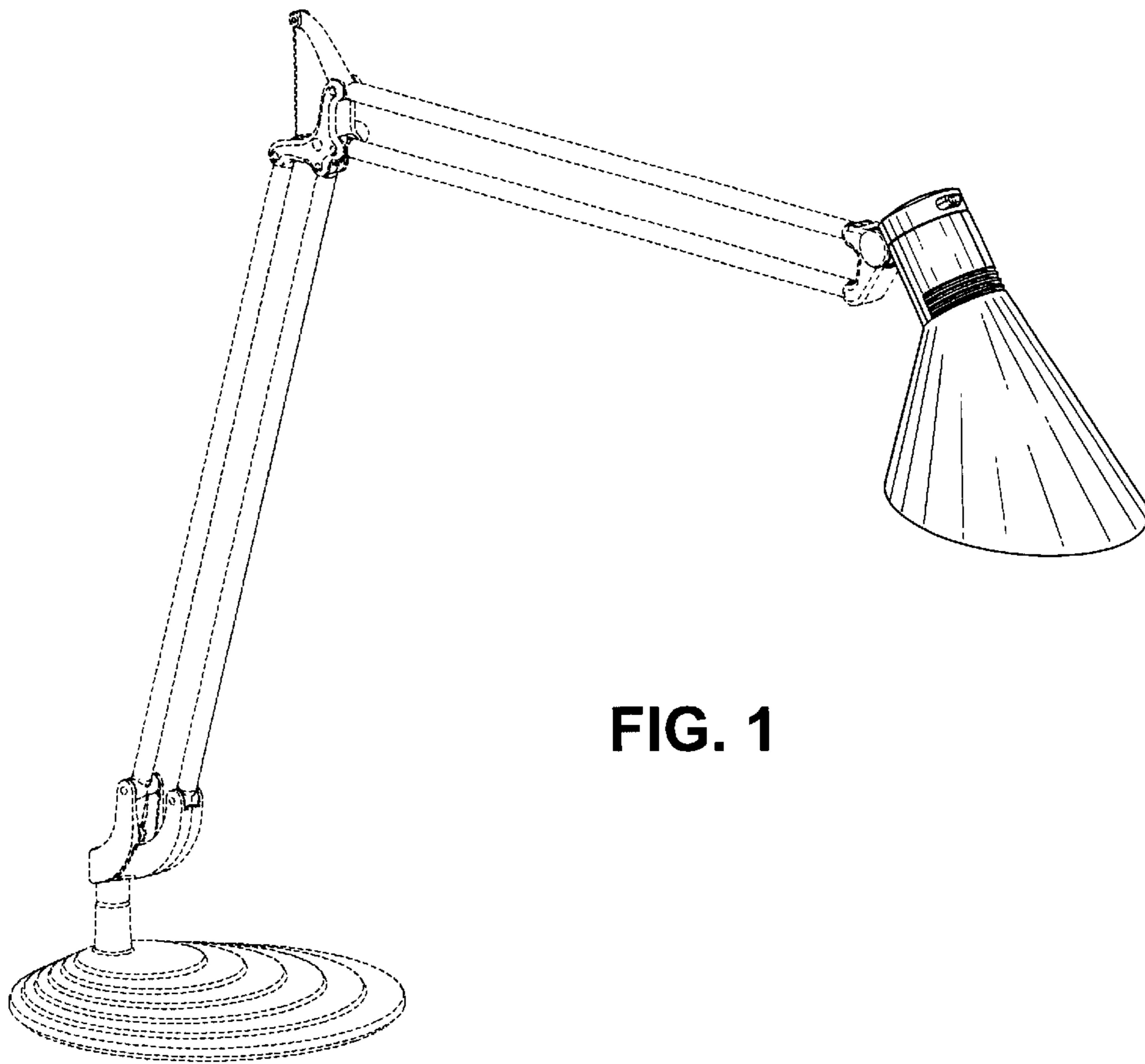


FIG. 1

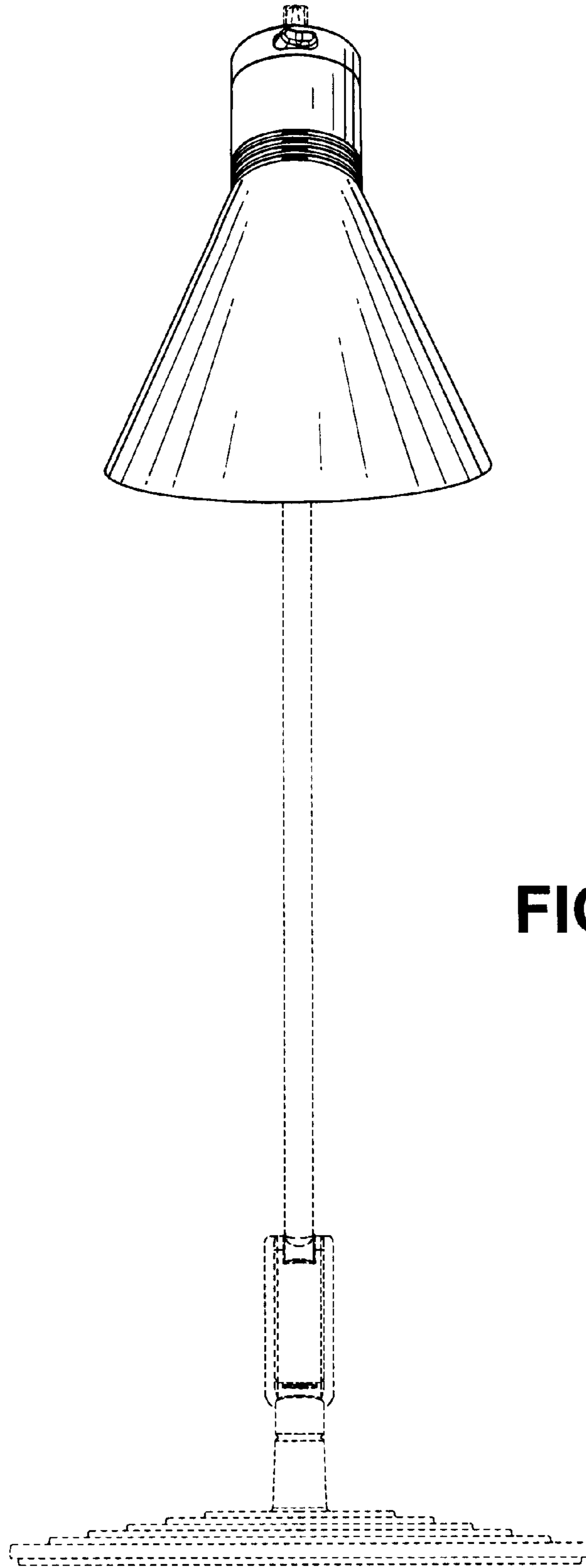


FIG. 2

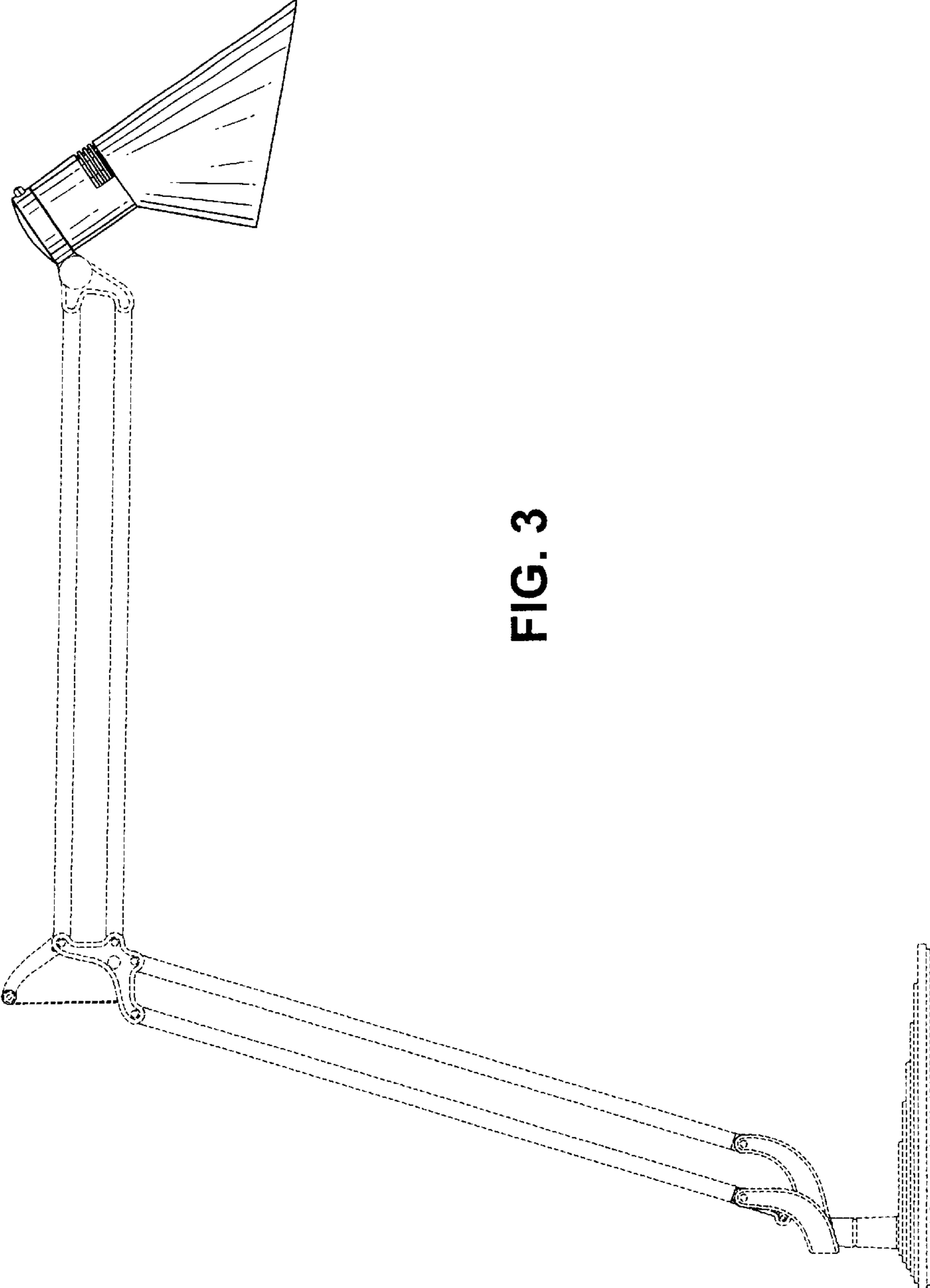


FIG. 3

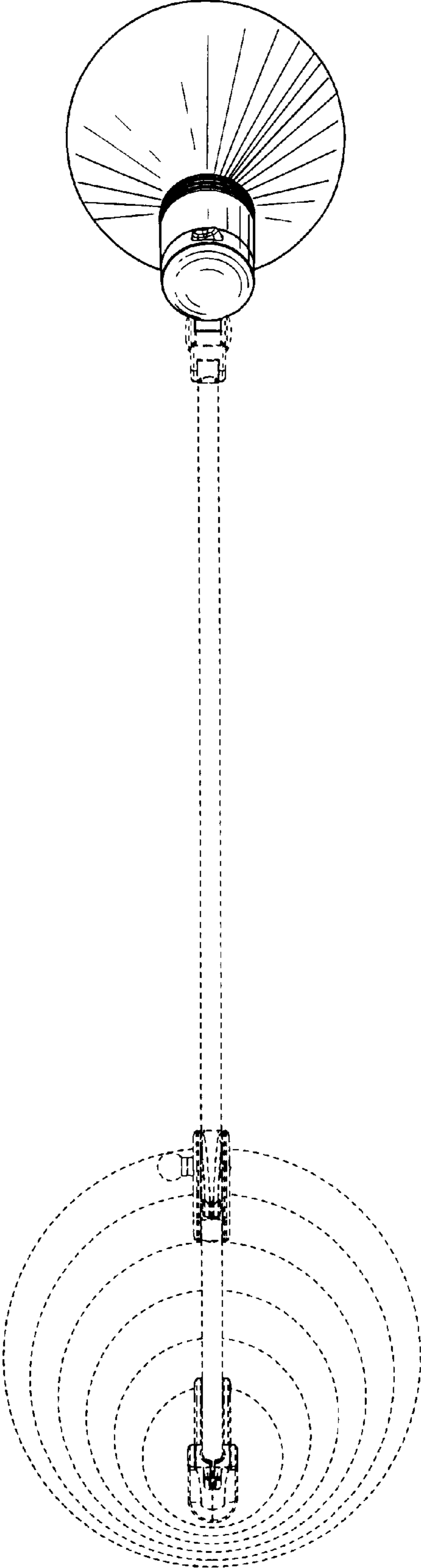


FIG. 4

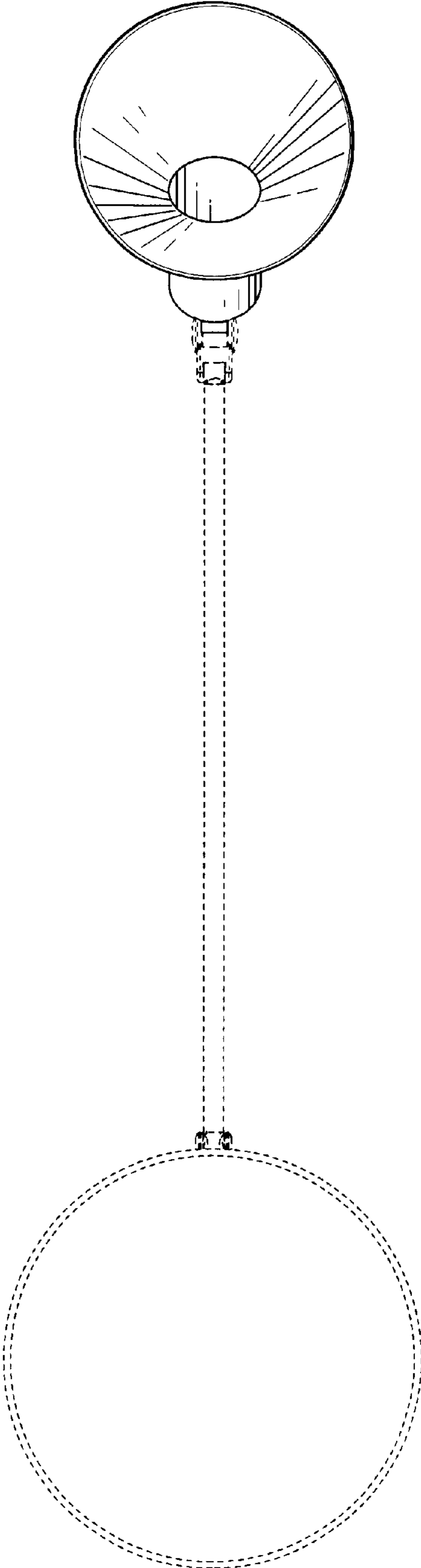


FIG. 5

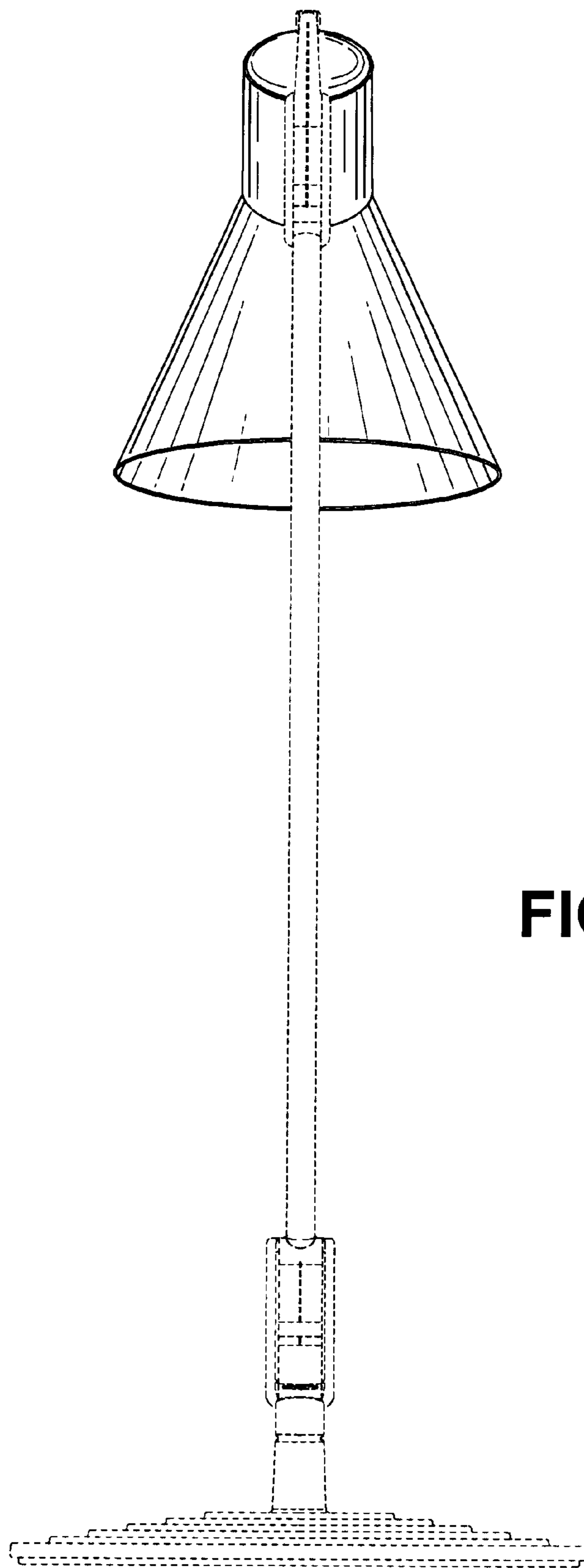


FIG. 6

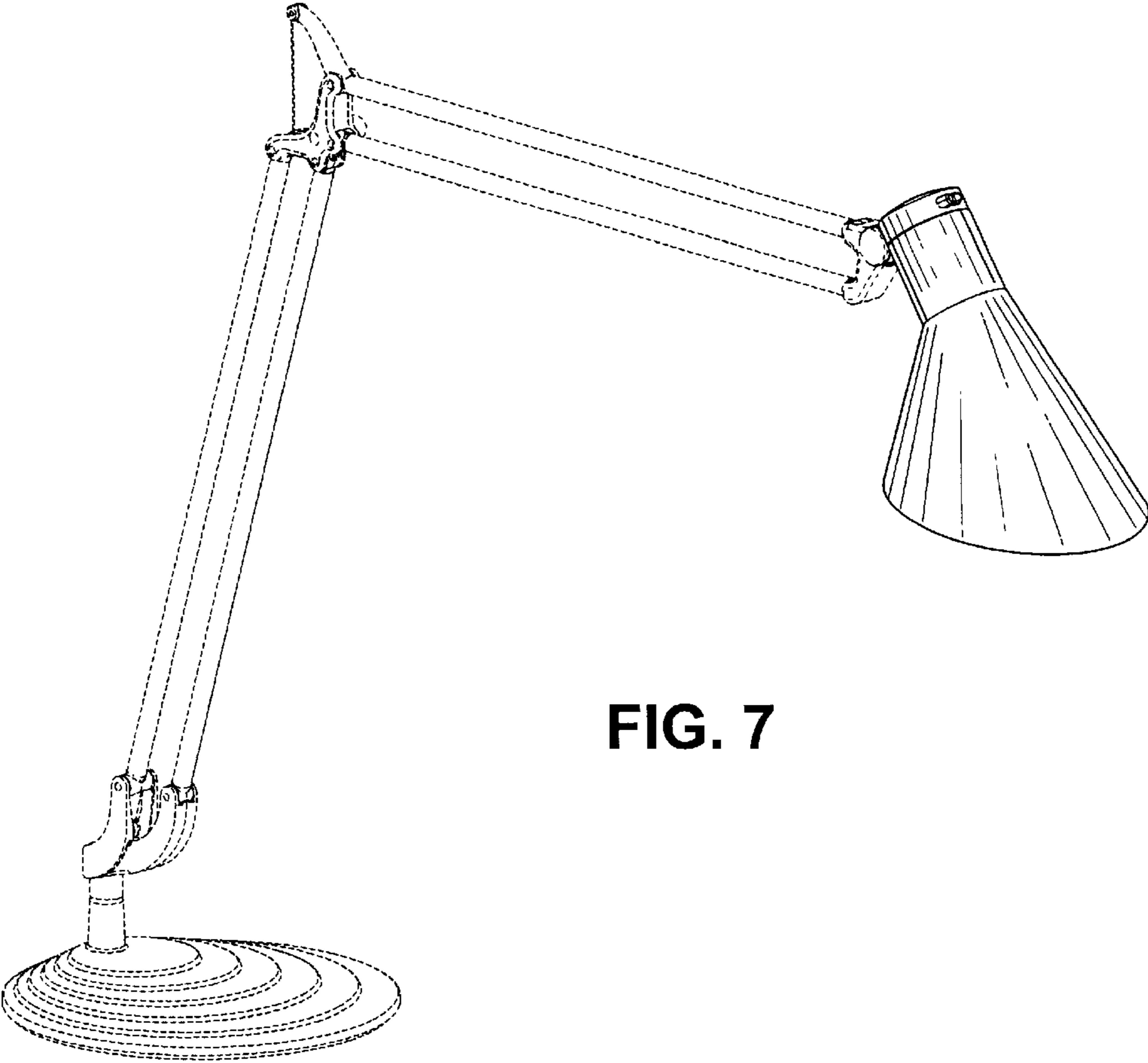


FIG. 7

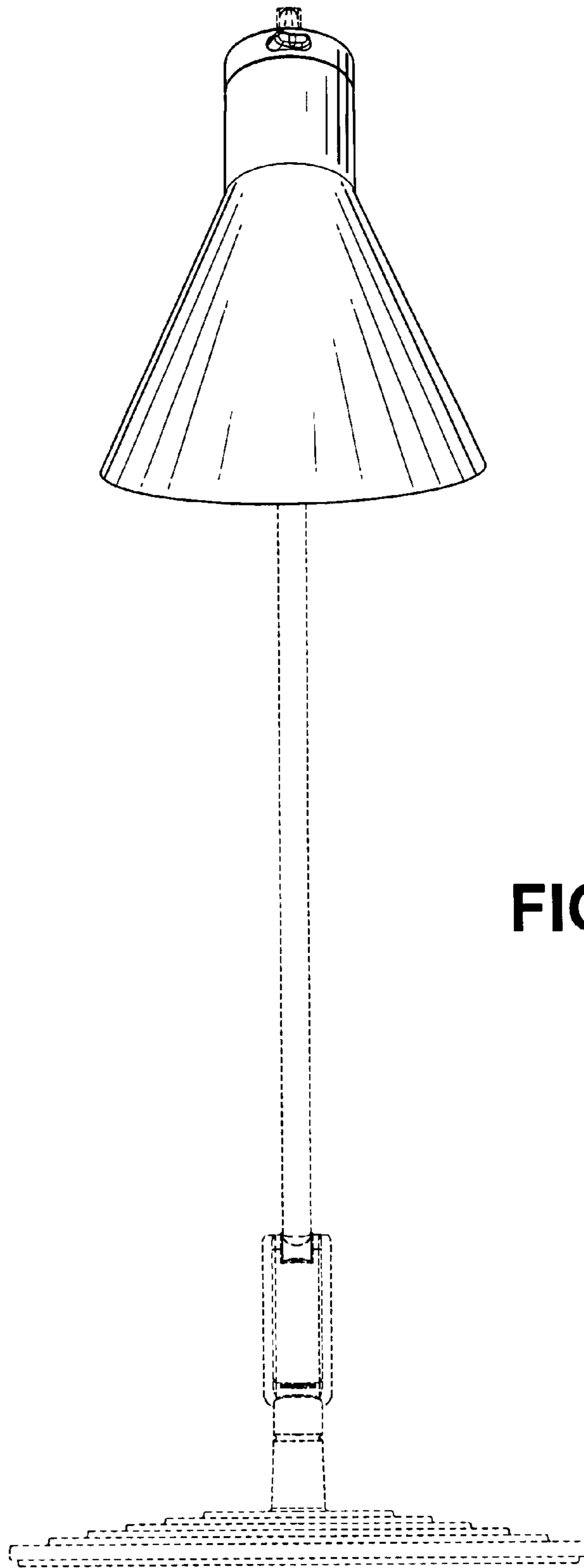


FIG. 8

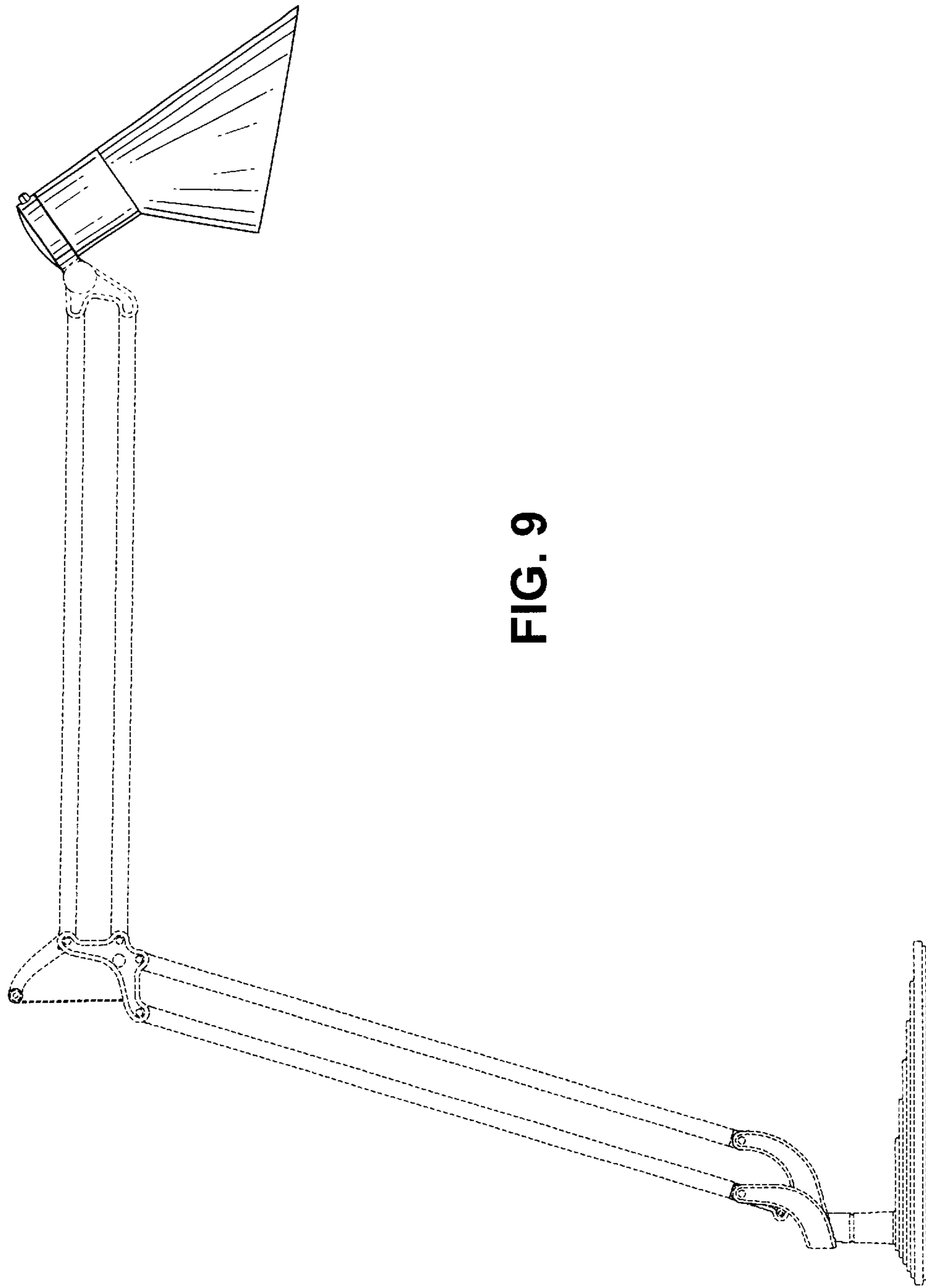


FIG. 9

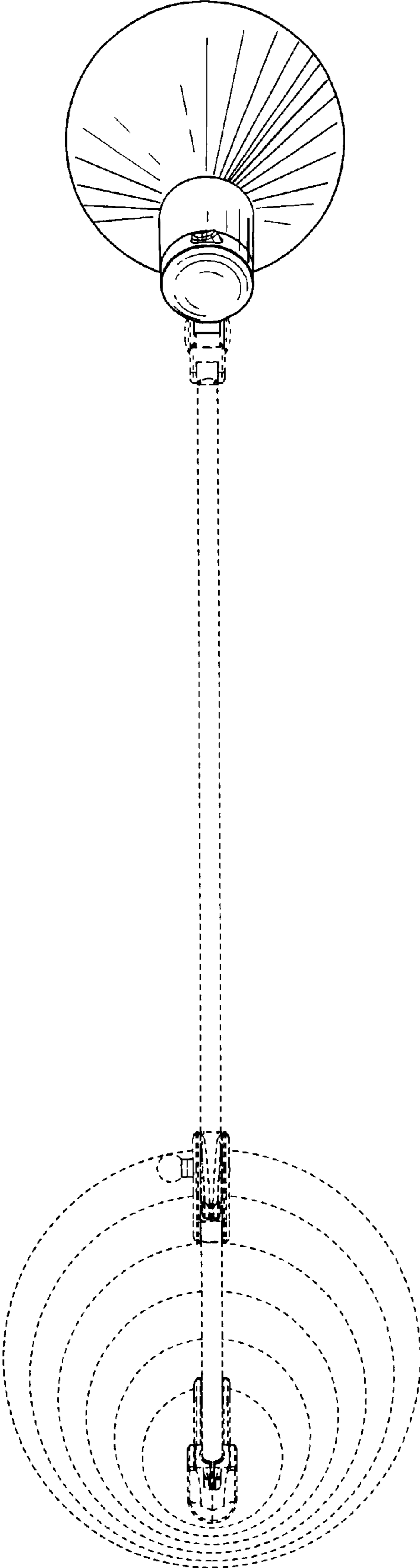


FIG. 10

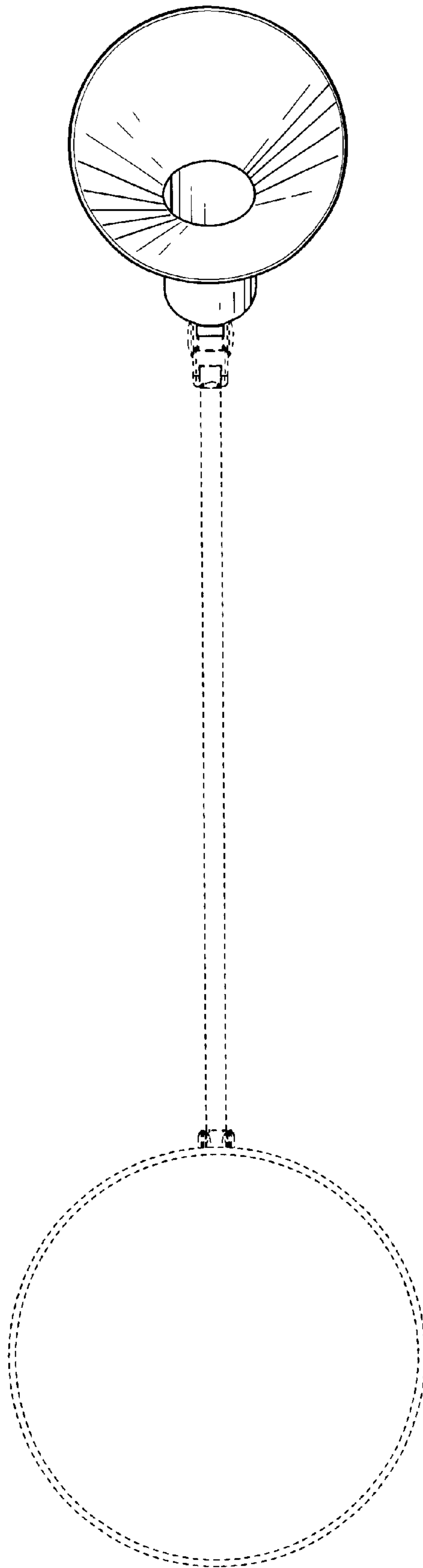


FIG. 11

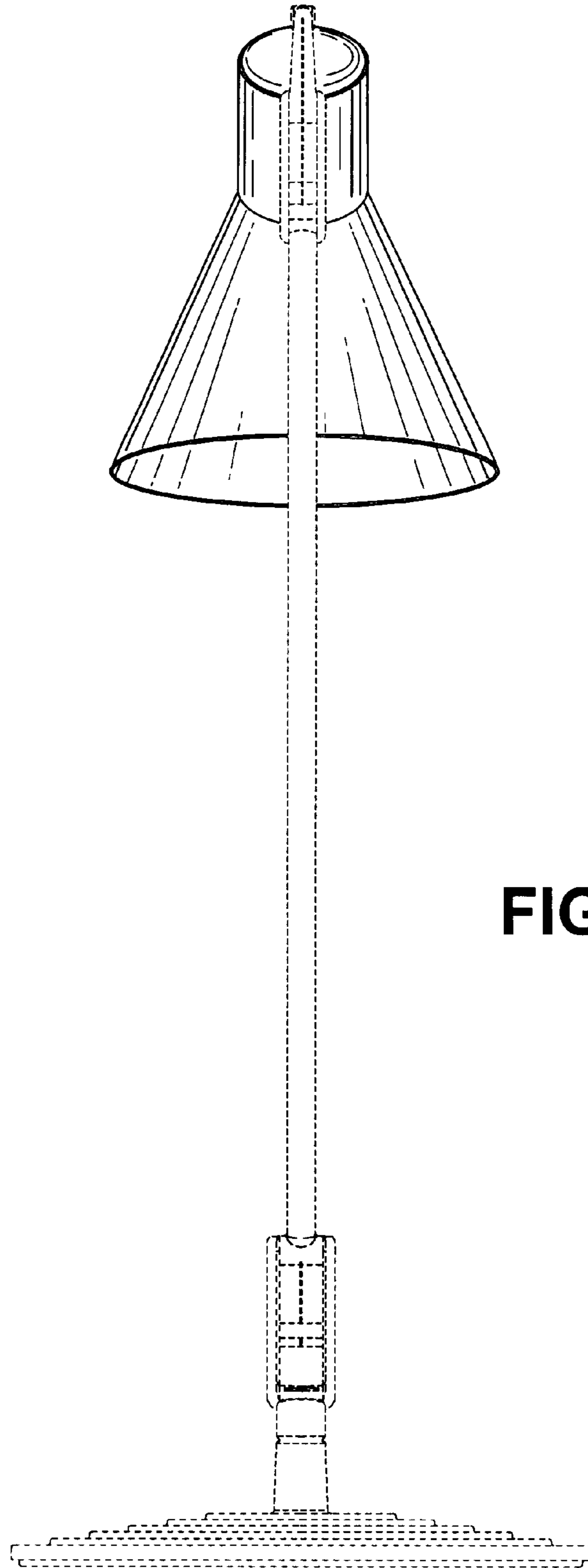


FIG. 12

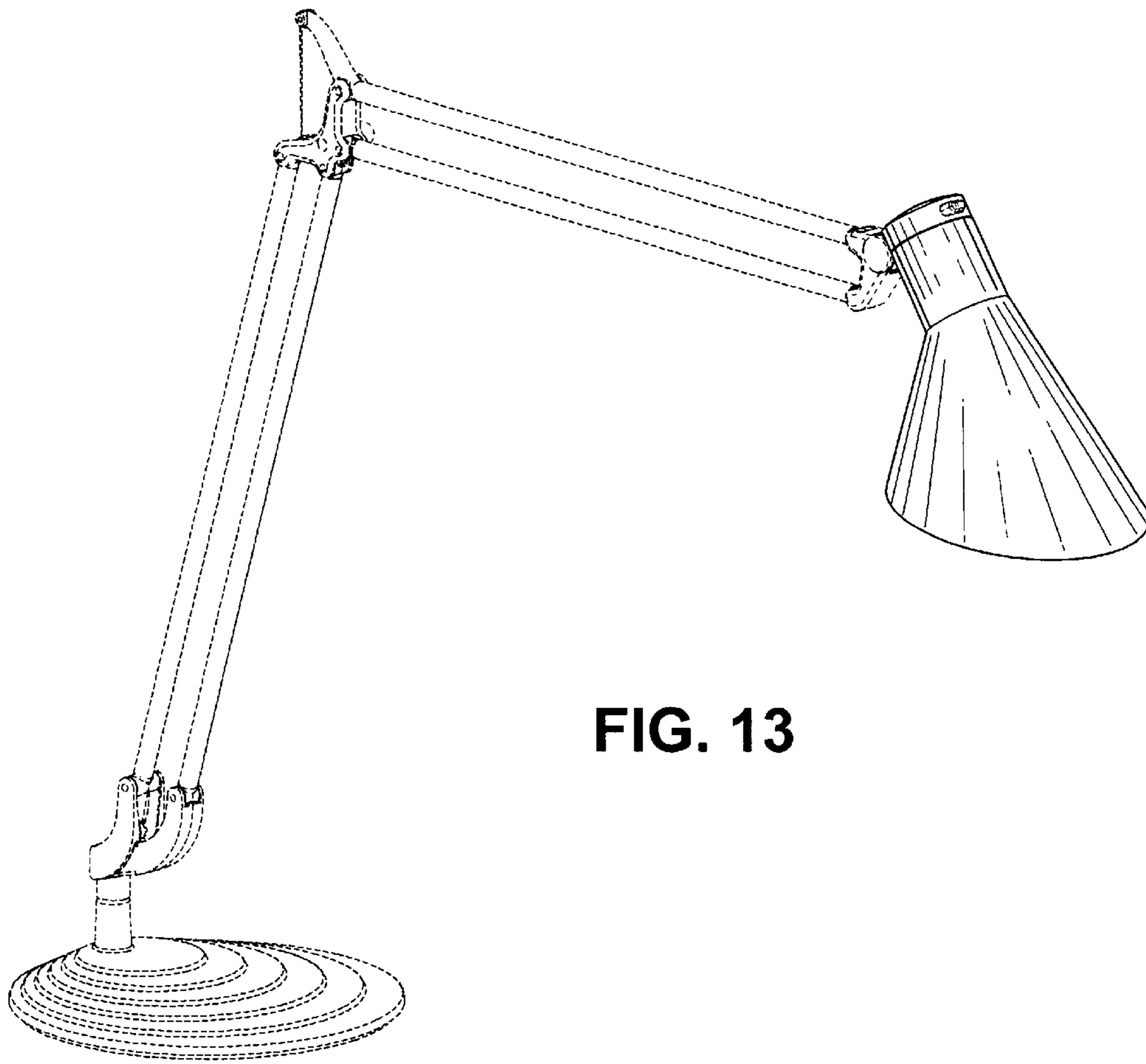


FIG. 13

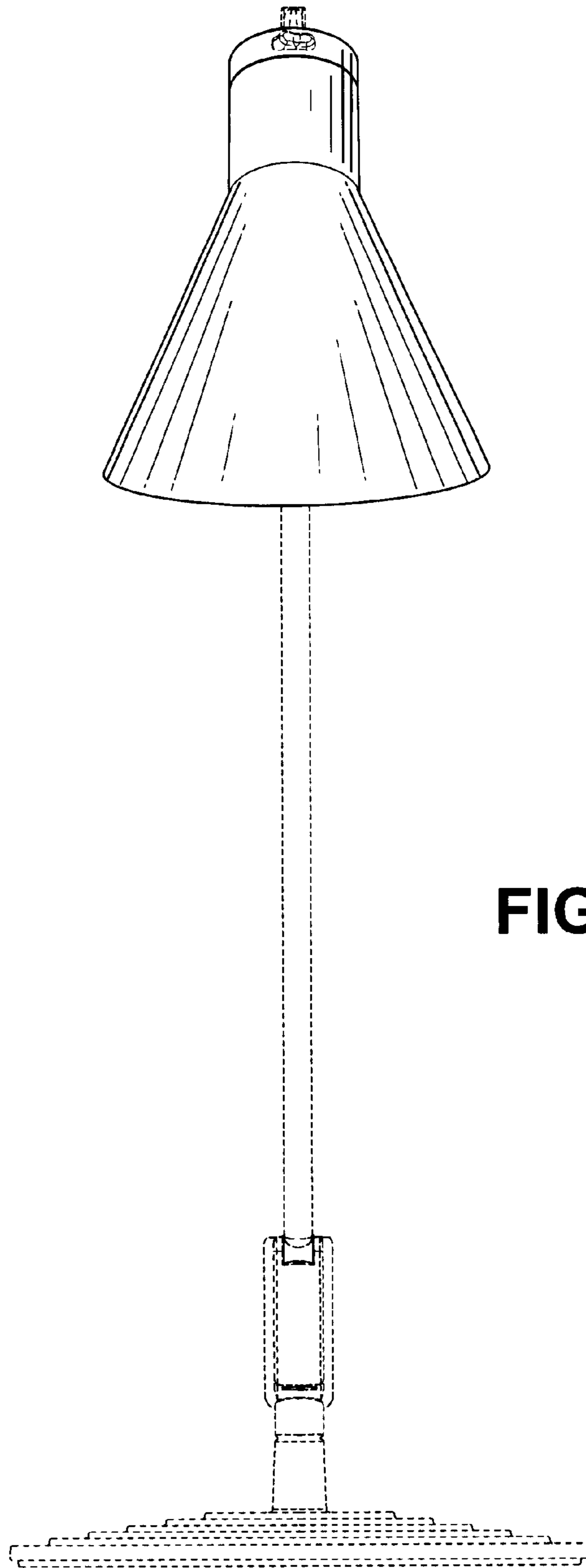


FIG. 14

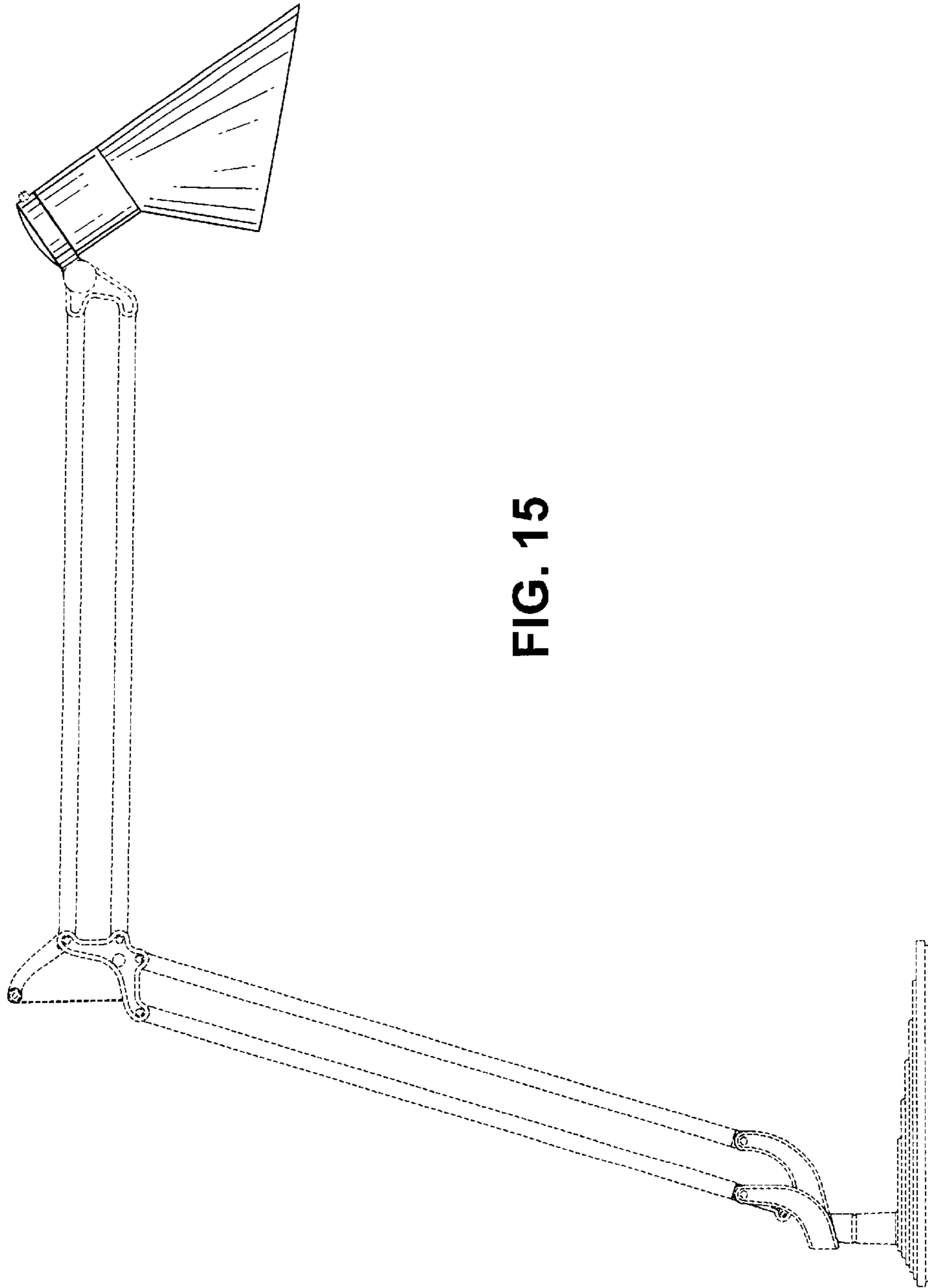


FIG. 15

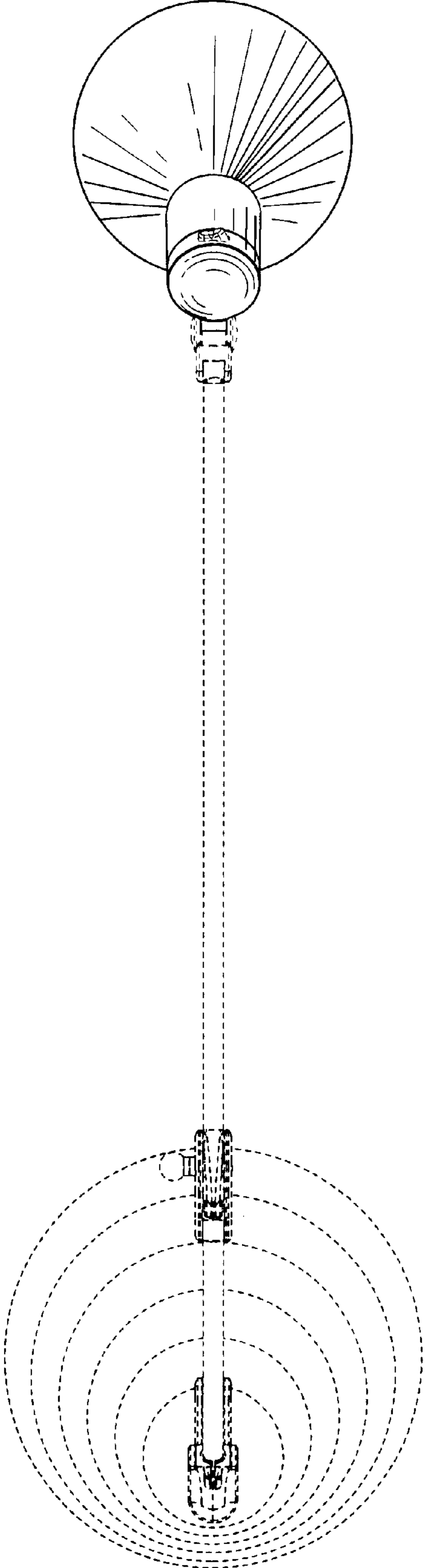


FIG. 16

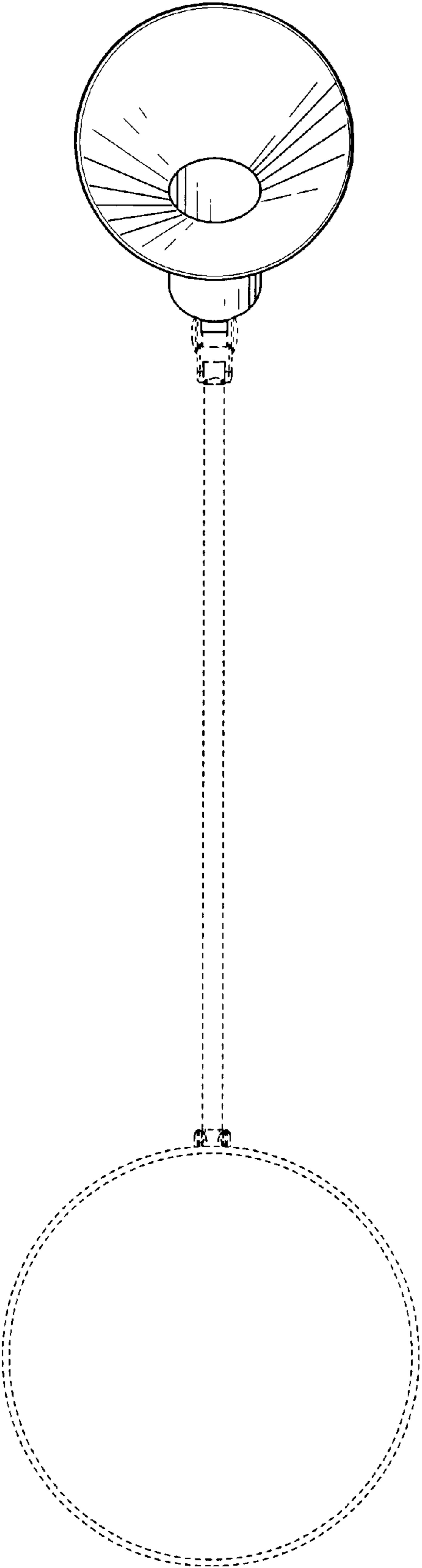


FIG. 17

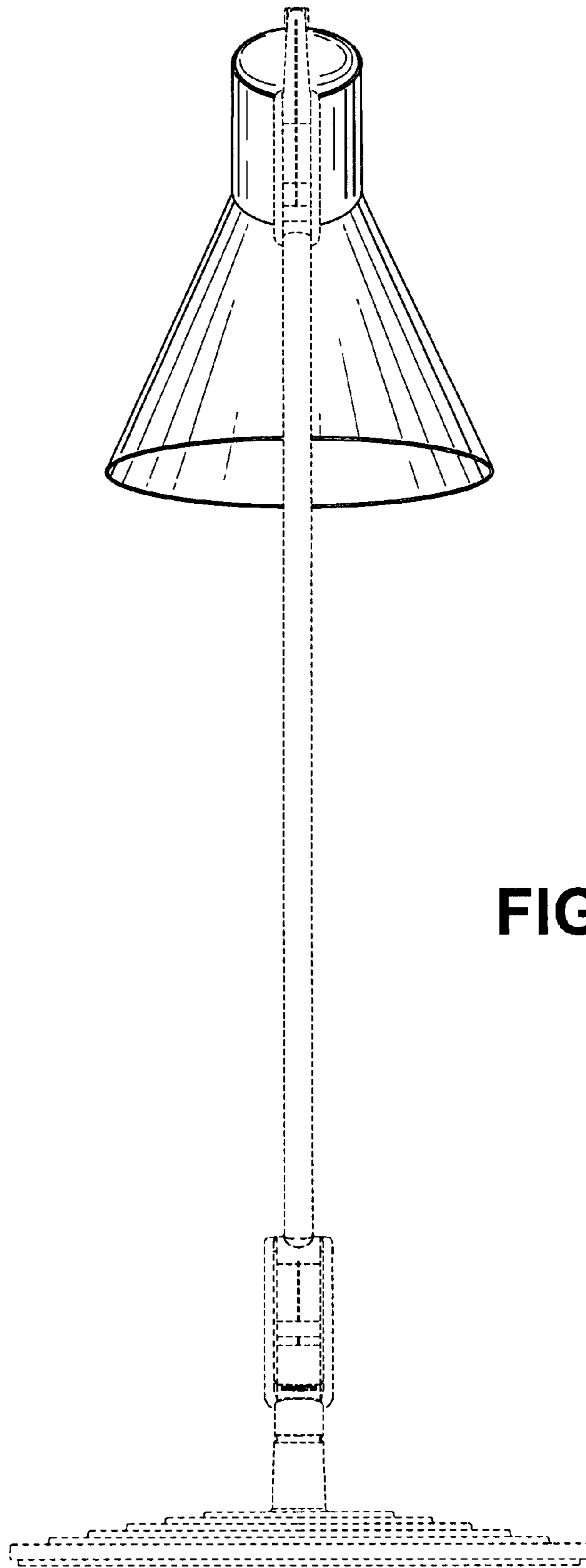


FIG. 18