



US00D535427S

(12) **United States Design Patent**  
**Chandler**

(10) **Patent No.:** **US D535,427 S**

(45) **Date of Patent:** **\*\* Jan. 16, 2007**

(54) **WALL LAMP SUPPORT**

(75) Inventor: **George Chandler**, Hubbardton, VT  
(US)

(73) Assignee: **Hubbardton Forge**, Castleton, VT  
(US)

(\*\*) Term: **14 Years**

(21) Appl. No.: **29/244,664**

(22) Filed: **Dec. 13, 2005**

(51) **LOC (8) Cl.** ..... **26-03**

(52) **U.S. Cl.** ..... **D26/87; D26/92**

(58) **Field of Classification Search** ..... D26/72,  
D26/85-92, 138, 145, 155; 362/147, 404-408,  
362/432

See application file for complete search history.

(56) **References Cited**

**U.S. PATENT DOCUMENTS**

D166,966 S	*	6/1952	Huegel	.....	D26/87
D207,178 S	*	3/1967	Atkin et al.	.....	D26/87
D367,724 S	*	3/1996	Porter	.....	D26/87
D448,881 S	*	10/2001	Lin	.....	D26/87
D465,053 S	*	10/2002	Miranda	.....	D26/87
D514,246 S	*	1/2006	Hoernig	.....	D26/87

D522,164 S \* 5/2006 Trivino et al. .... D26/71

\* cited by examiner

*Primary Examiner*—Clare E Heflin

(74) *Attorney, Agent, or Firm*—Bourque & Associates

(57) **CLAIM**

The ornamental design for a wall lamp support, as shown and described.

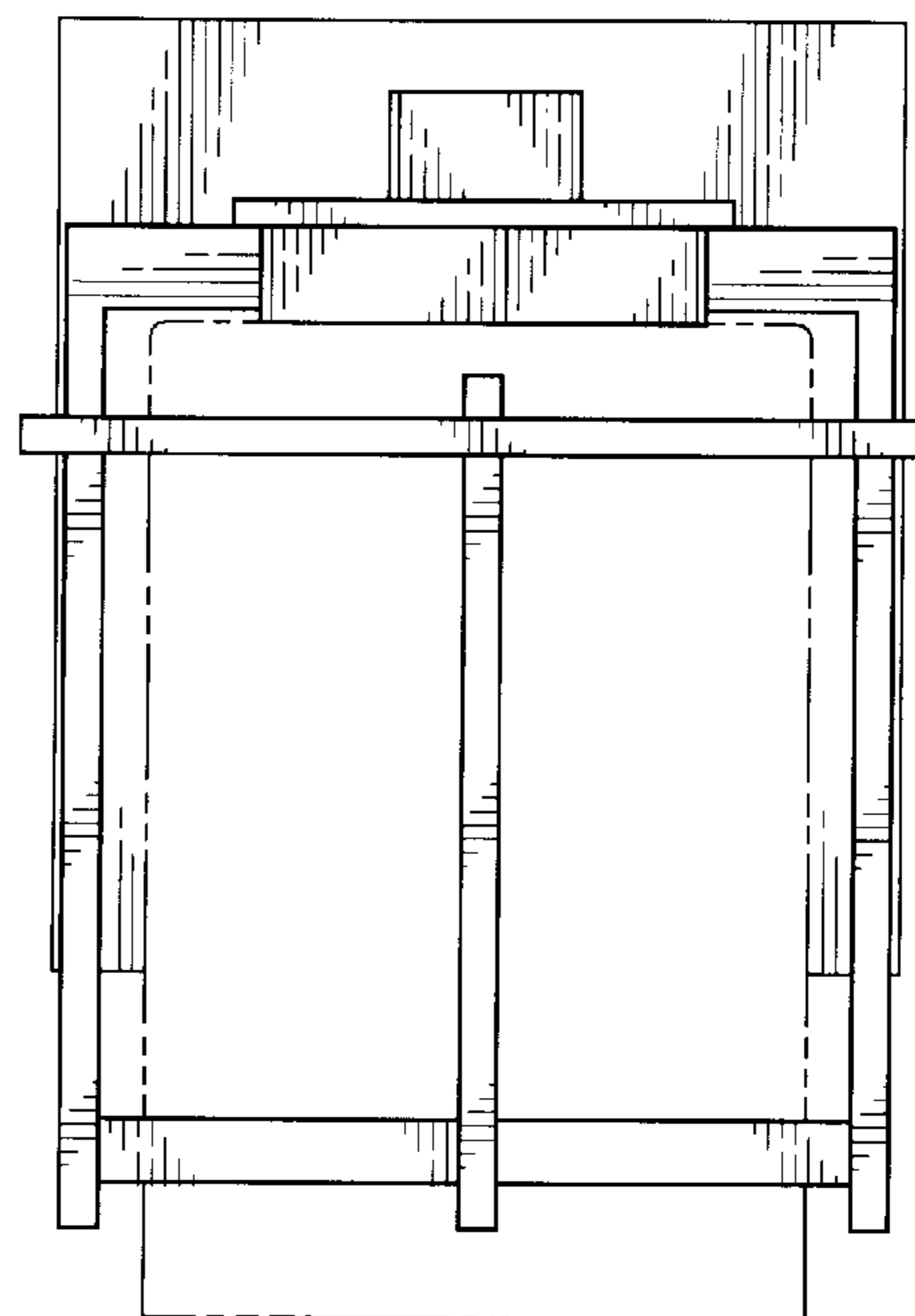
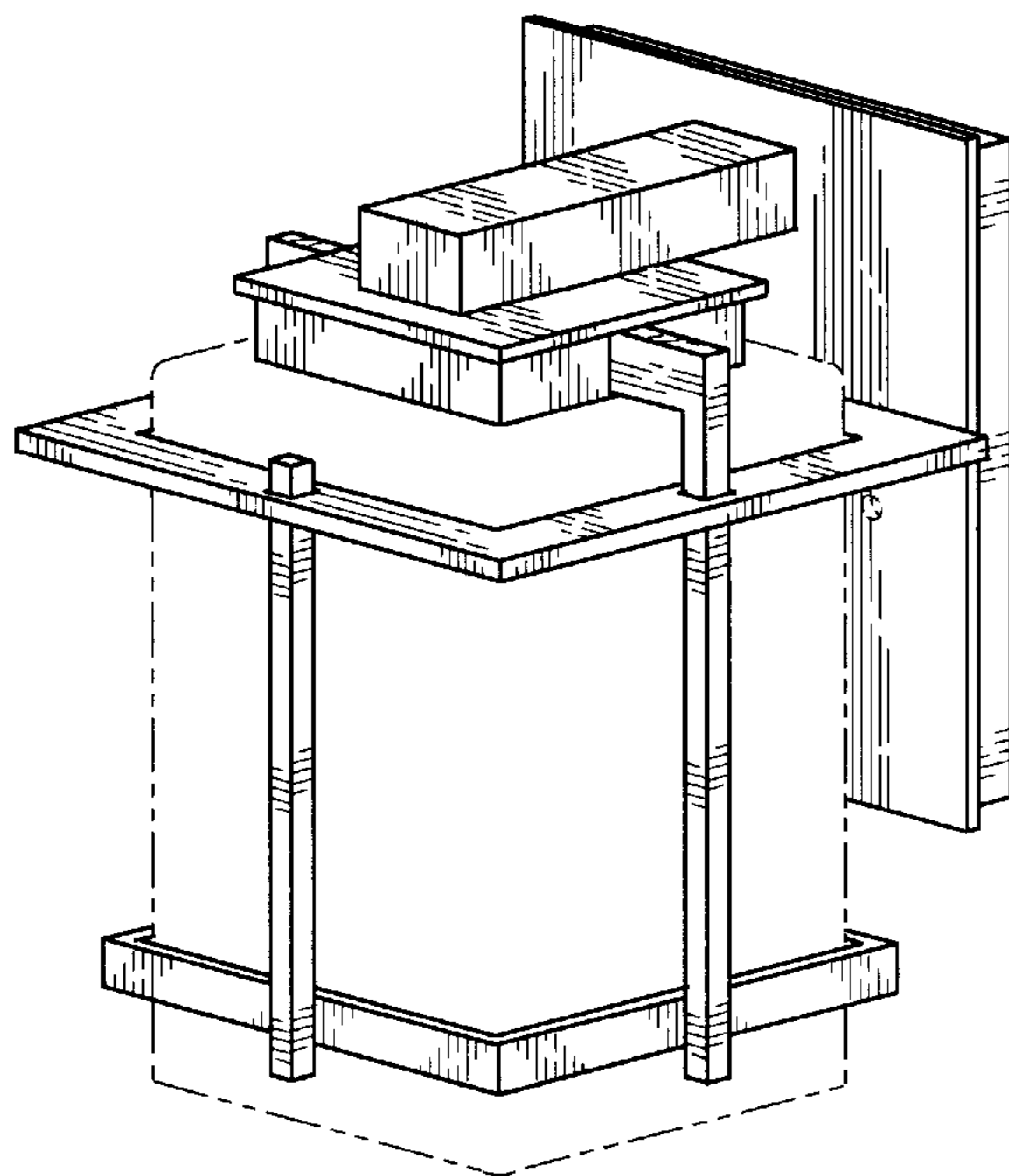
**DESCRIPTION**

FIG. 1 is a perspective view of the ornamental design for a wall lamp support according to the present invention; FIG. 2 is a front view of the ornamental design for a wall lamp support according to the present invention thereof; FIG. 3 is a rear view of the ornamental design for a wall lamp support according to the present invention thereof; FIG. 4 is a right side view of the ornamental design for a wall lamp support according to the present invention; the left side being a mirror image

FIG. 5 is a top view of the ornamental design for a wall lamp support according to the present invention; and, FIG. 6 is a bottom view of the ornamental design for a wall lamp support according to the present invention.

The broken lines shown on the drawings are for illustrative purposes only and form no part of the claimed design.

**1 Claim, 4 Drawing Sheets**



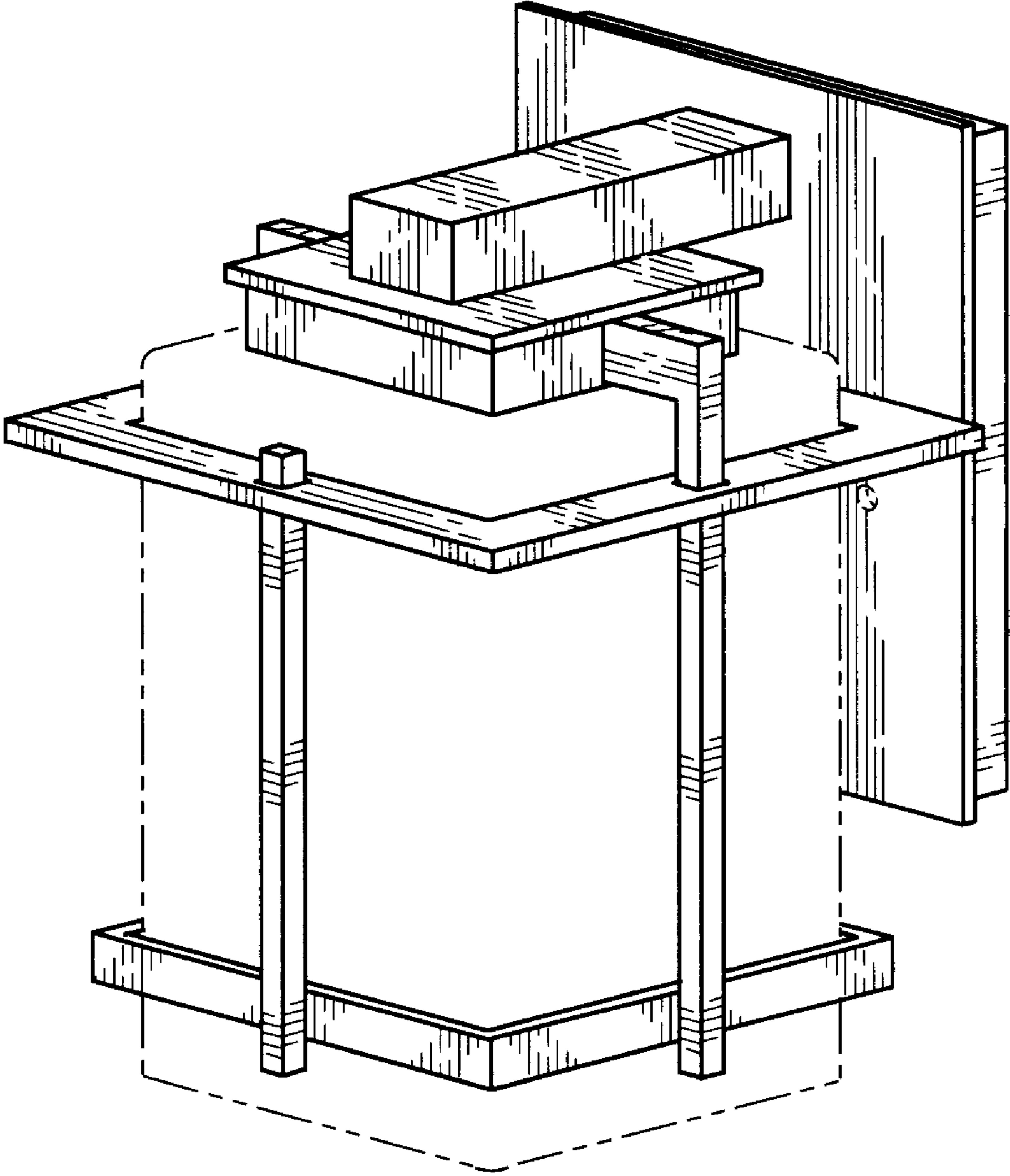


FIG. 1

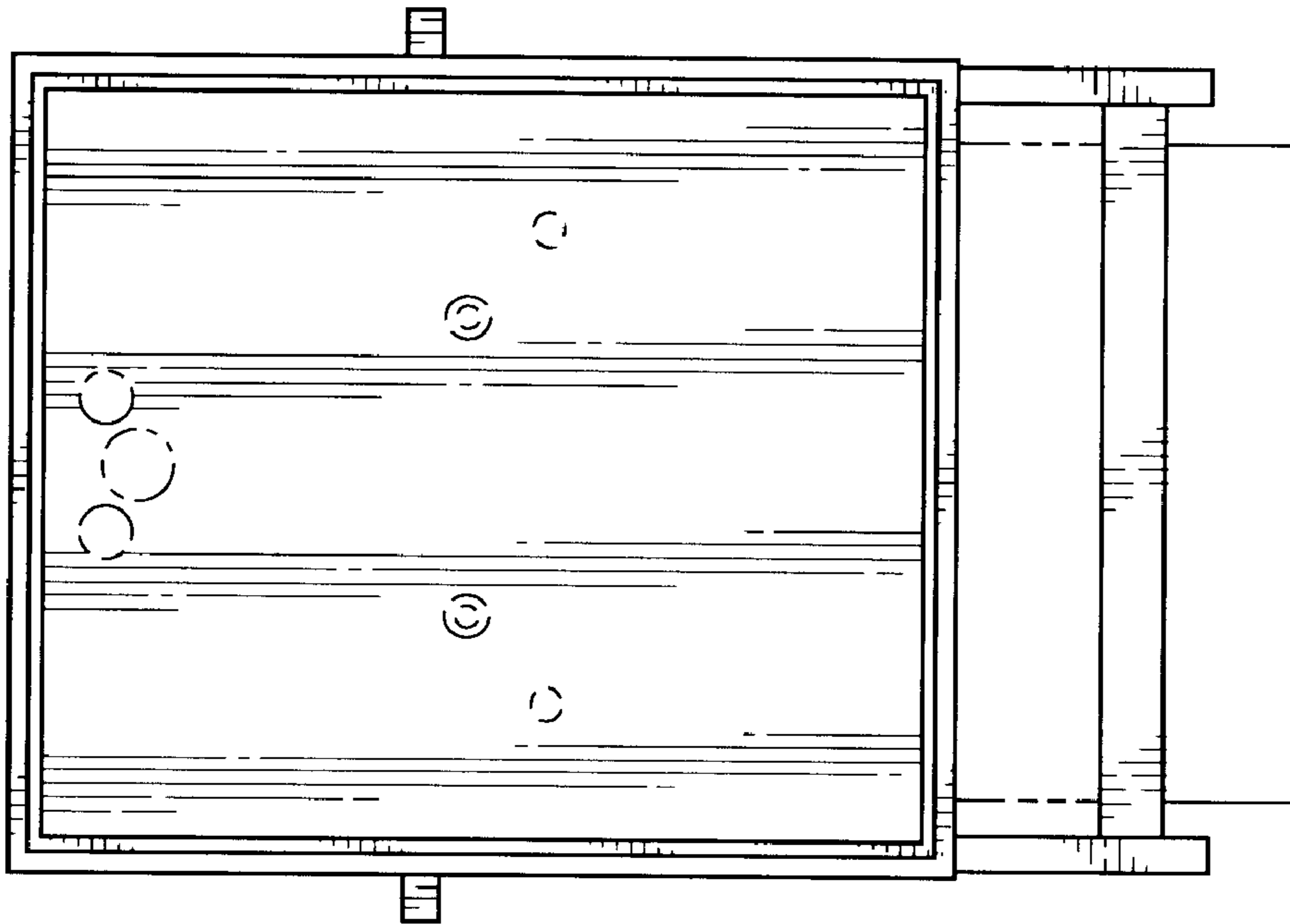


FIG. 3

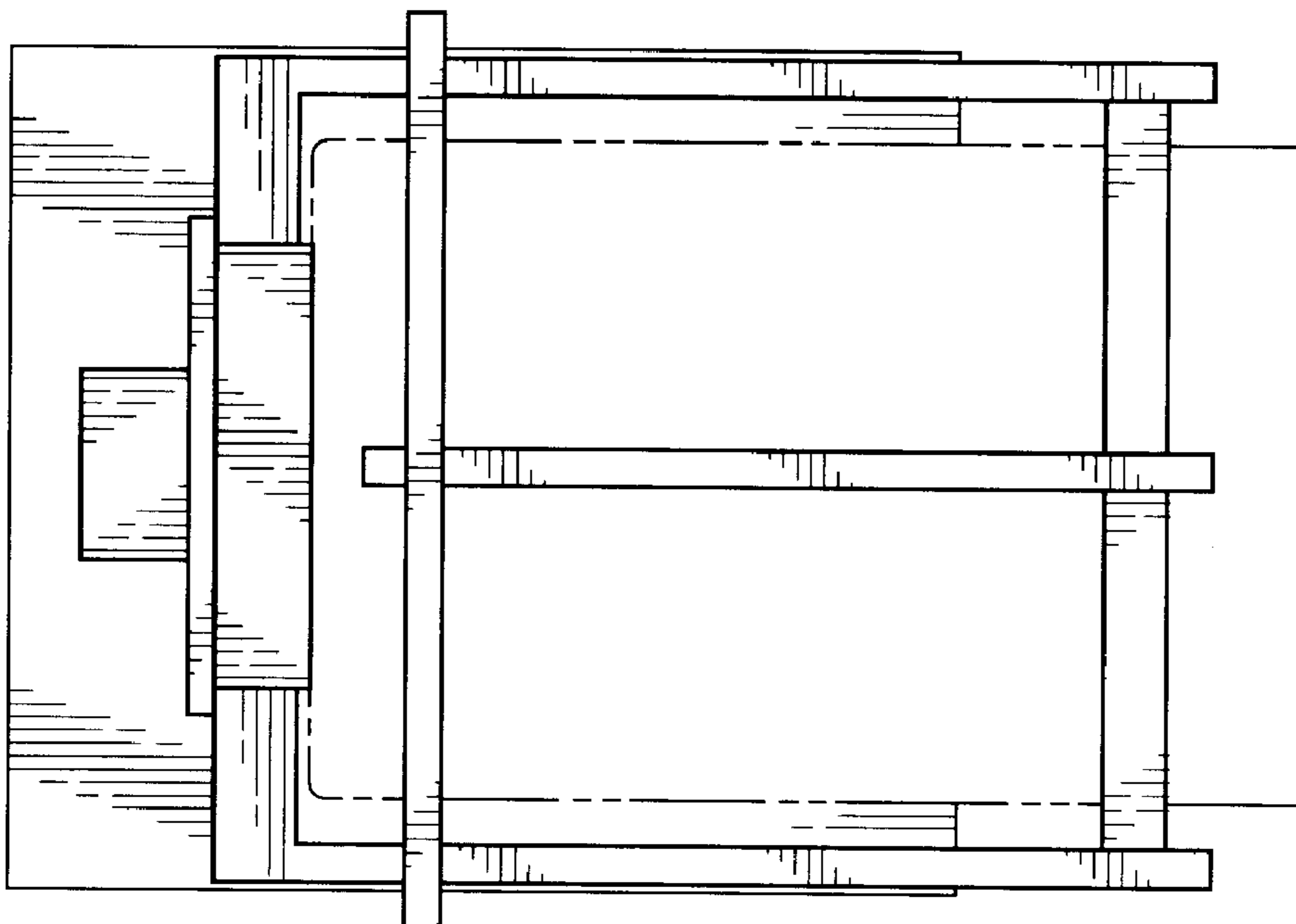


FIG. 2

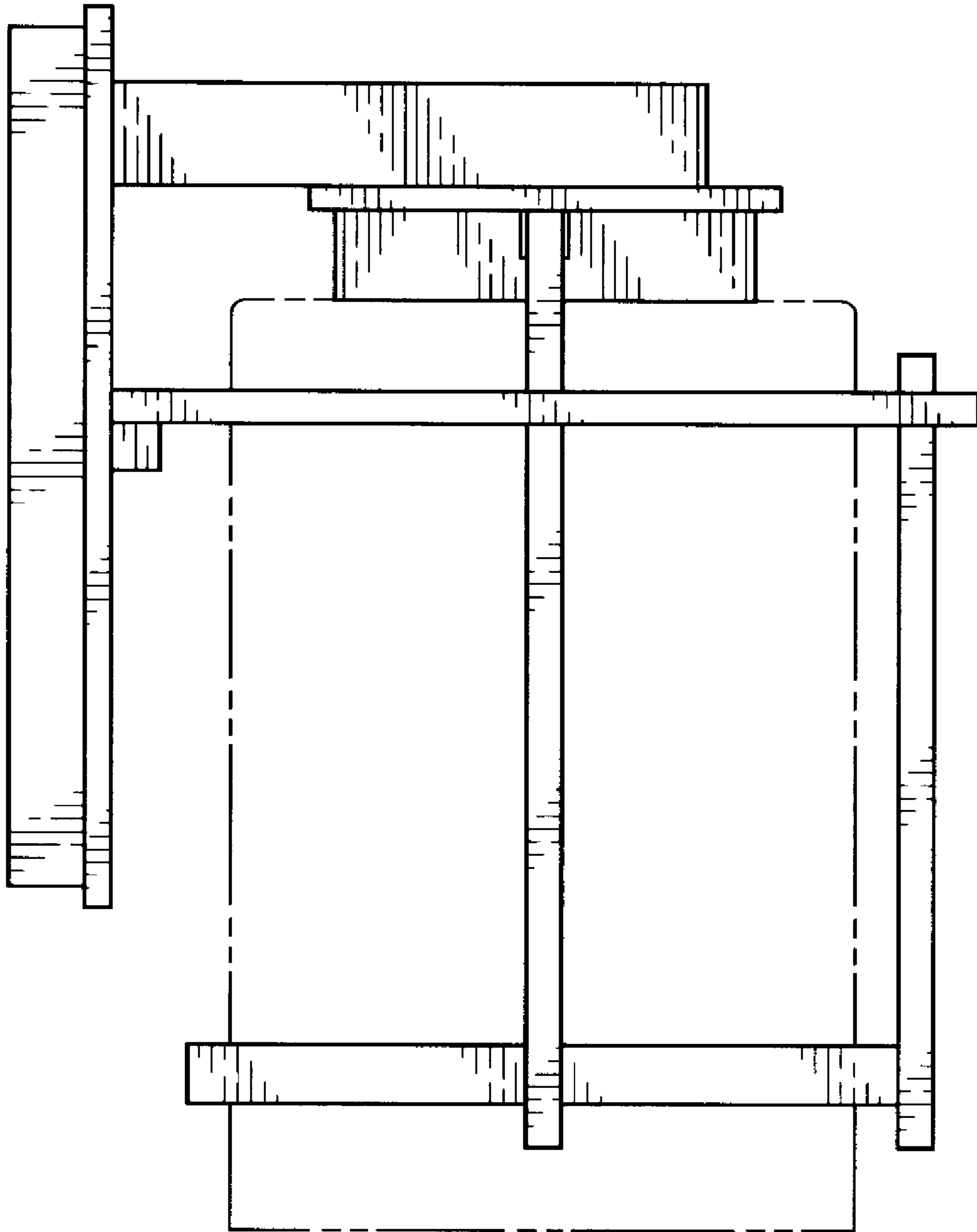


FIG. 4

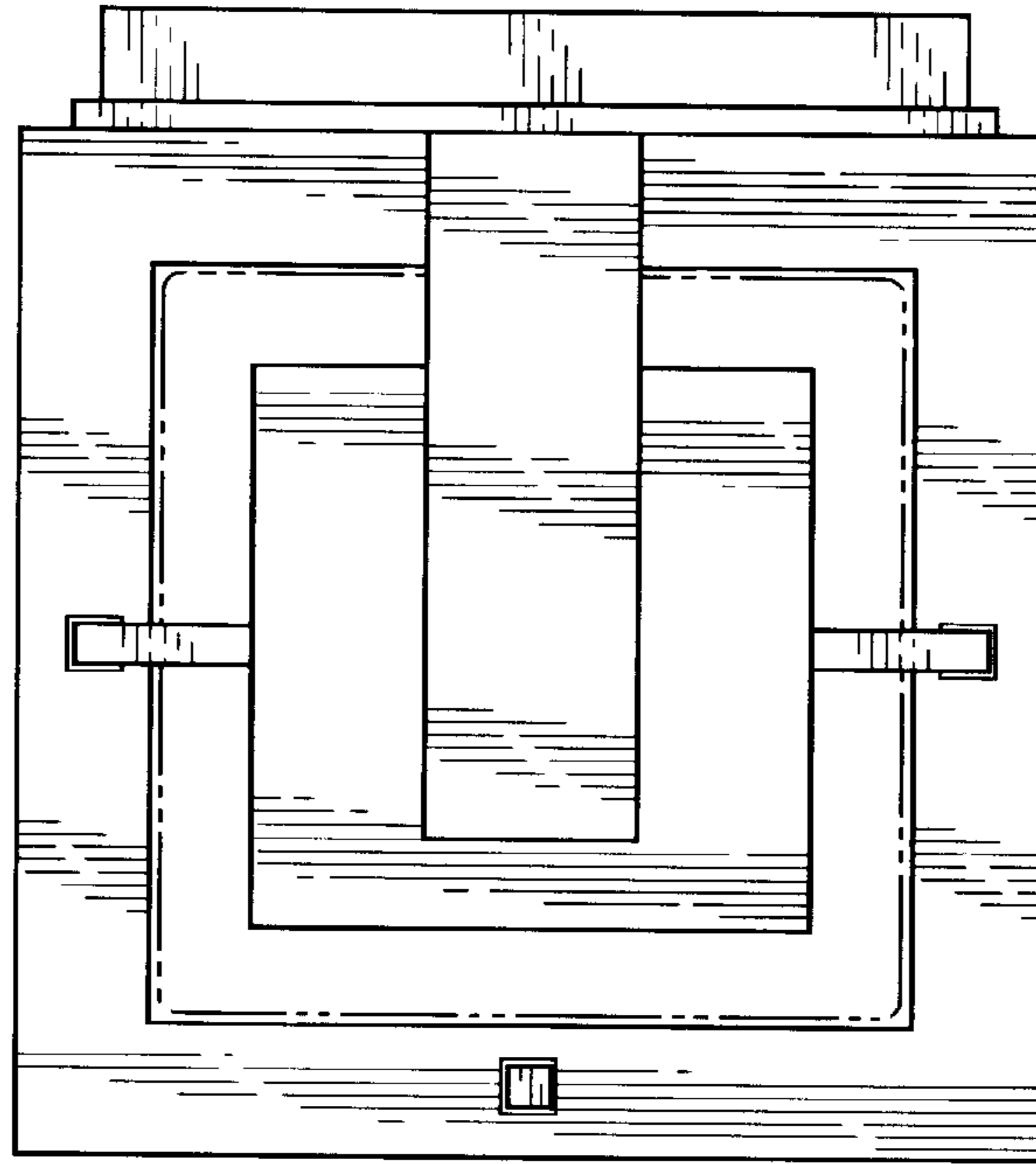


FIG. 5

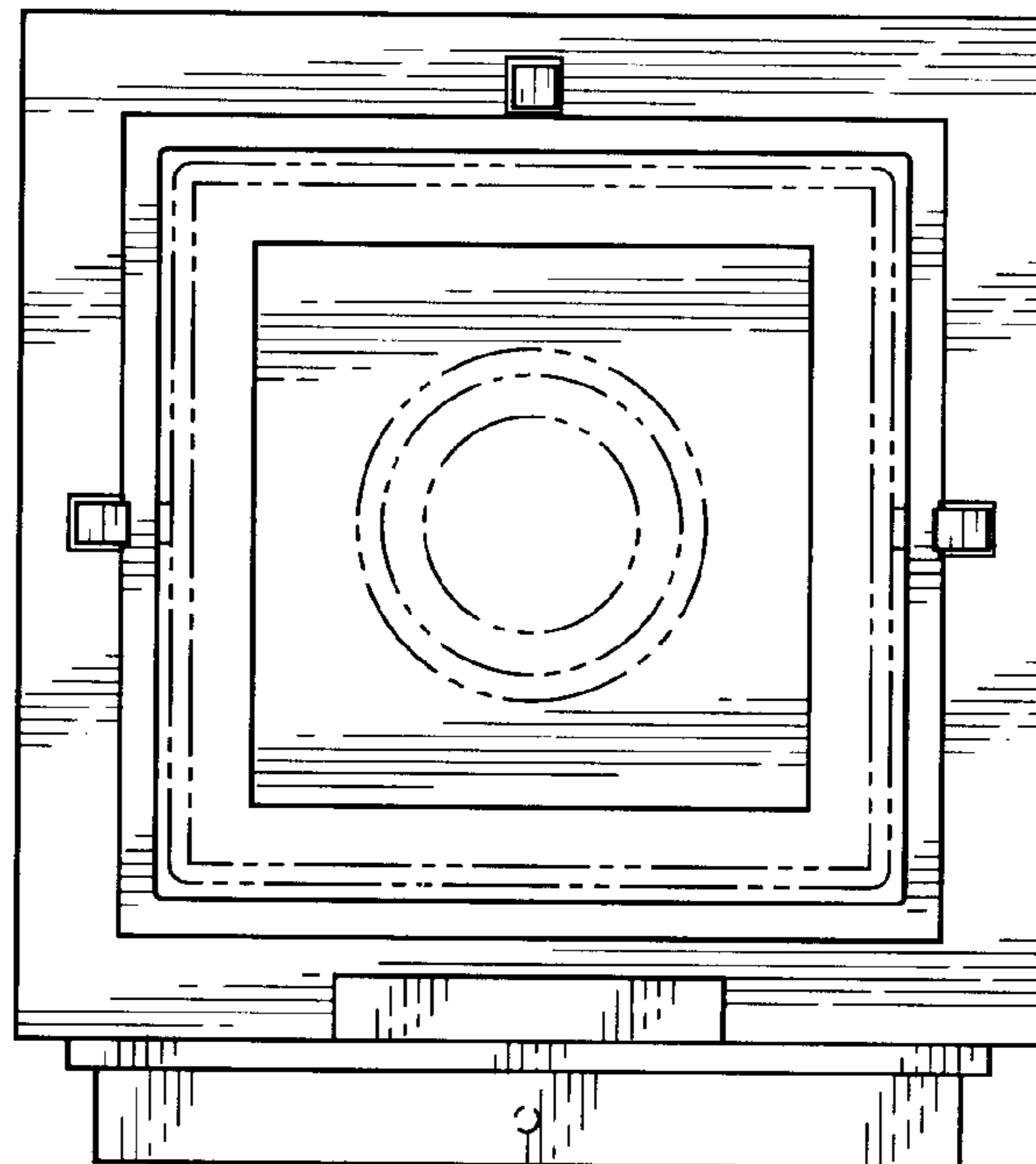


FIG. 6