



US00D535426S

(12) **United States Design Patent**
Holman

(10) **Patent No.:** **US D535,426 S**

(45) **Date of Patent:** **** Jan. 16, 2007**

(54) **LANTERN**

(76) **Inventor:** **John D. Holman**, c/o Dolan Designs
2700 NW. Front Ave., Portland, OR
(US) 97210

(**) **Term:** **14 Years**

(21) **Appl. No.:** **29/240,027**

(22) **Filed:** **Oct. 6, 2005**

(51) **LOC (8) Cl.** **26-03**

(52) **U.S. Cl.** **D26/87; D26/92**

(58) **Field of Classification Search** D26/72,
D26/85-92, 138, 145, 155, 129, 130; 362/147,
362/404-408, 432

See application file for complete search history.

(56) **References Cited**

U.S. PATENT DOCUMENTS

D63,164 S	*	10/1923	Ohm	D26/67
D67,423 S	*	5/1925	Walker	D26/87
D84,097 S	*	5/1931	McFadden	D26/87
D458,704 S	*	6/2002	Orozco	D26/92
D461,581 S	*	8/2002	De'Armond	D26/87
D463,606 S	*	9/2002	Orozco	D26/87
D500,571 S	*	1/2005	Burke et al.	D26/92

OTHER PUBLICATIONS

Murray Feiss, Bronx NY, Summer 2001, p. 519 Model OL1901GB2.

Quoizel, Goose Creek, SC, Cat 2004 p. 281 Model TC8441.

Quoizel, Goose Creek, SC, Cat 2004 p. 282 Model PL86971.

* cited by examiner

Primary Examiner—Clare E Heflin

(57) **CLAIM**

The ornamental design for a lantern, as shown and described.

DESCRIPTION

FIG. 1 is a perspective view thereof;

FIG. 2 is a front elevational view thereof;

FIG. 3 is a right side view, the left side view being a mirror image;

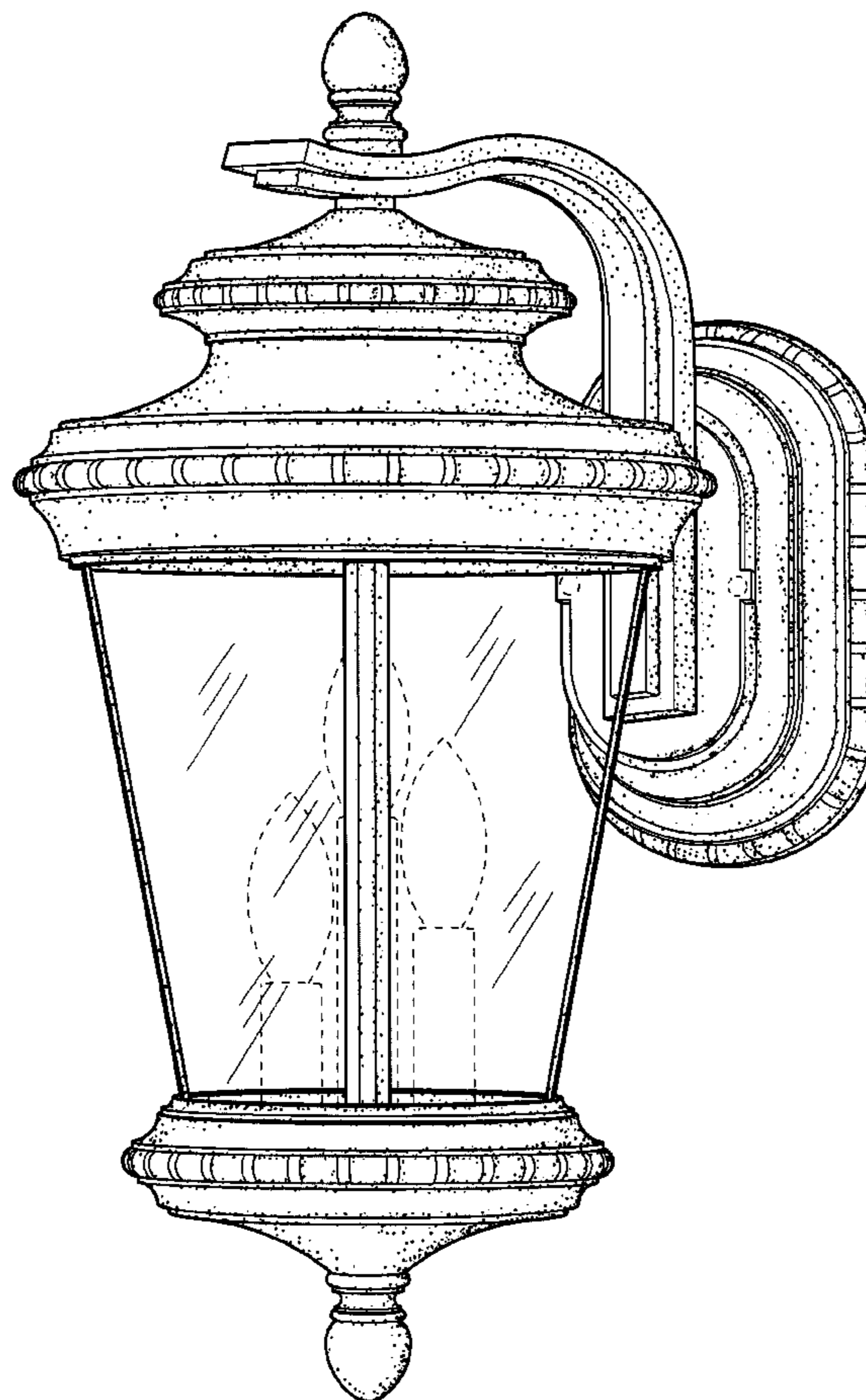
FIG. 4 is a back view thereof;

FIG. 5 is a top view thereof; and,

FIG. 6 is a bottom view thereof.

The broken line showing of environmental structure in FIGS. 1-6 is for illustrative purposes only and forms no part of the claimed design.

1 Claim, 6 Drawing Sheets



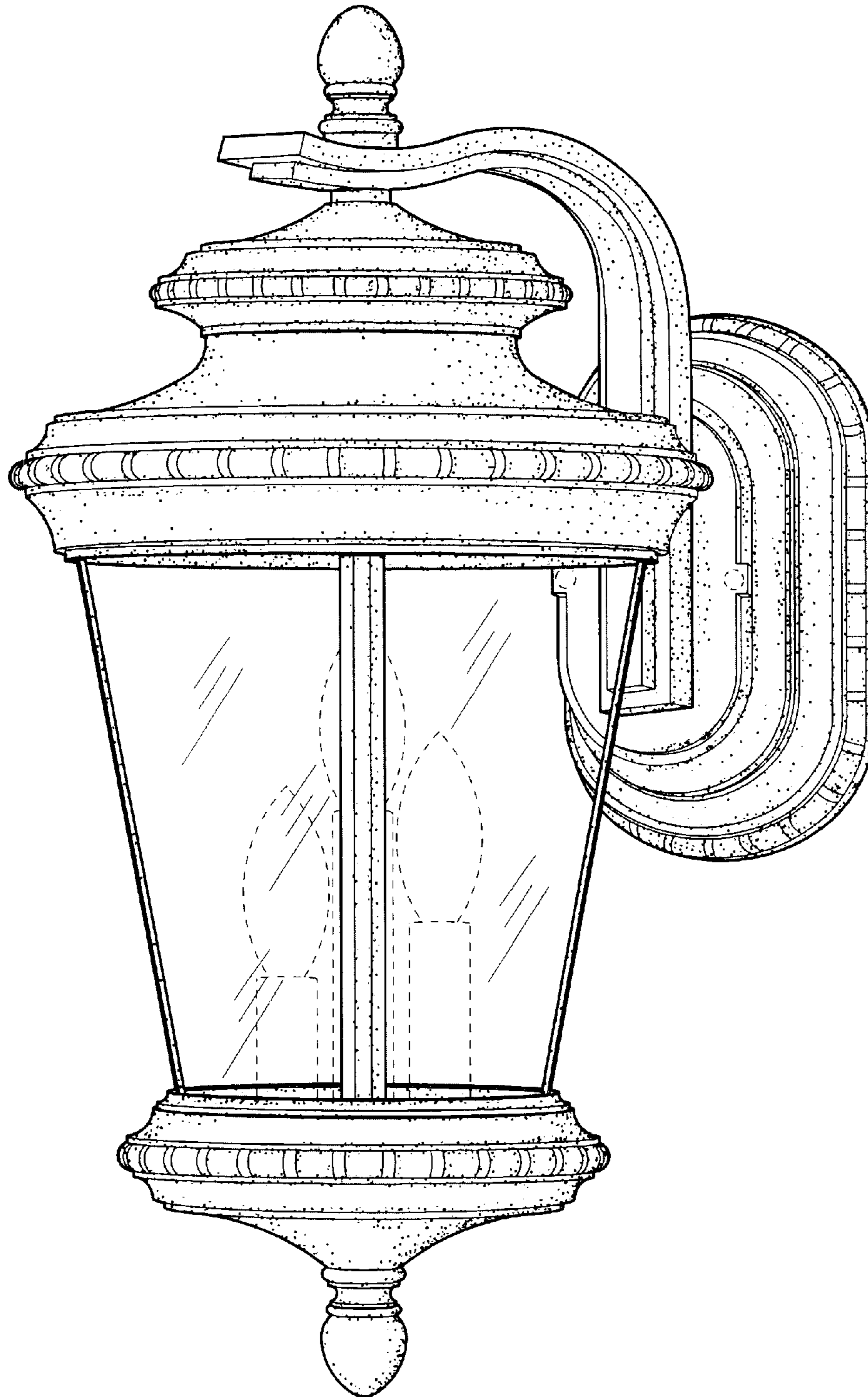


FIG. 1

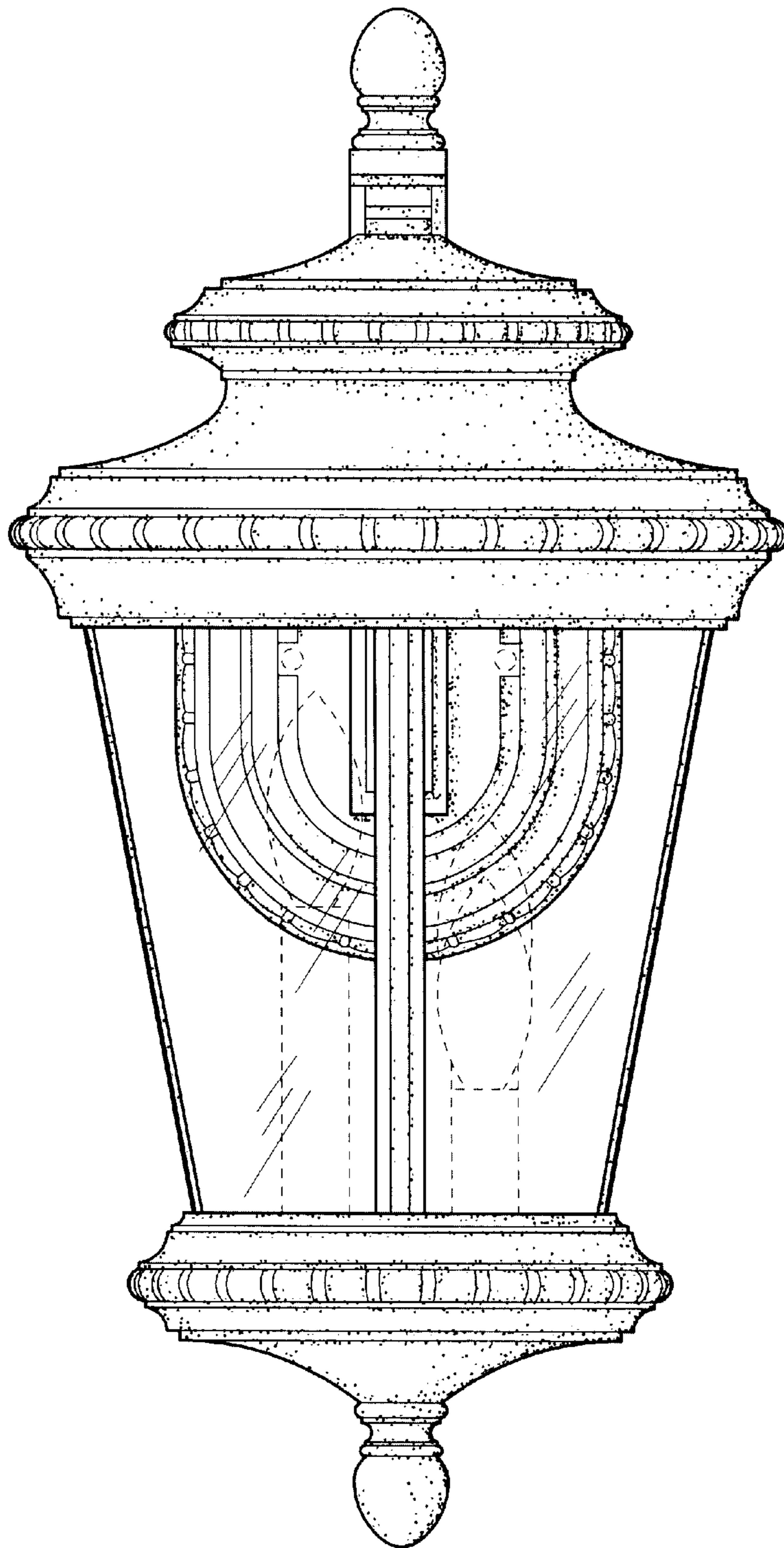


FIG. 2

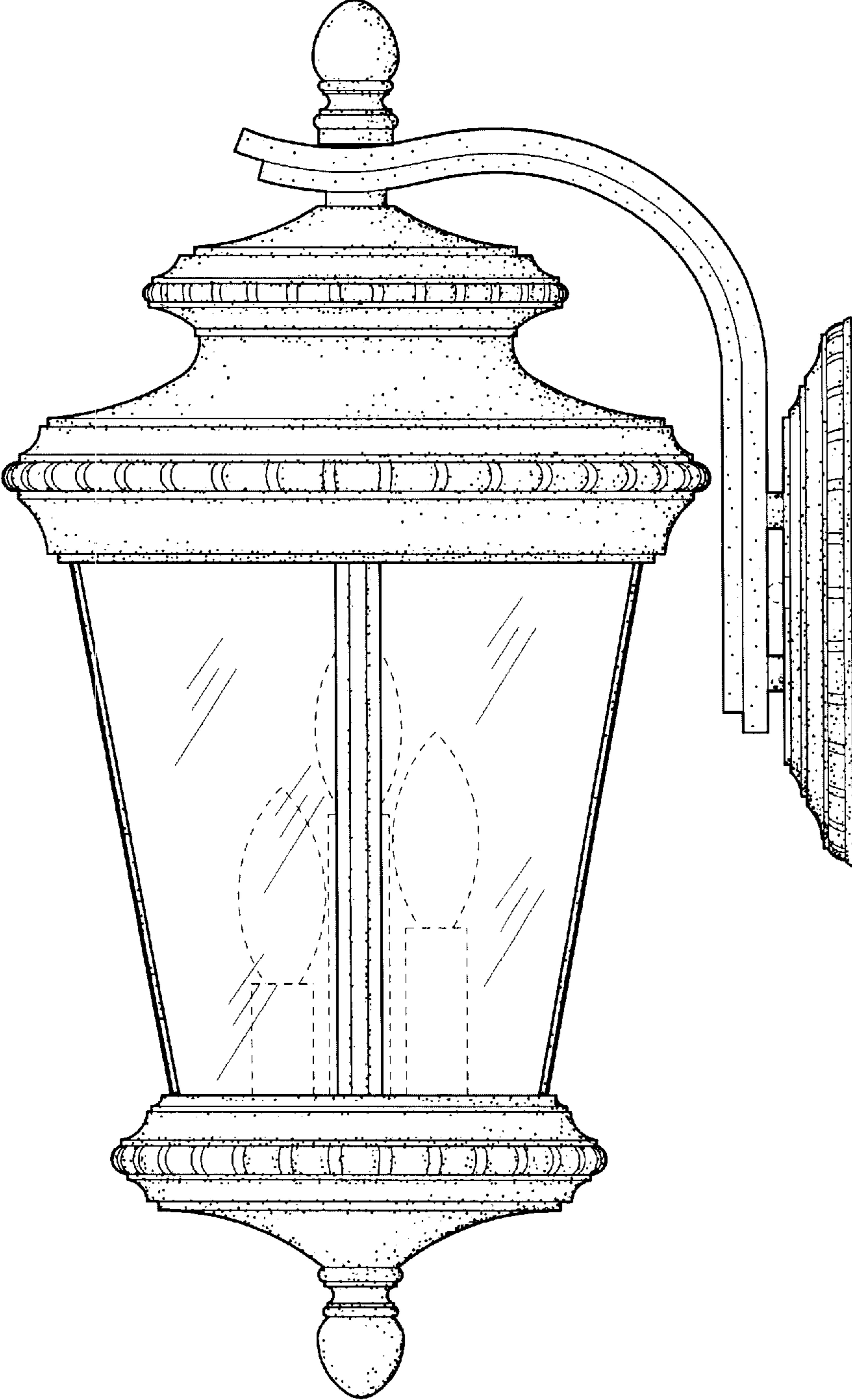


FIG. 3

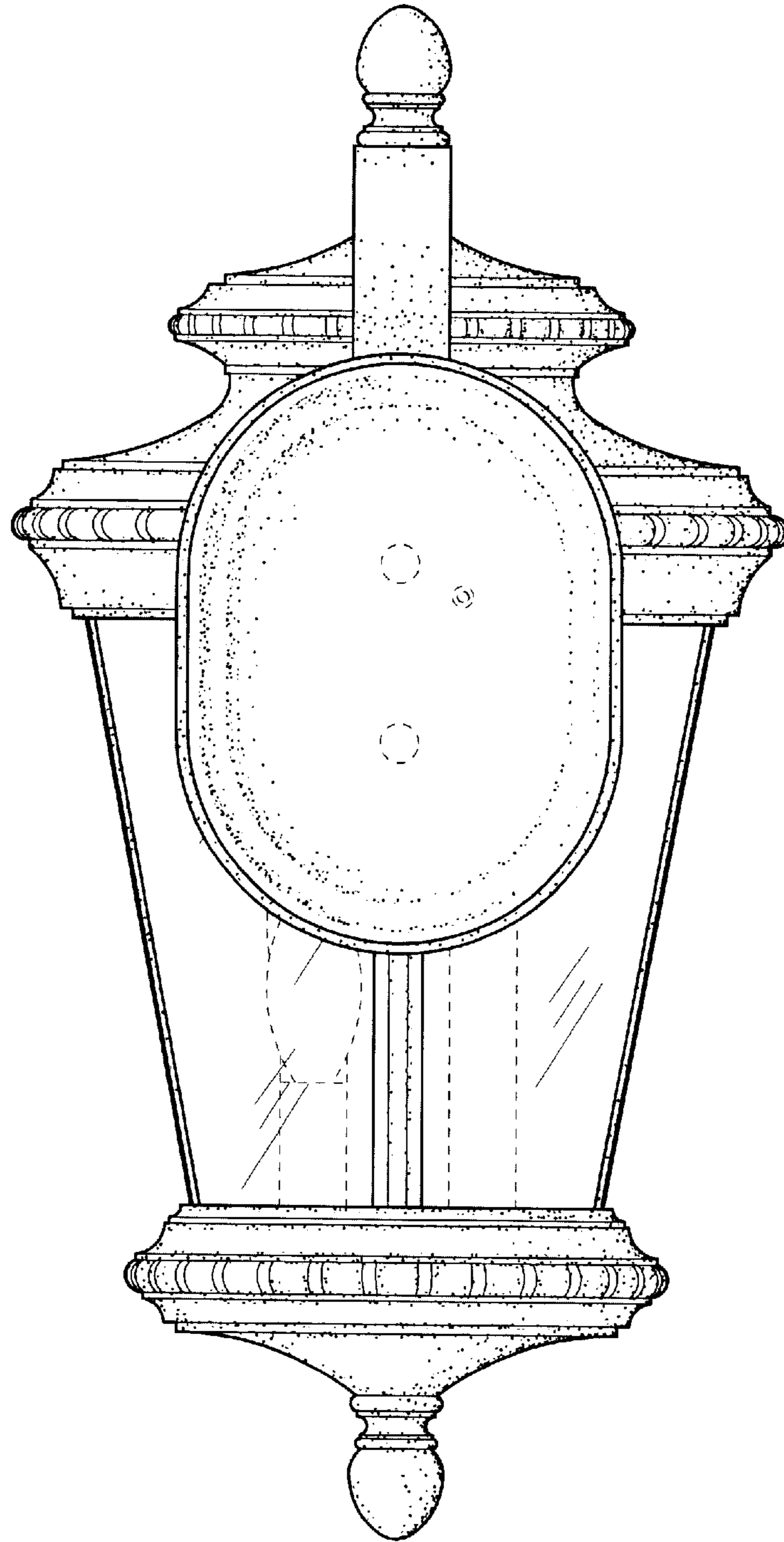


FIG. 4

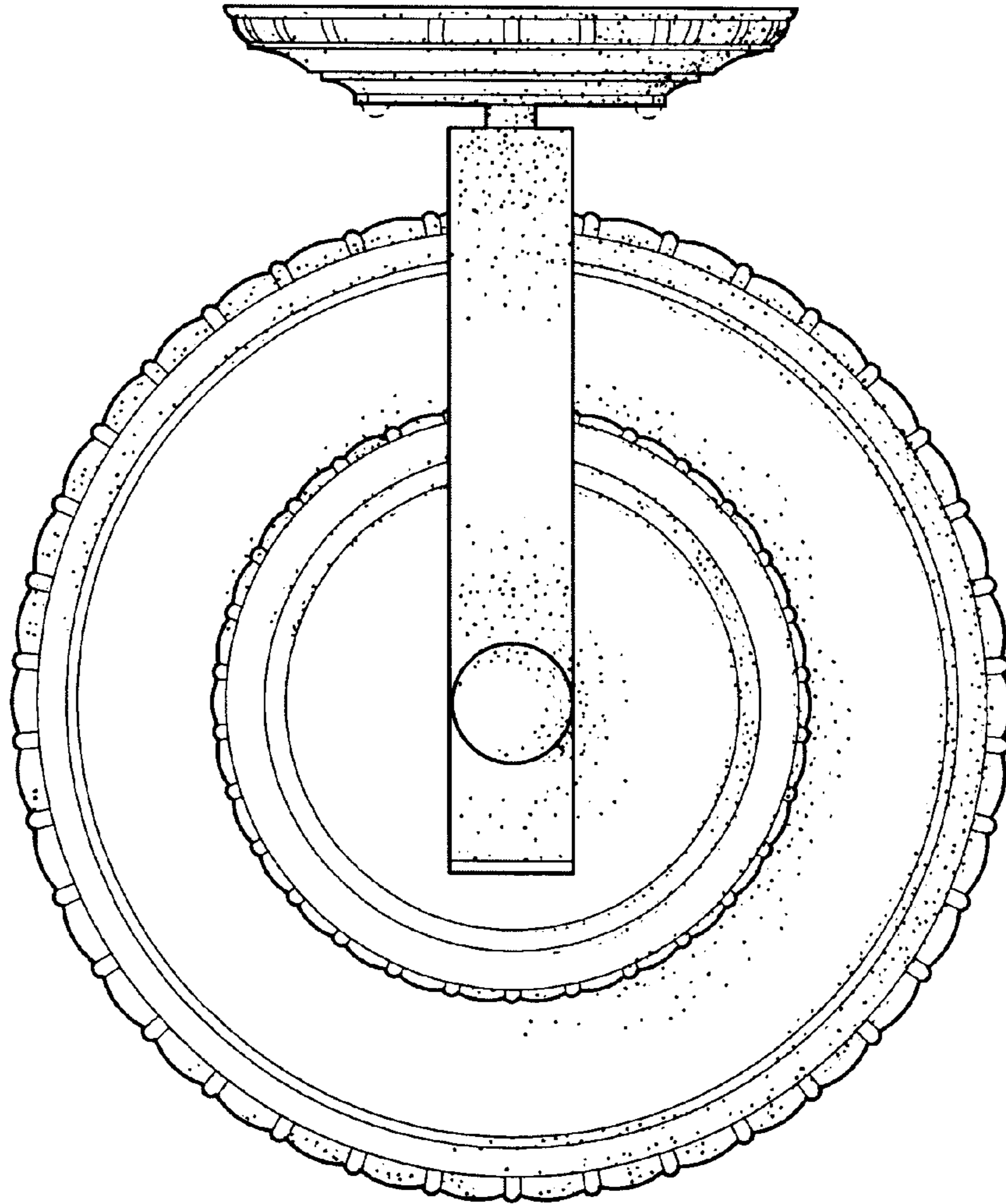


FIG. 5

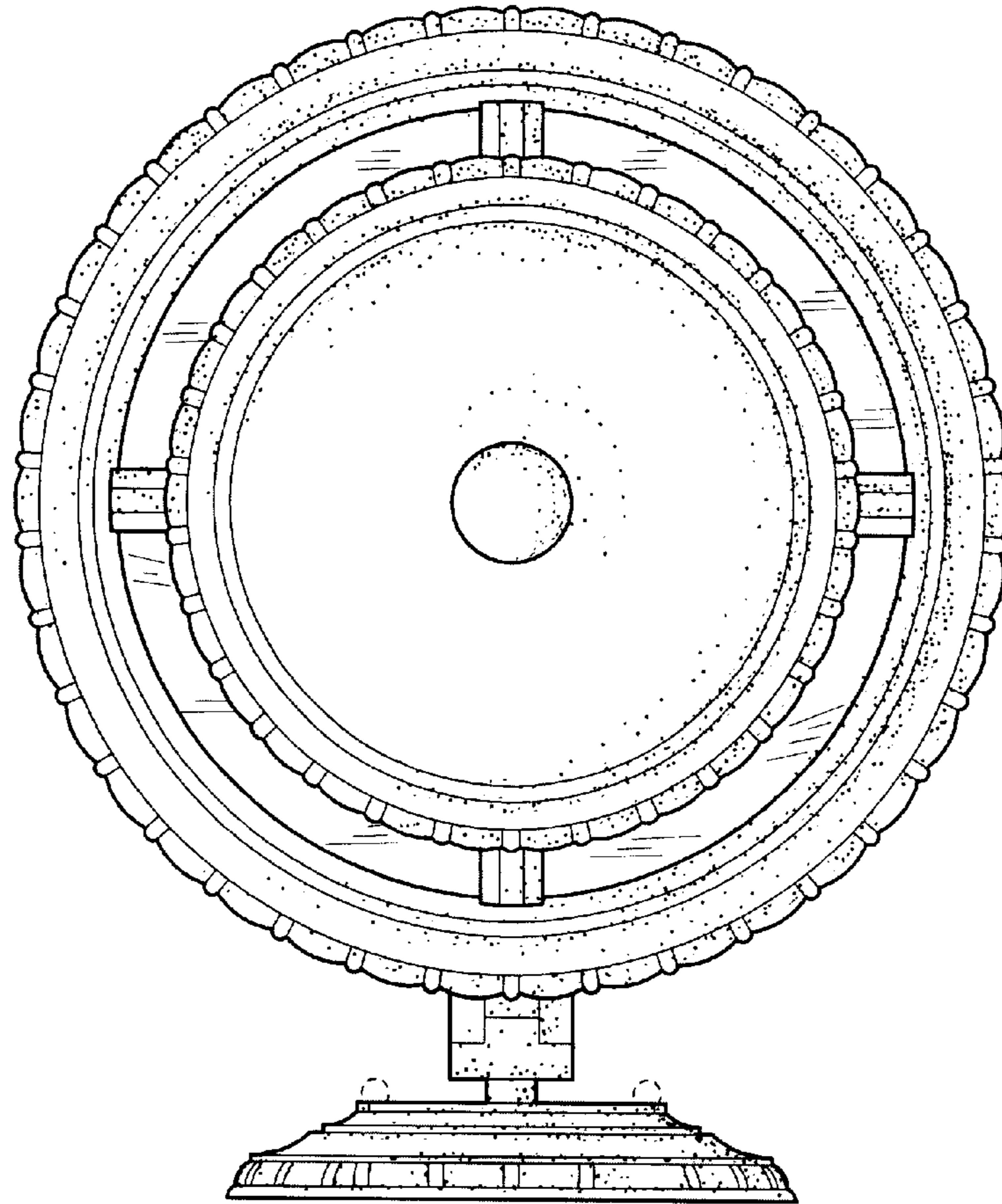


FIG. 6