

US00D535425S

(12) **United States Design Patent**
Chen

(10) **Patent No.:** **US D535,425 S**

(45) **Date of Patent:** **** Jan. 16, 2007**

(54) **SOLAR LAMP**

(75) Inventor: **Chi Gon Chen**, Guang Zhou (CN)

(73) Assignee: **International Development Corp.**,
Roanoke, TX (US)

(**) Term: **14 Years**

(21) Appl. No.: **29/240,582**

(22) Filed: **Oct. 14, 2005**

(51) **LOC (8) Cl.** **26-05**

(52) **U.S. Cl.** **D26/67**

(58) **Field of Classification Search** D26/67-71;
362/152, 183, 431, 410-415

See application file for complete search history.

(56) **References Cited**

U.S. PATENT DOCUMENTS

D37,278 S	*	12/1904	Selling	D26/2
D197,438 S	*	2/1964	Harling et al.	D26/67
D263,340 S	*	3/1982	Budnovitch et al.	D26/67
D329,100 S	*	9/1992	Hall et al.	D26/67
D436,209 S	*	1/2001	De'Armond	D26/72
D453,388 S	*	2/2002	Leen	D26/67

D494,698 S	*	8/2004	Hon et al.	D26/67
D497,021 S	*	10/2004	Pu	D26/67
D500,159 S	*	12/2004	Chen	D26/68

* cited by examiner

Primary Examiner—Clare E Heflin

(74) *Attorney, Agent, or Firm*—Strasburger & Price, LLP

(57) **CLAIM**

I claim the ornamental design for a solar lamp, as shown and described.

DESCRIPTION

FIG. 1 is a perspective view of a solar lamp showing my design;

FIG. 2 is a front elevational view of the solar lamp;

FIG. 3 is a left side elevational view of the solar lamp with the right side elevation being identical thereto;

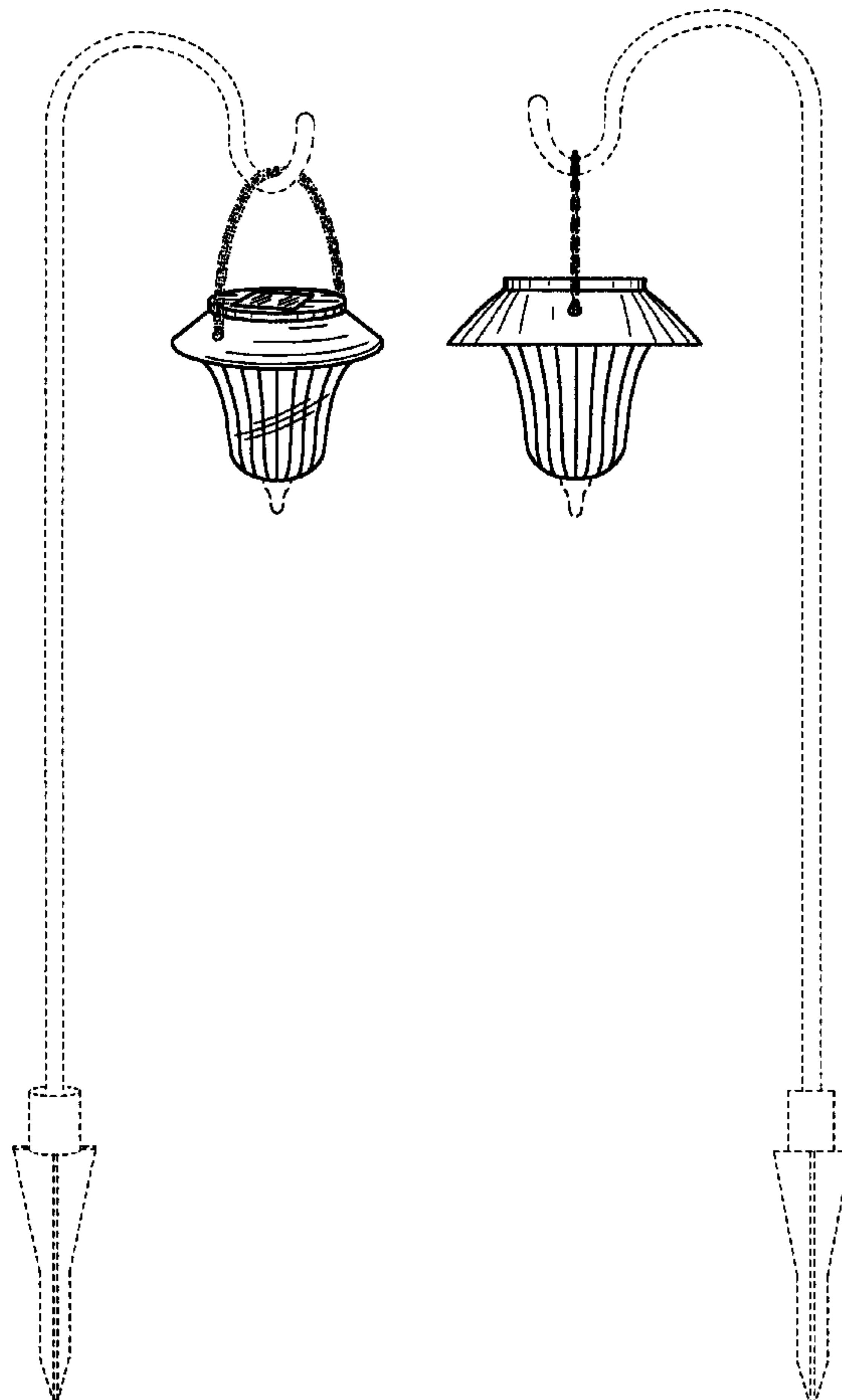
FIG. 4 is a rear elevational view of the solar lamp;

FIG. 5 is a top plan view of the solar lamp; and,

FIG. 6 is a bottom plan view of the solar lamp.

The broken lines showing a stand, the hanger, and the finial associated with the solar lamp are for illustrative purposes only and form no part of the claimed design.

1 Claim, 3 Drawing Sheets



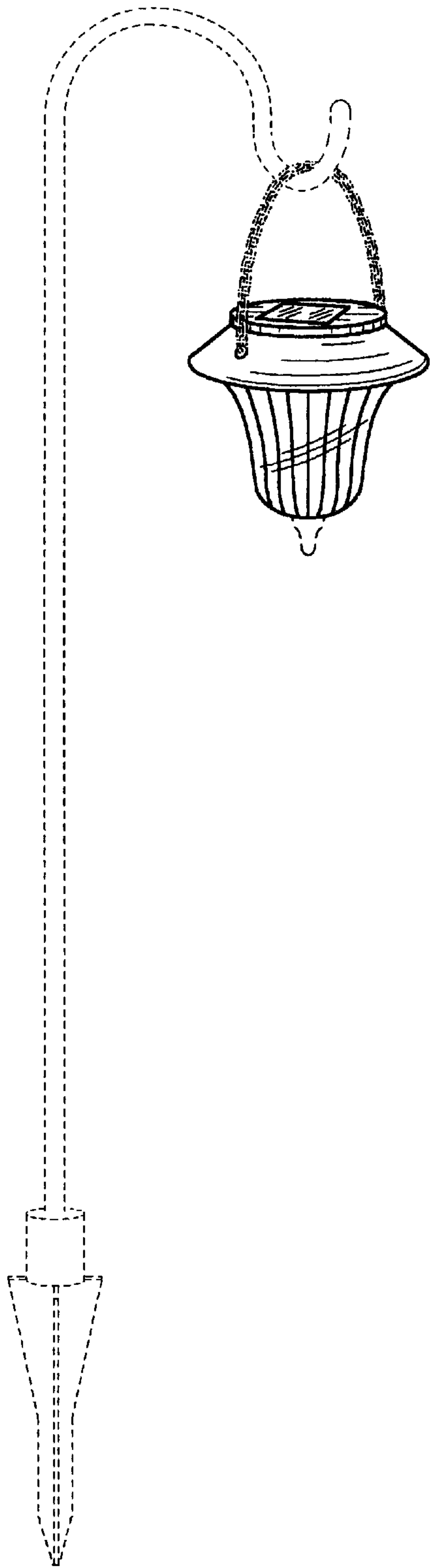


Fig. 1

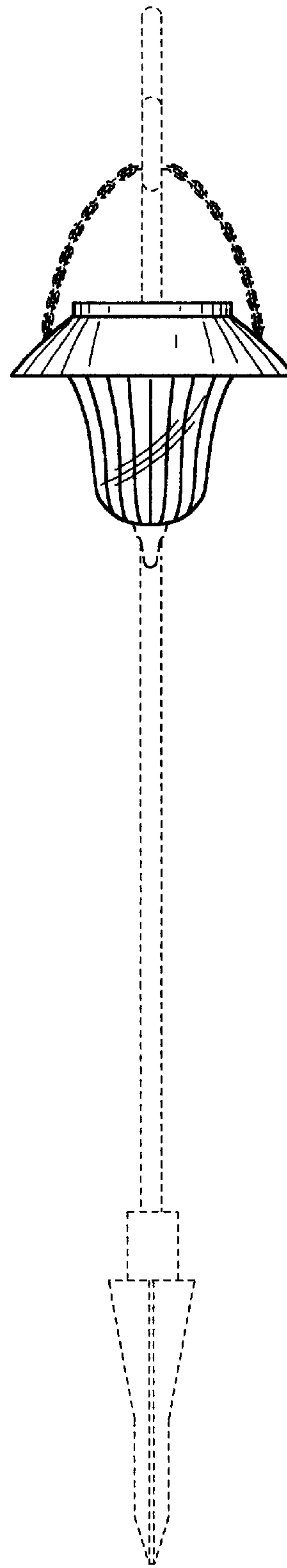


Fig. 2

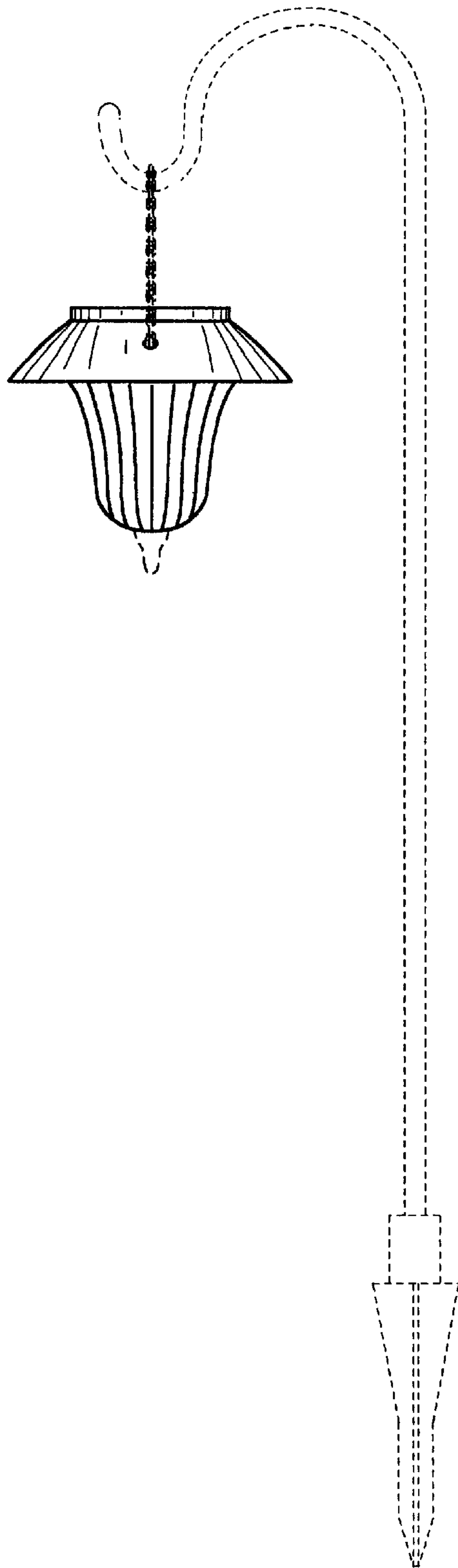


Fig. 3

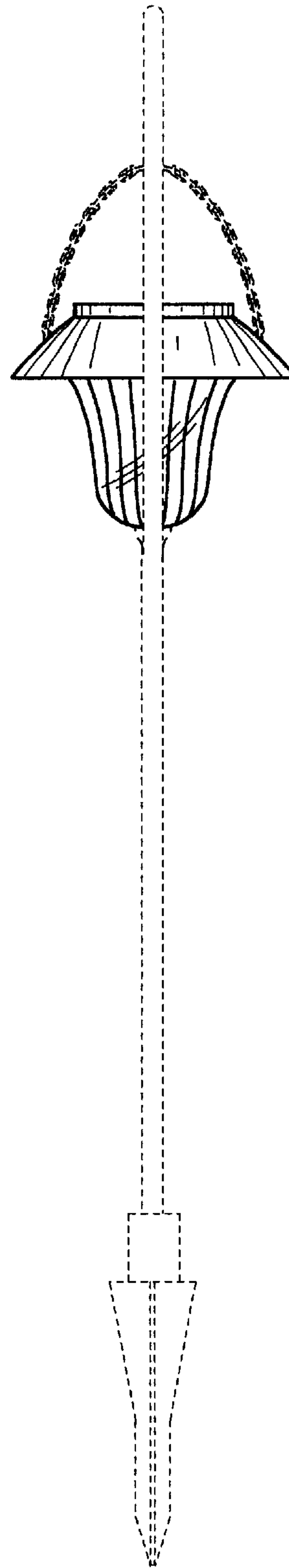


Fig. 4

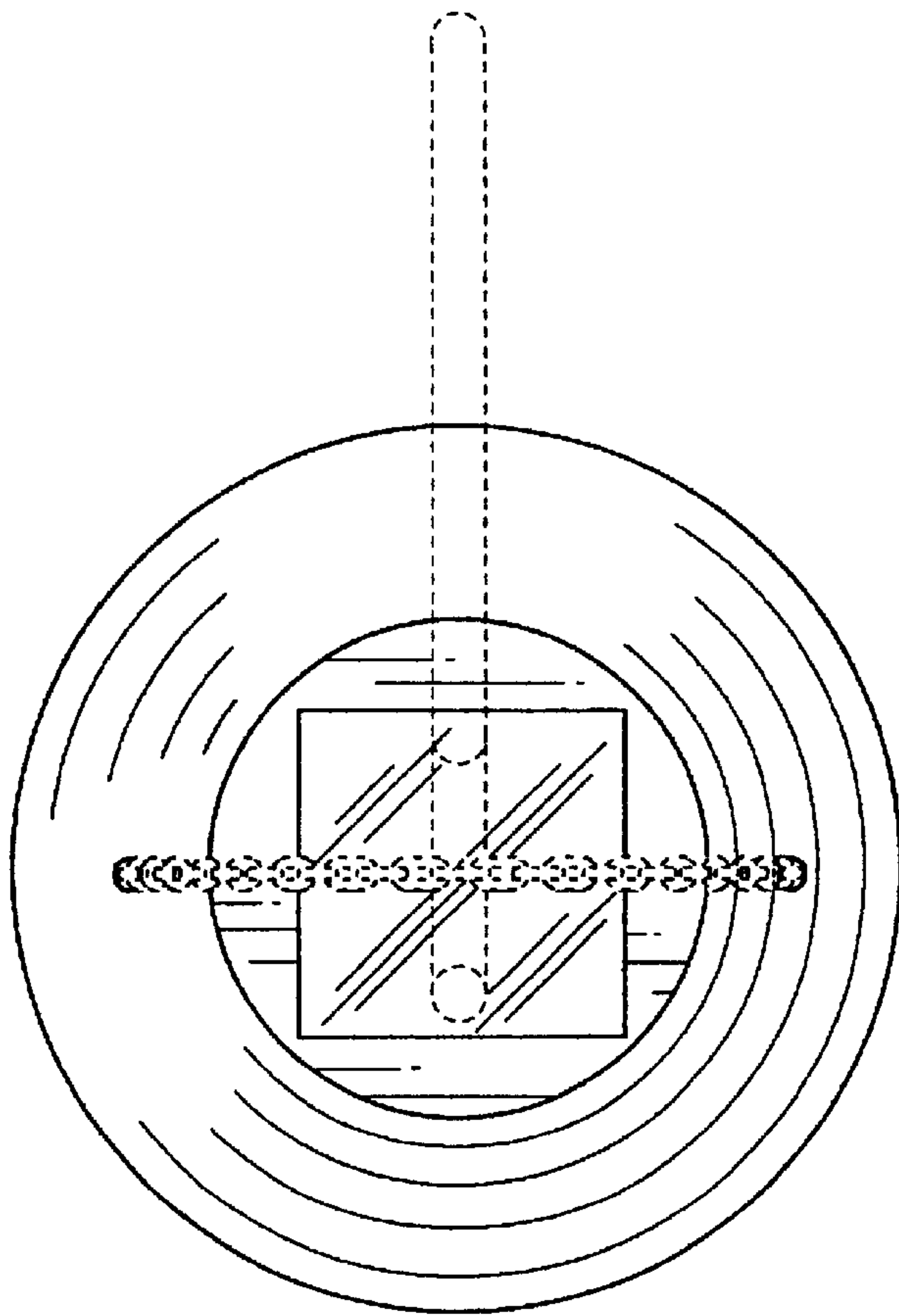


Fig. 5

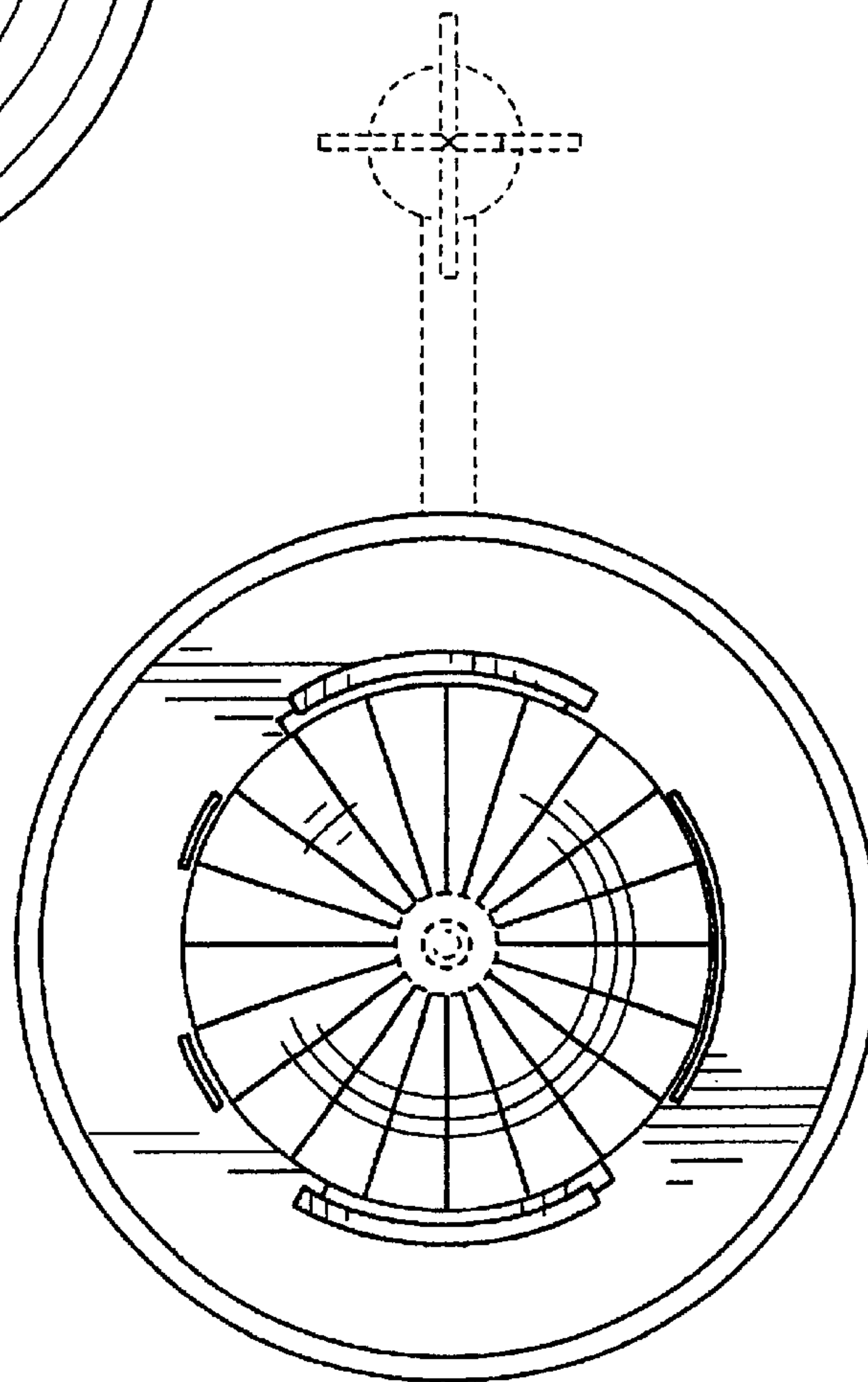


Fig. 6