



US00D535424S

(12) **United States Design Patent**
Mier-Langner et al.

(10) **Patent No.:** **US D535,424 S**

(45) **Date of Patent:** **** Jan. 16, 2007**

(54) **TRACK LIGHT FIXTURE**

(75) Inventors: **Alejandro Mier-Langner**, Providence, RI (US); **Julia Fishman**, Cranston, RI (US); **James E. Kuchar**, Fall River, MA (US)

(73) Assignee: **Genlyte Thomas Group LLP**, Louisville, KY (US)

(**) Term: **14 Years**

(21) Appl. No.: **29/235,761**

(22) Filed: **Aug. 5, 2005**

(51) **LOC (8) Cl.** **26-05**

(52) **U.S. Cl.** **D26/63**; D26/61

(58) **Field of Classification Search** D26/61, D26/63-66, 72; 362/147, 265, 277, 278, 362/281, 282, 285, 287, 288, 306, 404, 427, 362/640, 647, 648, 652, 653, 655

See application file for complete search history.

(56) **References Cited**

U.S. PATENT DOCUMENTS

| | | | | | |
|-----------|------|---------|----------------|-------|---------|
| 5,140,507 | A * | 8/1992 | Harwood | | 362/271 |
| D354,148 | S * | 1/1995 | Roos | | D26/63 |
| 5,548,500 | A * | 8/1996 | MacKay | | 362/427 |
| 5,788,518 | A * | 8/1998 | Wachter et al. | | 439/121 |
| D437,651 | S * | 2/2001 | Tang | | D26/63 |
| 6,481,871 | B1 * | 11/2002 | Jamison | | 362/287 |
| D479,756 | S * | 9/2003 | Agro et al. | | D26/63 |
| 6,676,281 | B1 * | 1/2004 | Bray et al. | | 362/391 |
| 6,869,209 | B1 * | 3/2005 | Layne et al. | | 362/404 |

| | | | | | |
|--------------|------|--------|---------------------|-------|---------|
| 2002/0064049 | A1 * | 5/2002 | Layne et al. | | 362/404 |
| 2006/0039168 | A1 * | 2/2006 | Mier-Langner et al. | | 362/648 |

OTHER PUBLICATIONS

W.A.C. Aiming Track Head seen in Lamps Plus online catalog on Sep. 1, 2005 at www.lampsplus.com.*

* cited by examiner

Primary Examiner—Clare E Heflin

(74) *Attorney, Agent, or Firm*—John F. Salazar; Middleton Reutlinger

(57) **CLAIM**

The ornamental design for a track light fixture, as shown and described.

DESCRIPTION

FIG. 1 is a perspective view of the track light fixture of the present invention;

FIG. 2 is a right side view of the design of the present invention;

FIG. 3 is a rear view of the design of the present invention;

FIG. 4 is a front view of the design of the present invention;

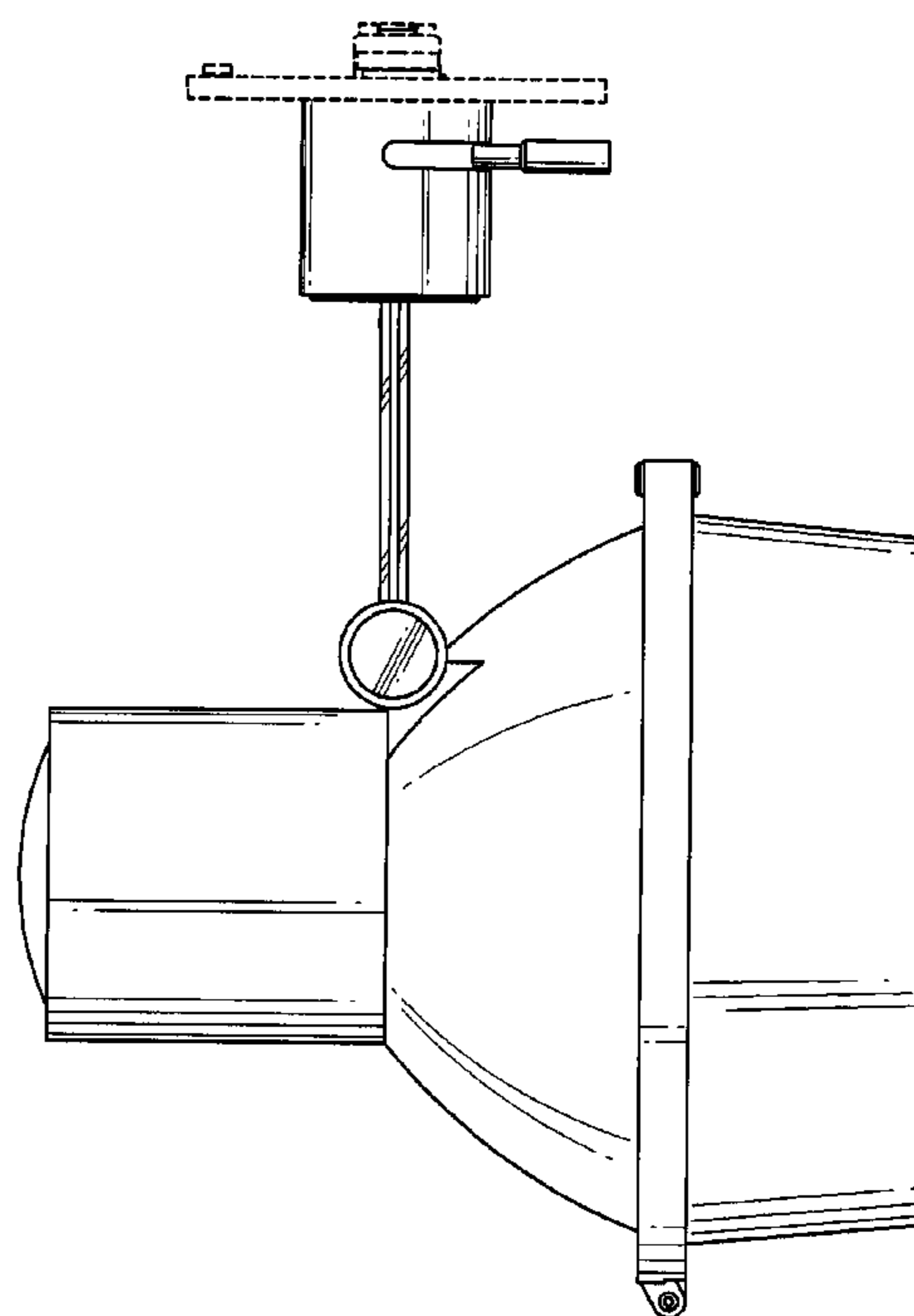
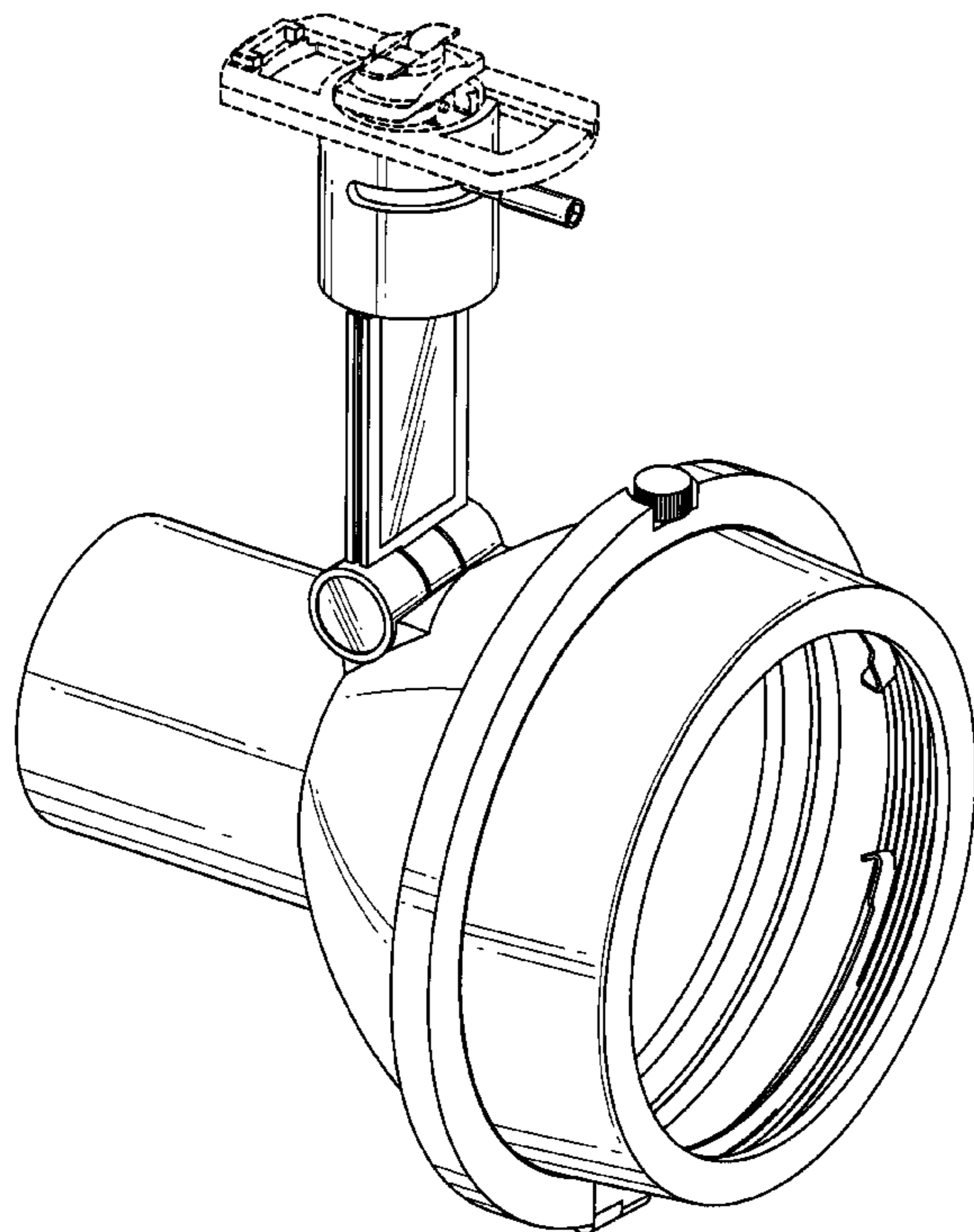
FIG. 5 is a top view of the design of the present invention;

FIG. 6 is a bottom view of the design of the present invention; and,

FIG. 7 is a left side view of the design of the present invention.

The broken lines showing environmental structure are for illustrative purposes only and form no part of the claimed design.

1 Claim, 7 Drawing Sheets



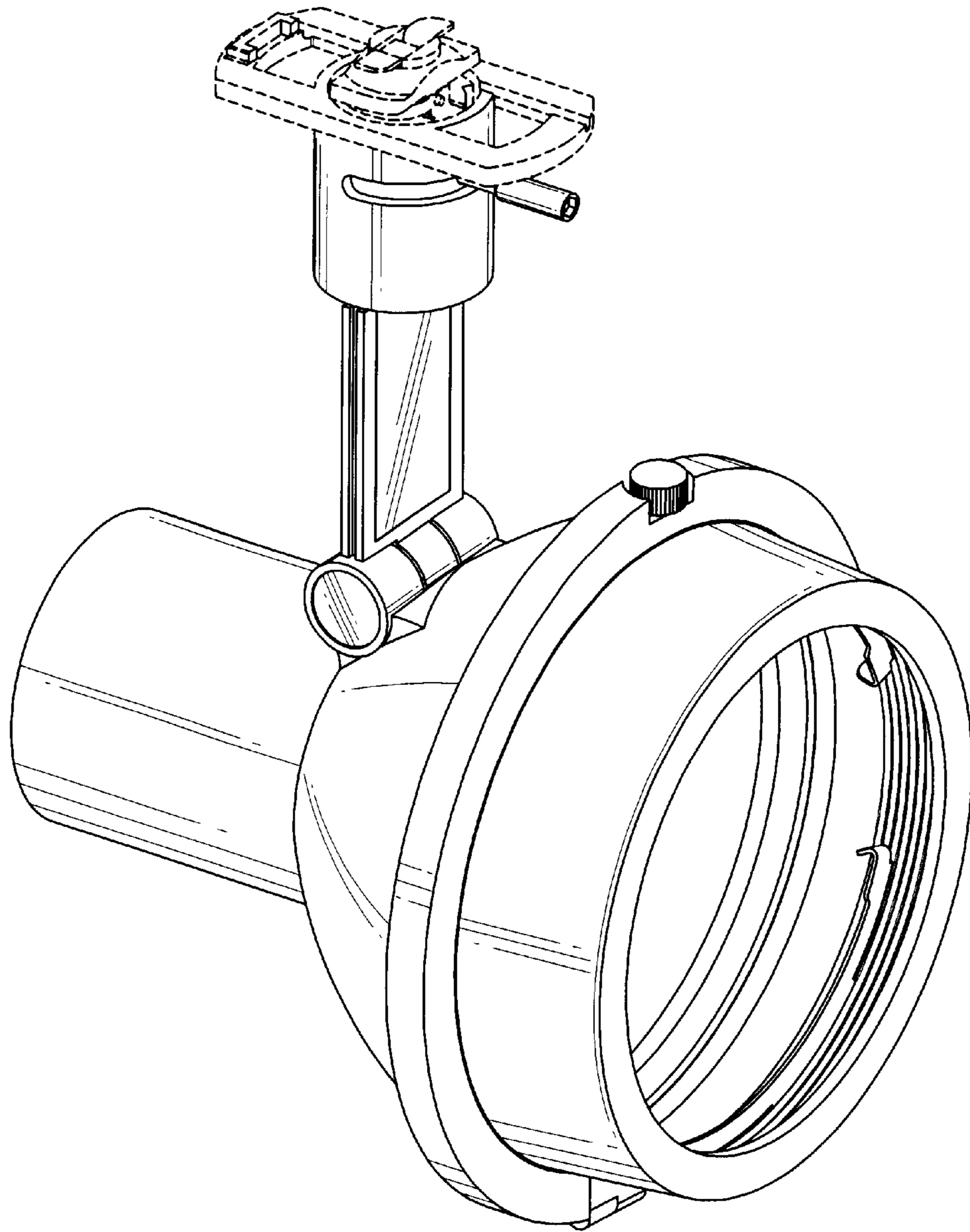


FIG. 1

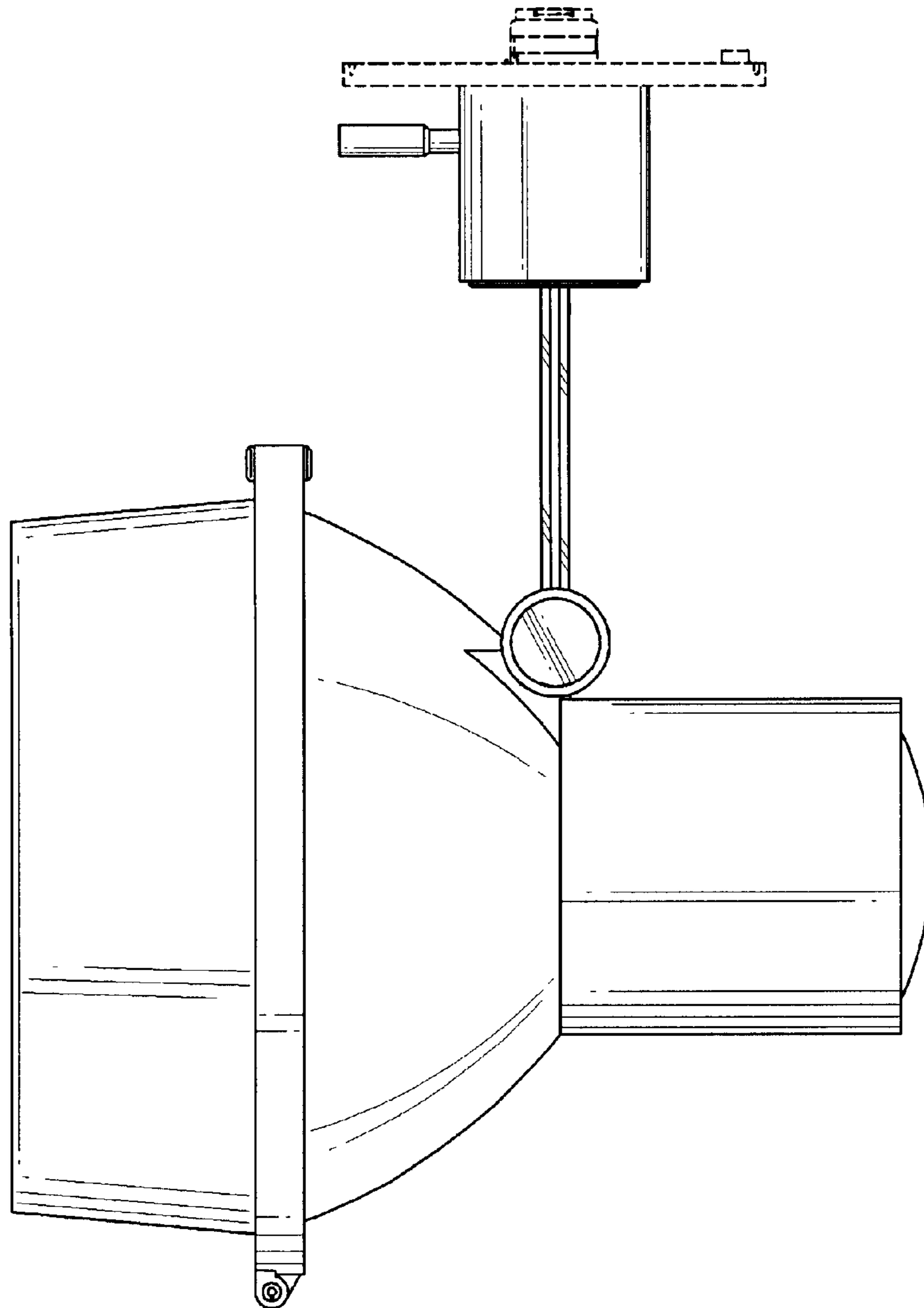


FIG. 2

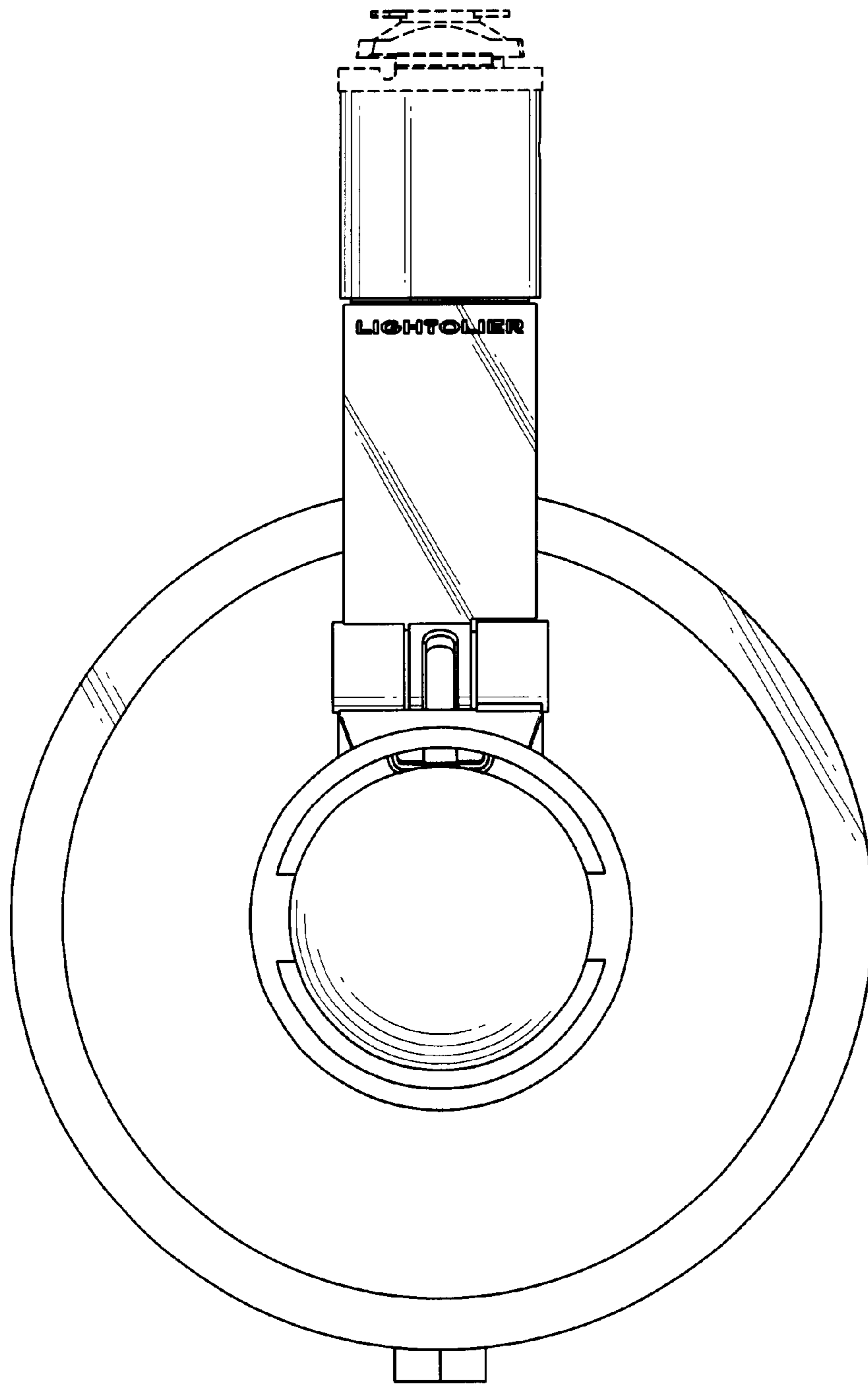


FIG. 3

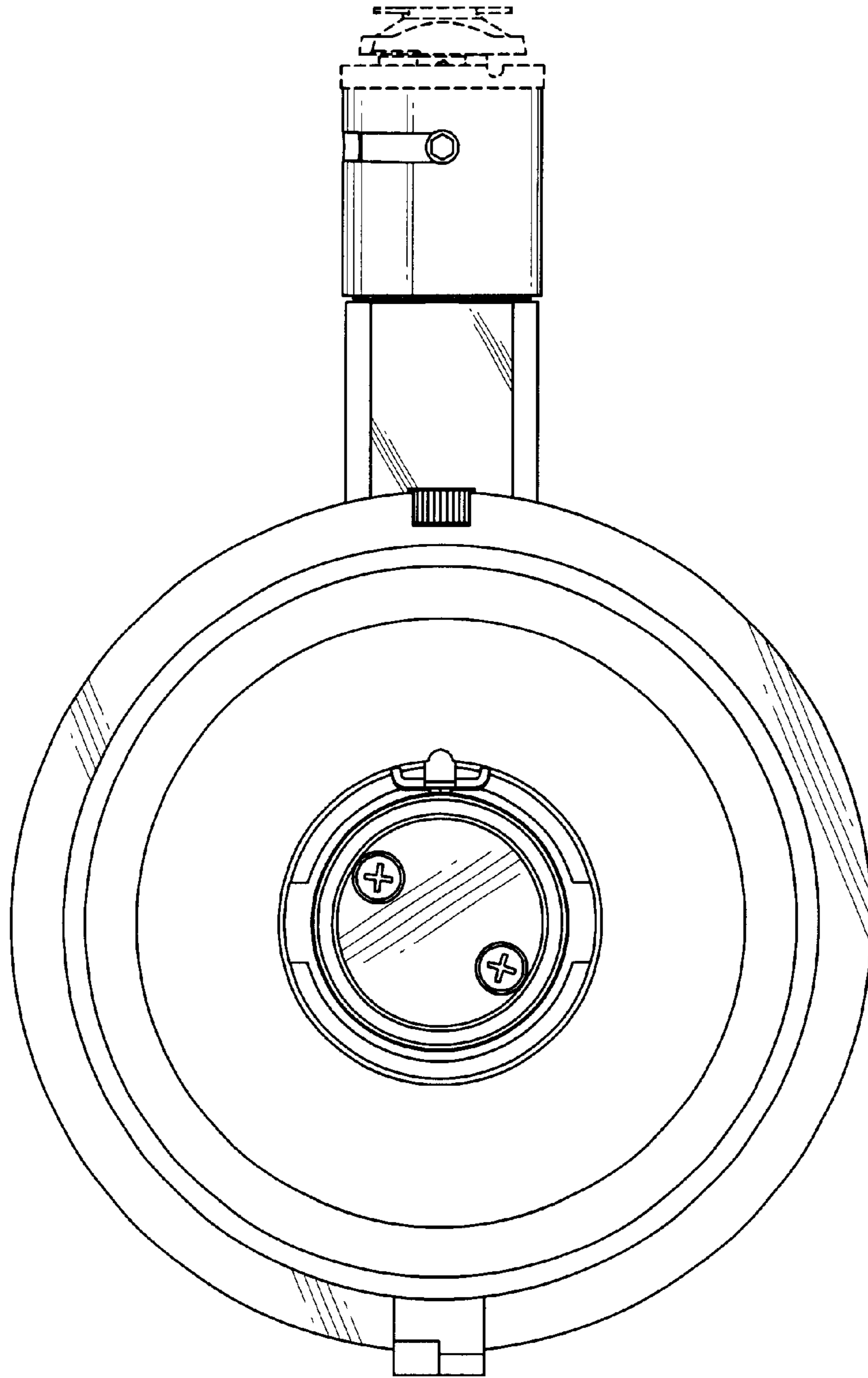


FIG. 4

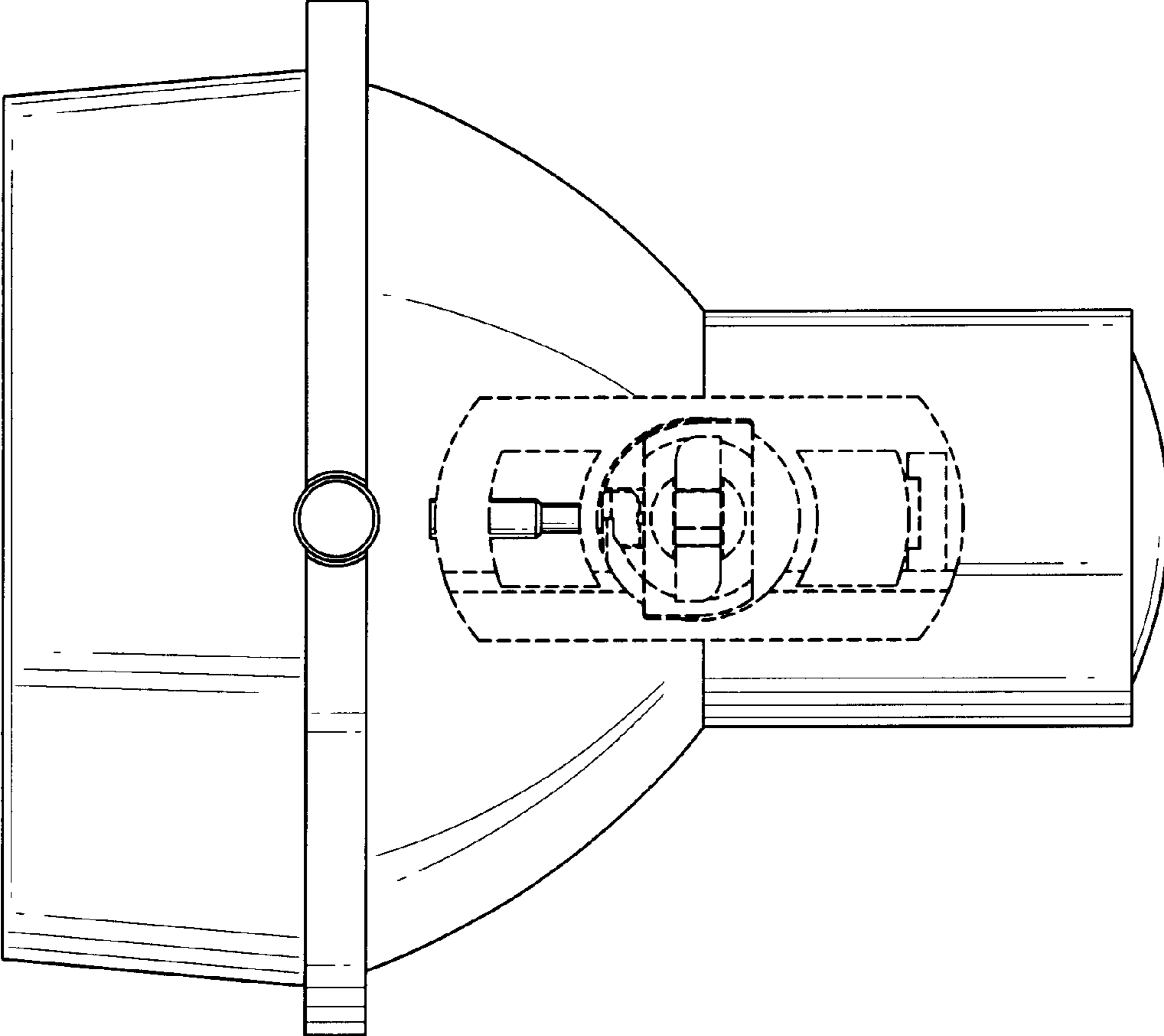


FIG. 5

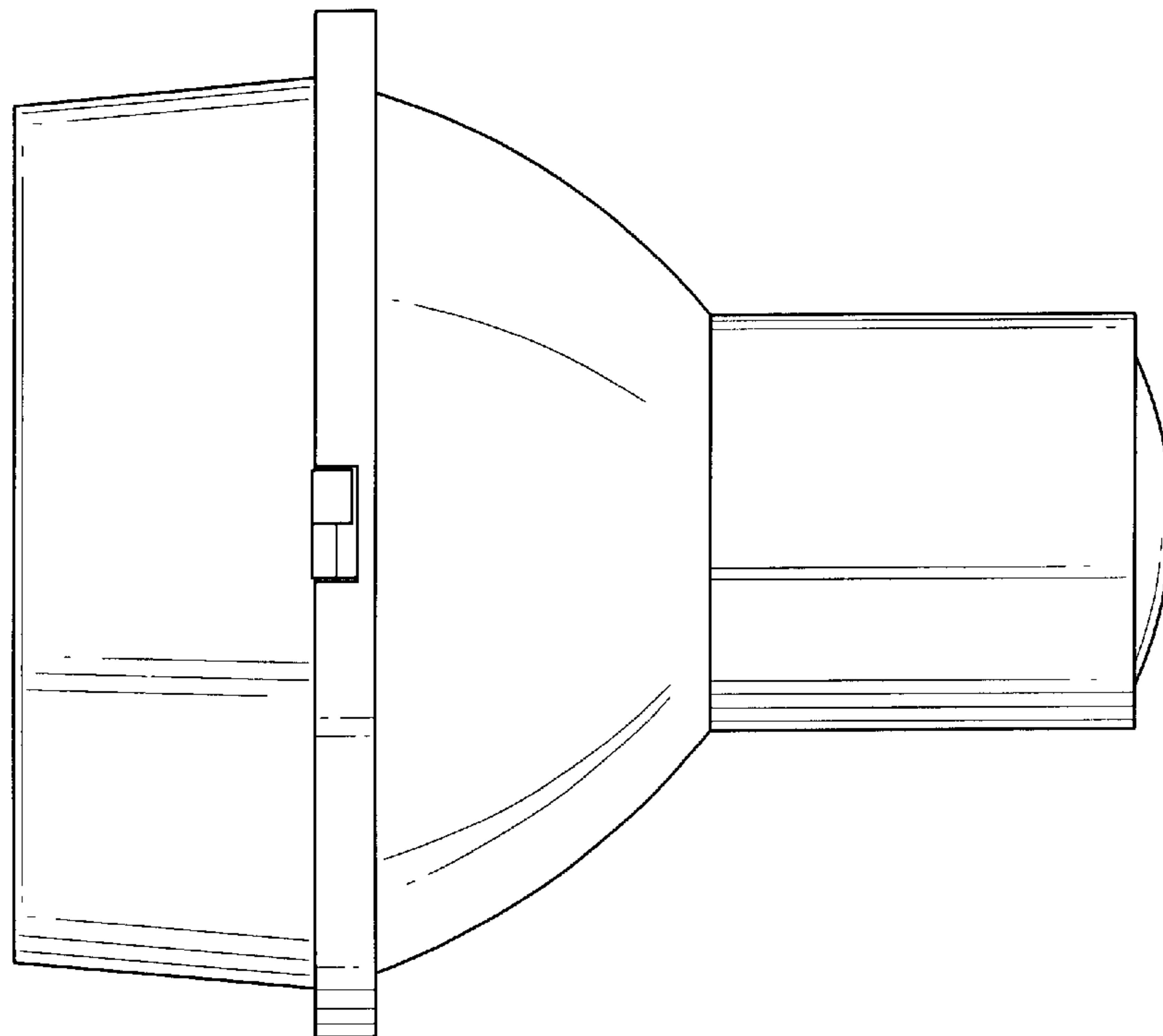


FIG. 6

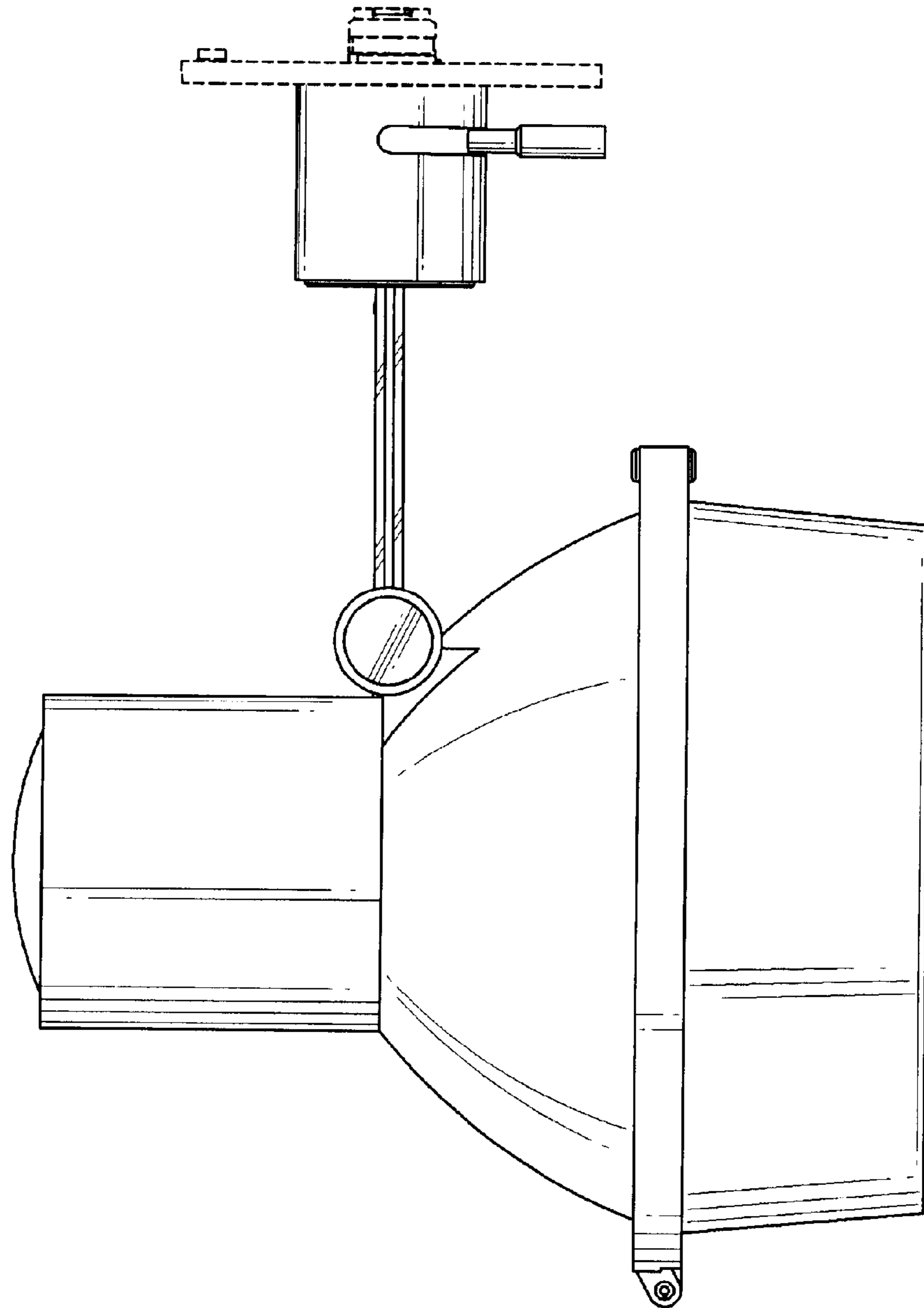


FIG. 7