



US00D535421S

(12) **United States Design Patent**
Pickett

(10) **Patent No.:** **US D535,421 S**

(45) **Date of Patent:** **** Jan. 16, 2007**

(54) **CEILING FAN LIGHT KIT**

(76) **Inventor:** **Mark Pickett**, 1419 E. Palm St.,
Altadena, CA (US) 81001

(**) **Term:** **14 Years**

(21) **Appl. No.:** **29/245,891**

(22) **Filed:** **Dec. 30, 2005**

(51) **LOC (8) Cl.** **26-05**

(52) **U.S. Cl.** **D26/59**

(58) **Field of Classification Search** D26/59,
D26/51, 72, 80-86, 73; D23/377, 379, 385,
D23/411; 362/96; 416/5
See application file for complete search history.

(56) **References Cited**

U.S. PATENT DOCUMENTS

D420,161 S * 2/2000 Zuege D26/84

D510,766 S * 10/2005 Thomas, Jr. D23/411

* cited by examiner

Primary Examiner—Lisa Lichtenstein

(74) *Attorney, Agent, or Firm*—Parsons & Goltry; Michael
W. Goltry; Robert A. Parsons

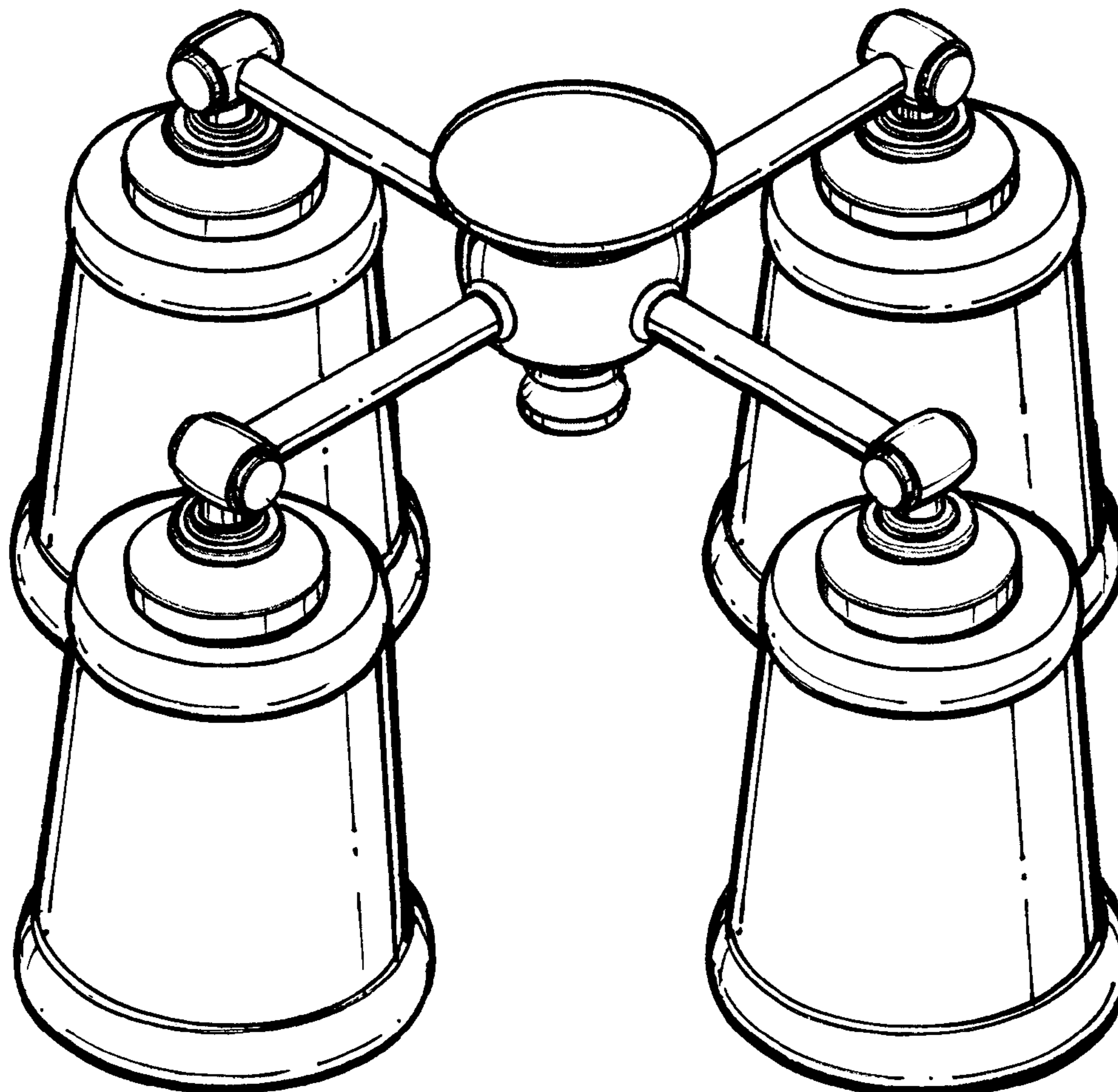
(57) **CLAIM**

The ornamental design for a ceiling fan light kit, as shown
and described.

DESCRIPTION

FIG. 1 is a top perspective view of a ceiling fan light kit
showing my new design;
FIG. 2 is bottom perspective view thereof;
FIG. 3 a top plan view thereof;
FIG. 4 is a bottom plan view thereof; and,
FIG. 5 is front elevational view thereof, the rear elevational
view thereof, the left side elevational view thereof, and the
right side elevational view thereof being substantially the
same thereof.

1 Claim, 5 Drawing Sheets



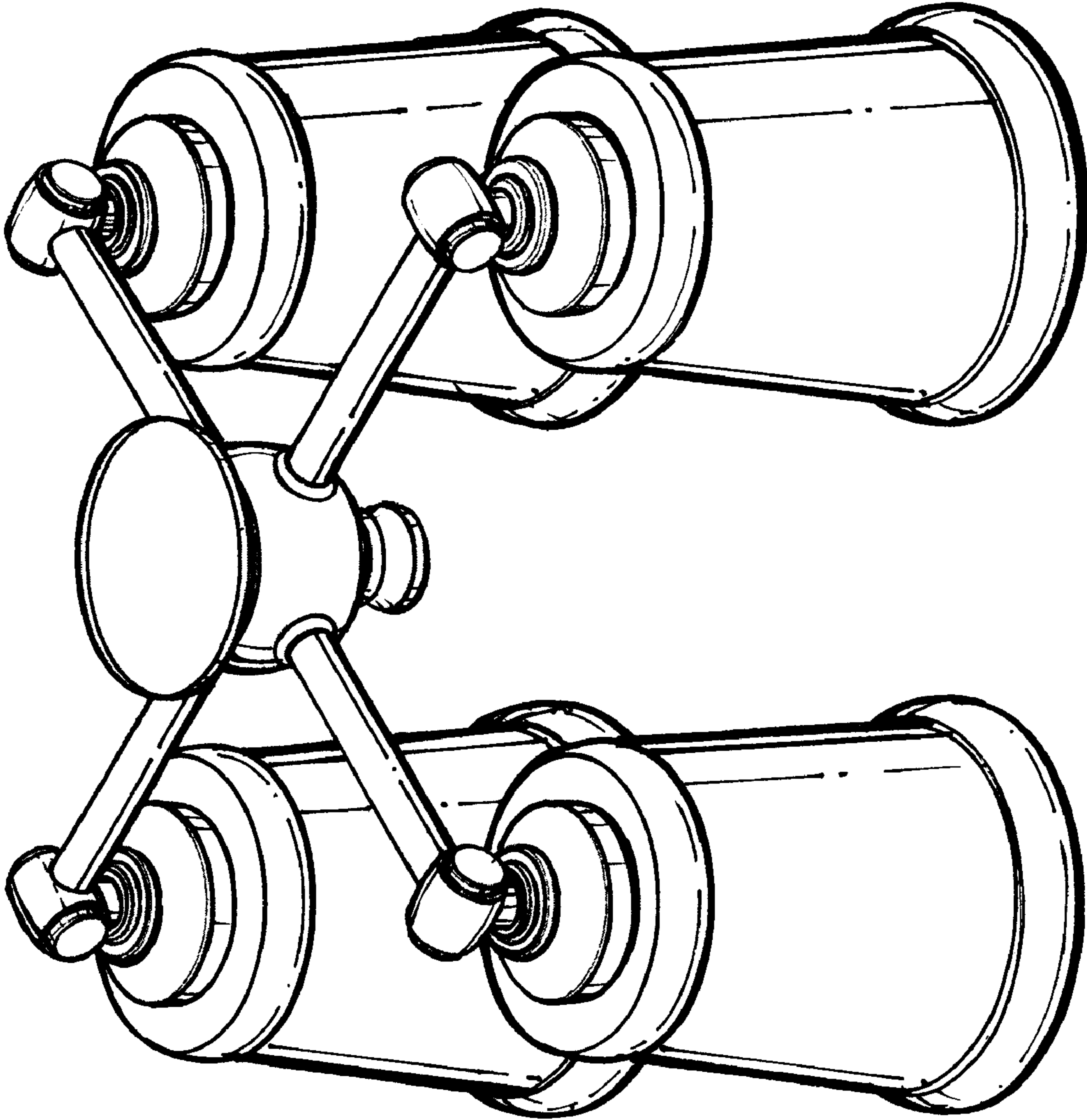
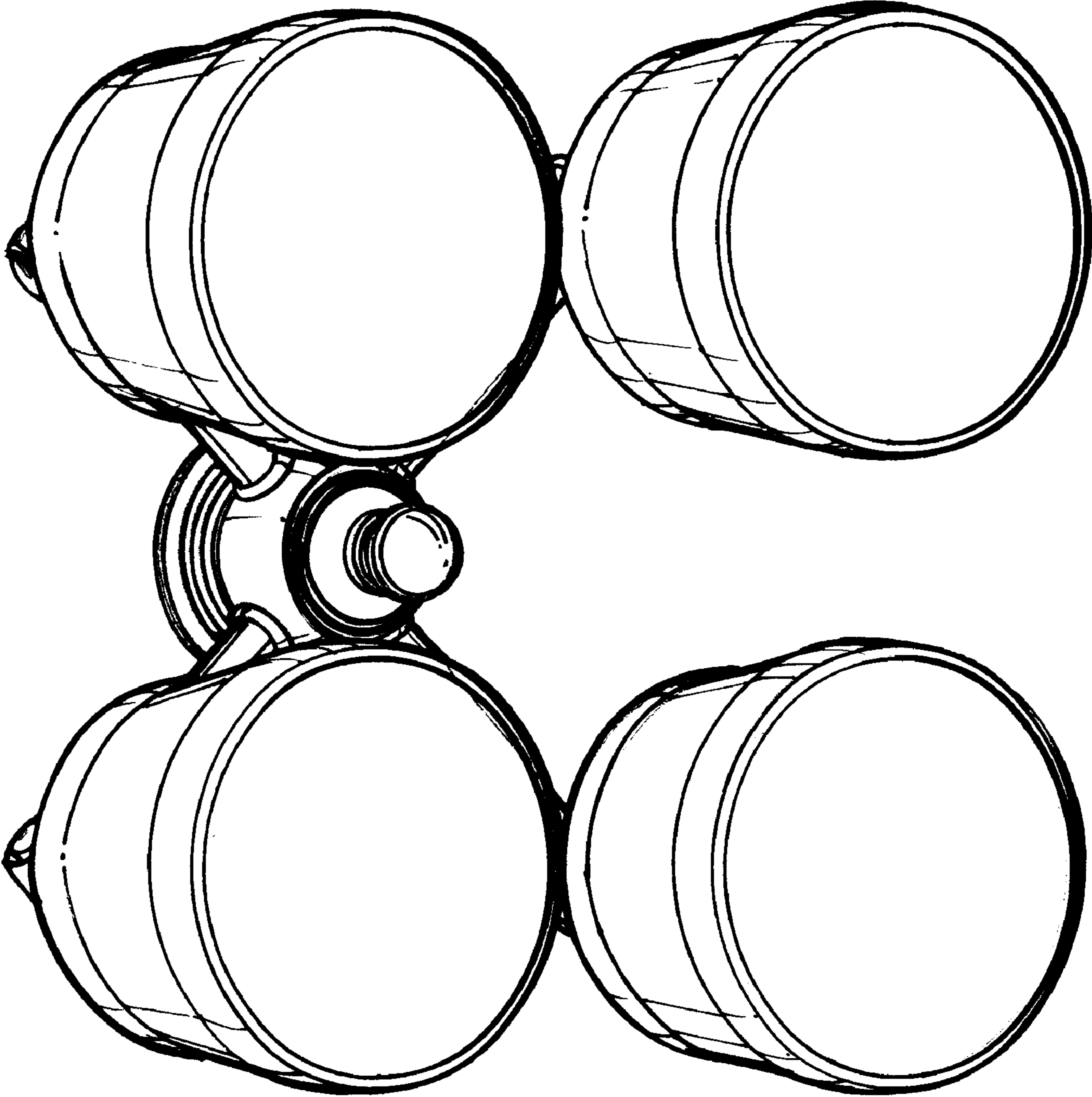


FIGURE 1

FIGURE 2



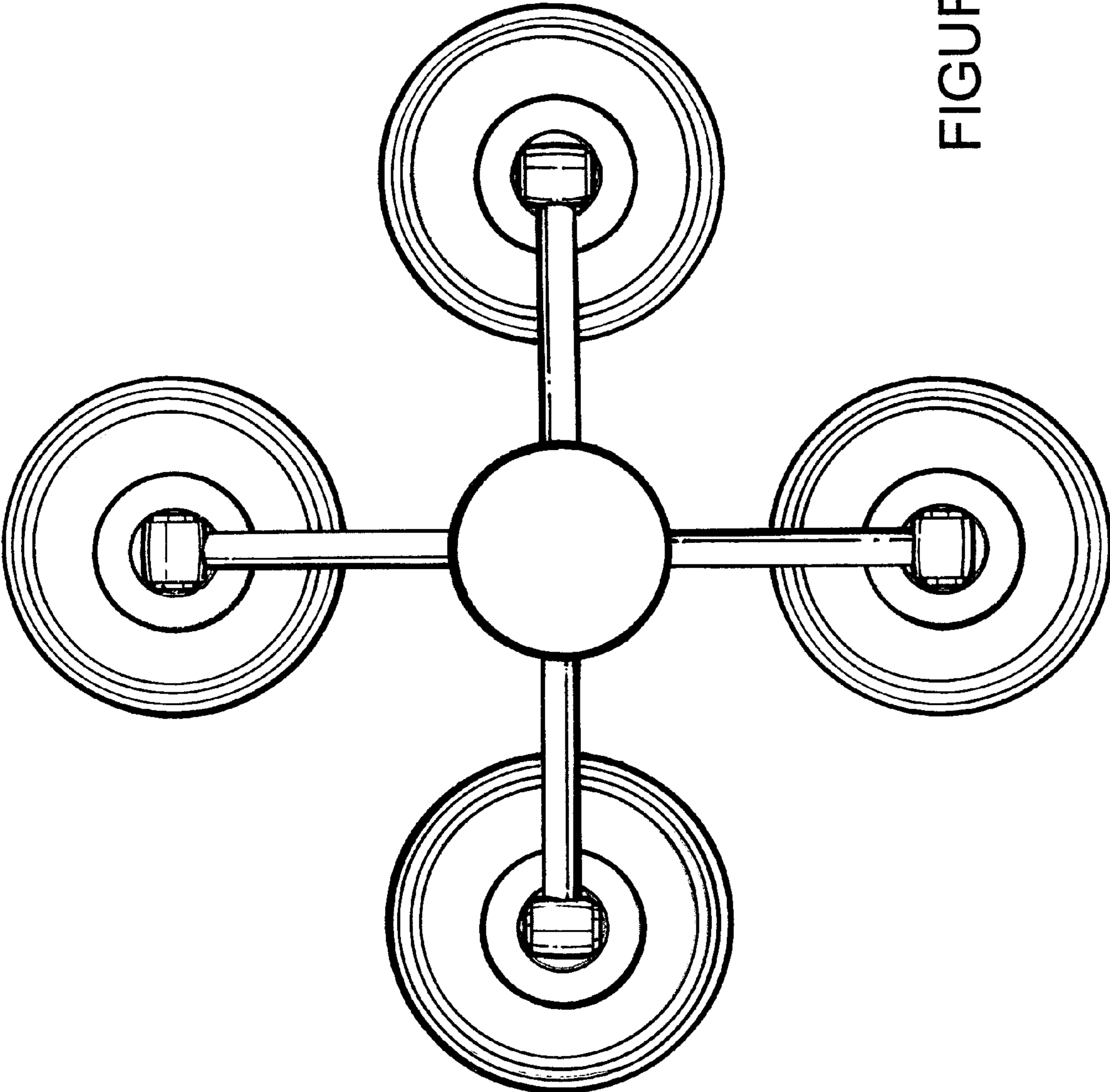


FIGURE 3

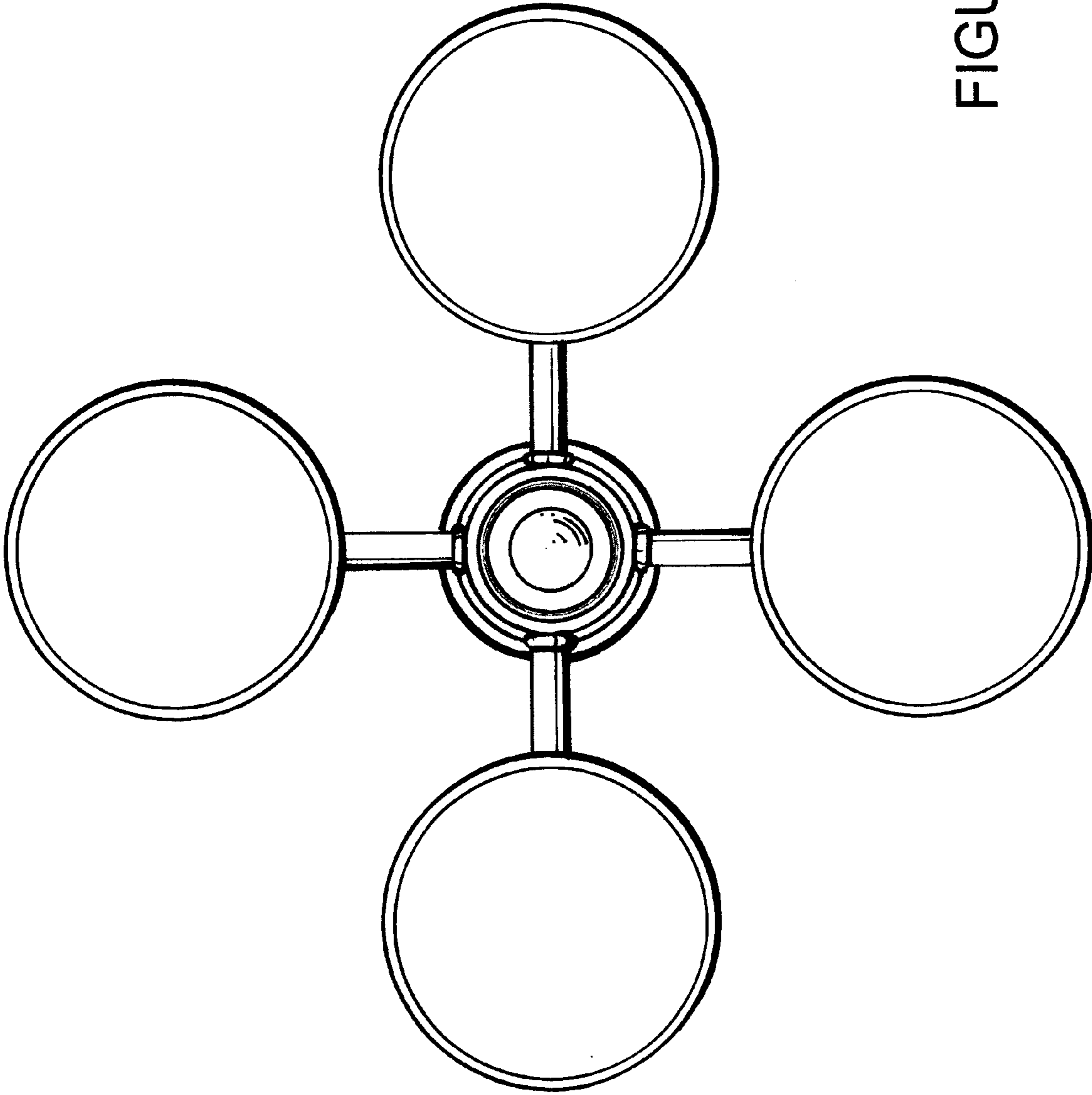


FIGURE 4

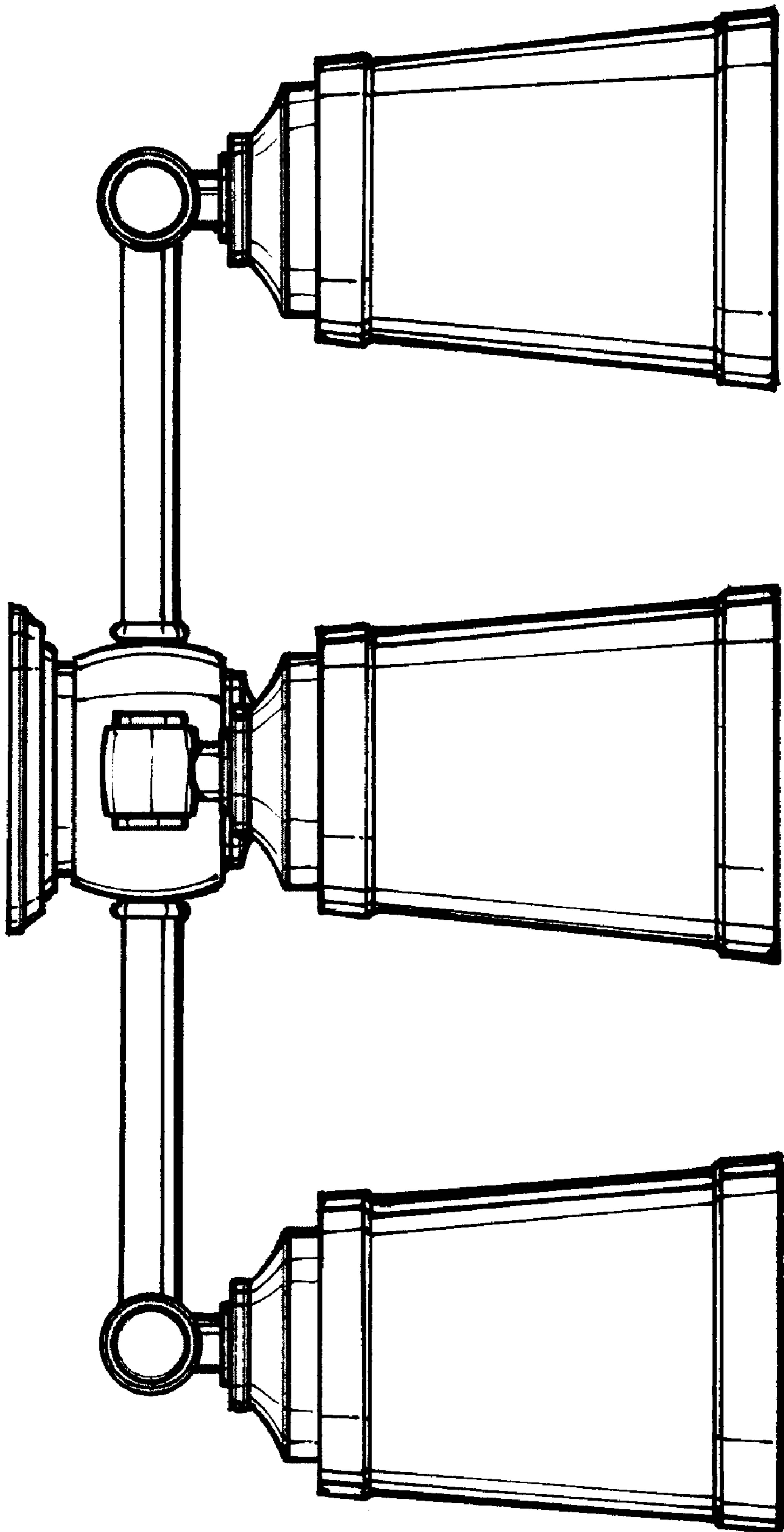


FIGURE 5