



US00D535419S

(12) **United States Design Patent**  
**Shiu**

(10) **Patent No.:** **US D535,419 S**

(45) **Date of Patent:** **\*\* Jan. 16, 2007**

(54) **LANTERN**

(75) **Inventor:** **Stephanie Wai Man Shiu**, Hong Kong  
(HK)

(73) **Assignee:** **Gold Coral International Limited**,  
Kowloon (HK)

(\*\*) **Term:** **14 Years**

(21) **Appl. No.:** **29/240,190**

(22) **Filed:** **Oct. 11, 2005**

(30) **Foreign Application Priority Data**

Apr. 13, 2000 (HK) ..... 0500757.0M003

(51) **LOC (8) Cl.** ..... **26-02**

(52) **U.S. Cl.** ..... **D26/40**

(58) **Field of Classification Search** ..... D26/37-50;  
362/157, 158, 171-174, 183-208  
See application file for complete search history.

(56) **References Cited**

**U.S. PATENT DOCUMENTS**

D374,296 S \* 10/1996 Lo ..... D26/37  
5,860,729 A \* 1/1999 Bamber ..... 362/184

D424,726 S \* 5/2000 Petterson et al. .... D26/40  
D443,088 S \* 5/2001 Skidmore et al. .... D26/40  
D485,385 S \* 1/2004 Lo ..... D26/40  
D486,039 S \* 2/2004 Kasper ..... D7/629  
D486,598 S \* 2/2004 Lo ..... D26/40

\* cited by examiner

*Primary Examiner*—Marcus A. Jackson

(74) *Attorney, Agent, or Firm*—Joseph G. Swan, PC

(57) **CLAIM**

The ornamental design for a lantern, as shown and described.

**DESCRIPTION**

FIG. 1 is a top plan view of a lantern according to the present invention.

FIG. 2 is a front elevational view of the lantern.

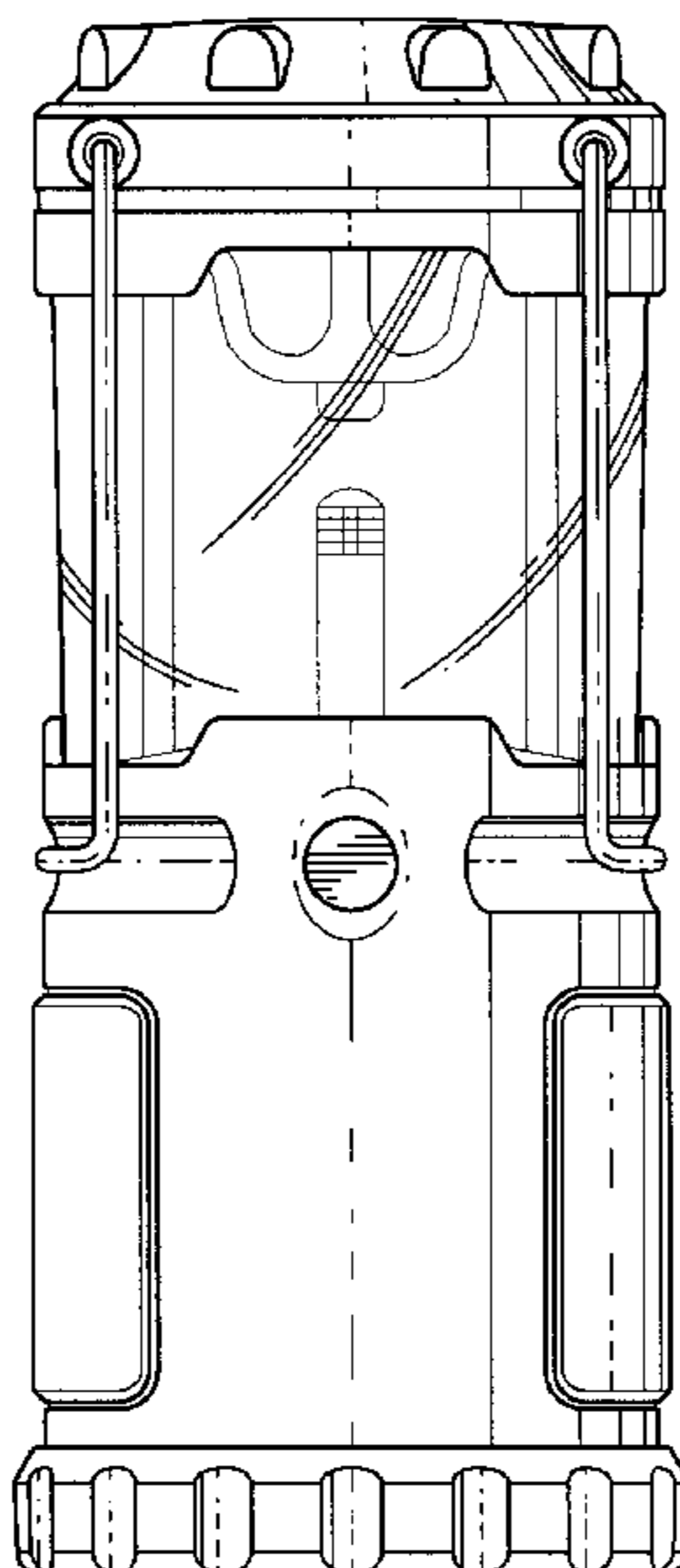
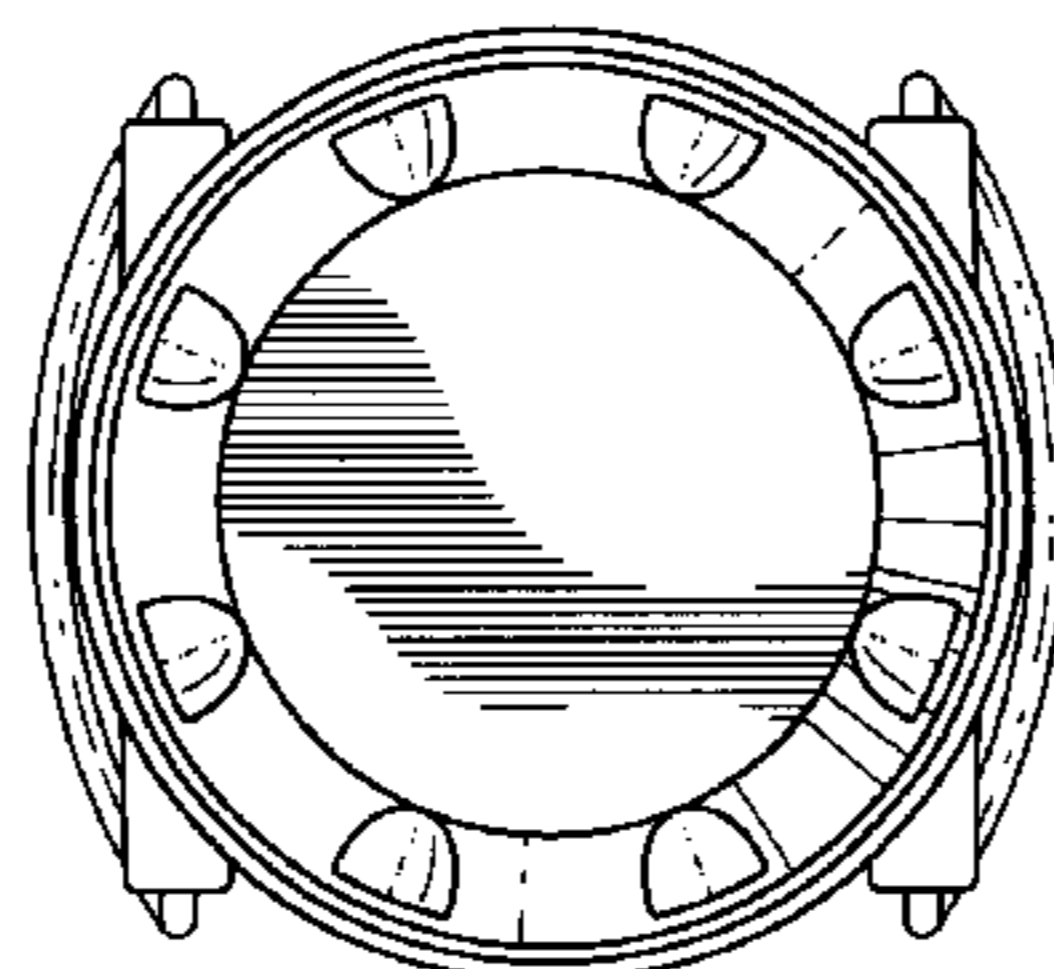
FIG. 3 is a rear elevational view of the lantern.

FIG. 4 is a bottom plan view of the lantern.

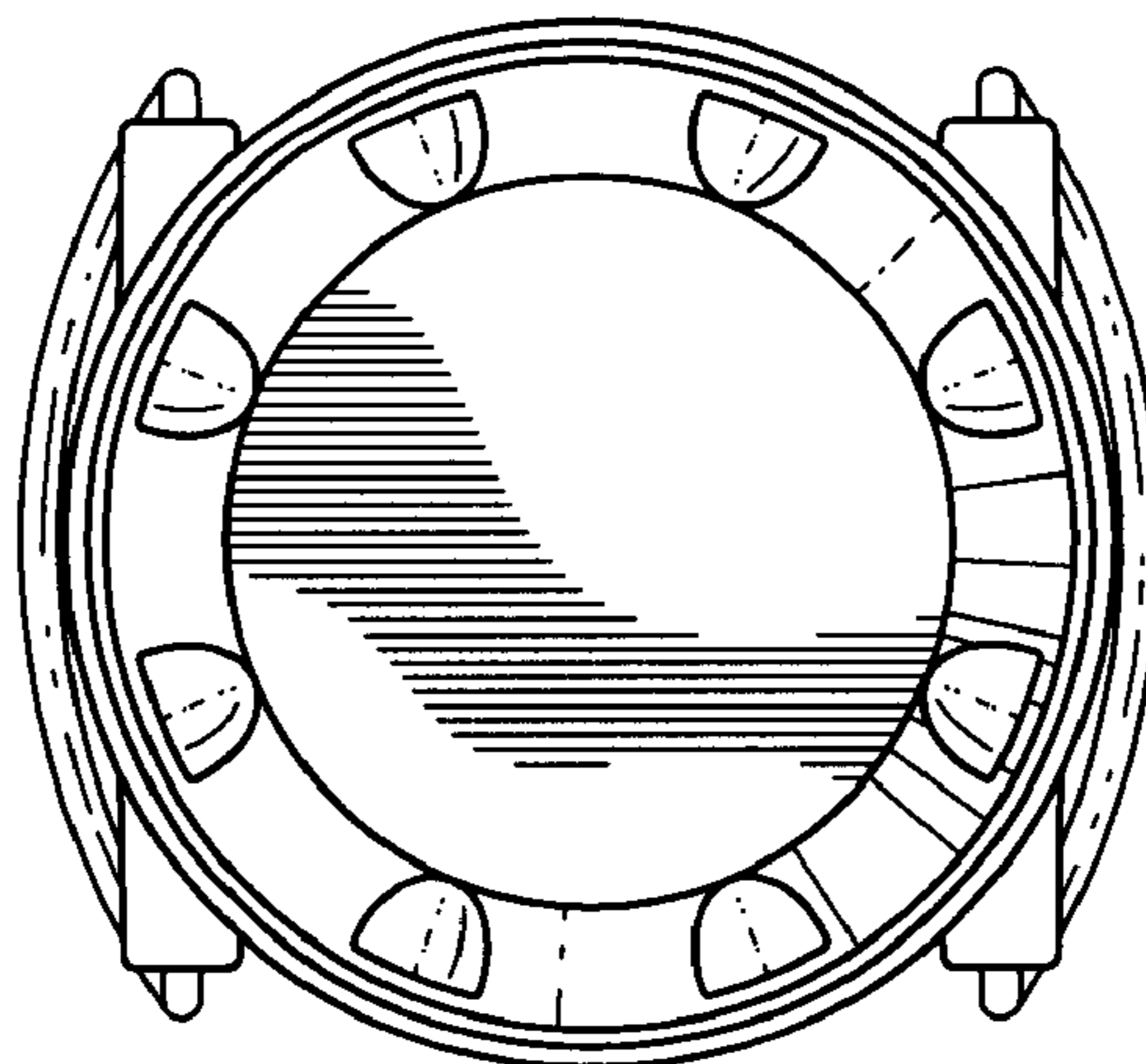
FIG. 5 is a left side elevational view of the lantern, with the right side elevational view being a mirror image of the left side elevational view; and,

FIG. 6 is a left side elevational view of the lantern with the handles raised.

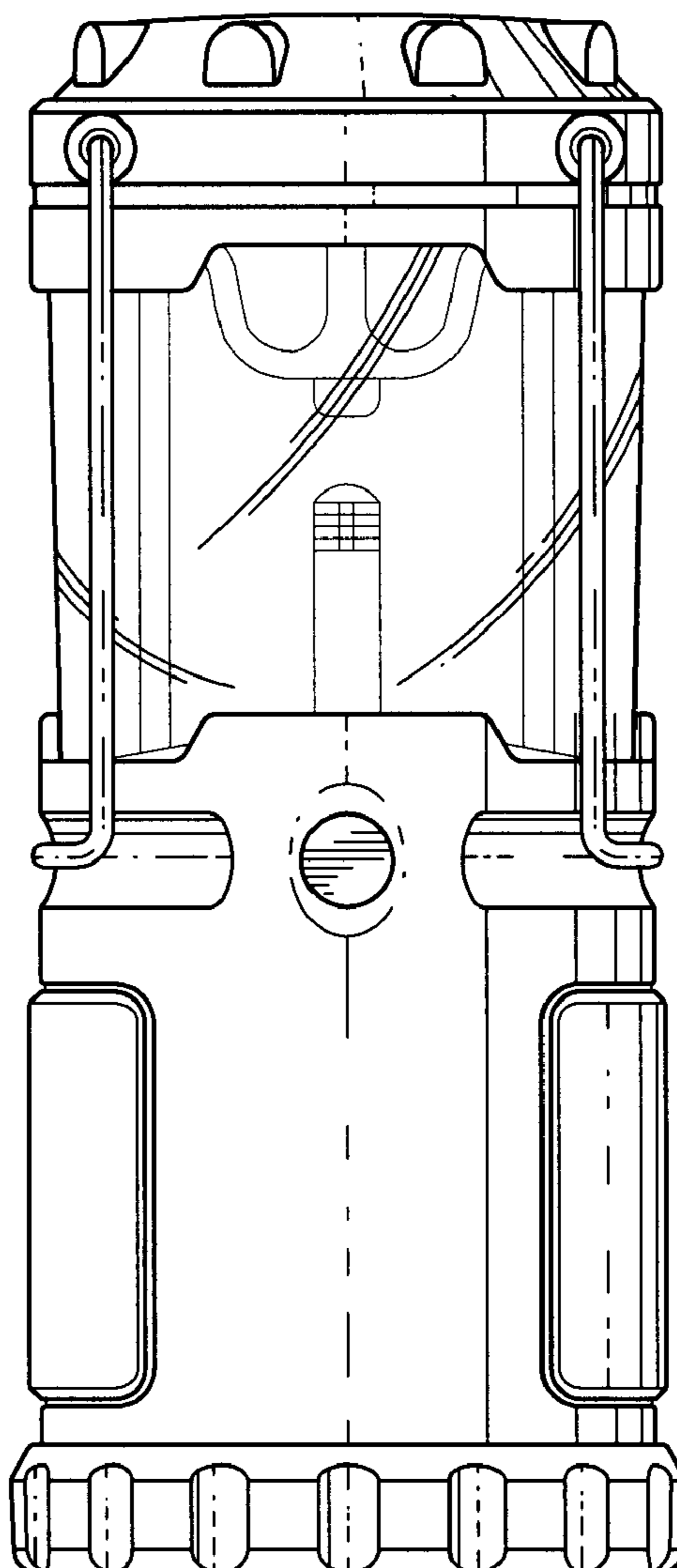
**1 Claim, 3 Drawing Sheets**



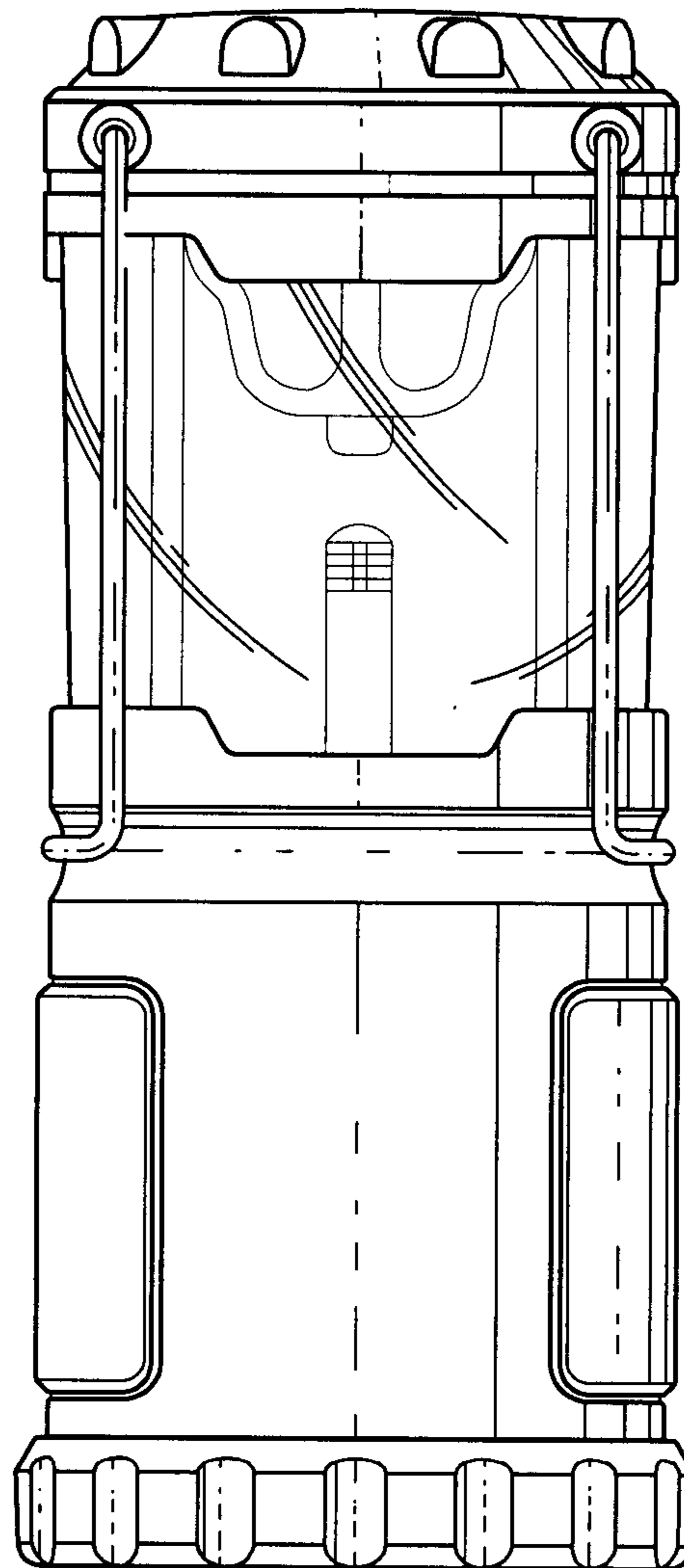
*FIG. 1*



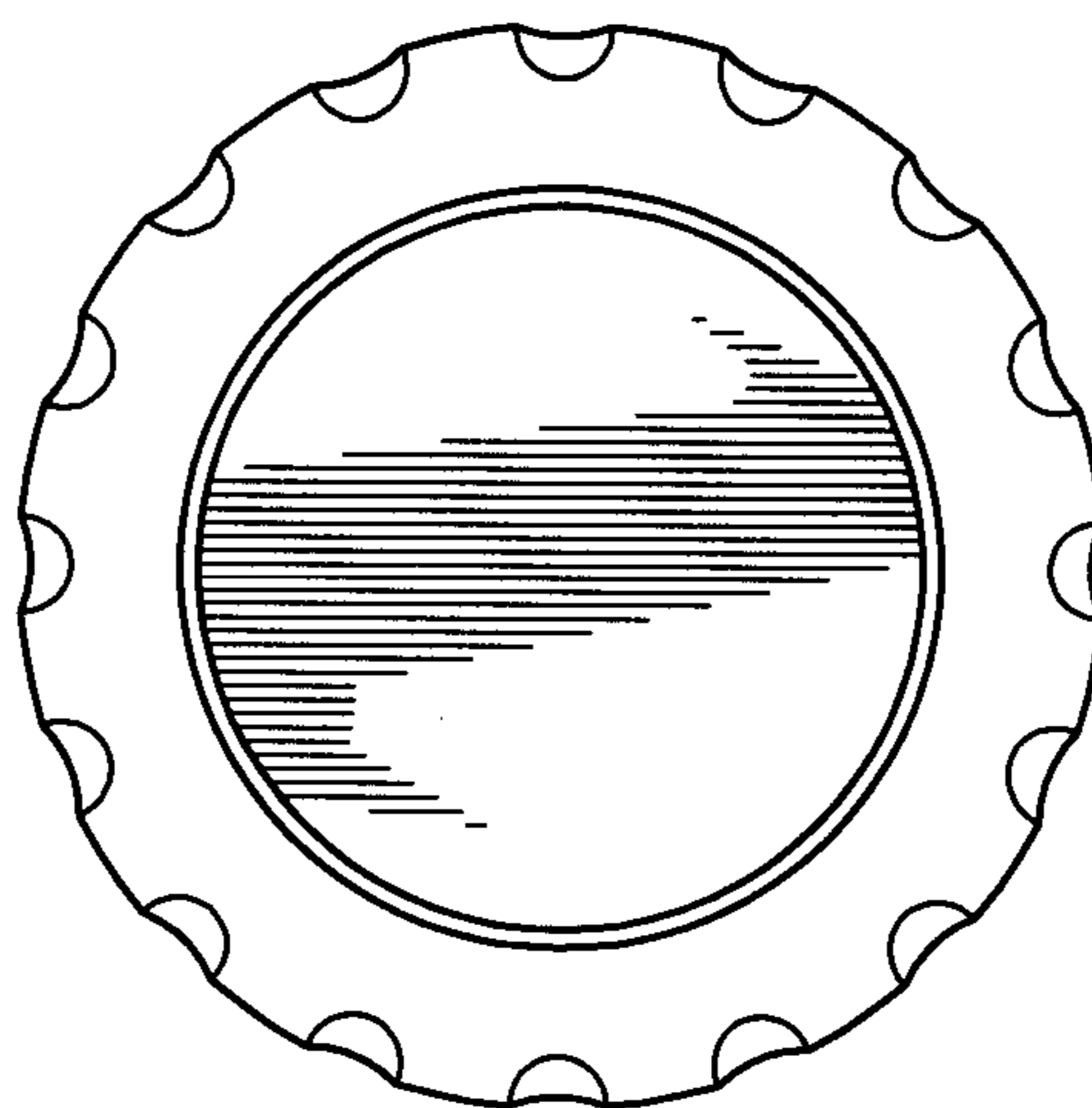
*FIG. 2*

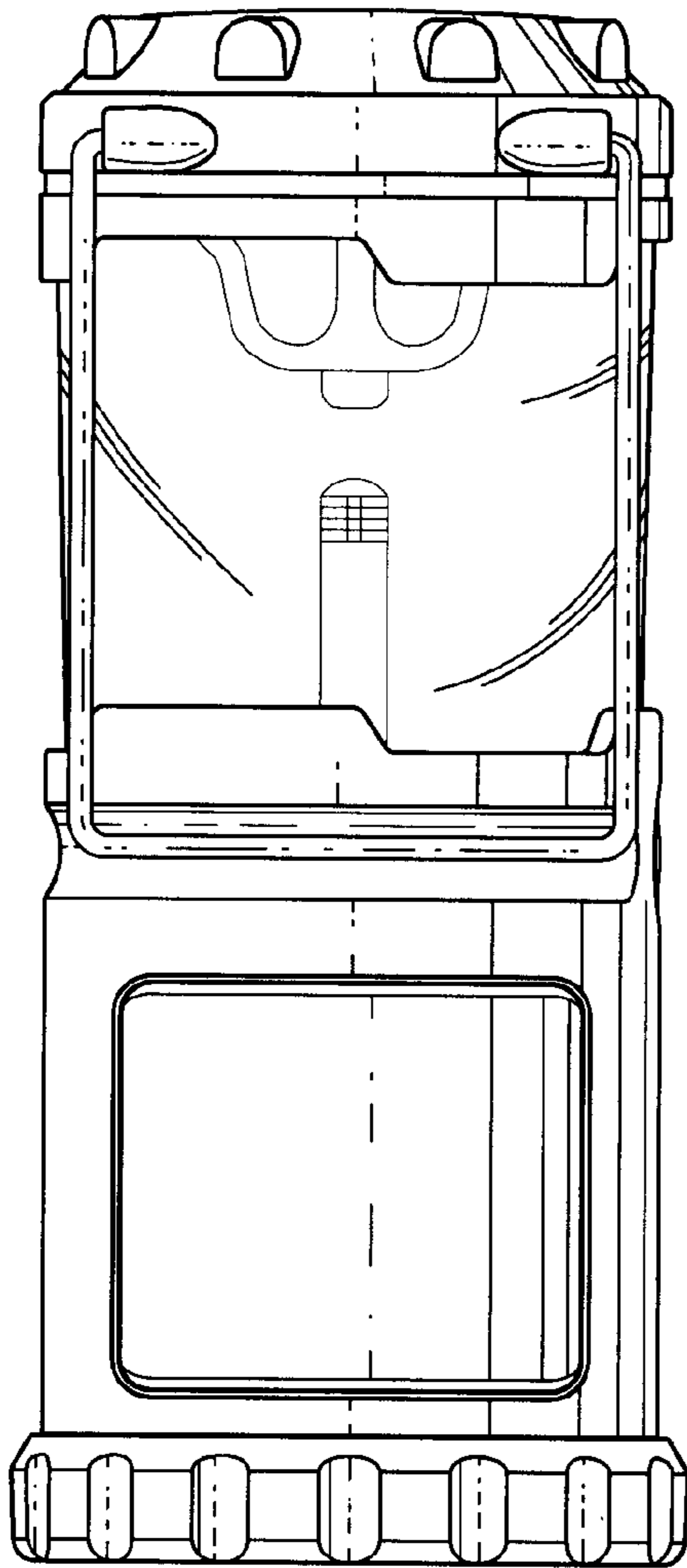


*FIG. 3*

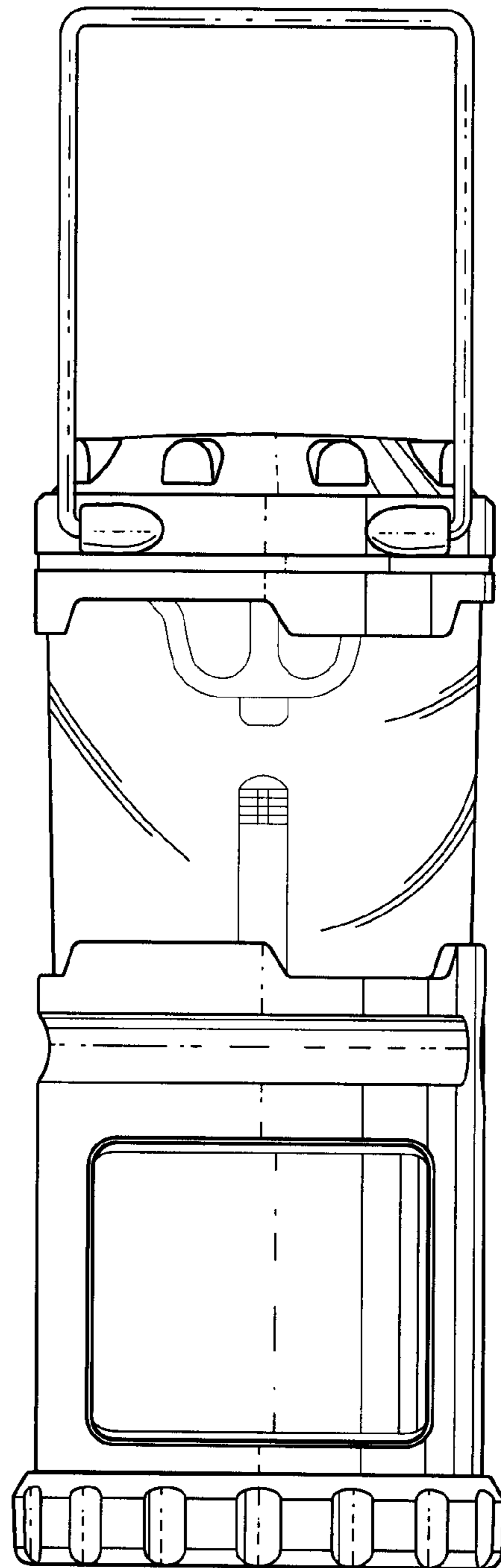


*FIG. 4*





*FIG. 5*



*FIG. 6*