



US00D535418S

(12) **United States Design Patent**  
**Martin**

(10) **Patent No.:** **US D535,418 S**

(45) **Date of Patent:** **\*\* Jan. 16, 2007**

(54) **FLASHLIGHT**

D524,468 S \* 7/2006 Chean ..... D26/37  
D525,379 S \* 7/2006 Maxik et al. .... D26/37  
D526,730 S \* 8/2006 Galli ..... D26/37

(75) **Inventor:** **Richard W. Martin**, San Antonio, TX  
(US)

\* cited by examiner

(73) **Assignee:** **Lightstick Partners, LLC**, San  
Antonio, TX (US)

*Primary Examiner*—Marcus A. Jackson

(74) *Attorney, Agent, or Firm*—Christopher L. Makay

(\*\*) **Term:** **14 Years**

(57) **CLAIM**

(21) **Appl. No.:** **29/241,183**

The ornamental design for a flashlight, as shown and described.

(22) **Filed:** **Oct. 25, 2005**

**DESCRIPTION**

(51) **LOC (8) Cl.** ..... **26-02**

FIG. 1 is a perspective view of the flashlight according to my new design;

(52) **U.S. Cl.** ..... **D26/37**

FIG. 2 is a right side view thereof;

(58) **Field of Classification Search** ..... D26/37-50;

FIG. 3 is a front view thereof;

362/157, 158, 171-174, 183-208

FIG. 4 is a top view thereof;

See application file for complete search history.

FIG. 5 is a bottom view thereof;

(56) **References Cited**

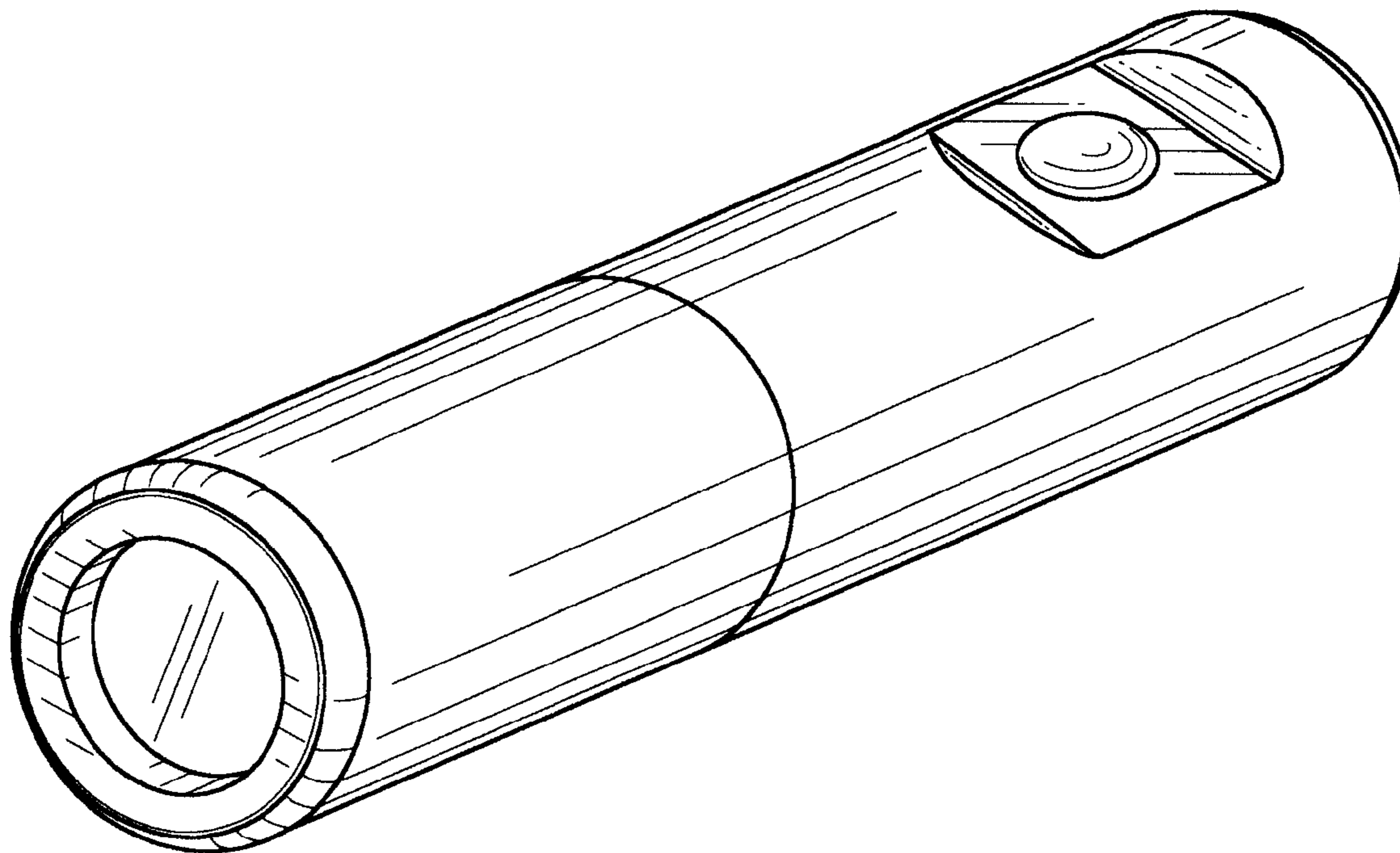
FIG. 6 is a rear view thereof; and,

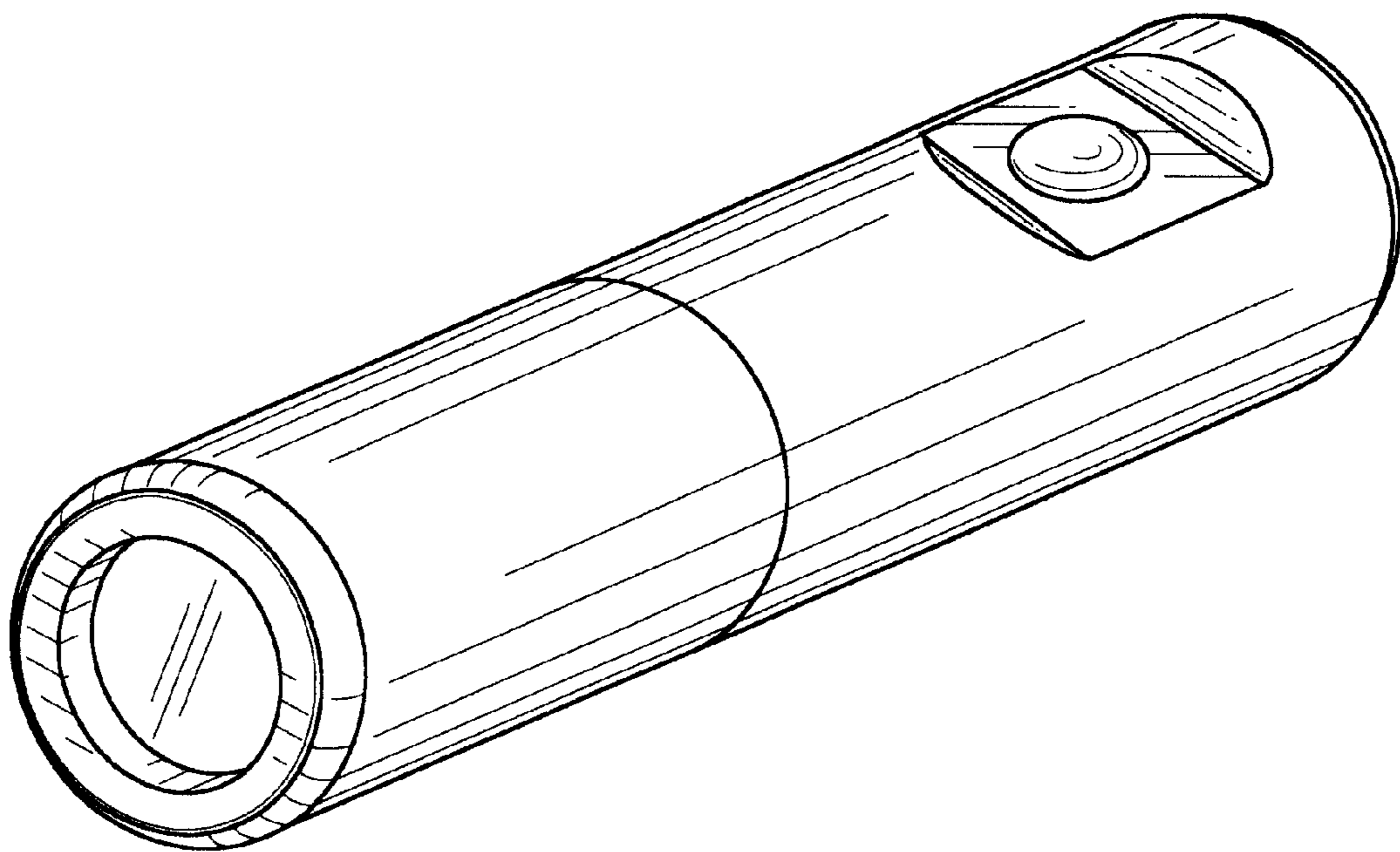
**U.S. PATENT DOCUMENTS**

FIG. 7 is a left side view thereof.

D521,666 S \* 5/2006 Chean ..... D26/37

**1 Claim, 2 Drawing Sheets**





*Fig. 1*

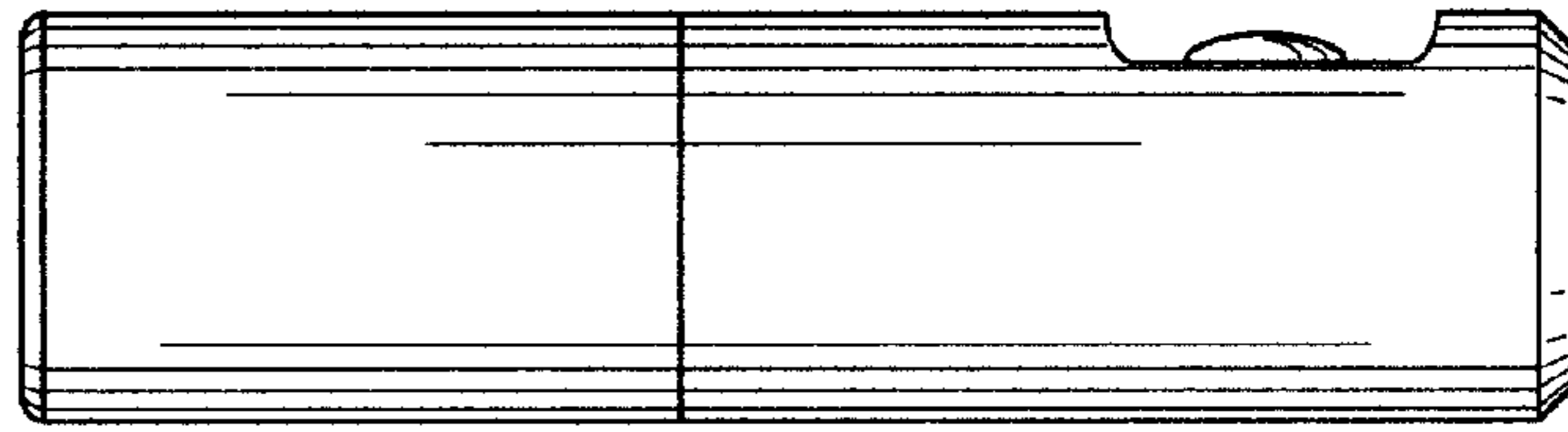


Fig. 2

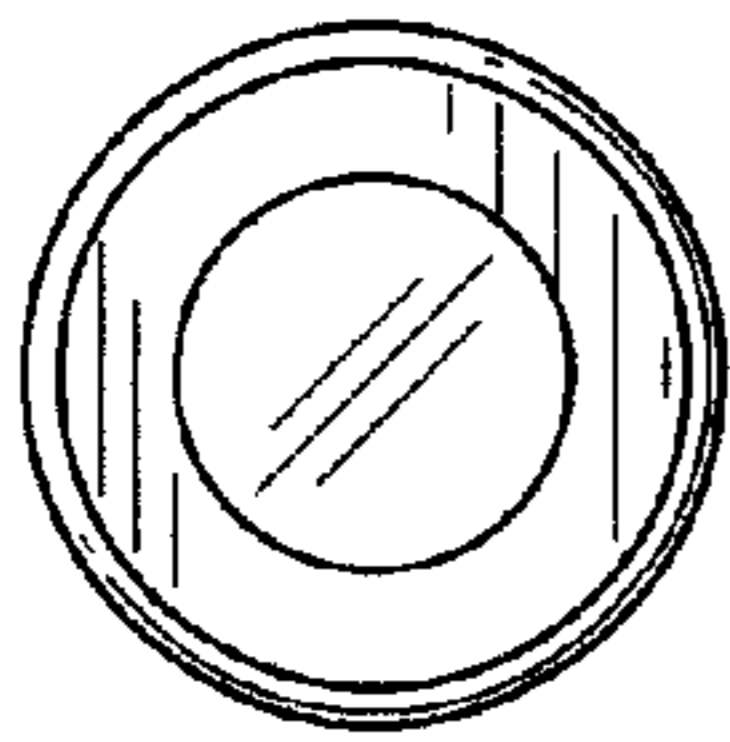


Fig. 3

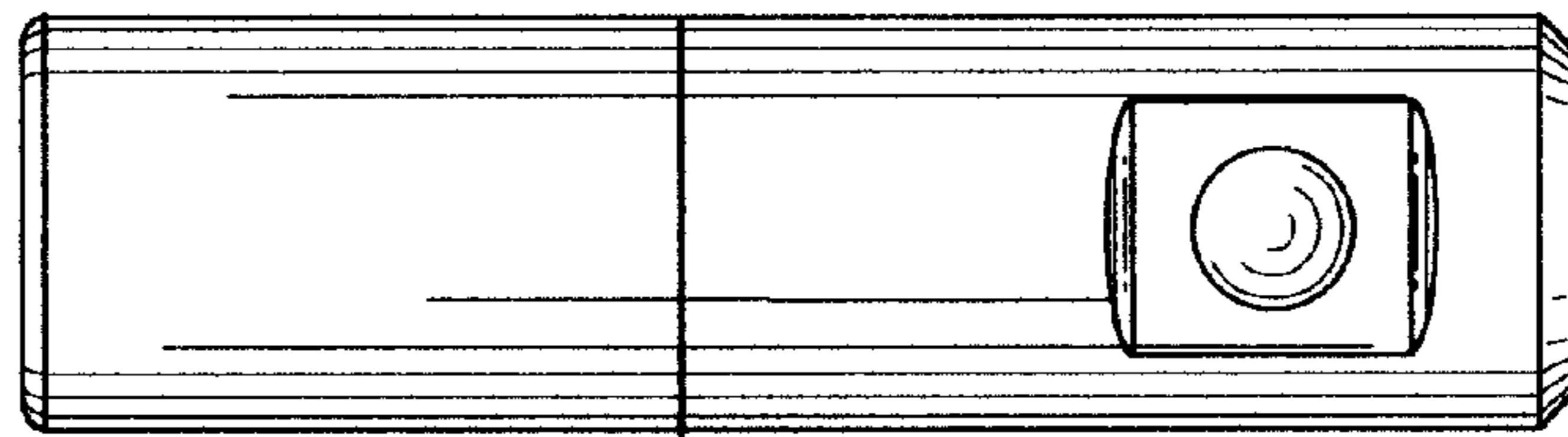


Fig. 4

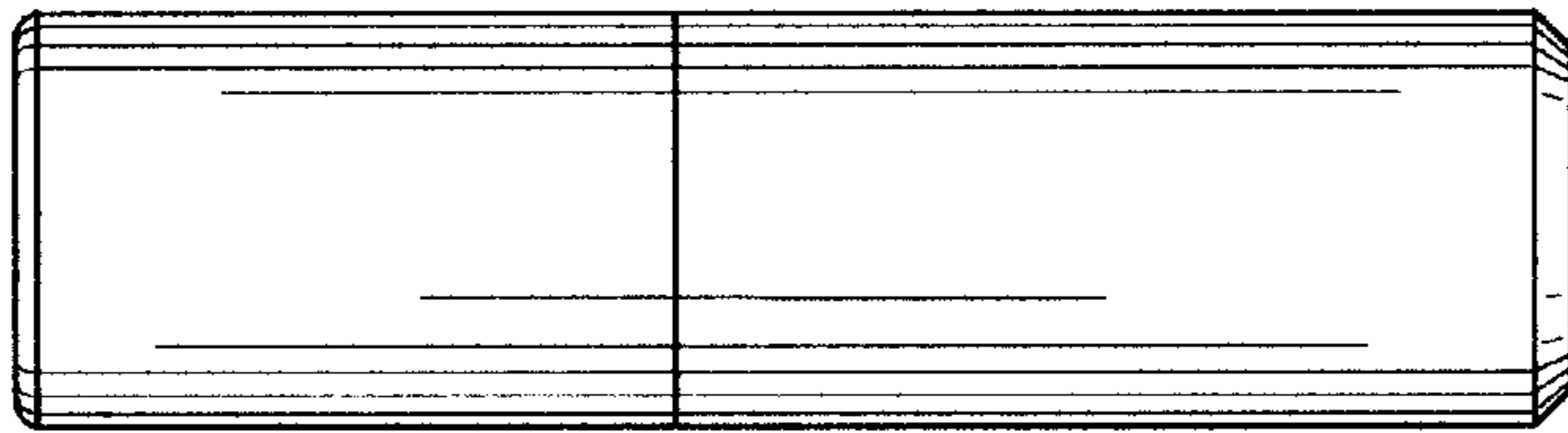


Fig. 5

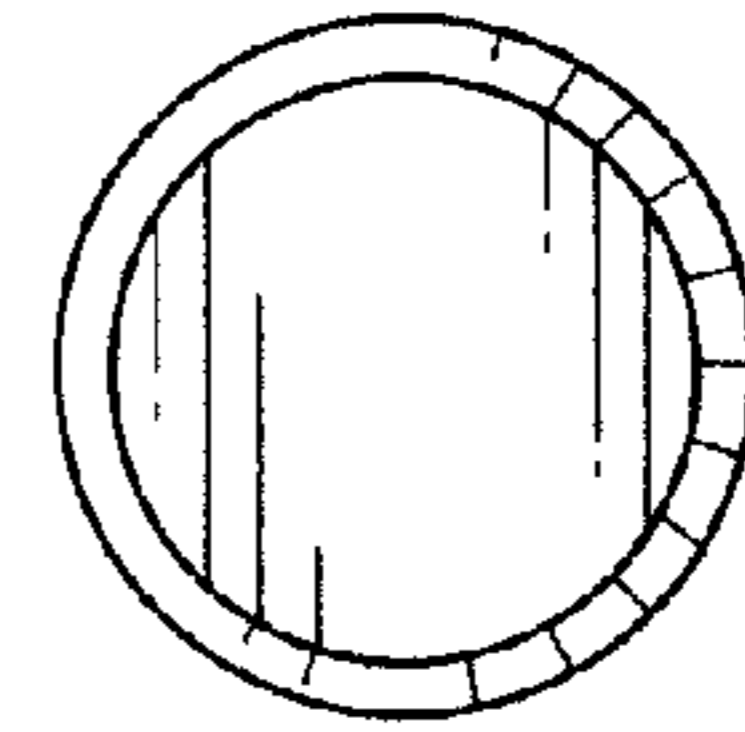


Fig. 6

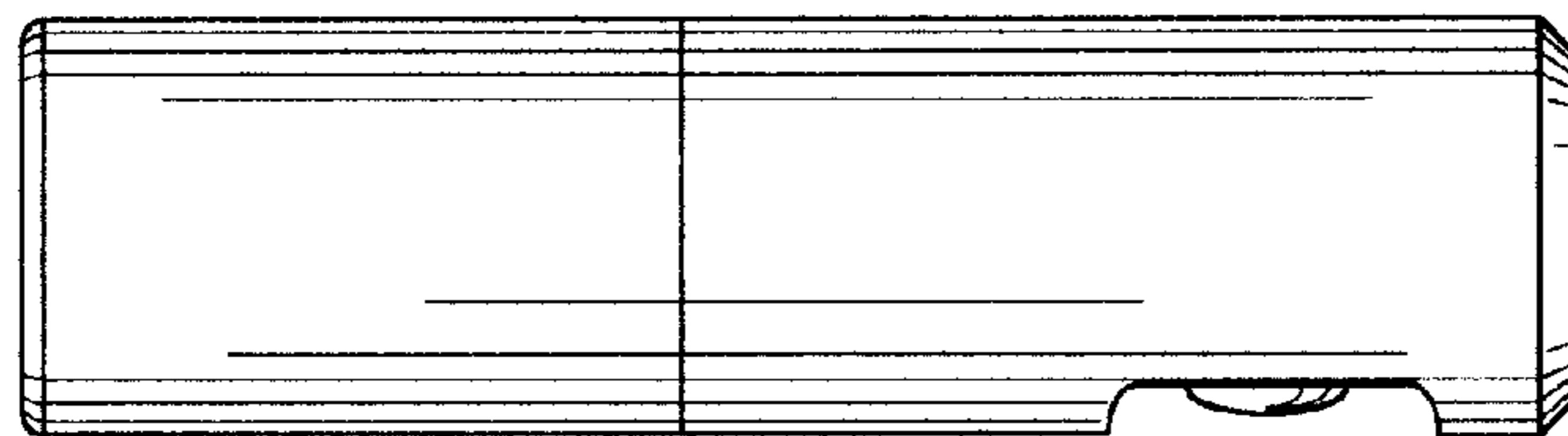


Fig. 7