



US00D535417S

(12) **United States Design Patent**
Martin

(10) **Patent No.:** **US D535,417 S**

(45) **Date of Patent:** **** Jan. 16, 2007**

(54) **FLASHLIGHT**

D524,468 S * 7/2006 Chean D26/37
D525,379 S * 7/2006 Maxik et al. D26/37
D526,730 S * 8/2006 Galli D26/37

(75) Inventor: **Richard W. Martin**, San Antonio, TX
(US)

* cited by examiner

(73) Assignee: **Lightstick Partners, LLC**, San
Antonio, TX (US)

Primary Examiner—Marcus A. Jackson
(74) *Attorney, Agent, or Firm*—Christopher L. Makay

(**) Term: **14 Years**

(57) **CLAIM**

(21) Appl. No.: **29/241,172**

The ornamental design for a flashlight, as shown and
described.

(22) Filed: **Oct. 25, 2005**

DESCRIPTION

(51) **LOC (8) Cl.** **26-02**

FIG. 1 is a perspective view of a flashlight according to my
new design;

(52) **U.S. Cl.** **D26/37**

FIG. 2 is a right side view thereof;

(58) **Field of Classification Search** D26/37-50;

FIG. 3 is a front view thereof;

362/157, 158, 171-174, 183-208

FIG. 4 is a top view thereof;

See application file for complete search history.

FIG. 5 is a bottom view thereof;

(56) **References Cited**

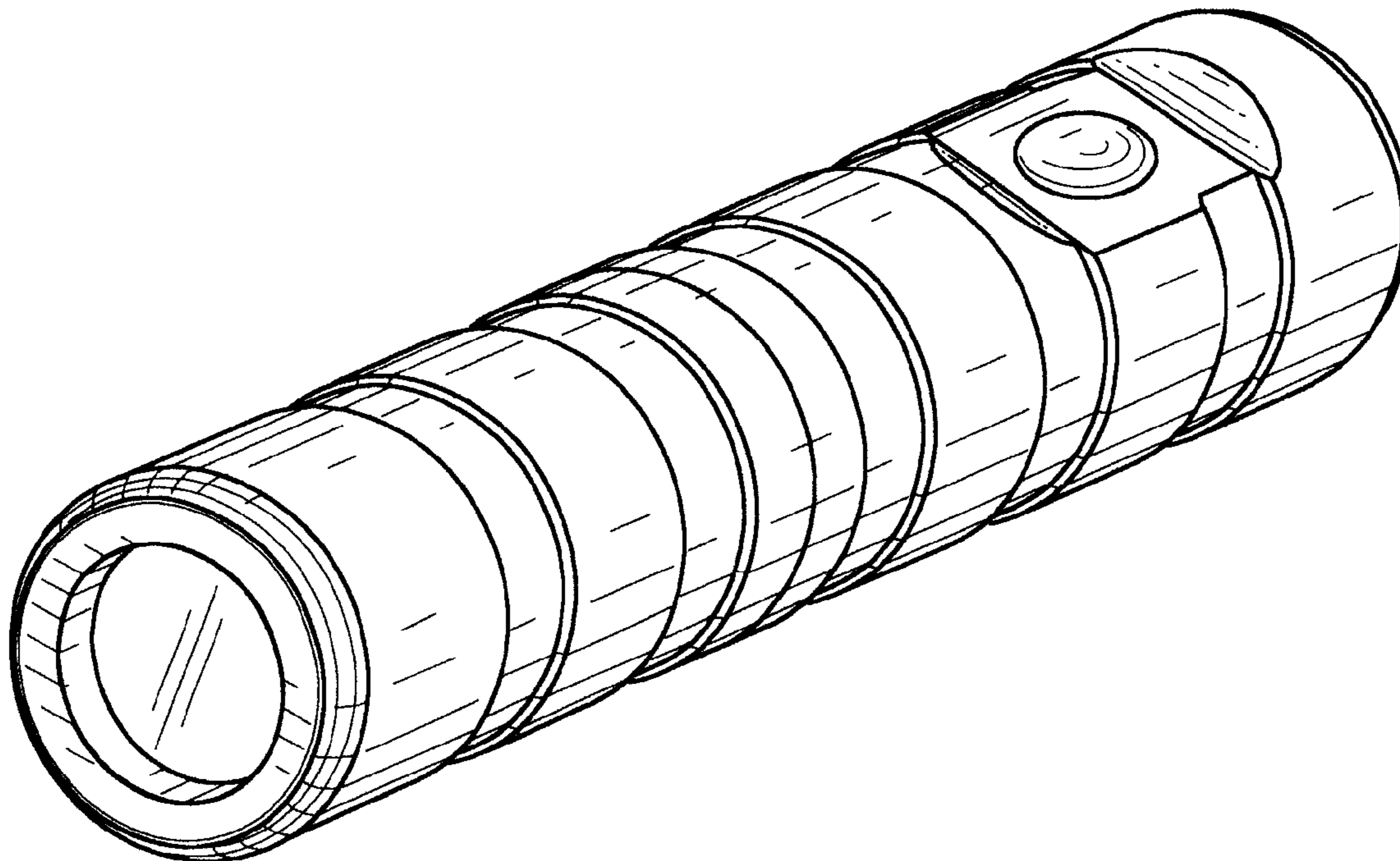
FIG. 6 is a rear view thereof; and,

U.S. PATENT DOCUMENTS

FIG. 7 is a left side view thereof.

D521,666 S * 5/2006 Chean D26/37

1 Claim, 2 Drawing Sheets



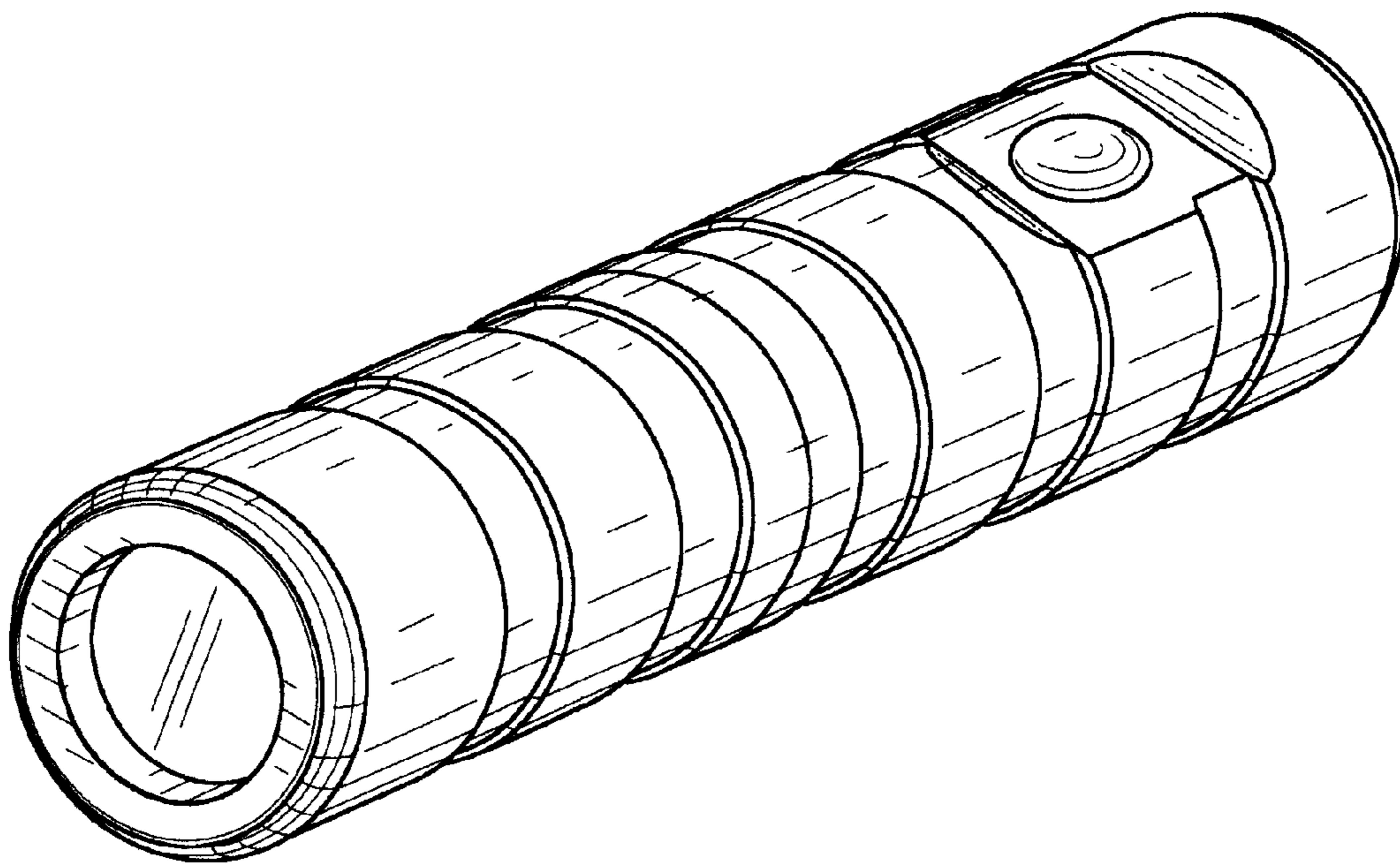


Fig. 1

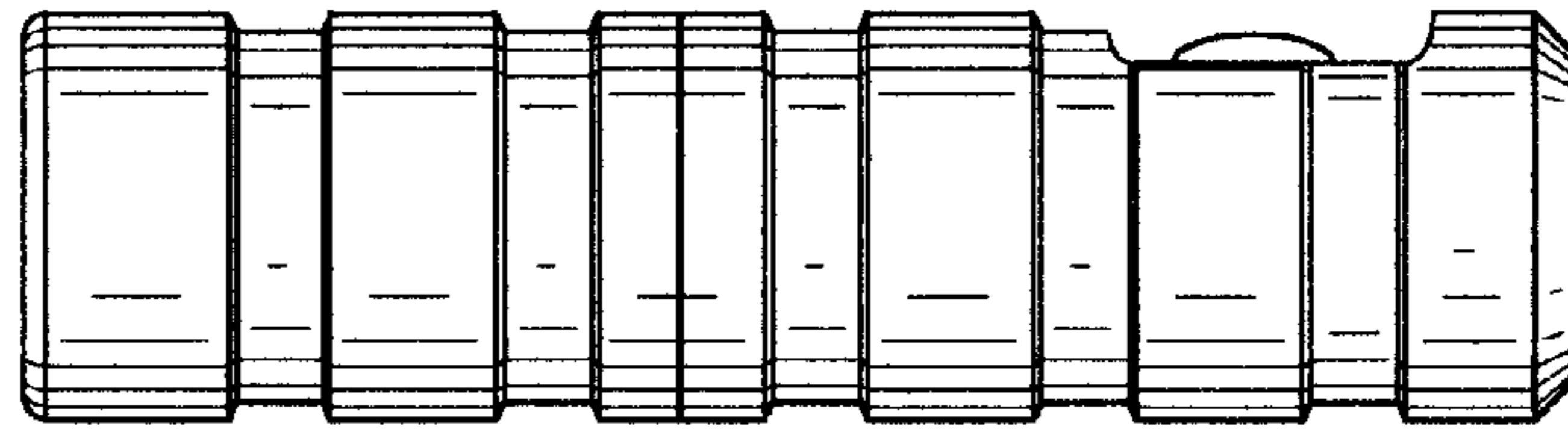


Fig. 2

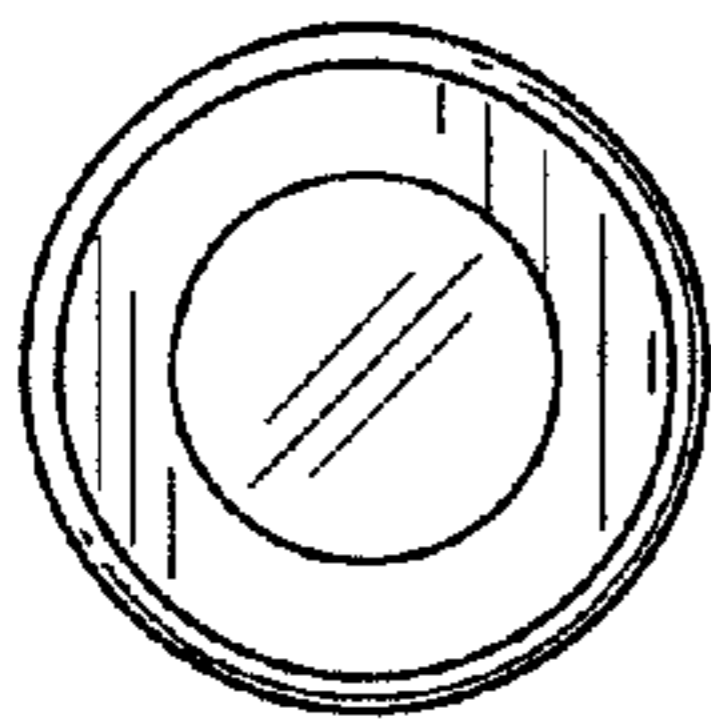


Fig. 3

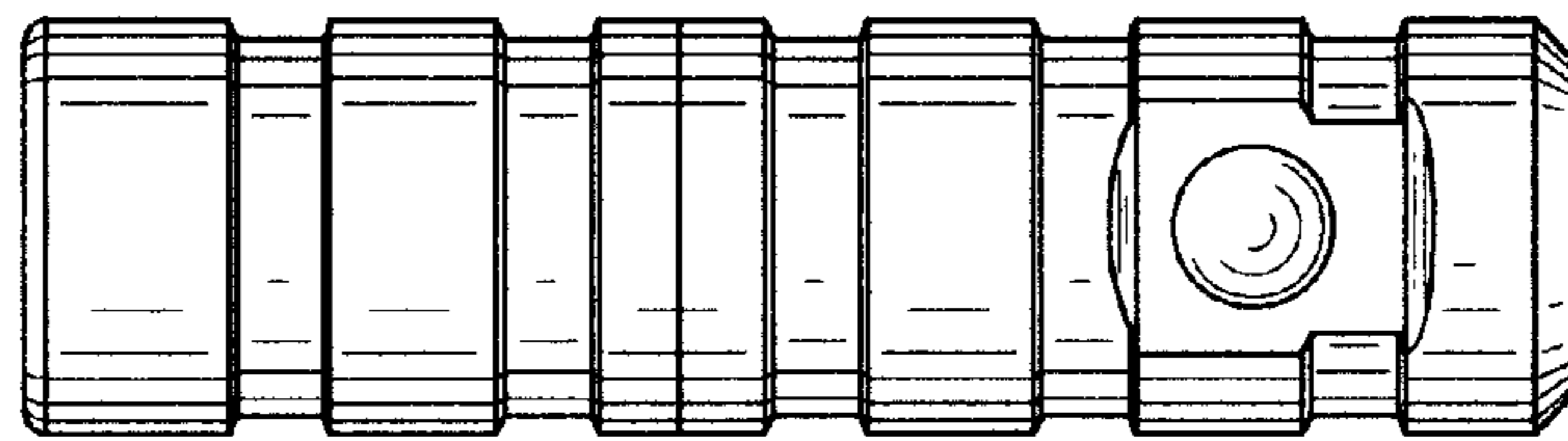


Fig. 4

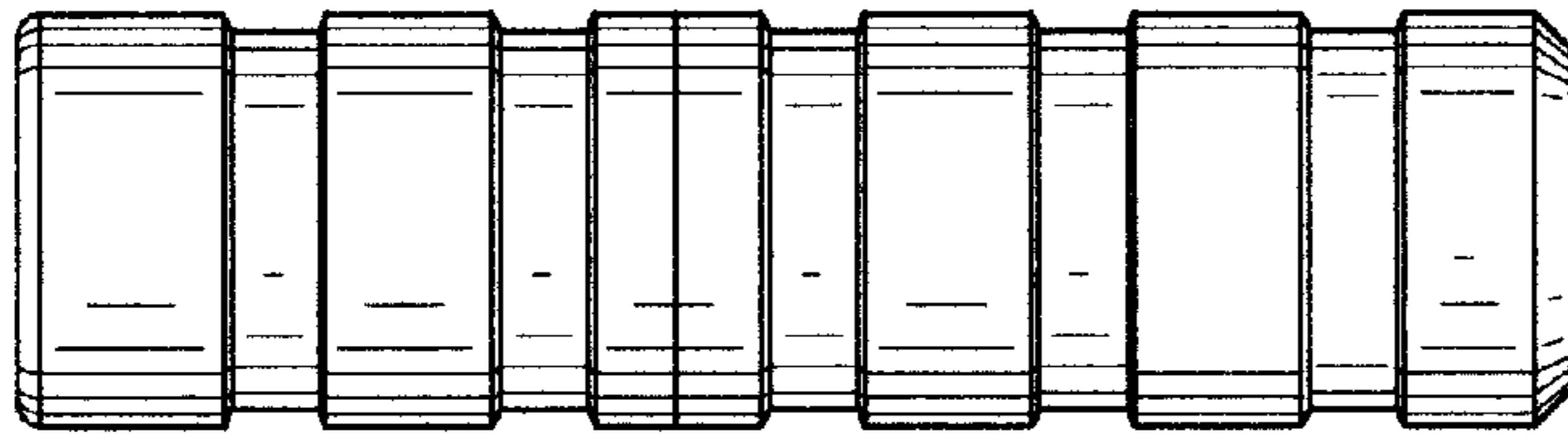


Fig. 5

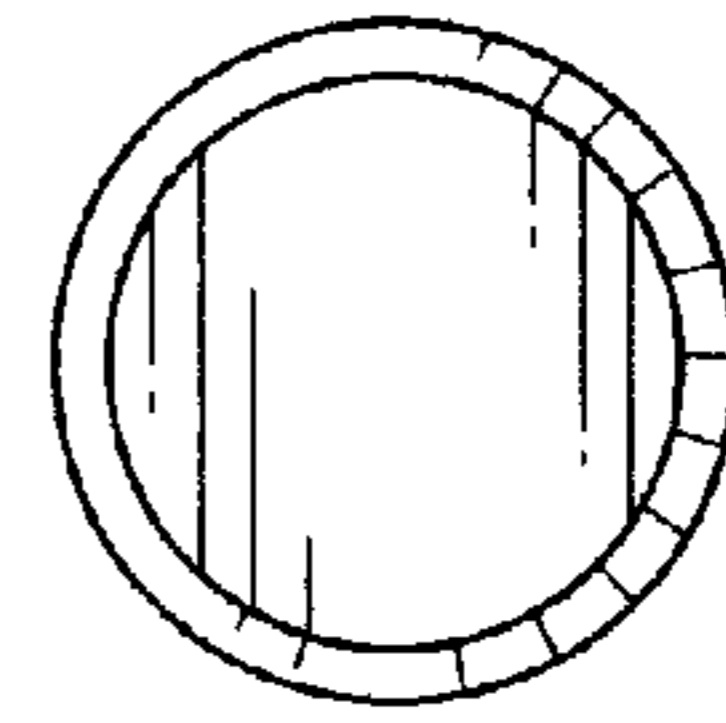


Fig. 6

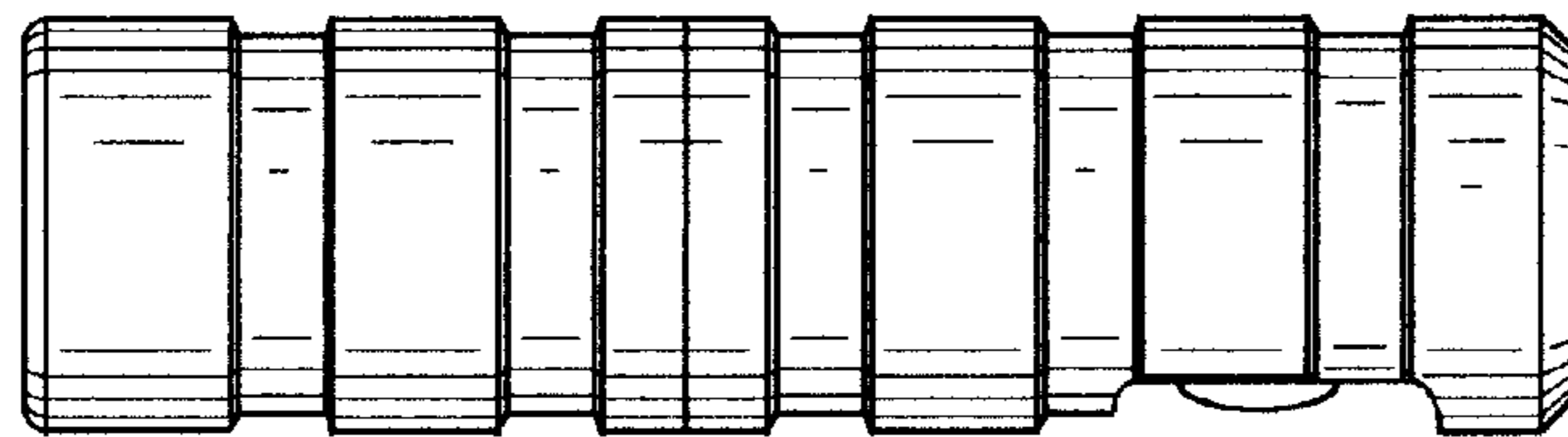


Fig. 7