



US00D535413S

(12) **United States Design Patent**
Frye

(10) **Patent No.:** **US D535,413 S**
(45) **Date of Patent:** **** Jan. 16, 2007**

(54) **VEHICLE HEADLIGHT**

D520,157 S * 5/2006 Matei et al. D26/28

(75) Inventor: **John Frye**, San Pedro, CA (US)

* cited by examiner

(73) Assignee: **Honda Motor Co., Ltd.**, Tokyo (JP)

Primary Examiner—Marcus A. Jackson

(**) Term: **14 Years**

(74) *Attorney, Agent, or Firm*—Plumsea Law Group, LLC

(21) Appl. No.: **29/245,504**

(57) **CLAIM**

(22) Filed: **Dec. 27, 2005**

The ornamental design for a vehicle headlight, as shown and described.

(51) **LOC (8) Cl.** **26-06**

(52) **U.S. Cl.** **D26/28**

(58) **Field of Classification Search** D26/28–36;
362/459–468, 475–478, 485–487

See application file for complete search history.

DESCRIPTION

FIG. 1 is a perspective view of a right side vehicle headlight showing my new design;

FIG. 2 is a front elevational view thereof;

FIG. 3 is a perspective view of a left side version of the vehicle headlight; and,

FIG. 4 is a front elevational view of the left side version.

The broken line showings of the surrounding vehicle areas are for illustrative purposes only and form no part of the claimed design.

(56) **References Cited**

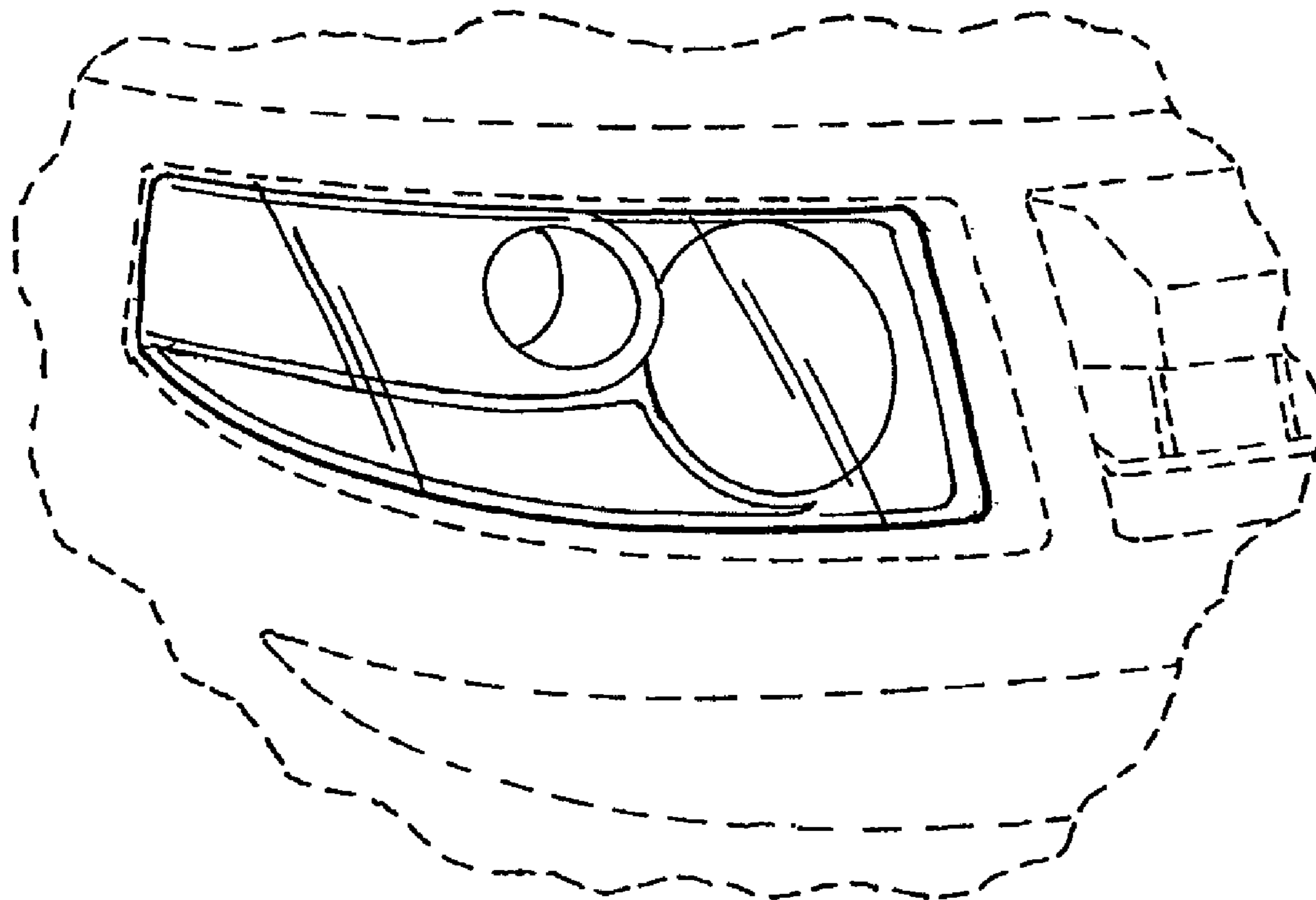
U.S. PATENT DOCUMENTS

D501,053 S * 1/2005 Kamimura et al. D26/28

D508,746 S * 8/2005 Lai D26/28

D517,228 S * 3/2006 Pfeiffer et al. D26/28

1 Claim, 2 Drawing Sheets



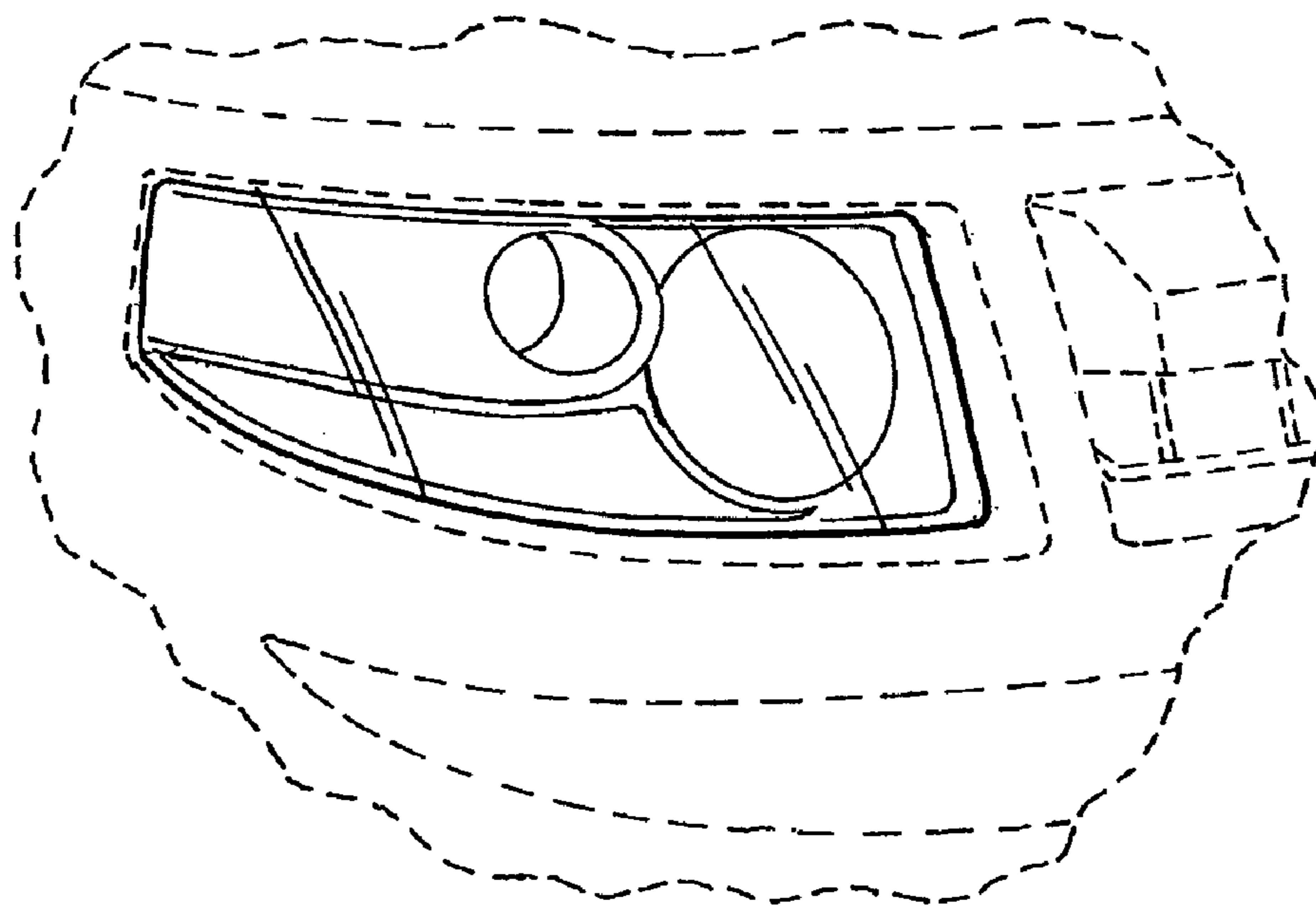


FIG. 1

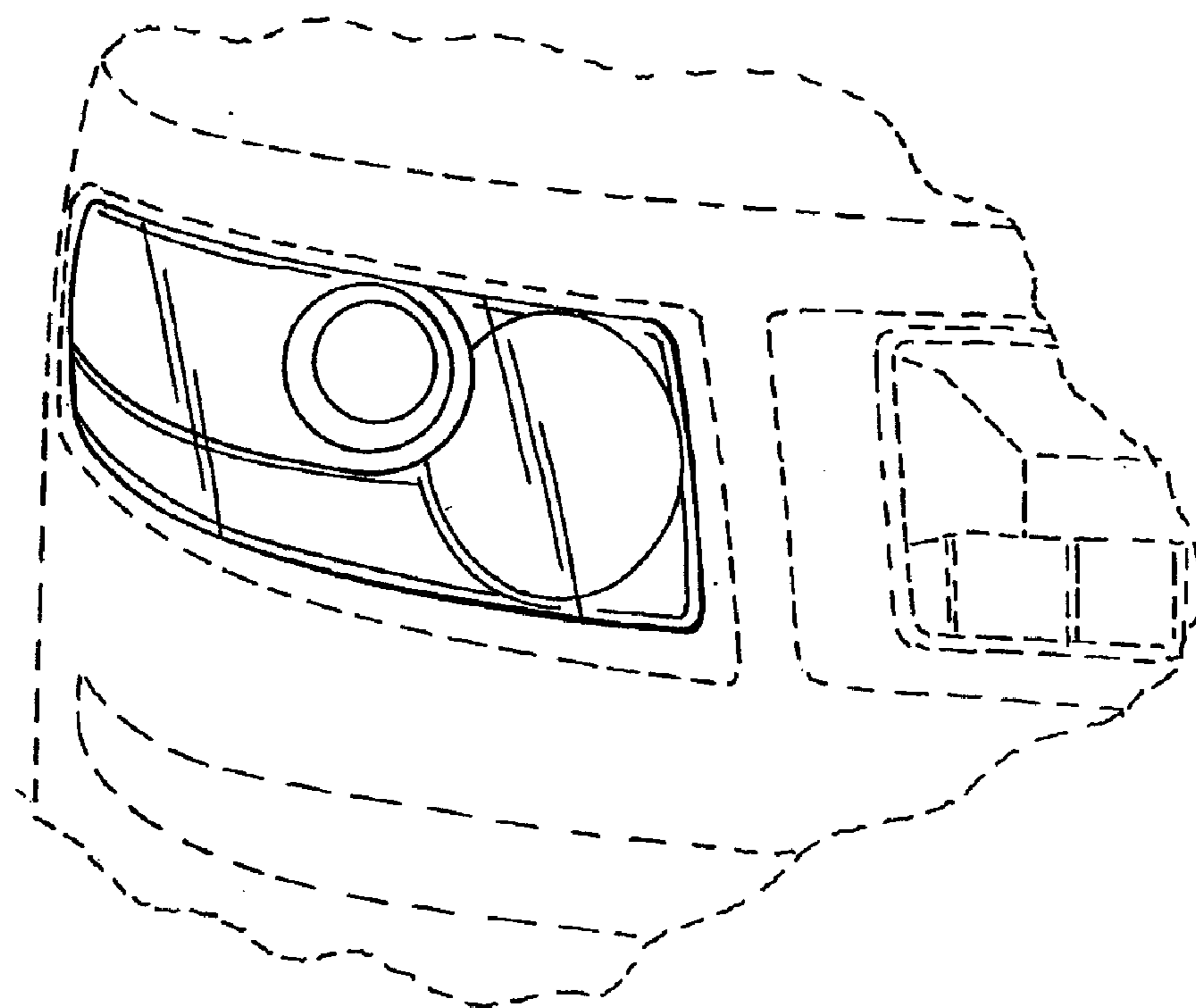


FIG. 2

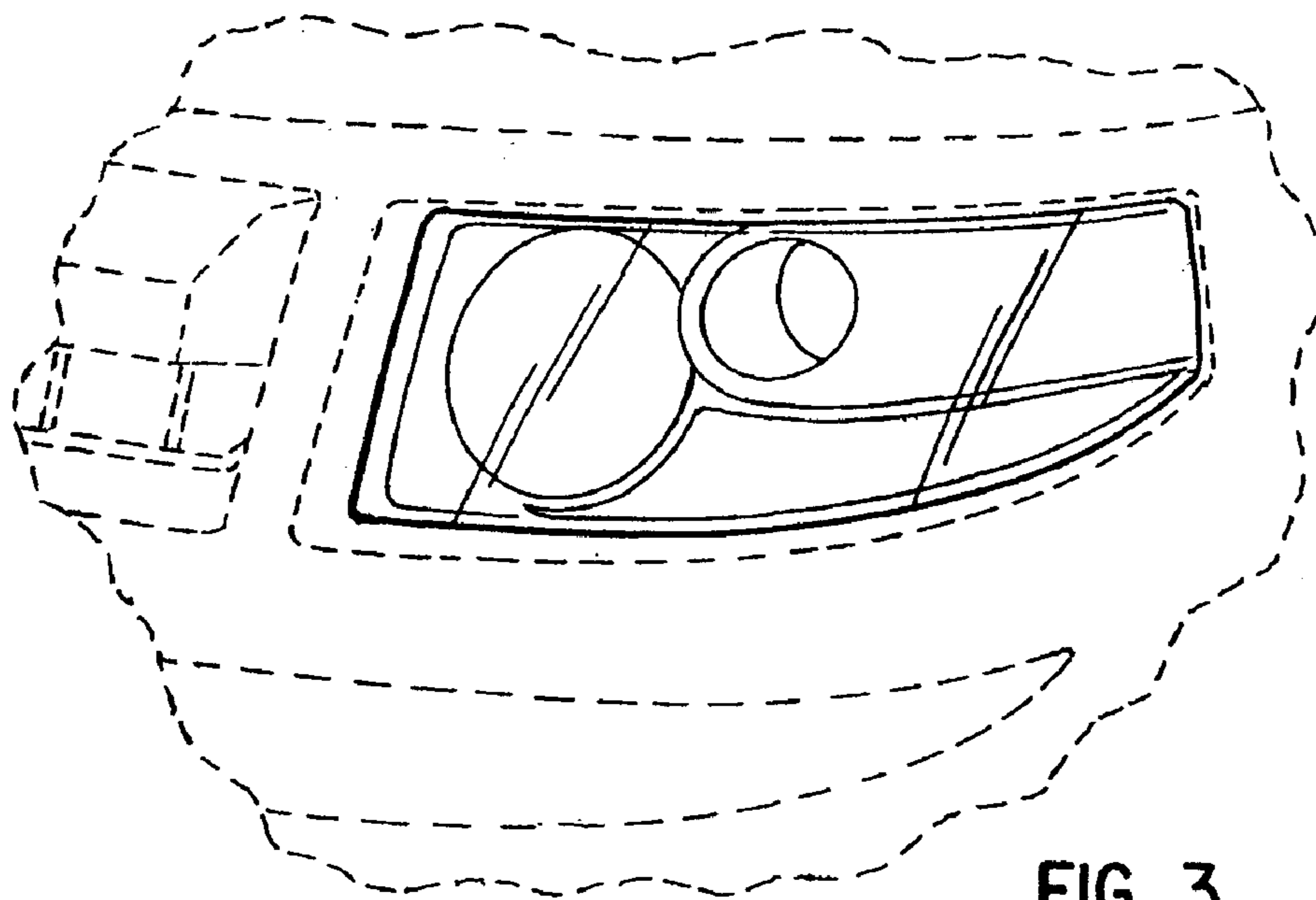


FIG. 3

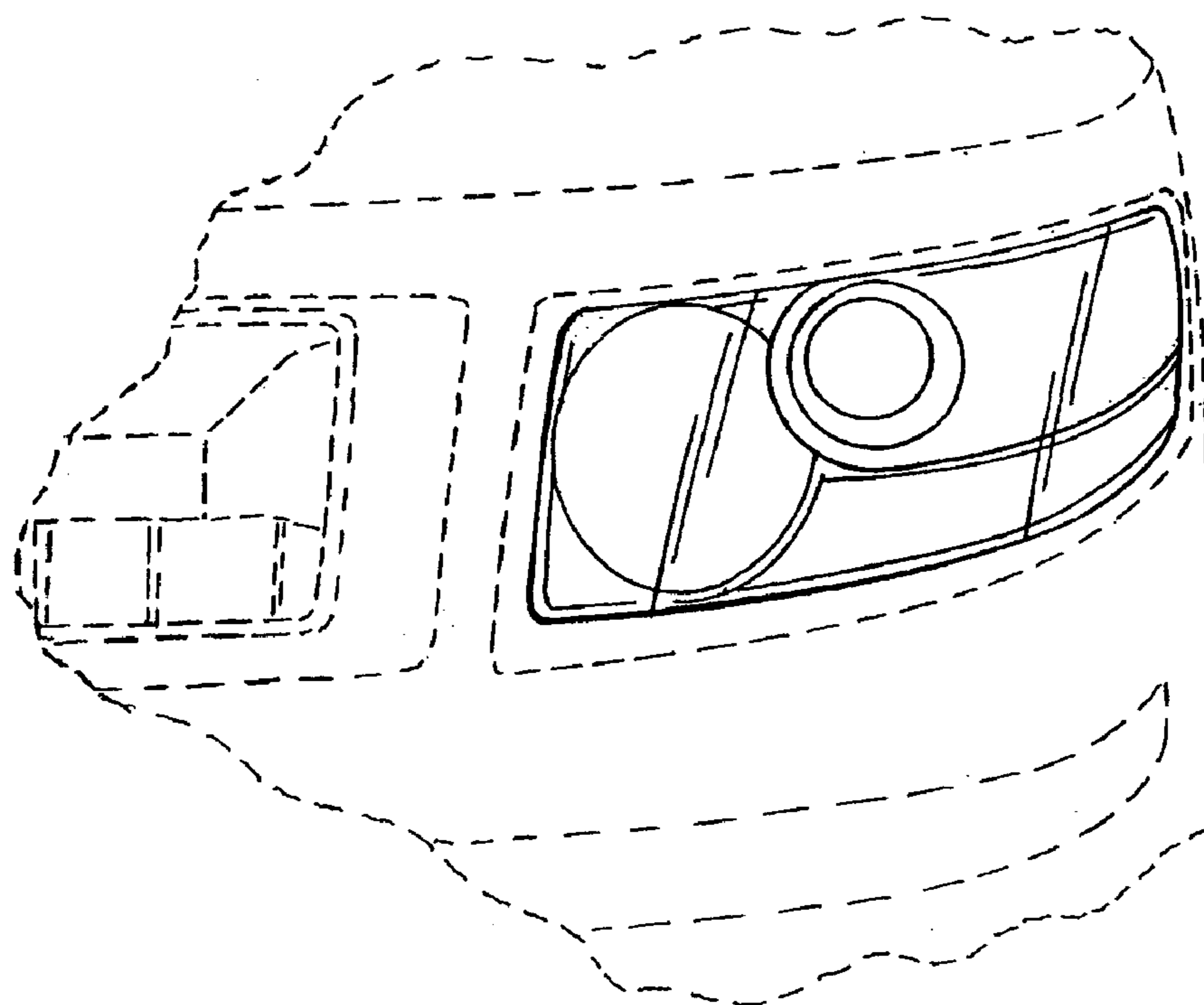


FIG. 4