

US00D535412S

(12) **United States Design Patent**
Kuwa

(10) **Patent No.:** **US D535,412 S**
(45) **Date of Patent:** **** Jan. 16, 2007**

(54) **LIGHT UNIT FOR A WORK MACHINE**

D496,114 S * 9/2004 Hsu D26/28
D497,018 S * 10/2004 Lin D26/28
D508,137 S * 8/2005 Numata D26/28

(75) Inventor: **Junta Kuwa**, Sakai (JP)

* cited by examiner

(73) Assignee: **Kubota Corporation**, Osaka (JP)

Primary Examiner—Marcus A. Jackson

(**) Term: **14 Years**

(74) *Attorney, Agent, or Firm*—The Webb Law Firm

(21) Appl. No.: **29/241,504**

(57) **CLAIM**

(22) Filed: **Oct. 27, 2005**

The ornamental design of a light unit for a work machine, as shown and described.

(30) **Foreign Application Priority Data**

Sep. 28, 2005 (JP) 2005-028067

DESCRIPTION

(51) **LOC (8) Cl.** **26-06**

FIG. 1 is a front view of a light unit for a work machine;

(52) **U.S. Cl.** **D26/28**

FIG. 2 is a rear view thereof;

(58) **Field of Classification Search** D26/28-36;

FIG. 3 is a right side view thereof;

362/459-468, 475-478, 485-487

FIG. 4 is a left side view thereof;

See application file for complete search history.

FIG. 5 is a top view thereof;

FIG. 6 is a bottom view thereof;

(56) **References Cited**

FIG. 7 is a front perspective view thereof; and,

FIG. 8 is a rear perspective view thereof.

U.S. PATENT DOCUMENTS

D489,835 S * 5/2004 Lin D26/28

1 Claim, 4 Drawing Sheets



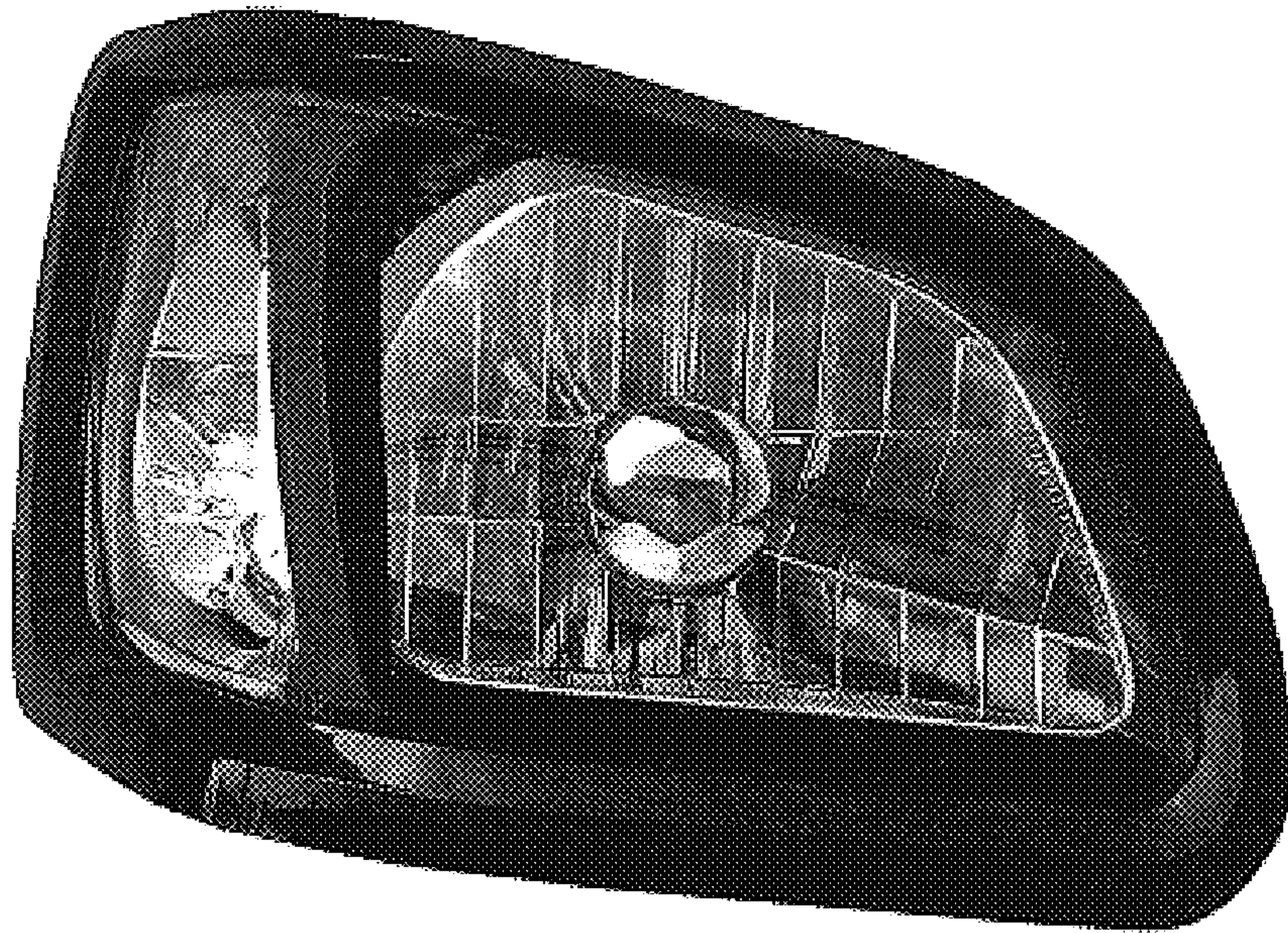


Fig. 1

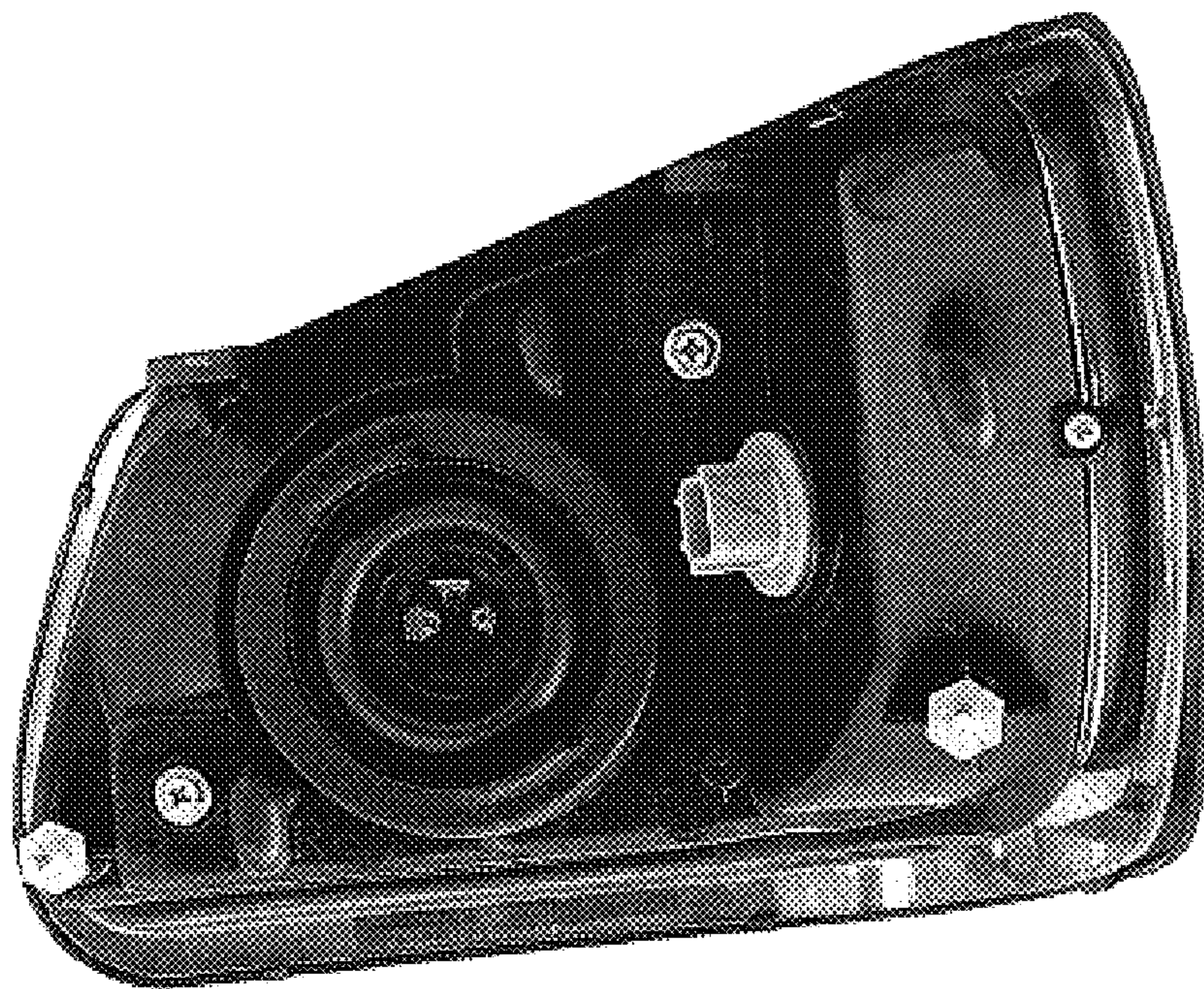


Fig. 2

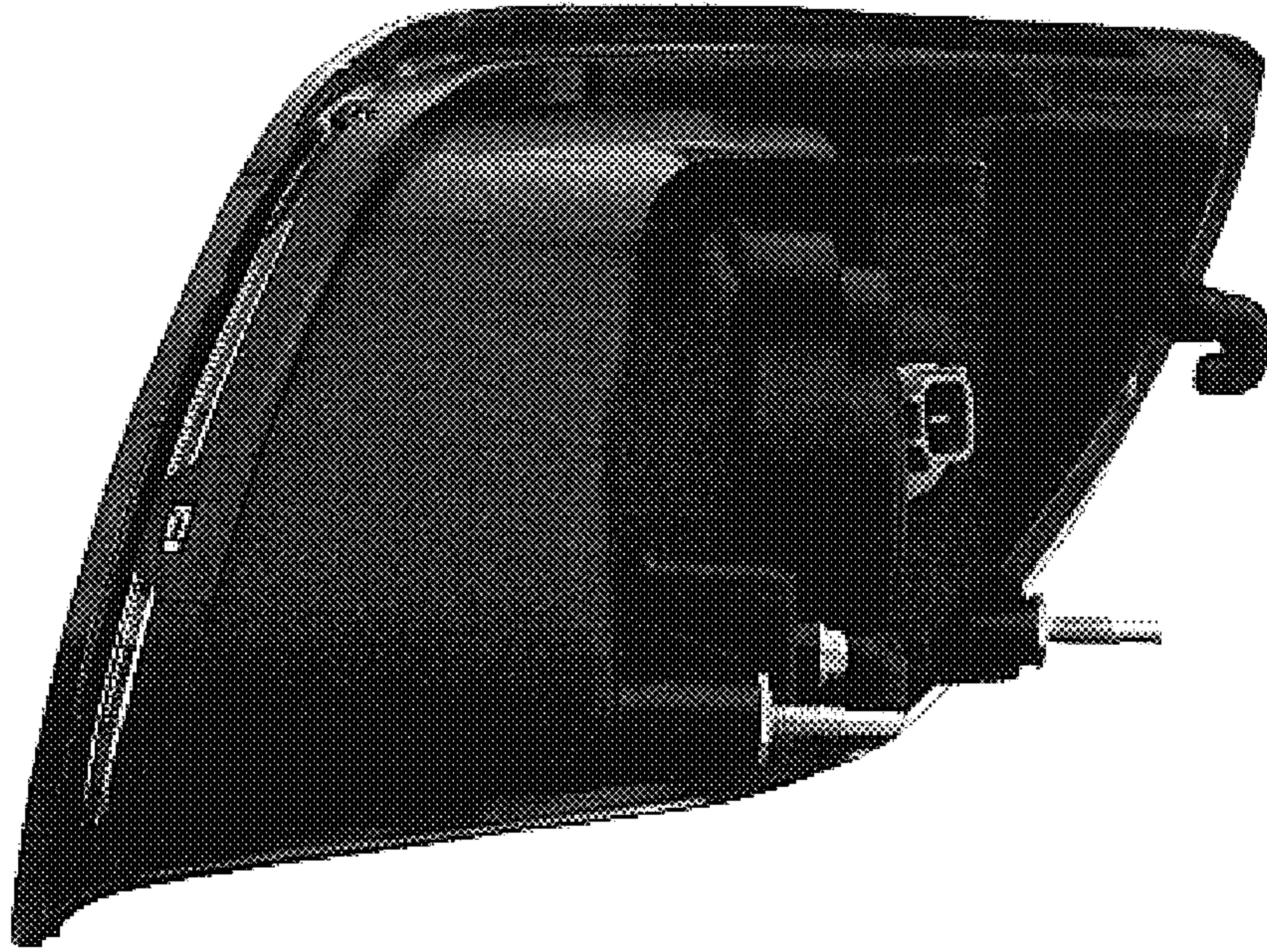


Fig. 3

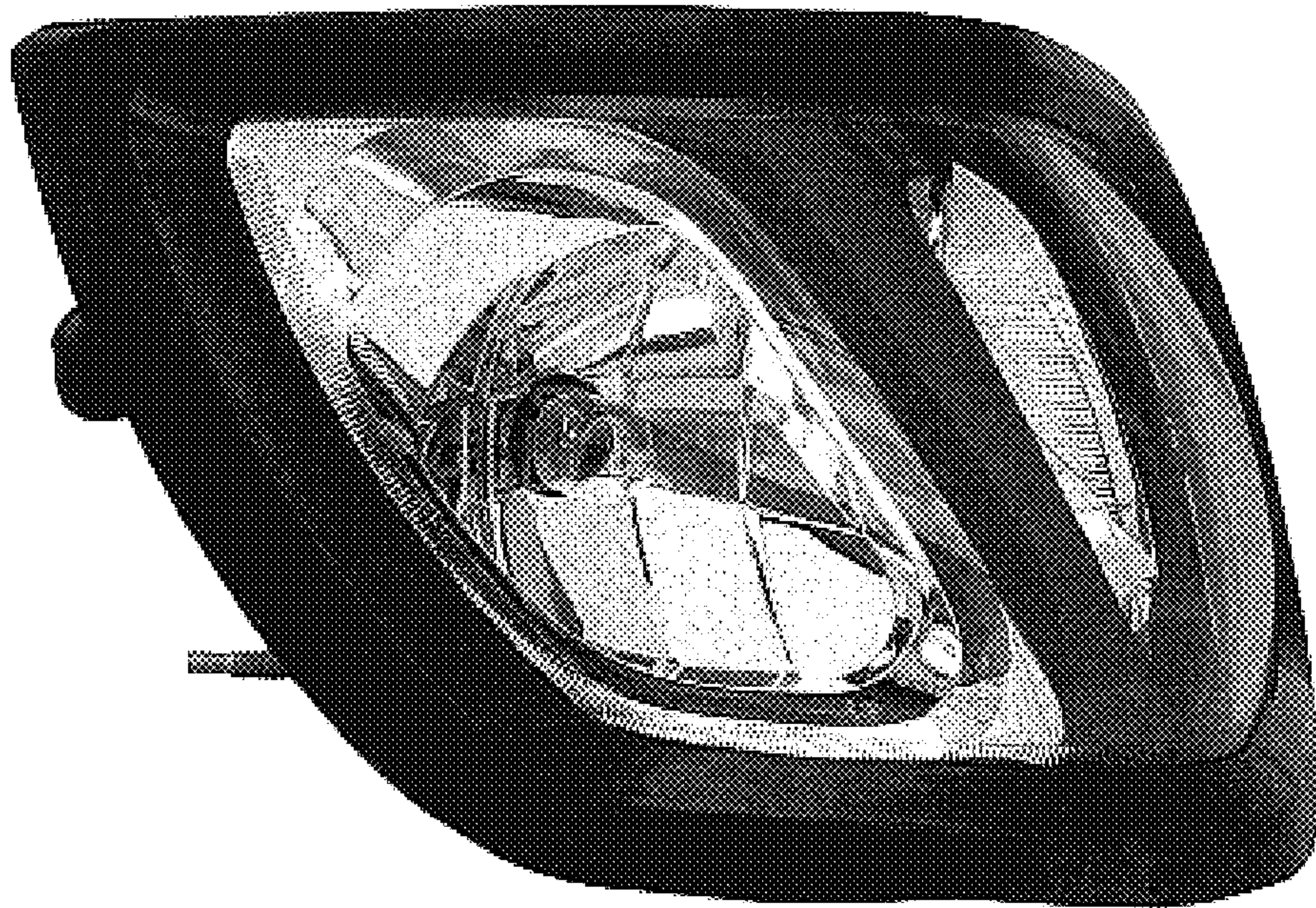


Fig. 4

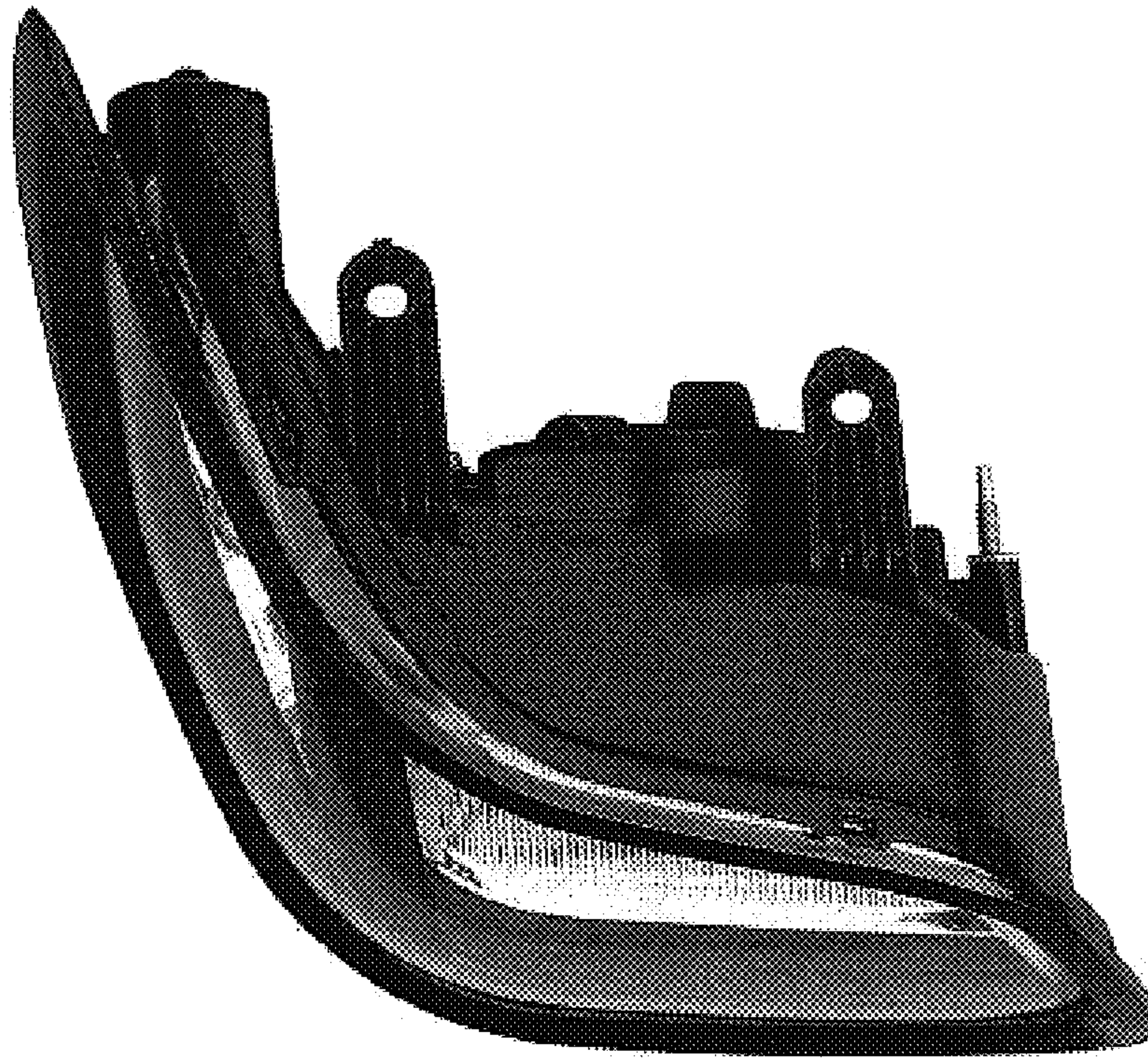


Fig. 5

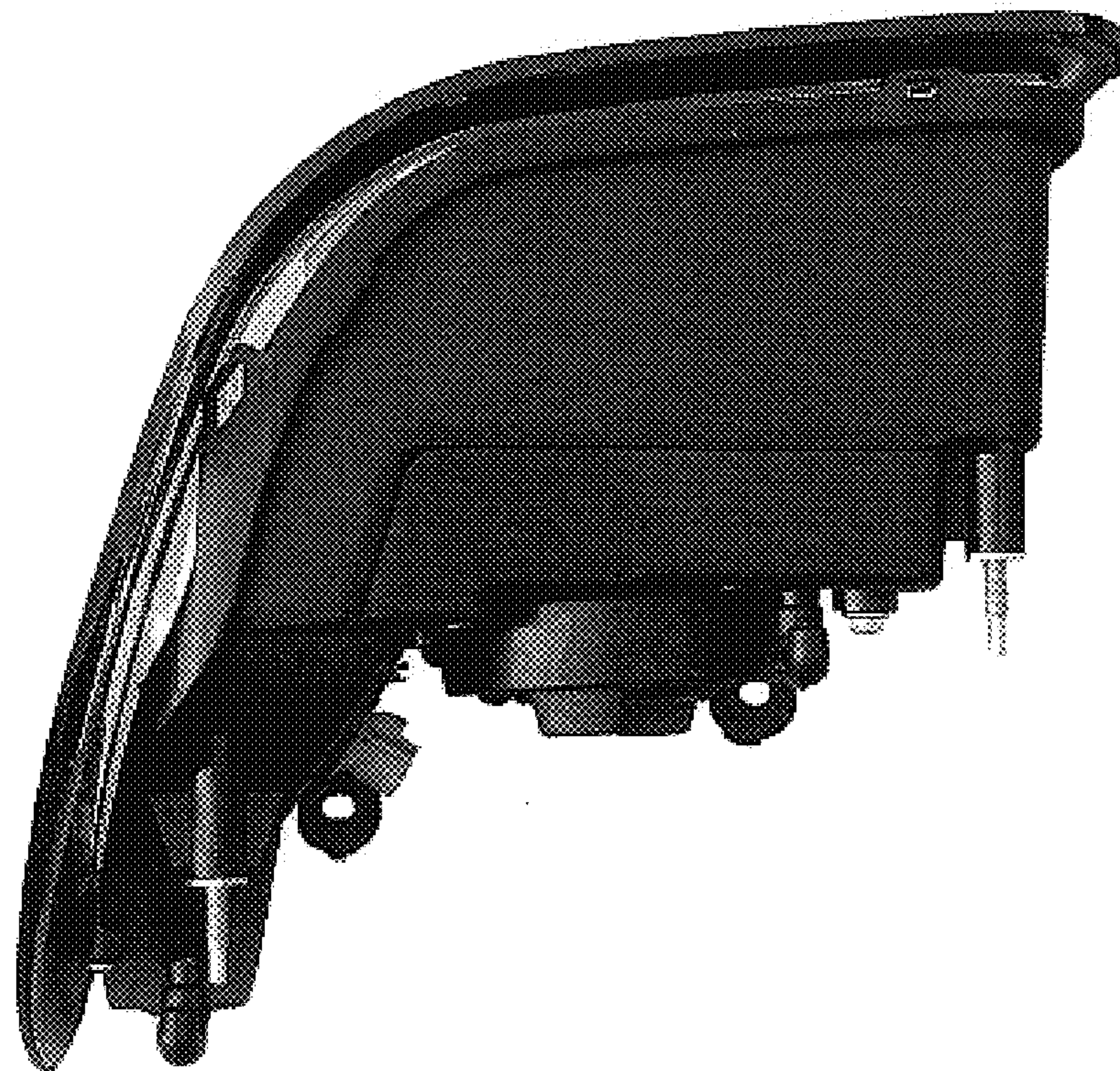


Fig 6



Fig. 7

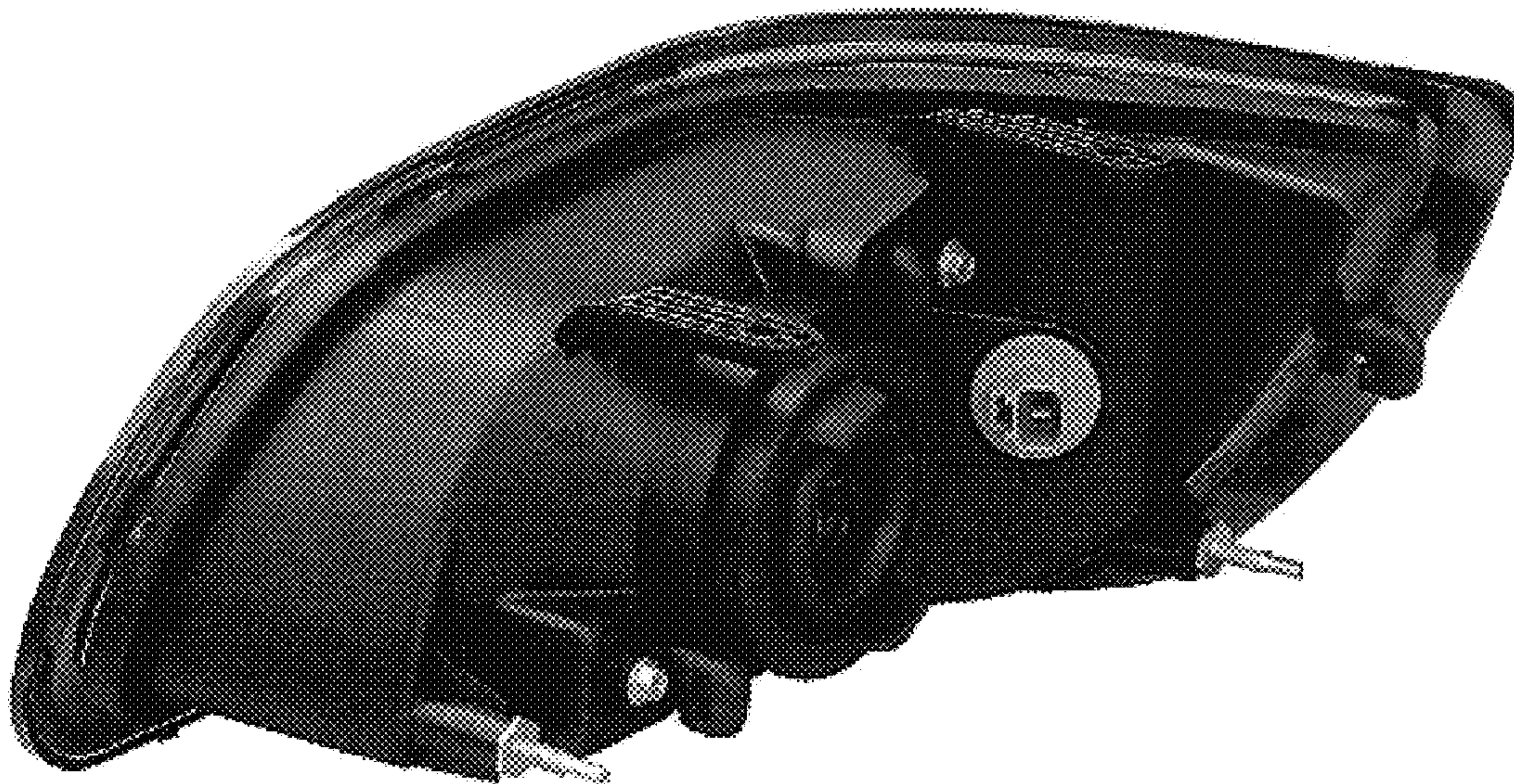


Fig. 8