



US00D535409S

(12) **United States Design Patent**  
**Yamaguchi**

(10) **Patent No.:** **US D535,409 S**

(45) **Date of Patent:** **\*\* Jan. 16, 2007**

(54) **FRONT COMBINATION LAMP**

D525,731 S \* 7/2006 Hovind et al. .... D26/28  
D526,428 S \* 8/2006 Yagihashi ..... D26/28

(75) Inventor: **Junichi Yamaguchi**, Wako (JP)

\* cited by examiner

(73) Assignee: **Honda Motor Co., Ltd.**, Tokyo (JP)

*Primary Examiner*—Marcus A. Jackson

(\*\*) Term: **14 Years**

(74) *Attorney, Agent, or Firm*—Arent Fox PLLC

(21) Appl. No.: **29/240,632**

(57) **CLAIM**

(22) Filed: **Oct. 17, 2005**

The ornamental design for a front combination lamp, as shown and described.

(30) **Foreign Application Priority Data**

**DESCRIPTION**

Apr. 18, 2005 (JP) ..... 2005-011412

FIG. 1 is a front view of a front combination lamp showing my new design.

(51) **LOC (8) Cl.** ..... **26-06**

FIG. 2 is a rear view thereof.

(52) **U.S. Cl.** ..... **D26/28**

FIG. 3 is a plan view thereof.

(58) **Field of Classification Search** ..... D26/28-36;  
362/459-468, 475-478, 485-487  
See application file for complete search history.

FIG. 4 is a bottom view thereof.

FIG. 5 is a right side view thereof.

FIG. 6 is a left side view thereof.

(56) **References Cited**

FIG. 7 is a perspective view thereof as seen from the left front side; and,

FIG. 8 is a perspective view thereof as seen from the left rear side.

**U.S. PATENT DOCUMENTS**

The broken line showing of the rear of the front combination lamp is for illustrative purposes only and forms no part of the claimed design.

D524,466 S \* 7/2006 Essig ..... D26/28

D525,377 S \* 7/2006 Akamine et al. .... D26/28

**1 Claim, 5 Drawing Sheets**

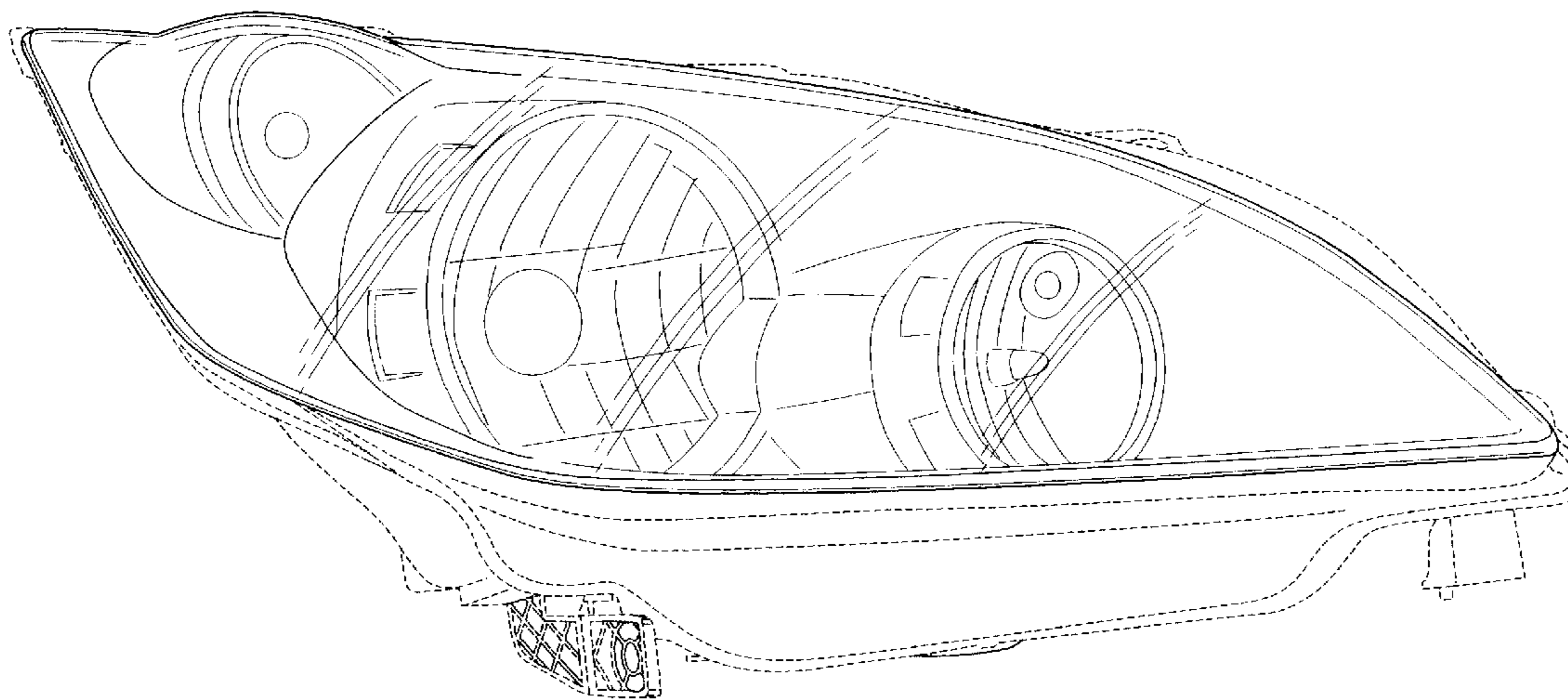


FIG.1

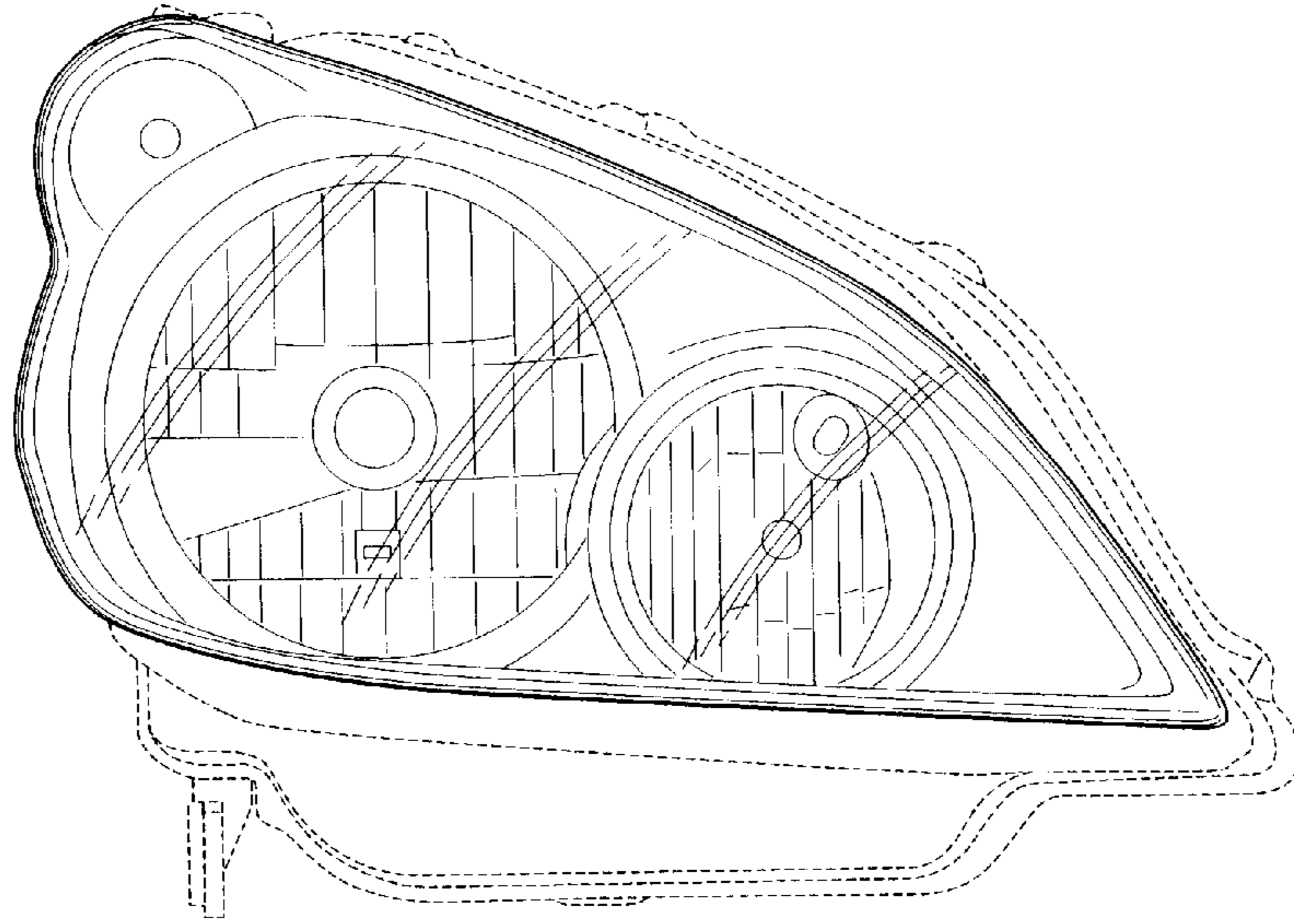


FIG.2

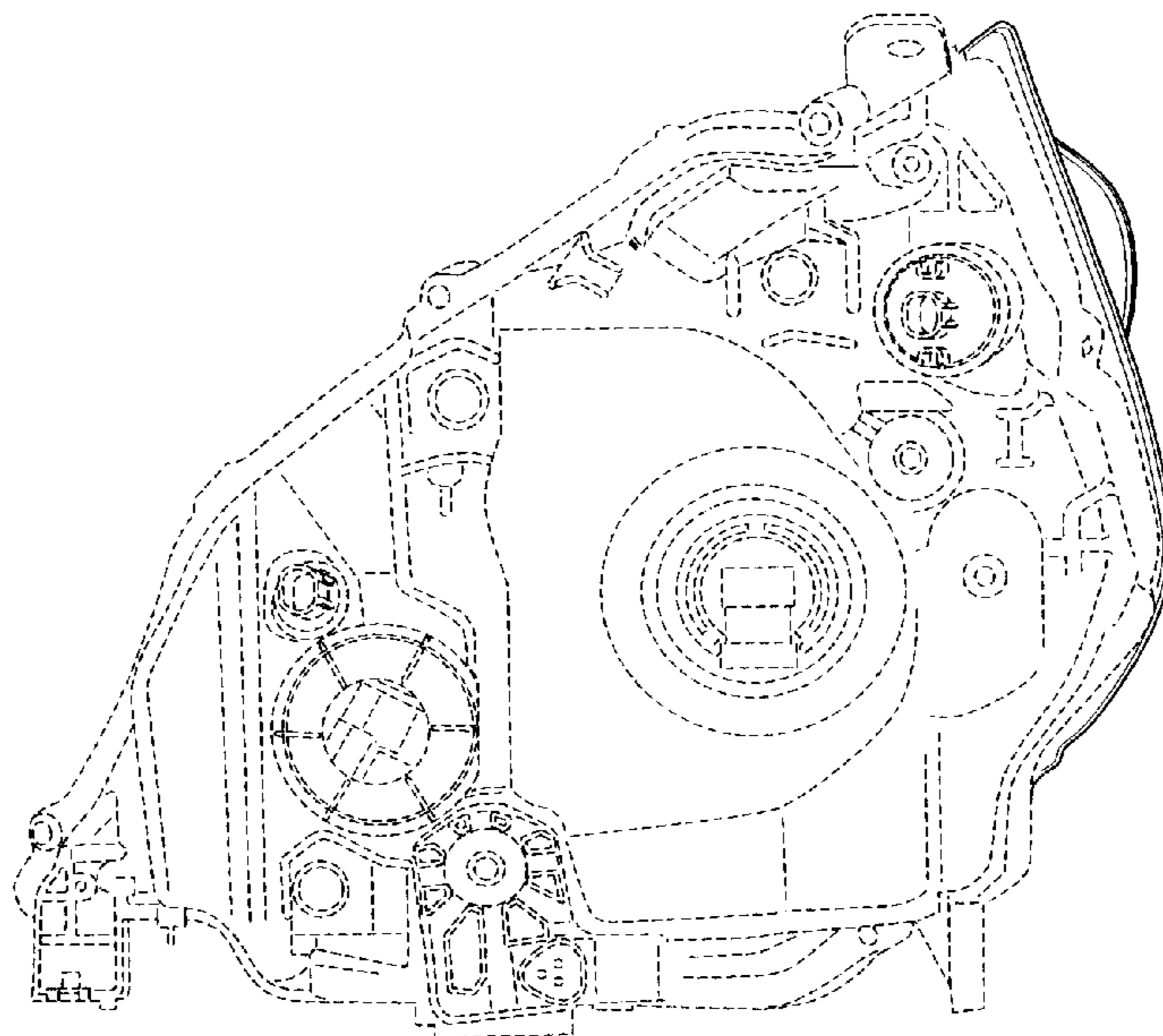


FIG.3

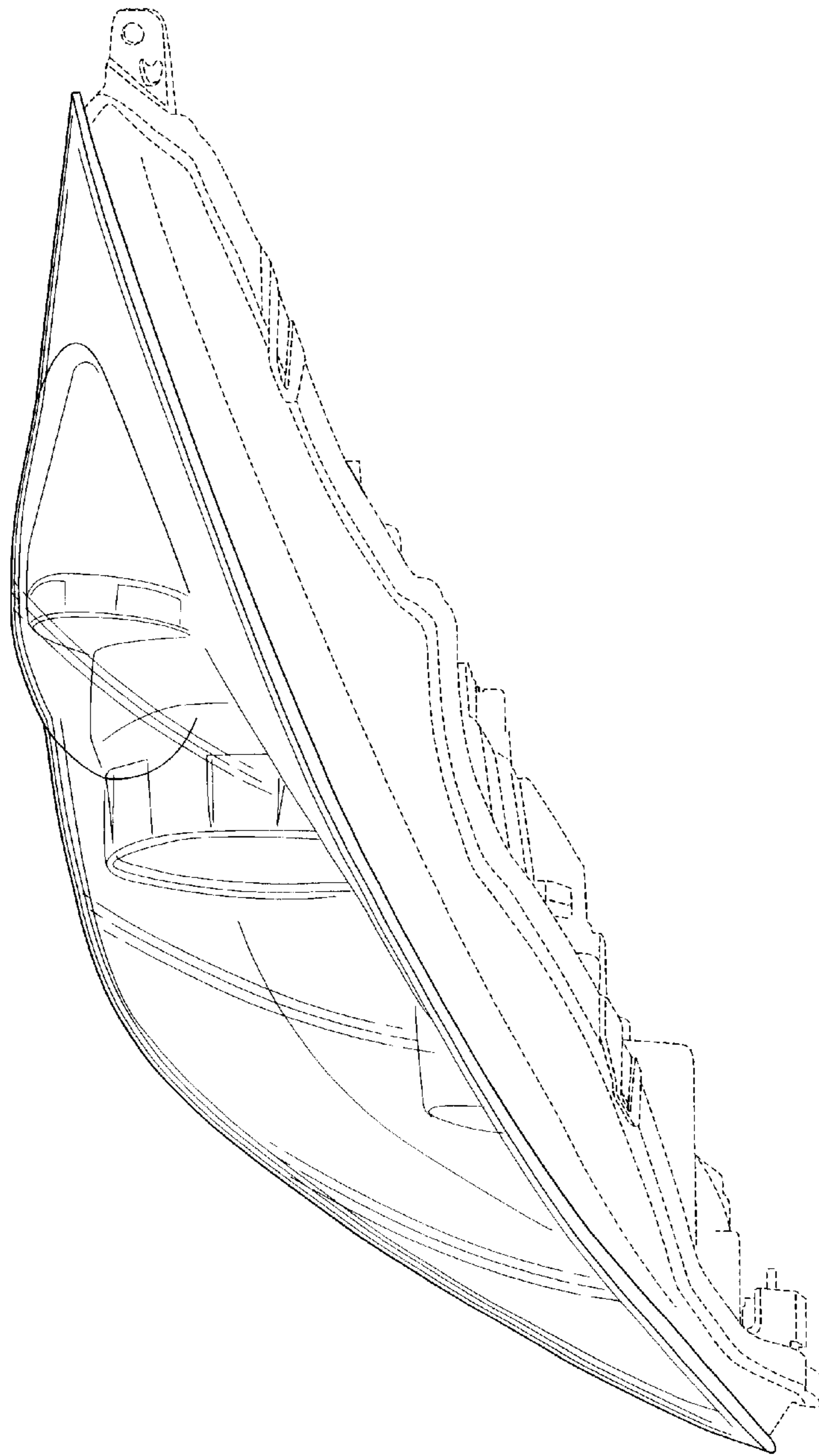


FIG.4

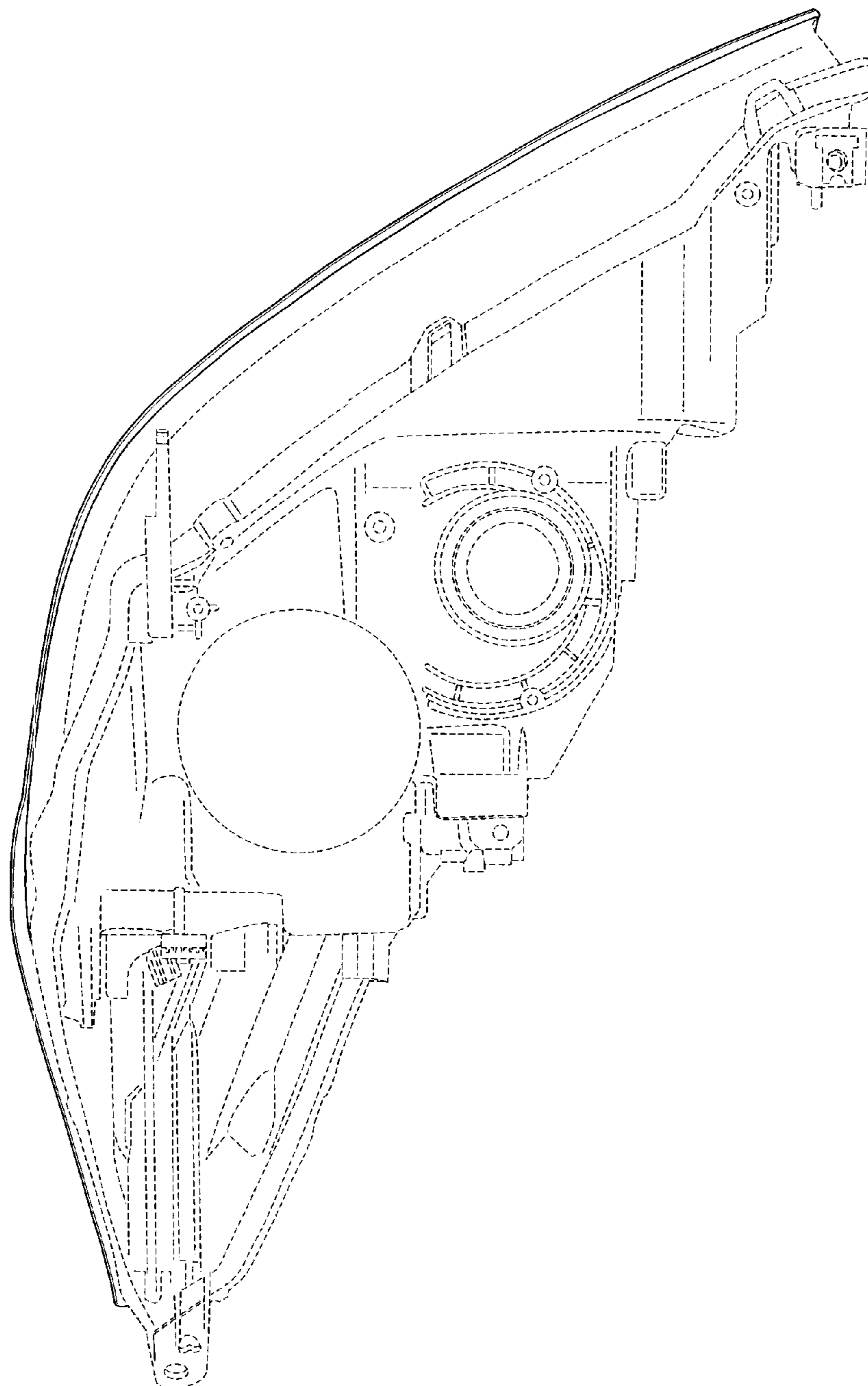




FIG.5

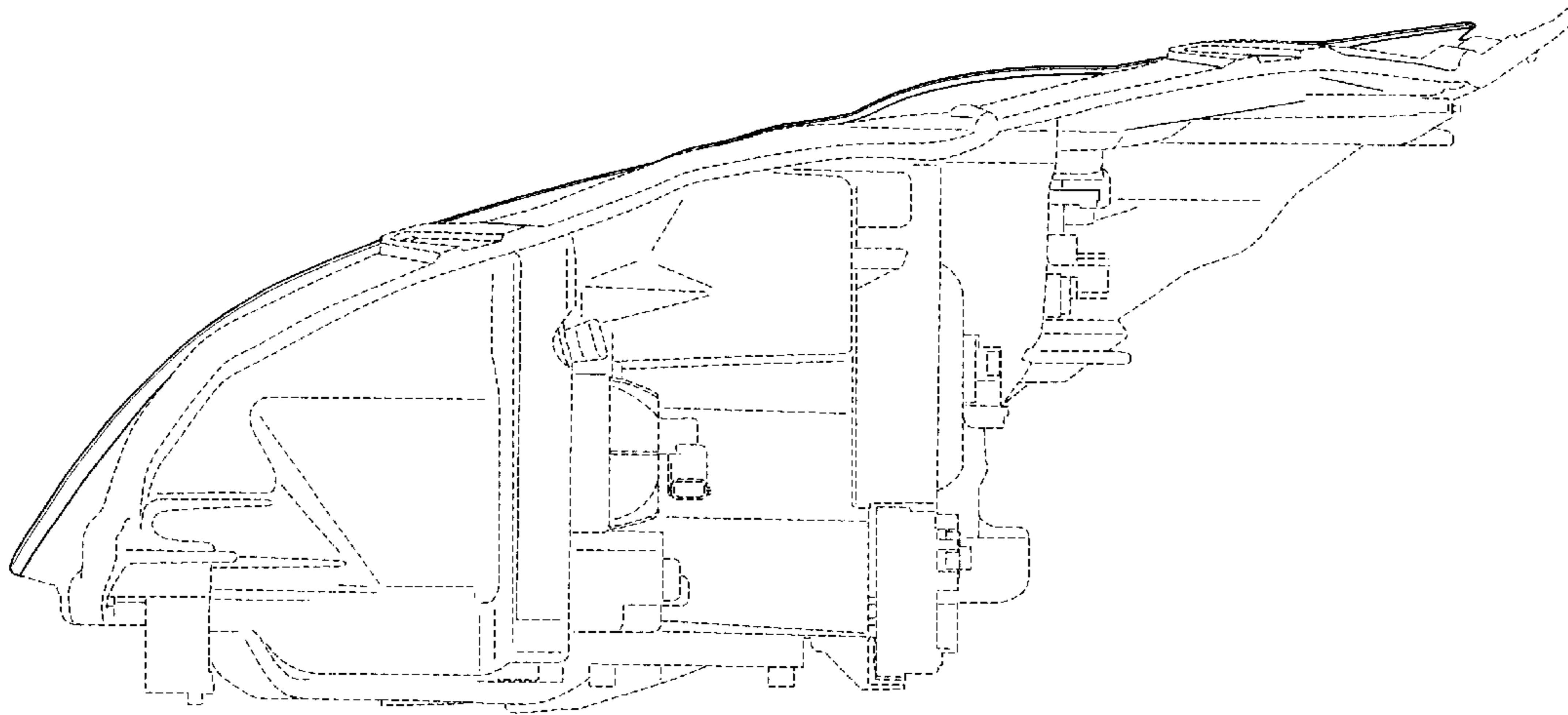


FIG.6

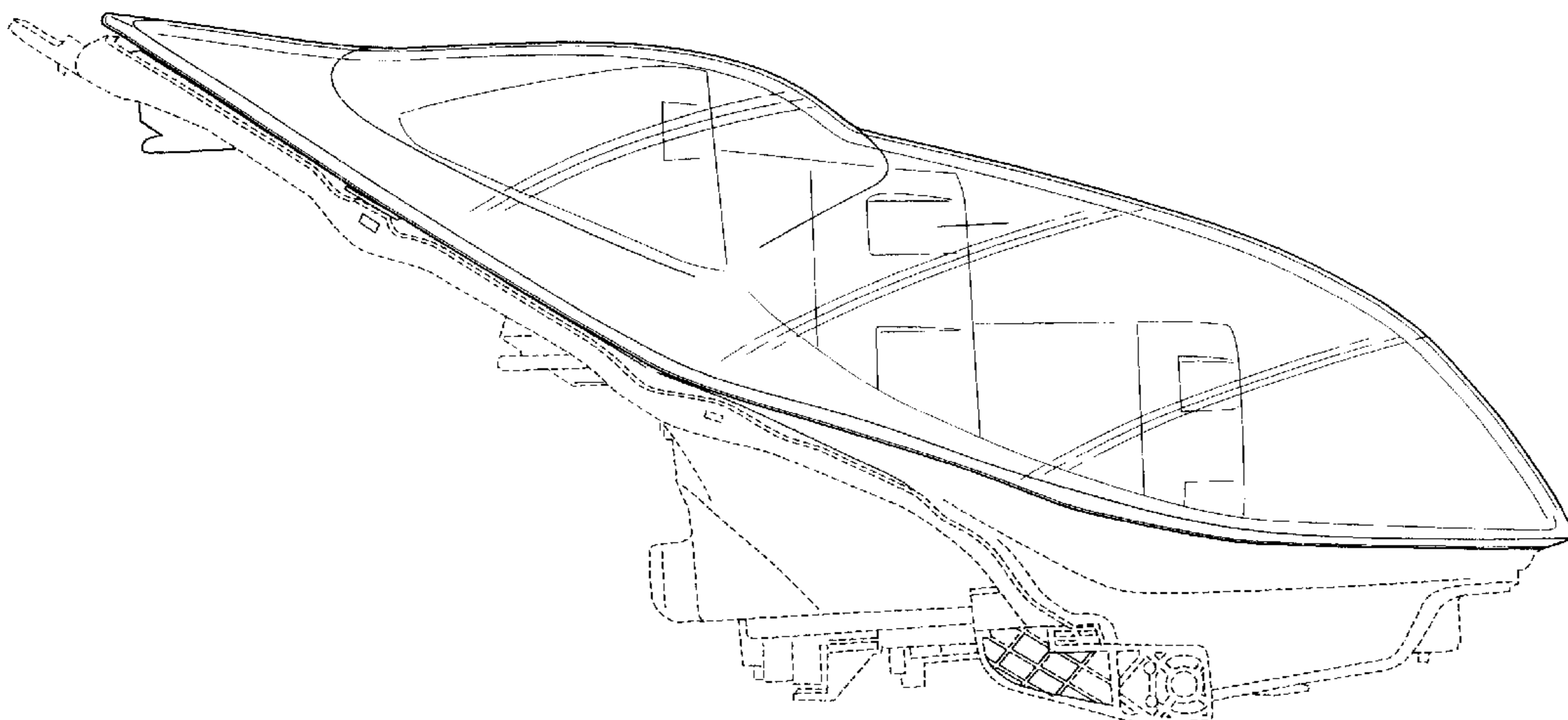


FIG.7

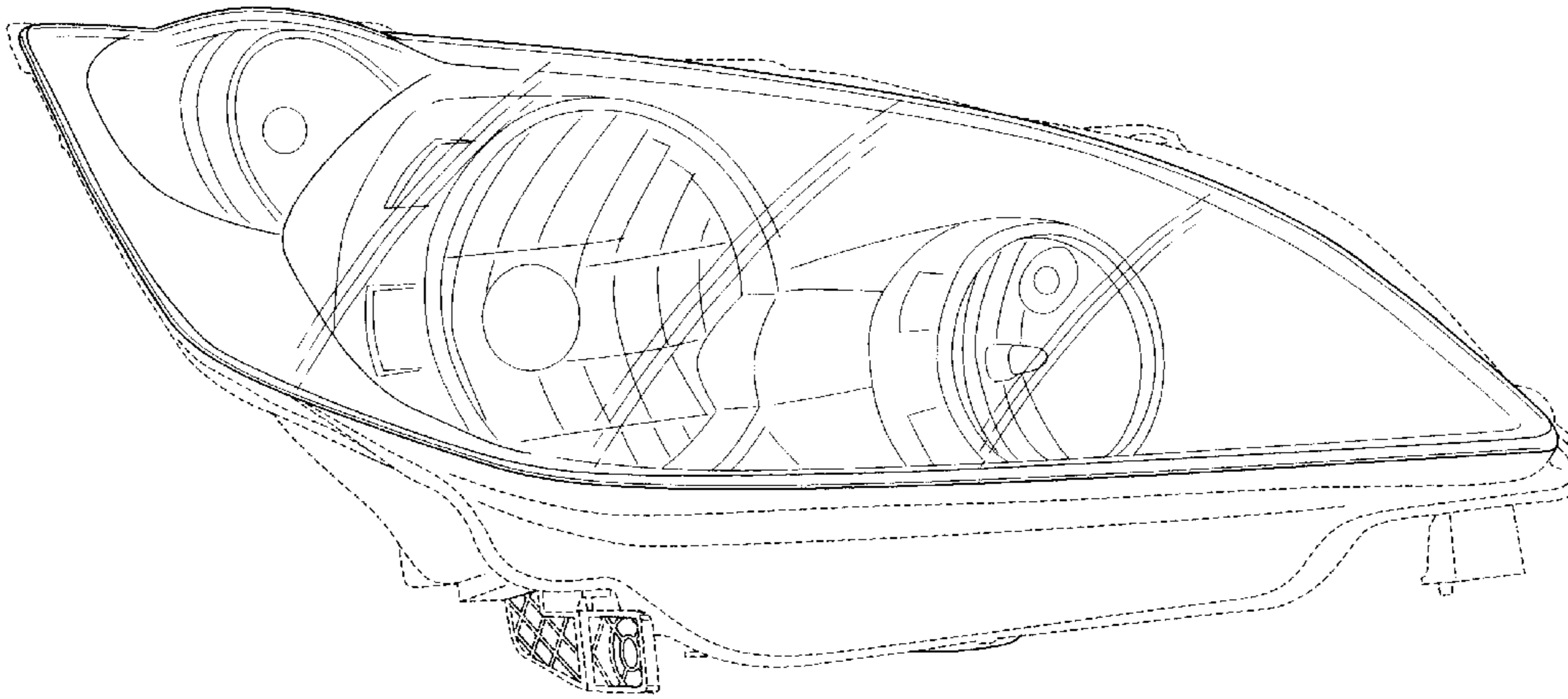


FIG.8

