



US00D535403S

(12) **United States Design Patent**  
**Isozaki et al.**

(10) **Patent No.:** **US D535,403 S**  
(45) **Date of Patent:** **\*\* Jan. 16, 2007**

(54) **COMPONENT EXTRACTOR FOR BIOCHEMISTRY**

(75) Inventors: **Makoto Isozaki**, Tokyo (JP); **Aya Okawa**, Tokyo (JP)

(73) Assignee: **Fuji Photo Film Co., Ltd.**, Kanagawa (JP)

(\*\*) Term: **14 Years**

(21) Appl. No.: **29/236,784**

(22) Filed: **Aug. 23, 2005**

(30) **Foreign Application Priority Data**

Feb. 25, 2005 (JP) ..... 2005-005332

(51) **LOC (8) Cl.** ..... **24-02**

(52) **U.S. Cl.** ..... **D24/232**

(58) **Field of Classification Search** ..... D24/224-232;  
D10/81; 422/62, 63, 67-68, 81, 89, 99, 100,  
422/102

See application file for complete search history.

(56) **References Cited**

**U.S. PATENT DOCUMENTS**

- D330,596 S \* 10/1992 Frenkel et al. .... D24/186
- D378,782 S \* 4/1997 LaBarbera et al. .... D24/216
- D430,304 S \* 8/2000 Oonuma et al. .... D24/233
- D467,349 S \* 12/2002 Niedbala et al. .... D24/231

- D471,642 S \* 3/2003 Alden et al. .... D24/232
- D474,279 S \* 5/2003 Mayer et al. .... D24/232
- D491,272 S \* 6/2004 Alden et al. .... D24/216
- D508,999 S \* 8/2005 Fanning et al. .... D24/216
- D515,707 S \* 2/2006 Shinohara et al. .... D24/232
- D527,464 S \* 8/2006 Ina et al. .... D24/232

\* cited by examiner

*Primary Examiner*—Louis Zarfes

*Assistant Examiner*—Mark Cavanna

(74) *Attorney, Agent, or Firm*—Young & Thompson

(57) **CLAIM**

The ornamental design for a component extractor for biochemistry, as shown and described.

**DESCRIPTION**

FIG. 1 is a front perspective view taken from the top and left side of a component extractor for biochemistry, showing our new design;

FIG. 2 is a front view thereof;

FIG. 3 is a rear view thereof;

FIG. 4 is a top view thereof;

FIG. 5 is a bottom view thereof;

FIG. 6 is a left side view thereof;

FIG. 7 is a right side view thereof; and,

FIG. 8 is a right side view with the front portion pivoted upward.

**1 Claim, 4 Drawing Sheets**

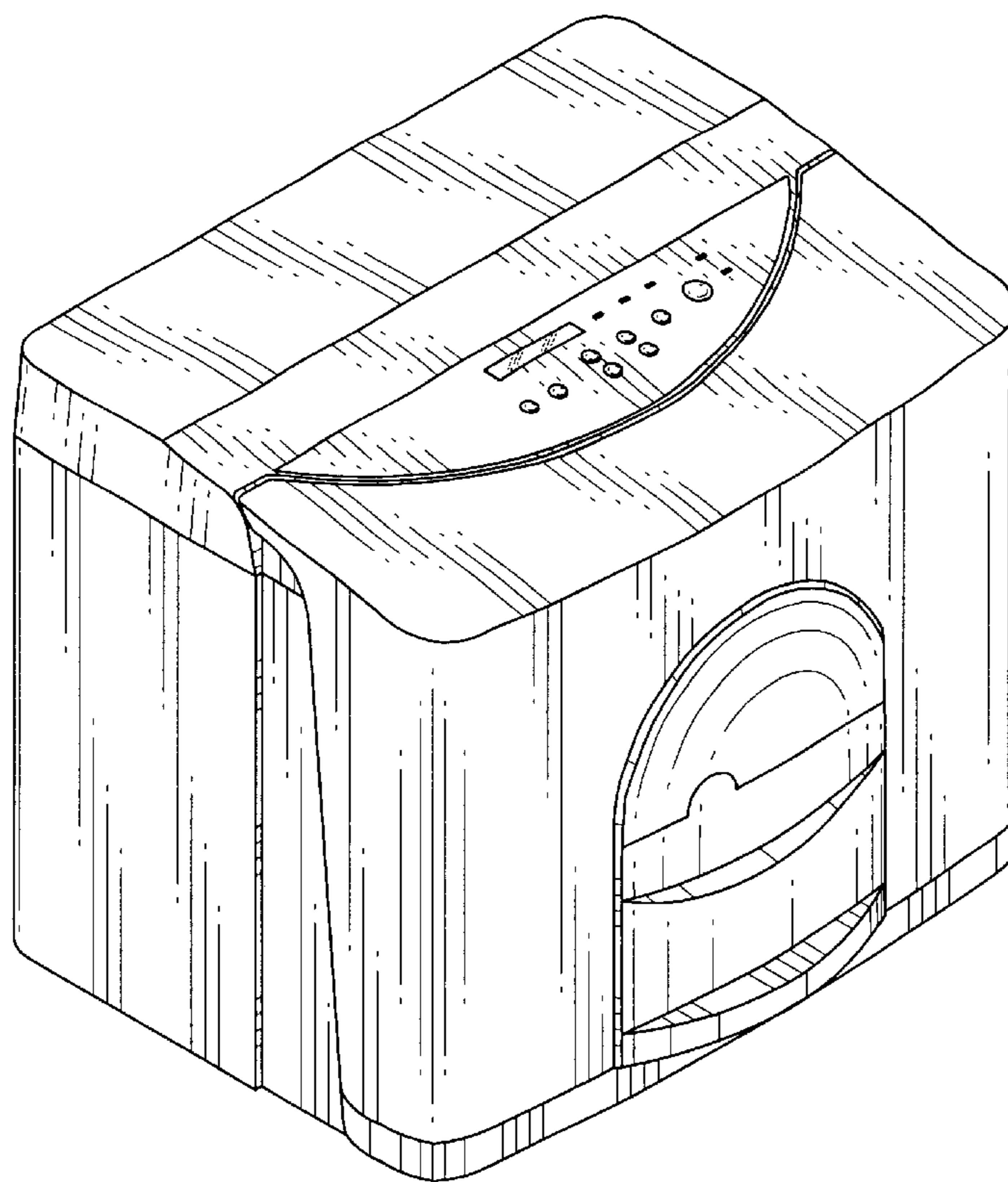


FIG.1

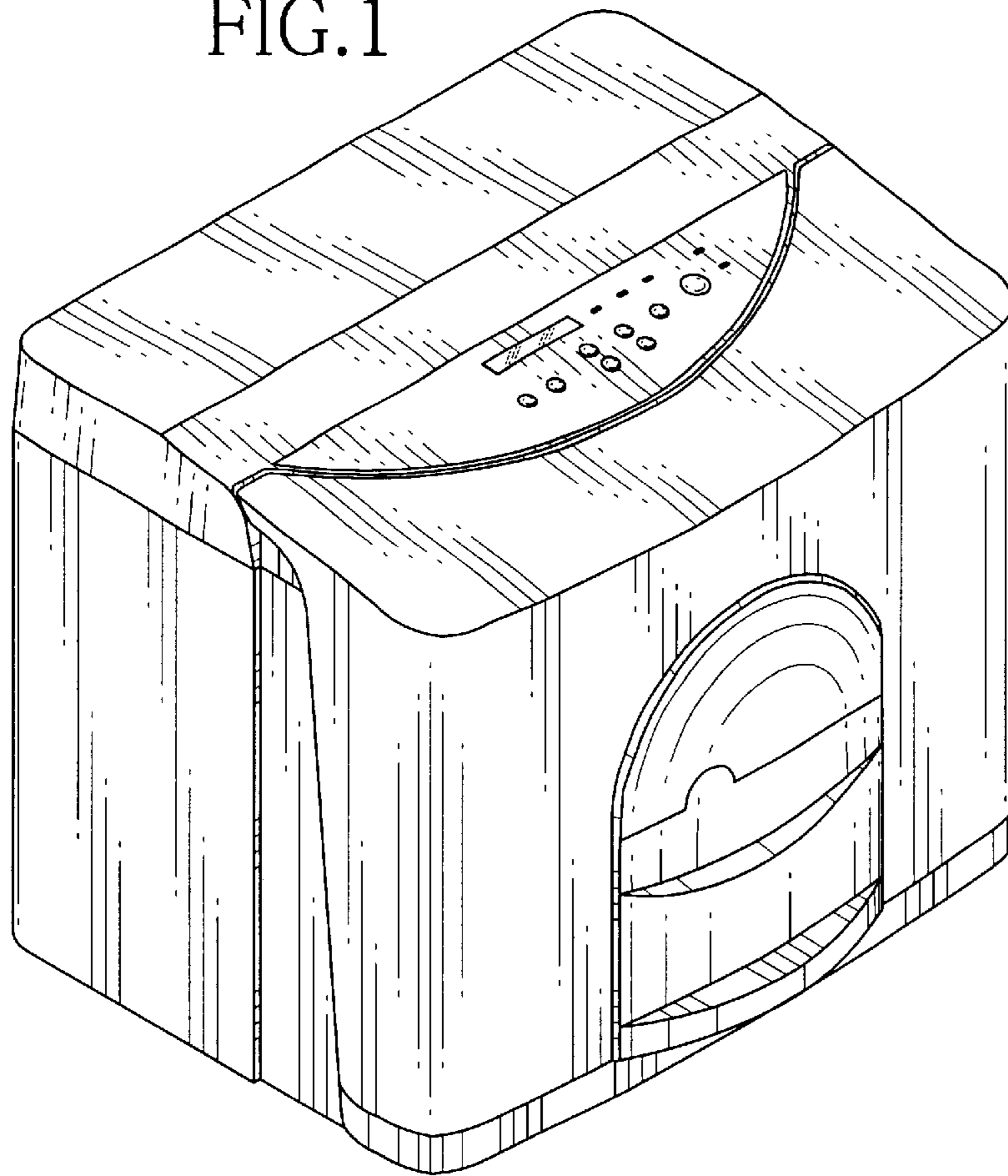


FIG.2

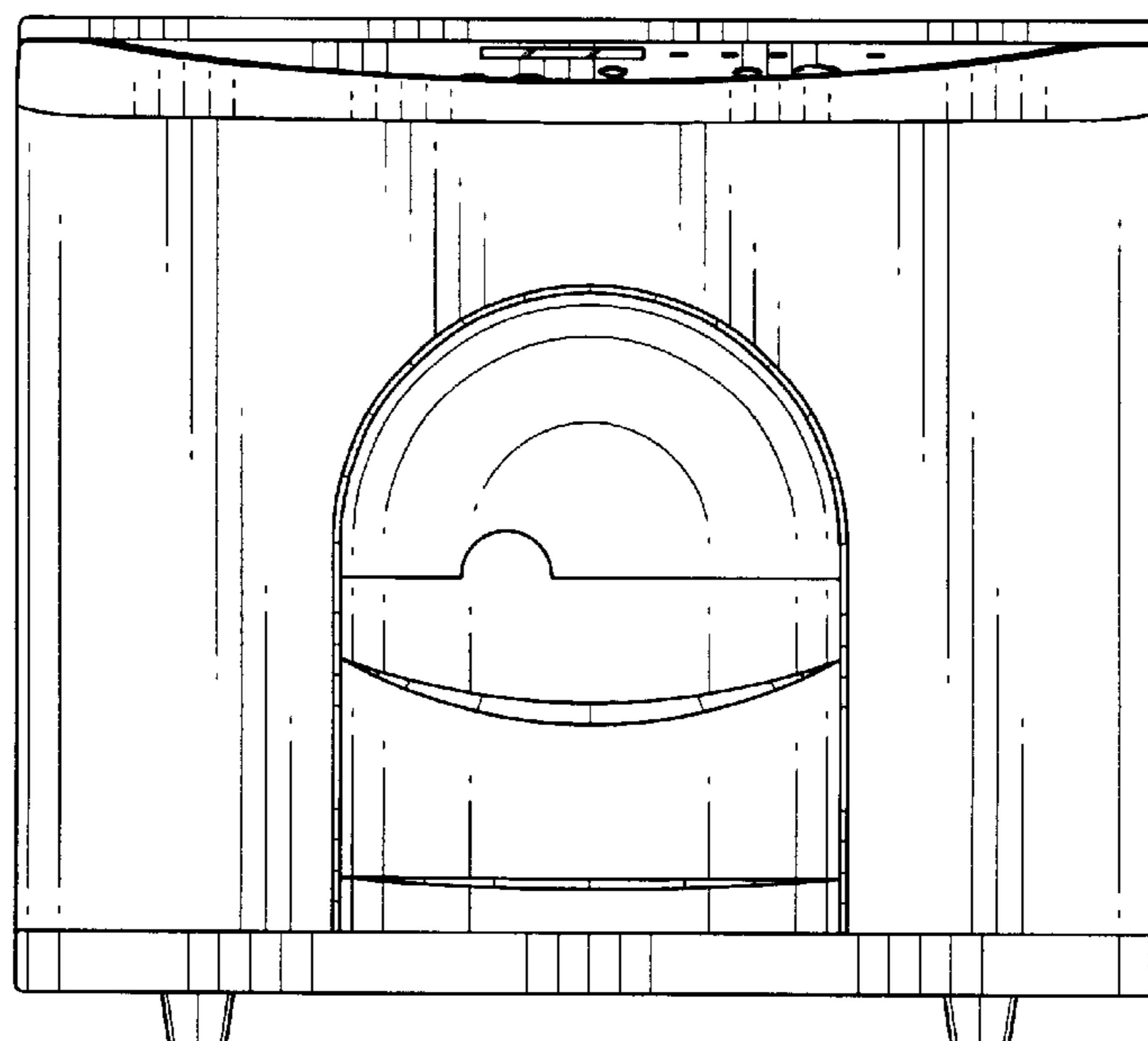


FIG.3

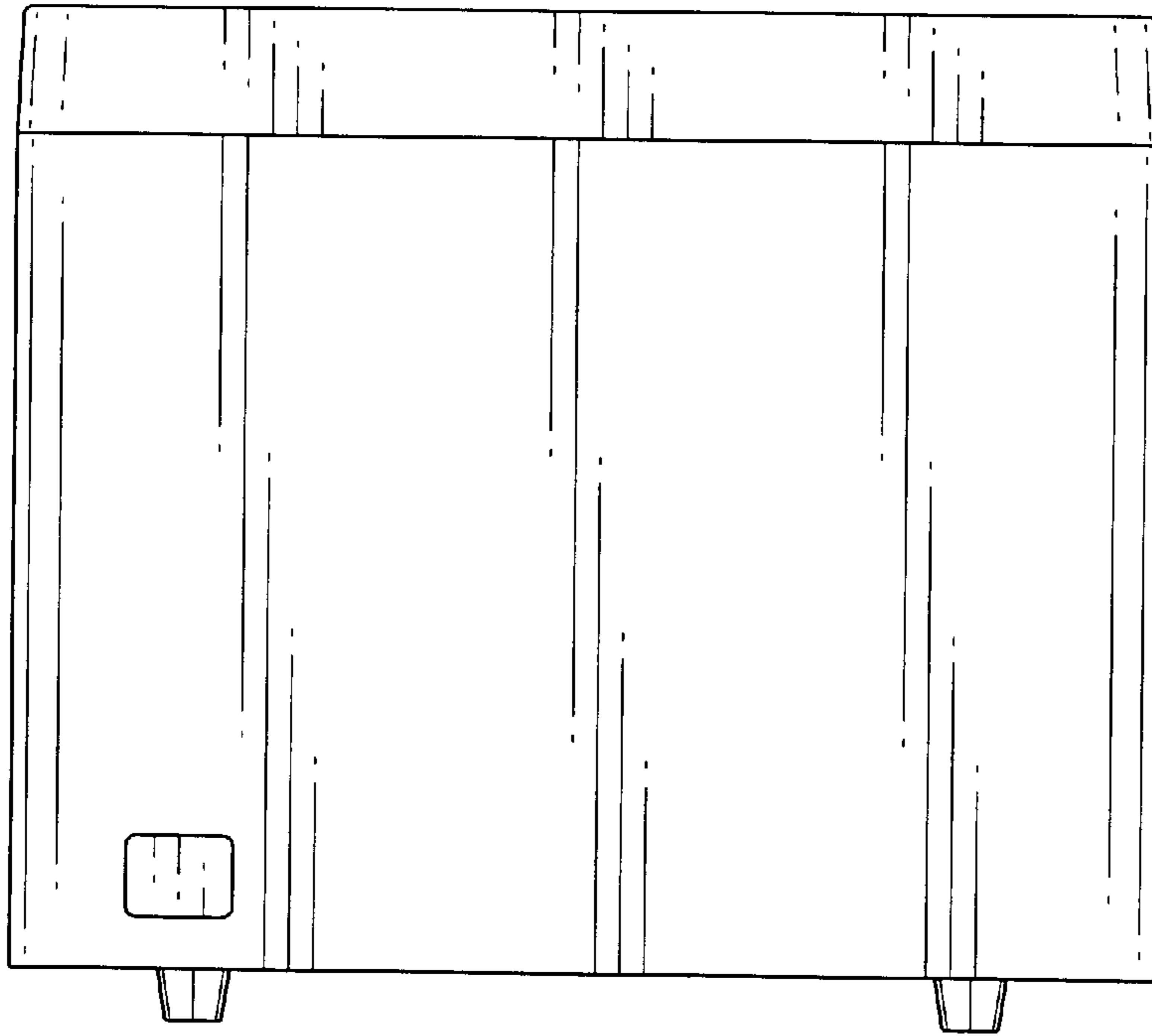


FIG.4

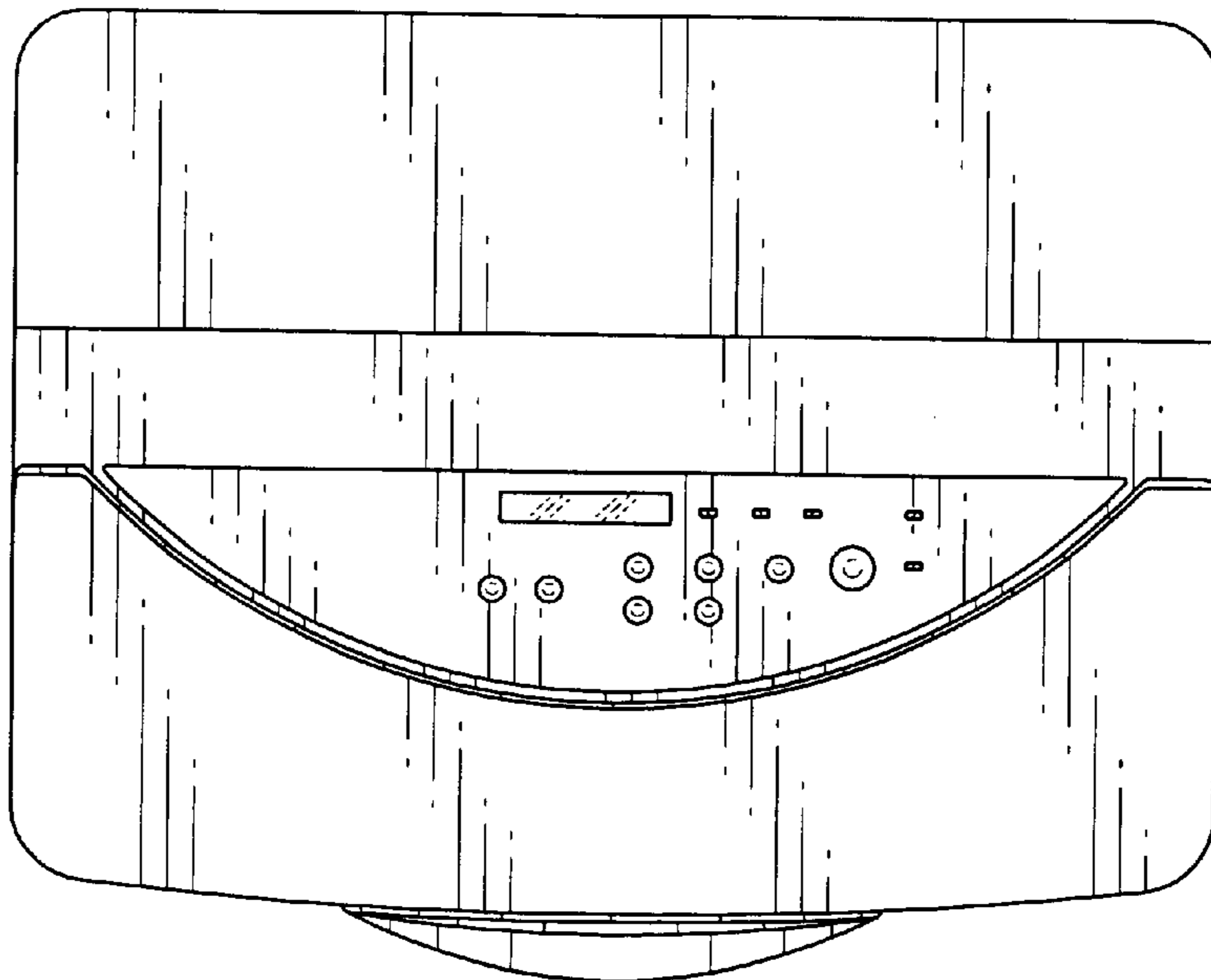


FIG.5

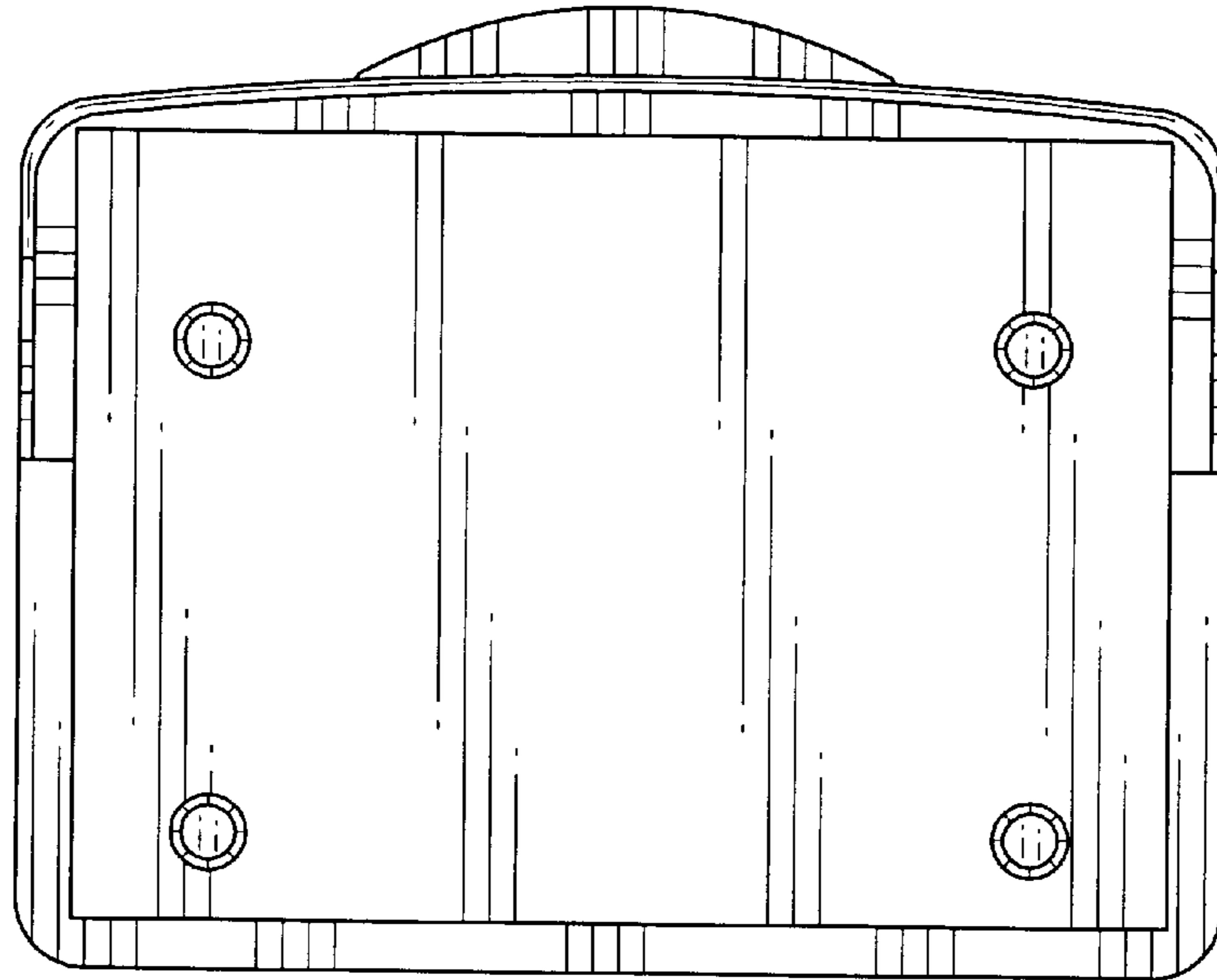


FIG.6

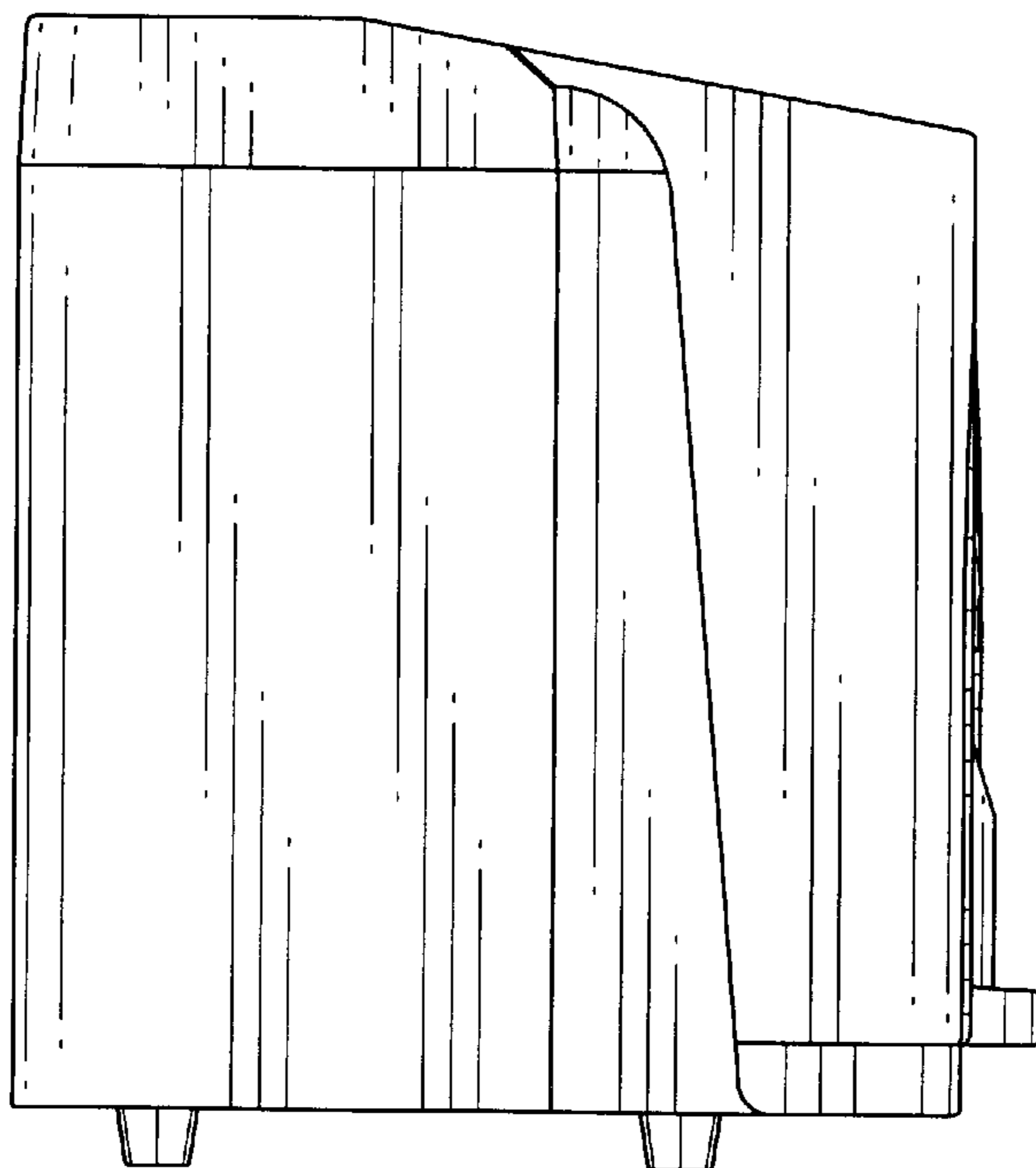


FIG. 7

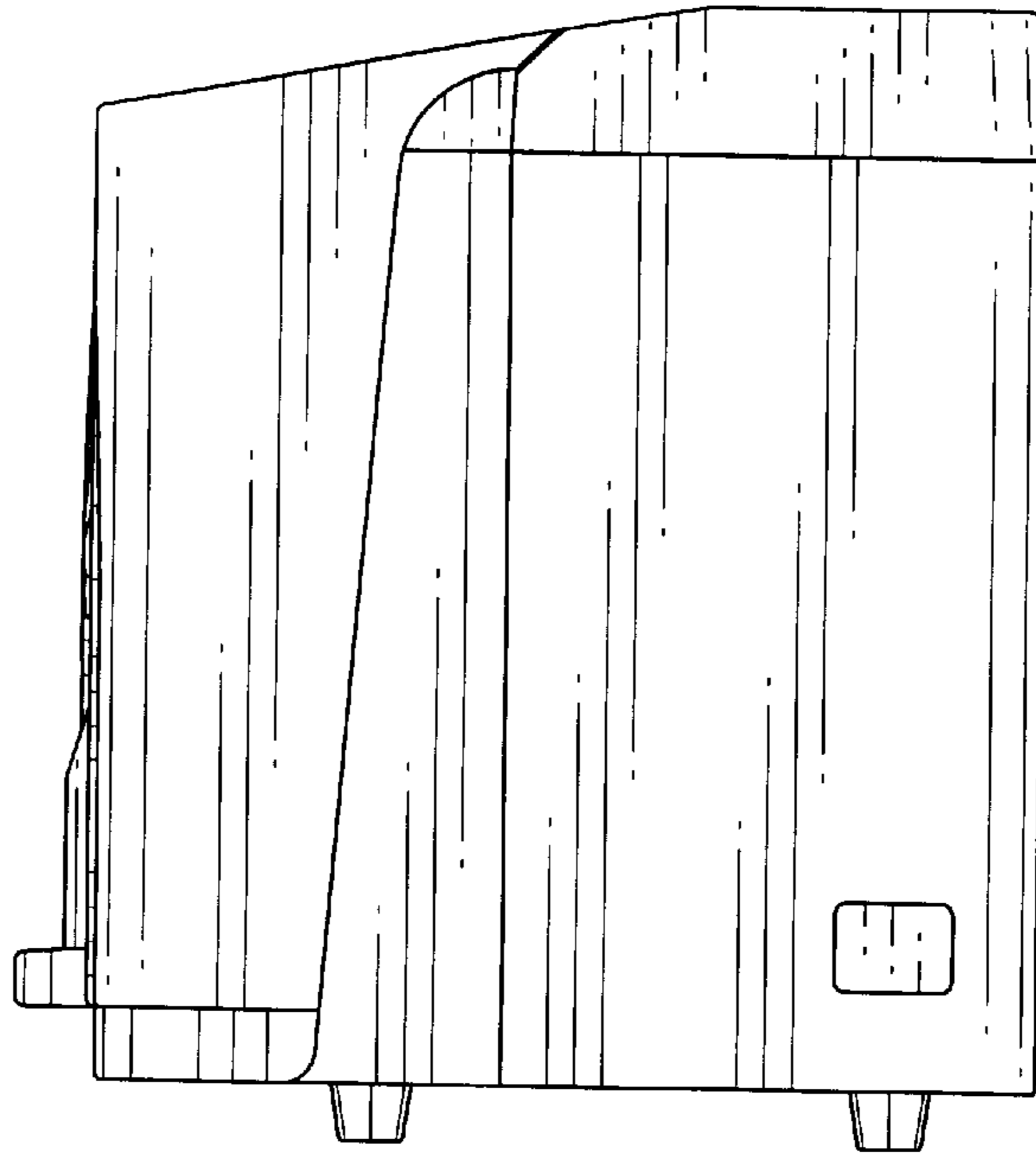


FIG. 8

