



US00D535399S

(12) **United States Design Patent**
Griffin et al.

(10) **Patent No.:** **US D535,399 S**

(45) **Date of Patent:** **** Jan. 16, 2007**

(54) **SAFETY SCALPEL HOLDER**

(76) Inventors: **Michael D. Griffin**, 34255 Agua Dulce Canyon Rd., Agua Dulce, CA (US) 91390; **Rodolfo Gaba**, 722 Harper St., Simi Valley, CA (US) 93065

(**) Term: **14 Years**

(21) Appl. No.: **29/231,238**

(22) Filed: **Jun. 1, 2005**

Related U.S. Application Data

(63) Continuation-in-part of application No. 10/800,306, filed on Mar. 12, 2004.

(51) **LOC (8) Cl.** **24-02**

(52) **U.S. Cl.** **D24/146; D24/147**

(58) **Field of Classification Search** D24/146, D24/147, 133; 606/167; 30/335, 151, 337, 30/340

See application file for complete search history.

(56) **References Cited**

U.S. PATENT DOCUMENTS

4,922,614 A	5/1990	Machida
5,078,724 A	1/1992	Takase
5,139,507 A	8/1992	Dolgin et al.
5,207,696 A	5/1993	Matwijcow
5,324,299 A	6/1994	Davison
5,342,379 A	8/1994	Volinsky
5,527,329 A	6/1996	Gharibian
5,599,351 A	2/1997	Haber et al.

5,676,677 A	10/1997	Landis et al.	
5,792,162 A	8/1998	Jolly et al.	
5,827,309 A	* 10/1998	Jolly et al.	606/167
5,830,226 A	11/1998	Webb et al.	
5,868,771 A	2/1999	Herbert	
5,919,201 A	* 7/1999	Carter et al.	606/167
5,938,675 A	8/1999	Gharibian	
5,938,676 A	8/1999	Cohn et al.	
5,941,892 A	8/1999	Cohn et al.	
6,053,929 A	4/2000	Cohn et al.	
D473,649 S	4/2003	Howell et al.	
6,626,925 B1	9/2003	Newman et al.	
6,629,985 B1	10/2003	Kiehne	
D482,122 S	* 11/2003	Cohn et al.	D24/147
2002/0143352 A1	10/2002	Newman et al.	

* cited by examiner

Primary Examiner—Antoine D. Davis

Assistant Examiner—Christopher Lee

(74) *Attorney, Agent, or Firm*—Cislo & Thomas, LLP

(57) **CLAIM**

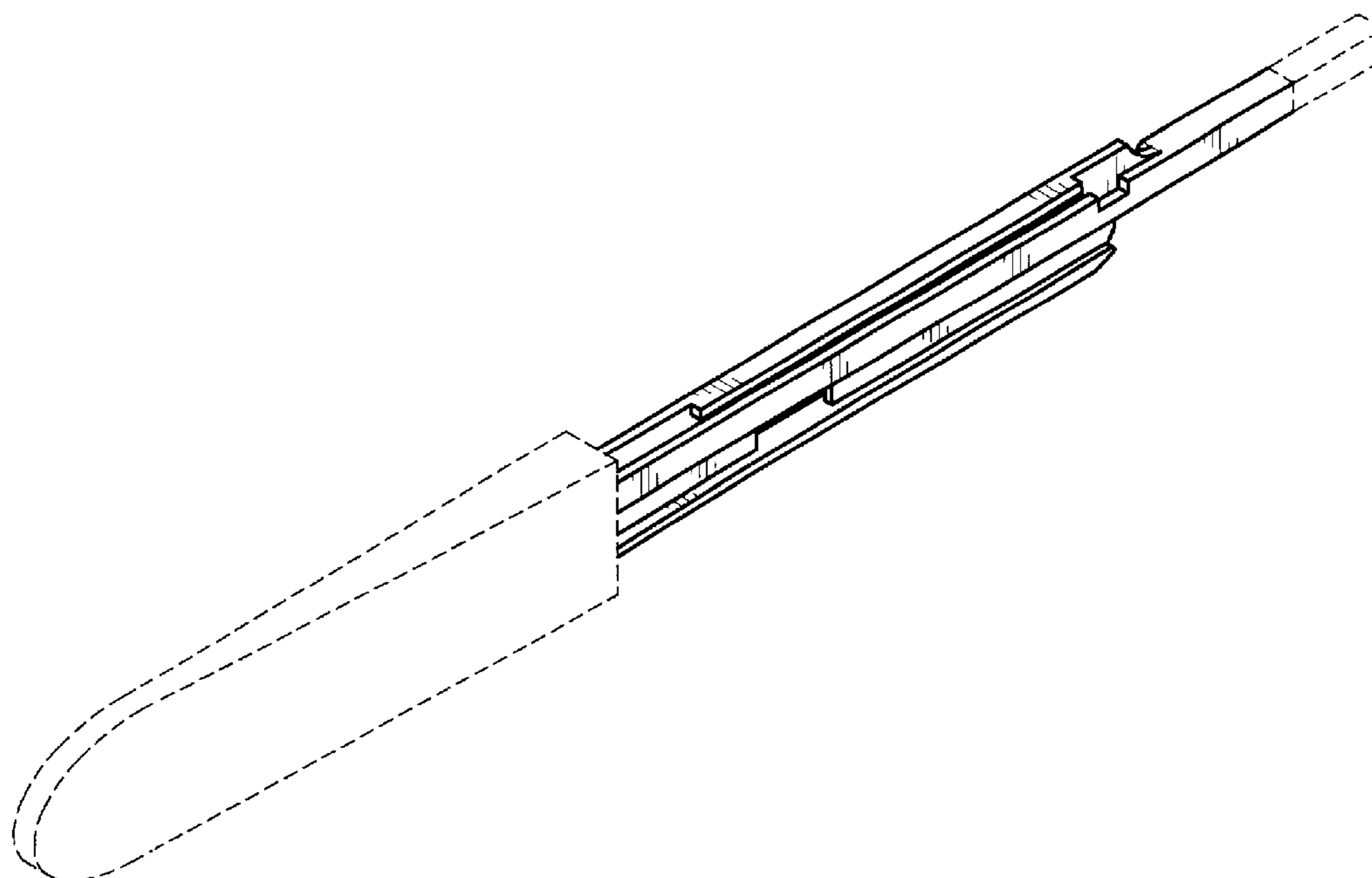
We claim the ornamental design for a safety scalpel holder, as shown and described.

DESCRIPTION

FIG. 1 is a top perspective view of the safety scalpel holder; FIG. 2 is a bottom perspective view thereof; FIG. 3 is a right side elevation view thereof; and, FIG. 4 is a left side elevation view thereof.

The broken lines showing environment in the drawings are for illustrative purposes only and form no part of the claimed design.

1 Claim, 2 Drawing Sheets



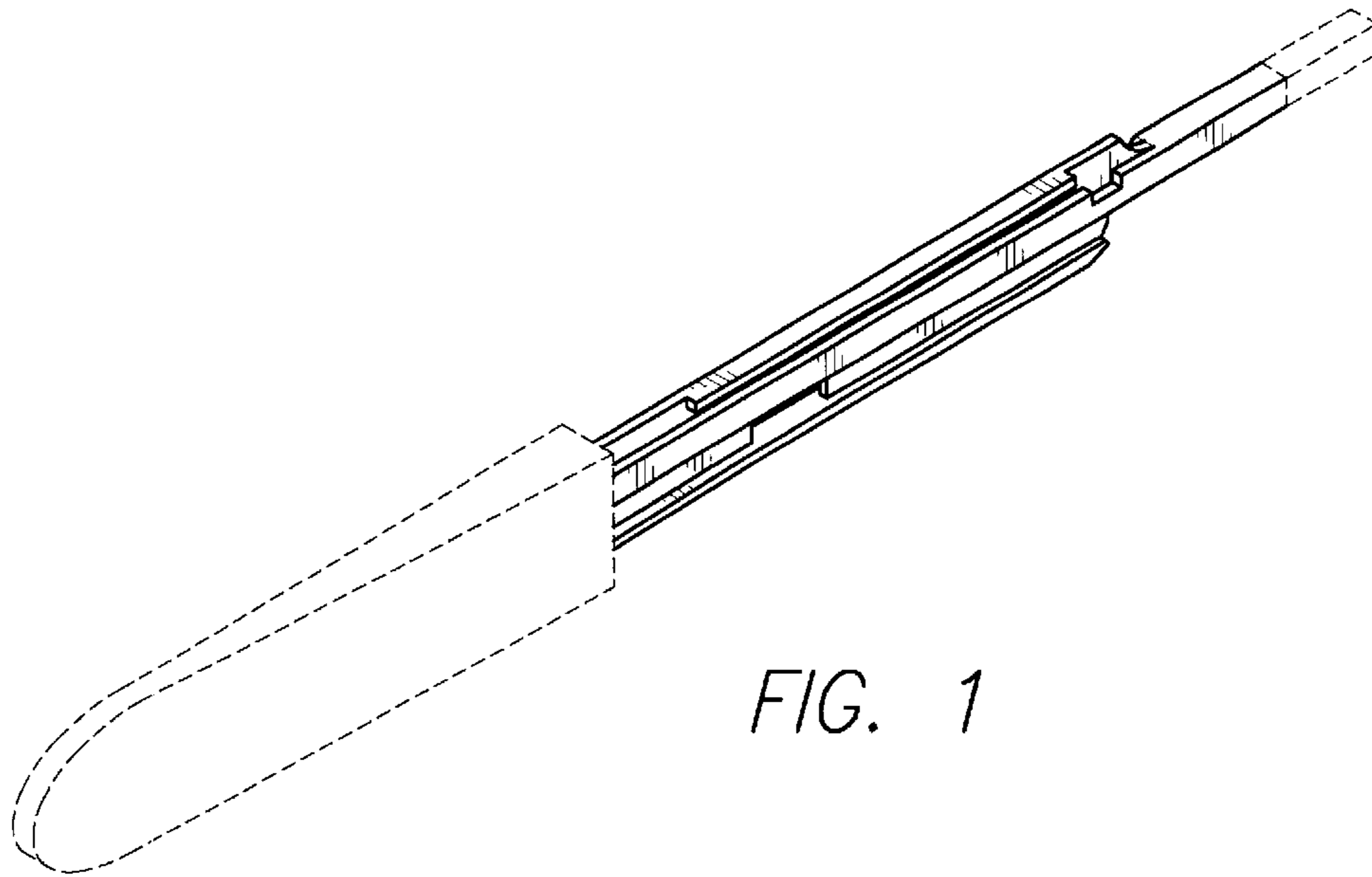


FIG. 1

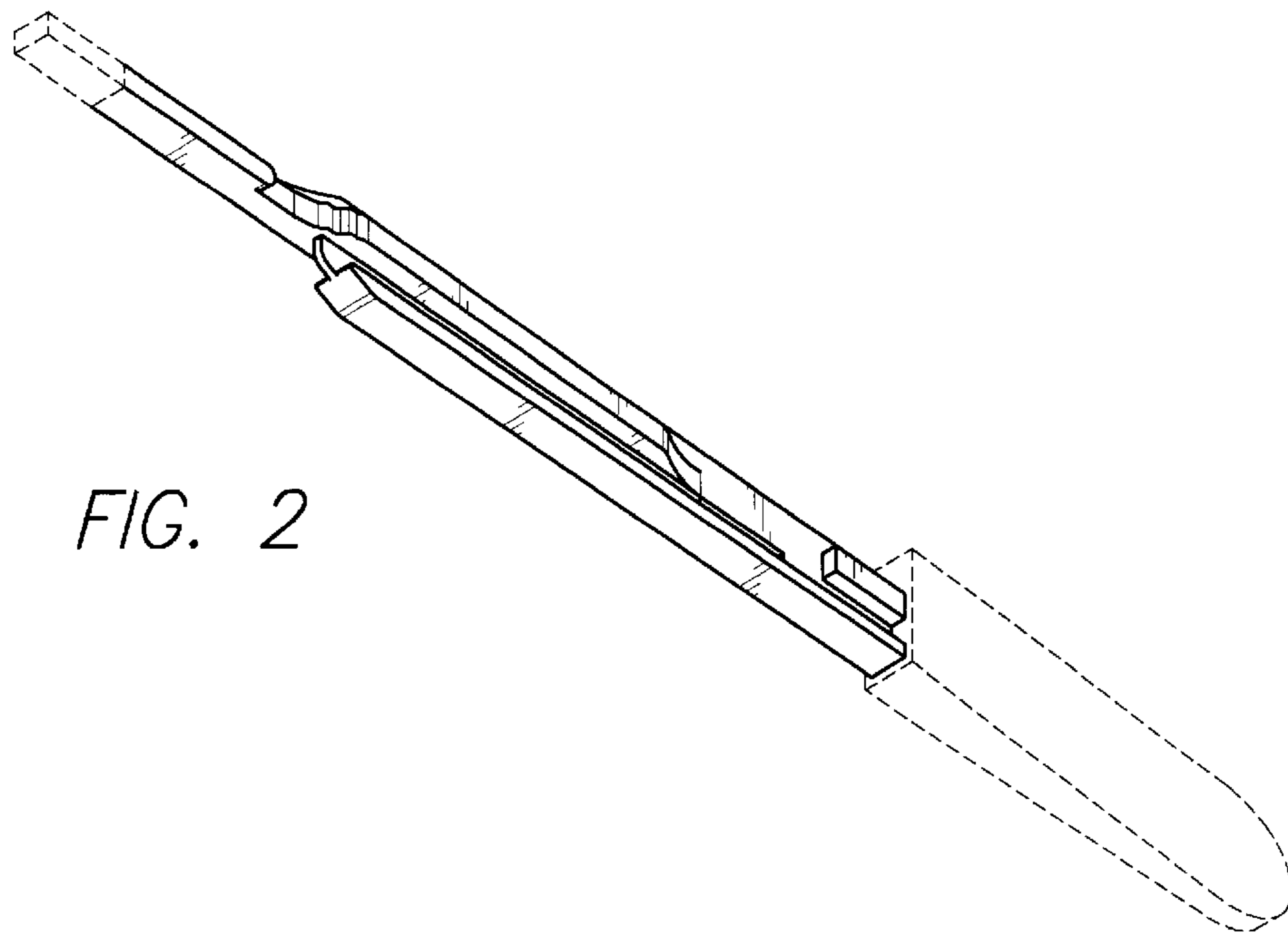


FIG. 2

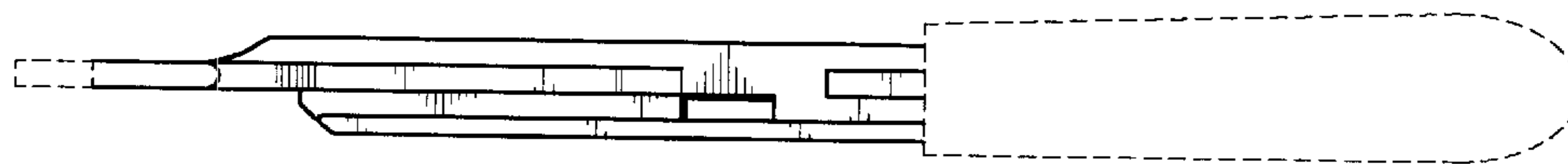


FIG. 3

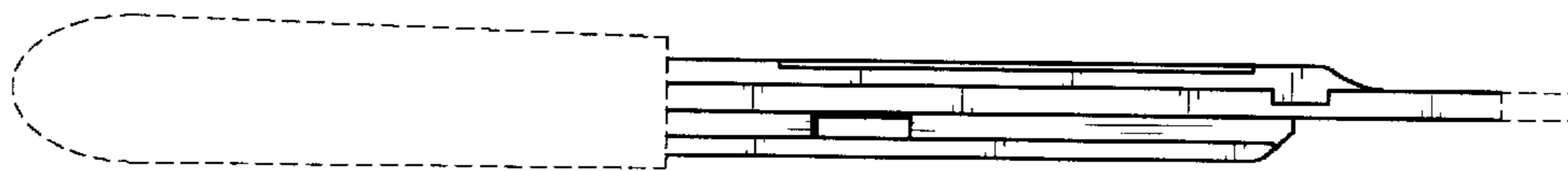


FIG. 4