

US00D535398S

(12) **United States Design Patent**
Stammburger

(10) **Patent No.:** **US D535,398 S**

(45) **Date of Patent:** **** Jan. 16, 2007**

(54) **PUNCH FOR USE WITH MEDICAL INSTRUMENT**

(75) Inventor: **Heinz Stammburger**, Graz (AT)

(73) Assignee: **Karl Storz GmbH & Co. KG** (DE)

(**) Term: **14 Years**

(21) Appl. No.: **29/227,701**

(22) Filed: **Apr. 14, 2005**

(30) **Foreign Application Priority Data**

Oct. 14, 2004 (DE) 4 04 05 923

(51) **LOC (8) Cl.** **24-02**

(52) **U.S. Cl.** **D24/146; D24/147; D24/133**

(58) **Field of Classification Search** D24/146,
D24/147, 133; 606/170, 208, 205
See application file for complete search history.

(56) **References Cited**

U.S. PATENT DOCUMENTS

| | | | | |
|--------------|------|---------|-------------------|---------|
| 5,582,618 | A | 12/1996 | Chin et al. | 606/170 |
| 5,766,177 | A | 6/1998 | Lucas-Dean et al. | 606/83 |
| D465,281 | S * | 11/2002 | Lang | D24/147 |
| 6,500,189 | B1 | 12/2002 | Lang et al. | 606/170 |
| D498,300 | S * | 11/2004 | Karl-Heinz | D24/146 |
| D505,725 | S * | 5/2005 | Karl-Heinz | D24/146 |
| 2002/0143354 | A1 | 10/2002 | Lang | 606/167 |
| 2005/0038469 | A1 * | 2/2005 | Lang | 606/207 |

FOREIGN PATENT DOCUMENTS

| | | |
|----|----------------|---------|
| DE | 849 592 | 9/1952 |
| DE | 67 204 | 6/1969 |
| DE | 103 42 002 A1 | 4/2005 |
| EP | 0 614 647 A2 | 9/1994 |
| EP | 1 055 397 B1 | 11/2000 |
| GB | 2 198 950 A | 6/1988 |
| WO | WO 2005/023122 | 3/2005 |

* cited by examiner

Primary Examiner—Antoine D. Davis

Assistant Examiner—Christopher Lee

(74) *Attorney, Agent, or Firm*—St. Onge Steward Johnston & Reens LLC

(57) **CLAIM**

The ornamental design for a punch for use with medical instrument, as shown and described.

DESCRIPTION

FIG. 1 is a side view of the medical punch in a first operating state, where the tool is open;

FIG. 2 is a side view of the medical punch in a second operating state, where the tool is closed;

FIG. 3 is an enlarged view of a distal portion of the medical punch of FIG. 1 in a side view in the first operating state according to FIG. 1;

FIG. 4 is an enlarged view of the distal portion of the medical punch of FIG. 2 in a side view in the second operating state according to FIG. 2;

FIG. 5 is a side view in a first operating state where the tool is open;

FIG. 6 is a side view in a second operating state where the tool is closed;

FIG. 7 is a view rotated by about 90° with respect to FIG. 5;

FIG. 8 is a view rotated by about 90° with respect to FIG. 6;

FIG. 9 is a perspective front view in the first operating state; and

FIG. 10 is a perspective rear side view in the first operating state;

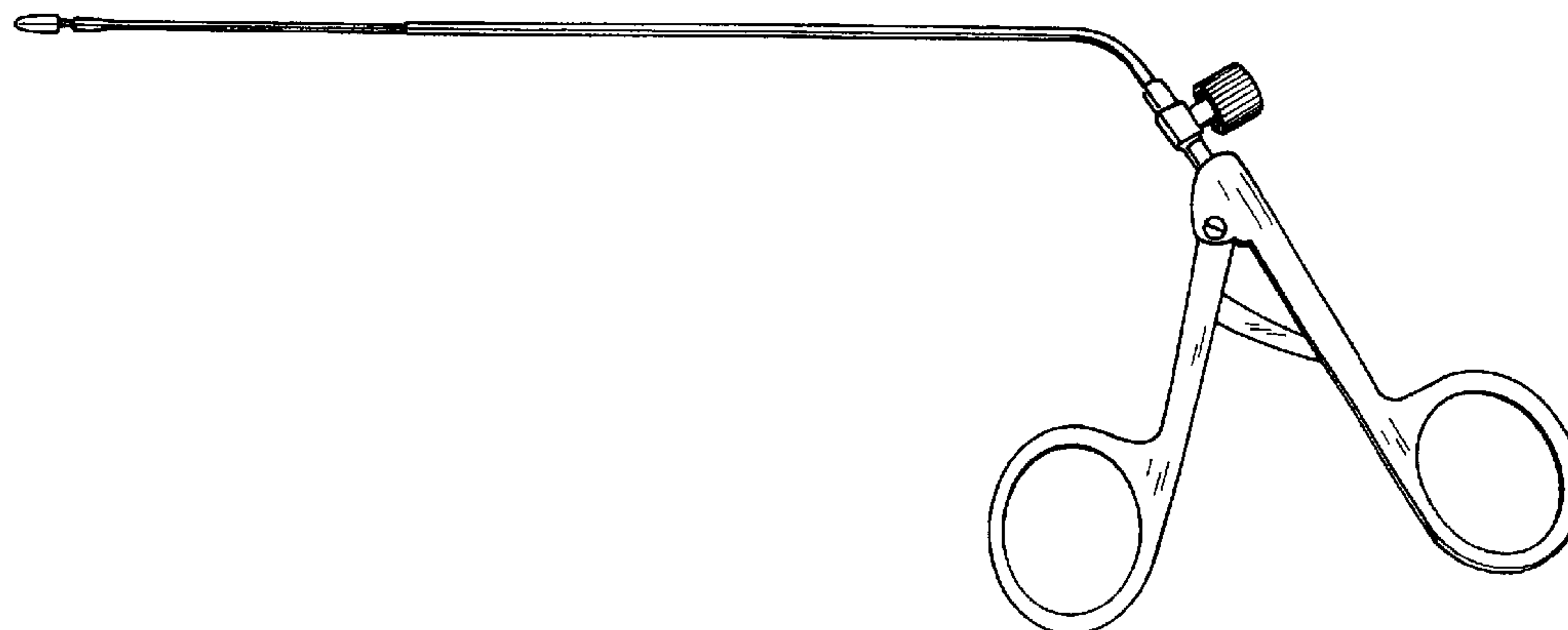
FIG. 11 is a side view of the medical punch in a first operating state where the tool is open;

FIG. 12 is a side view of the medical punch in a second operating state, where the tool is closed;

FIG. 13 is a side view of the distal portion of the shaft and the tool in the first operating state according to FIG. 11 in enlarged scale; and,

FIG. 14 is a side view of the distal portion of the shaft and the tool in the second operating state according to FIG. 12 in enlarged scale.

1 Claim, 14 Drawing Sheets



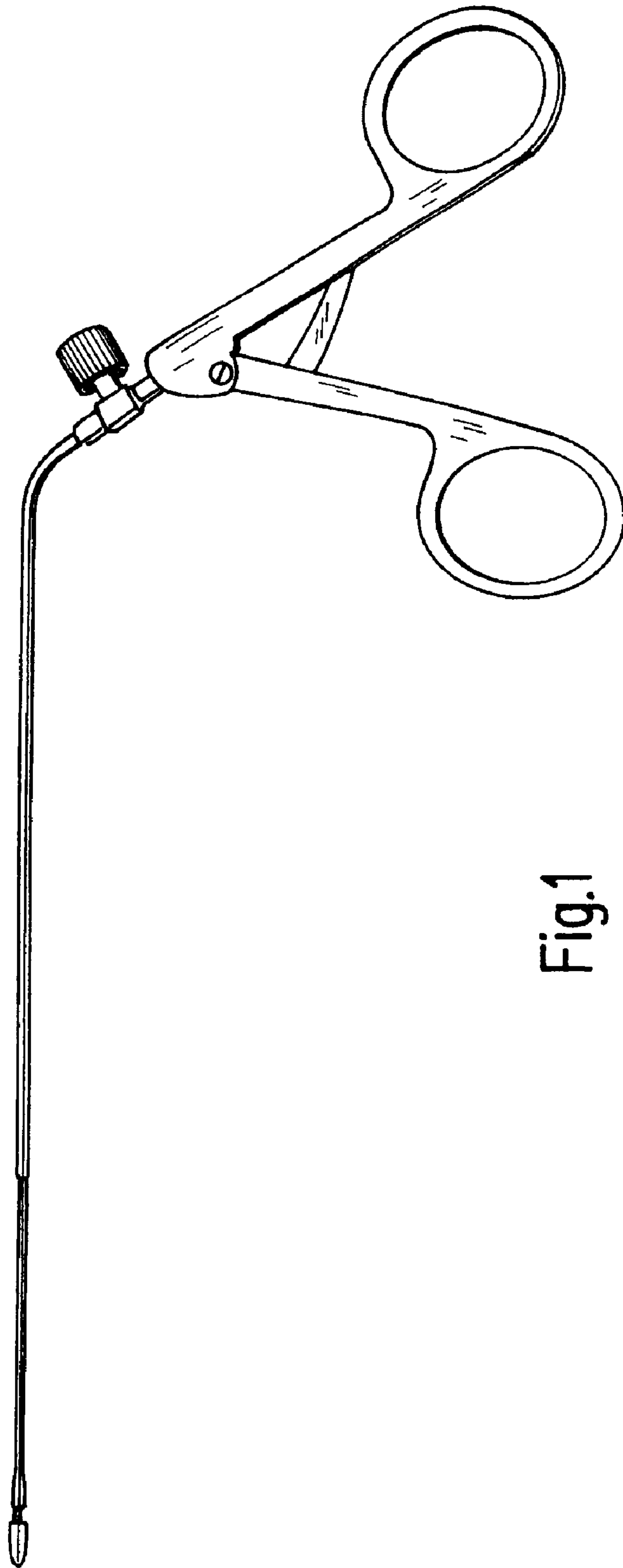


Fig.1

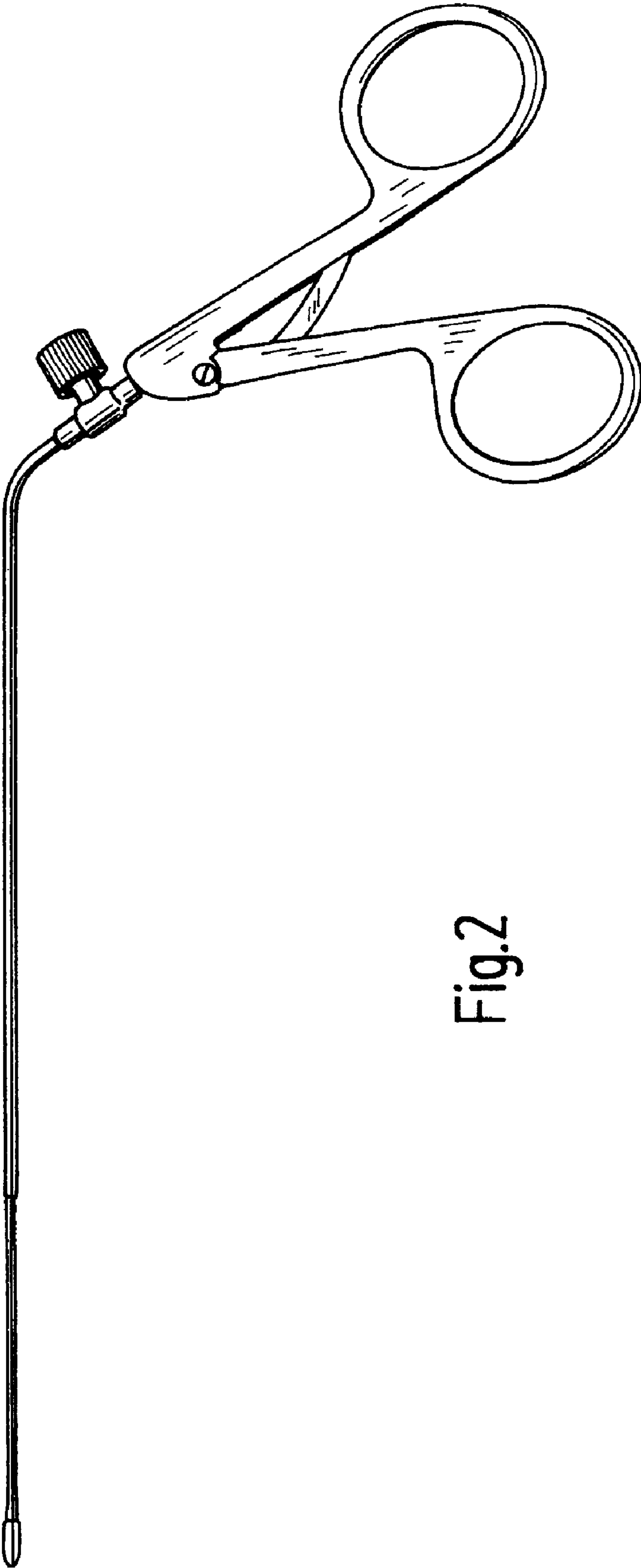


Fig.2



Fig.3

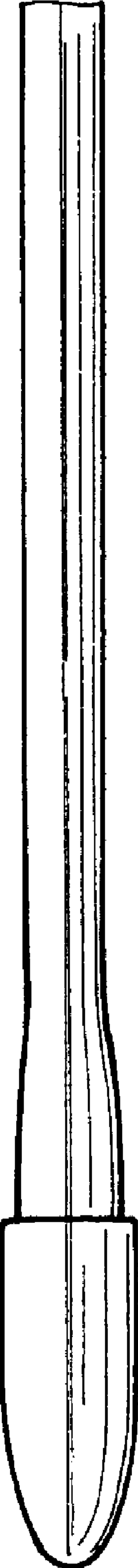


Fig.4

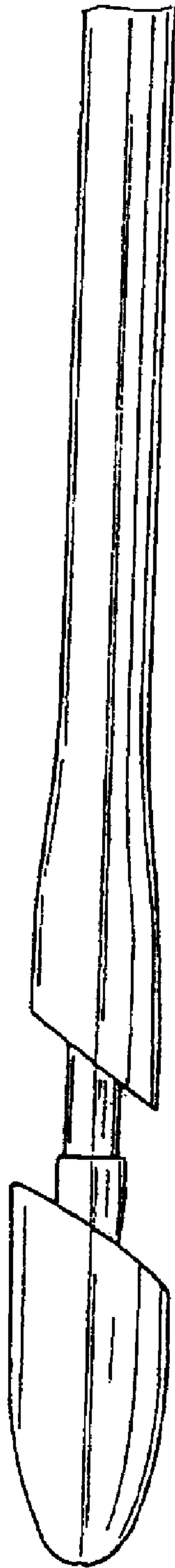


Fig.5

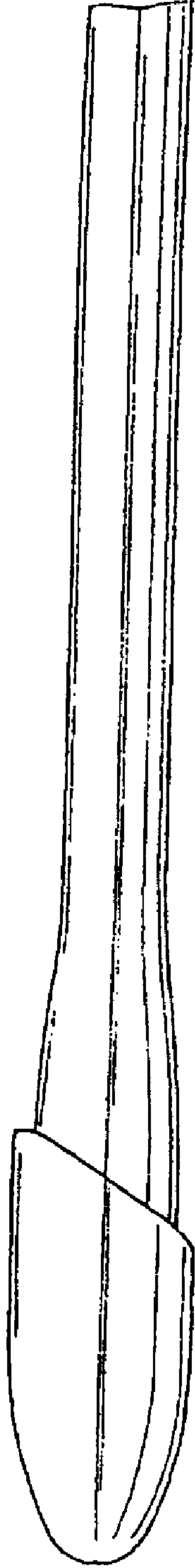


Fig.6



Fig.7

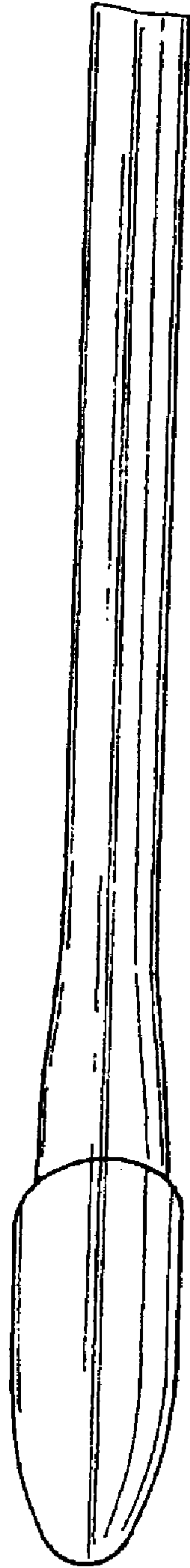


Fig. 8

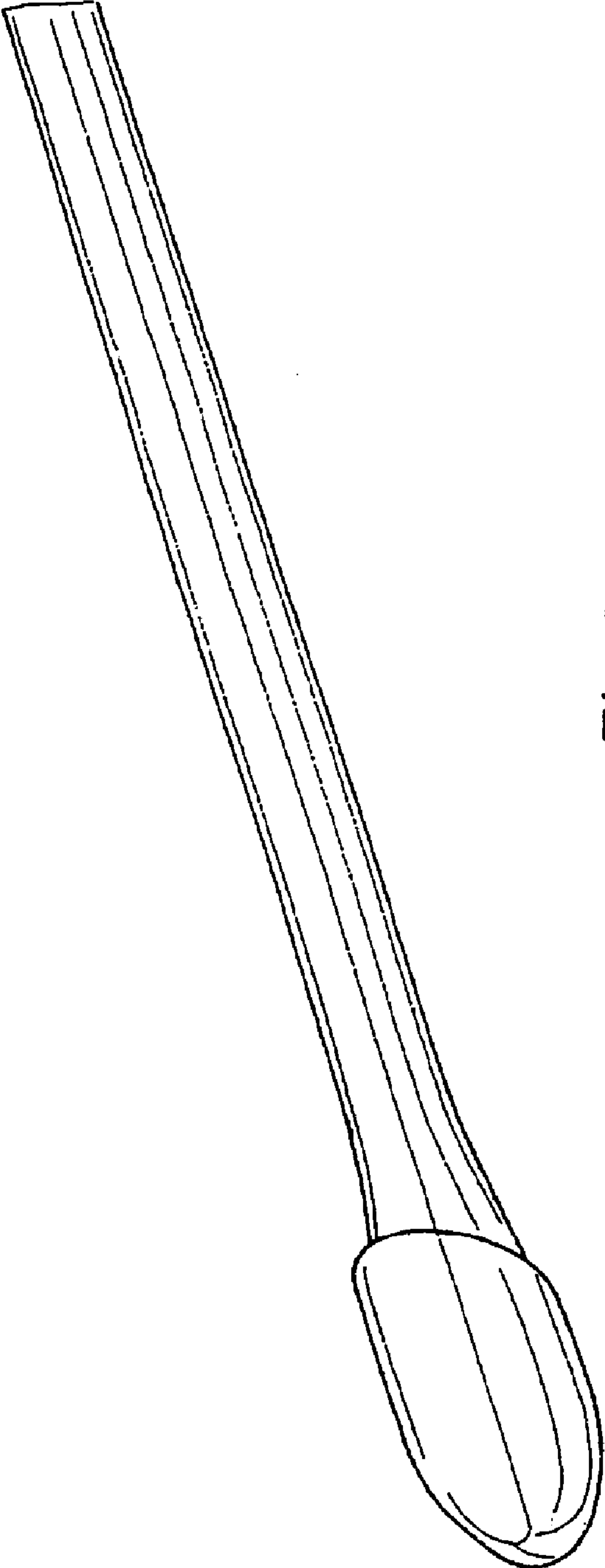


Fig. 9

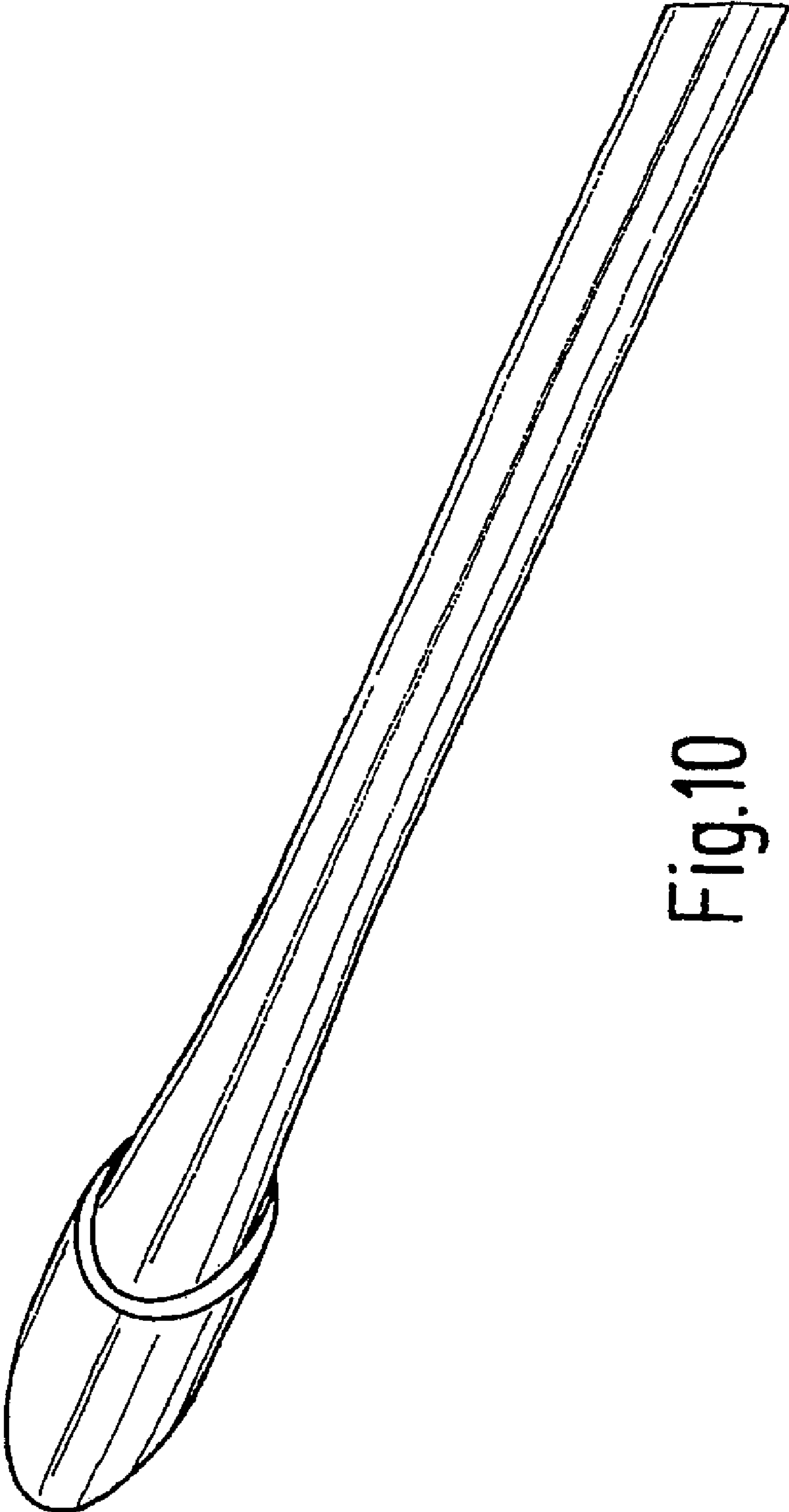


Fig.10

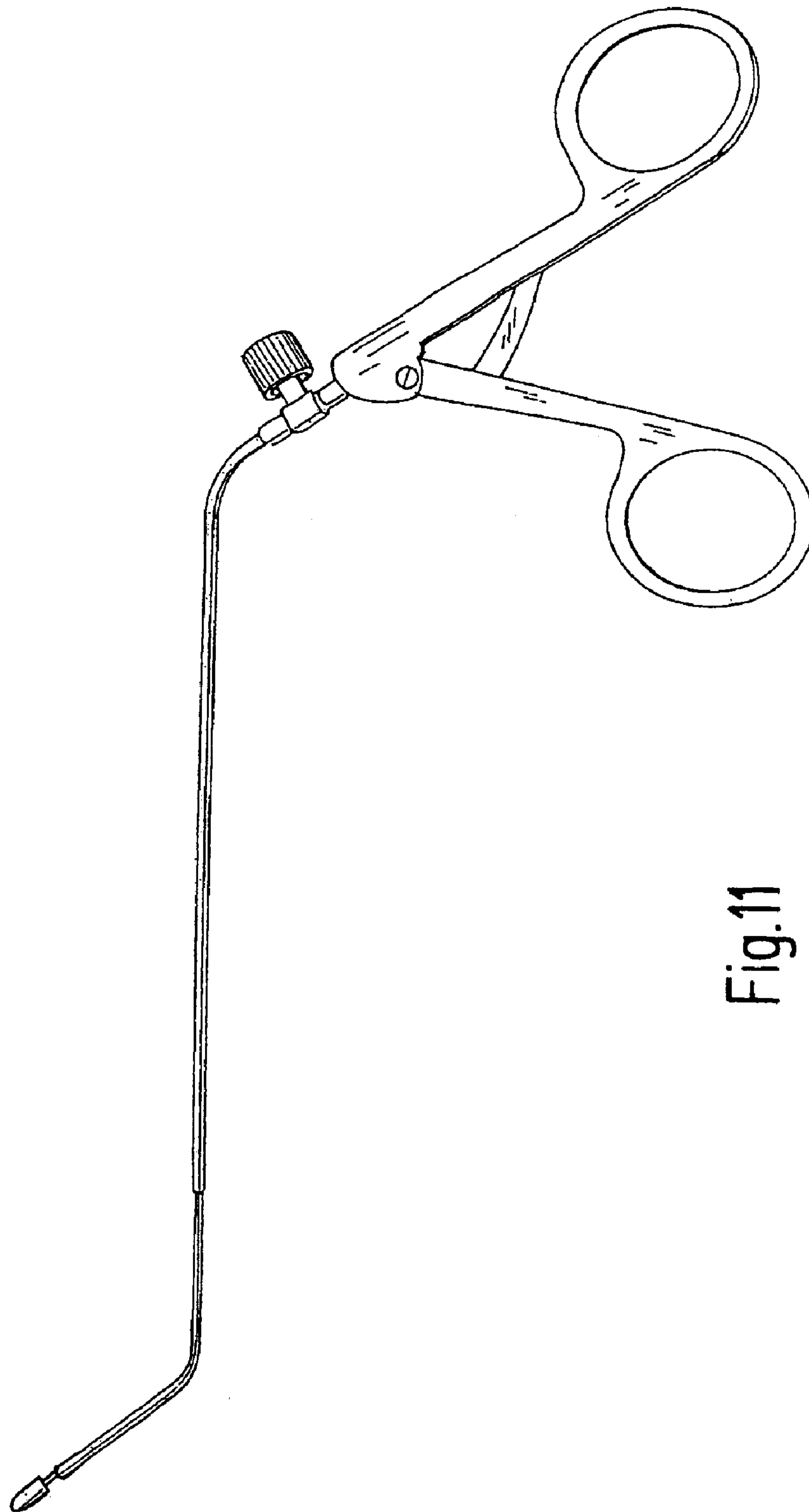


Fig.11

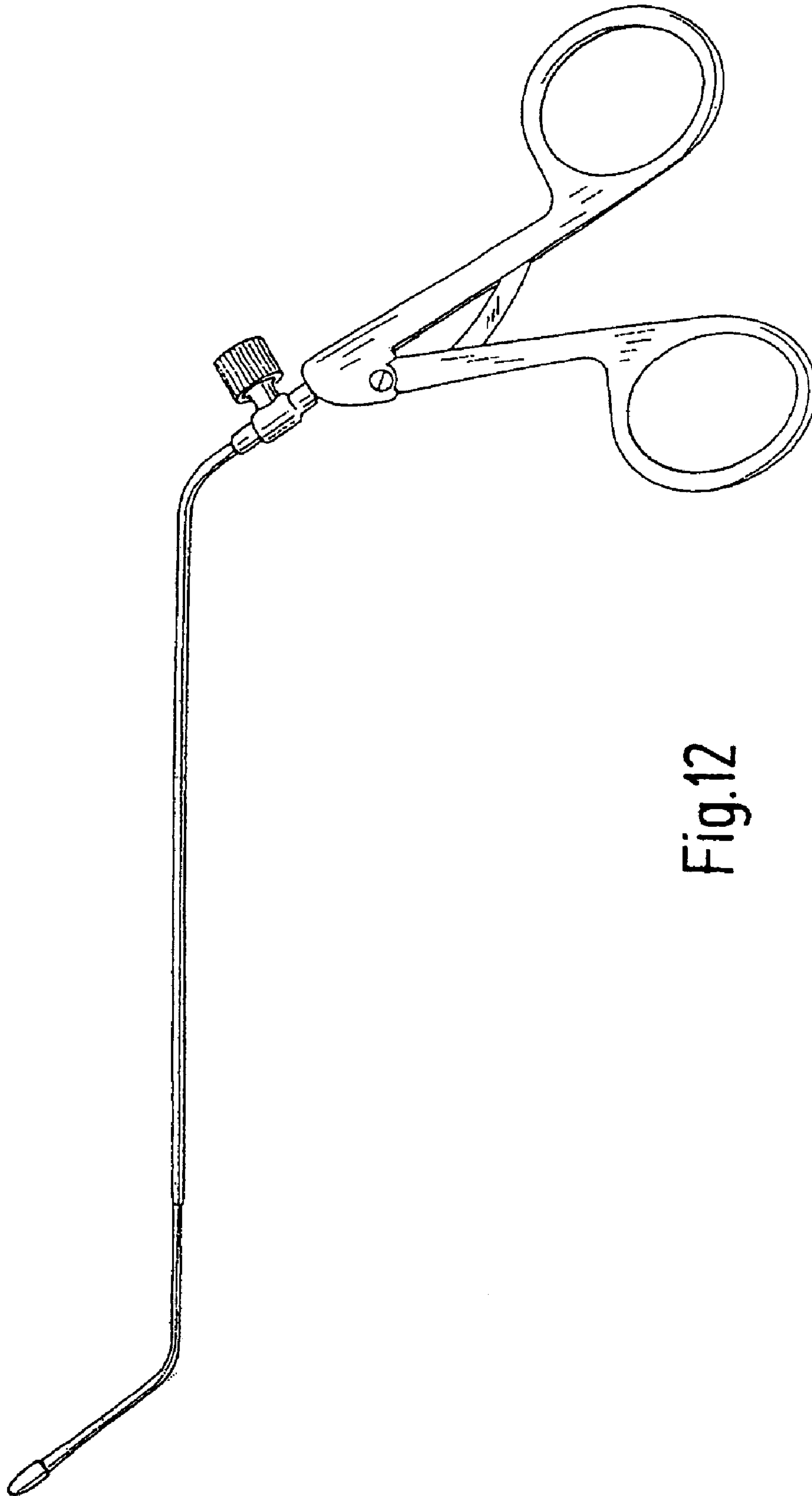


Fig.12

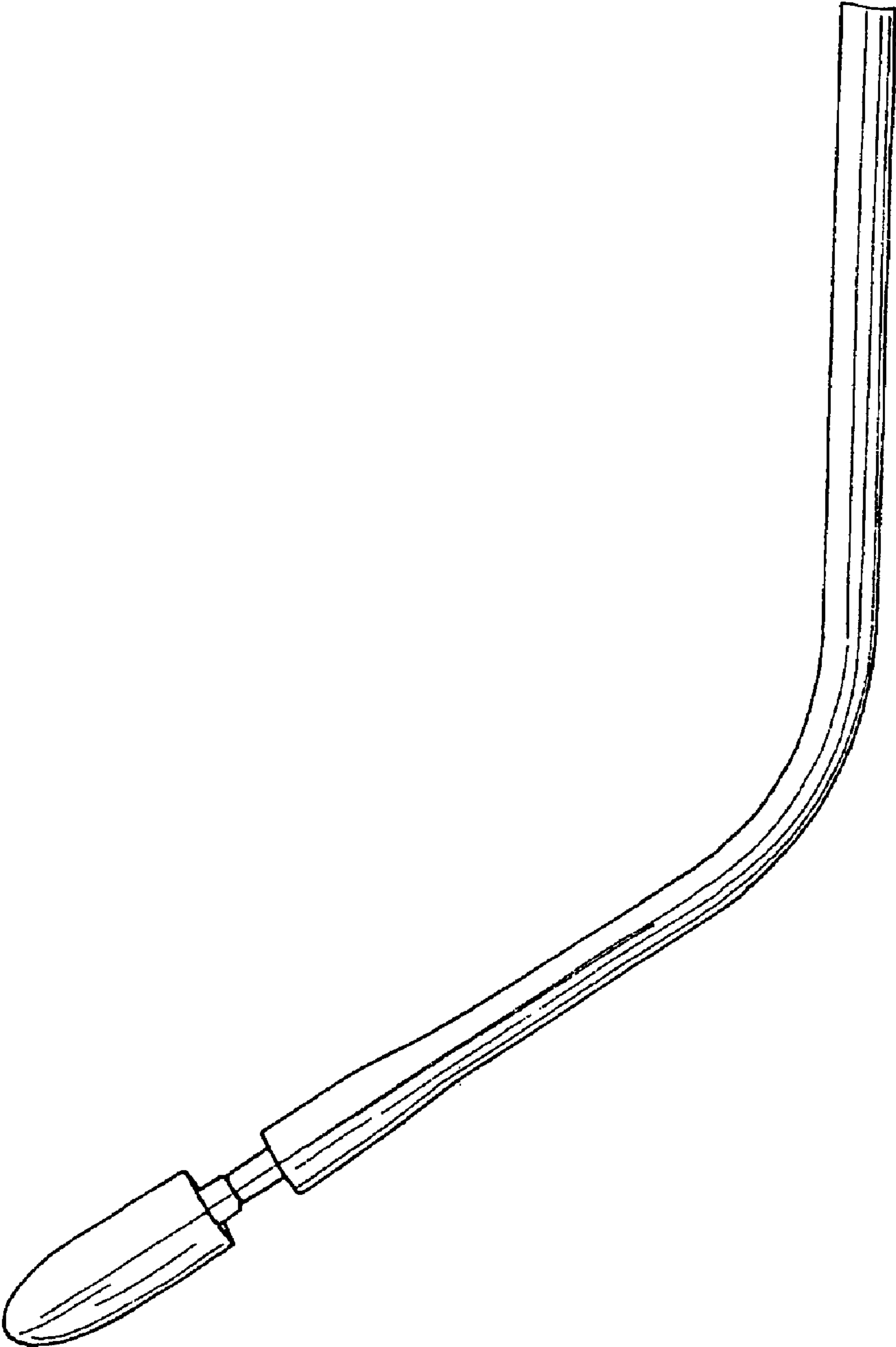


Fig.13

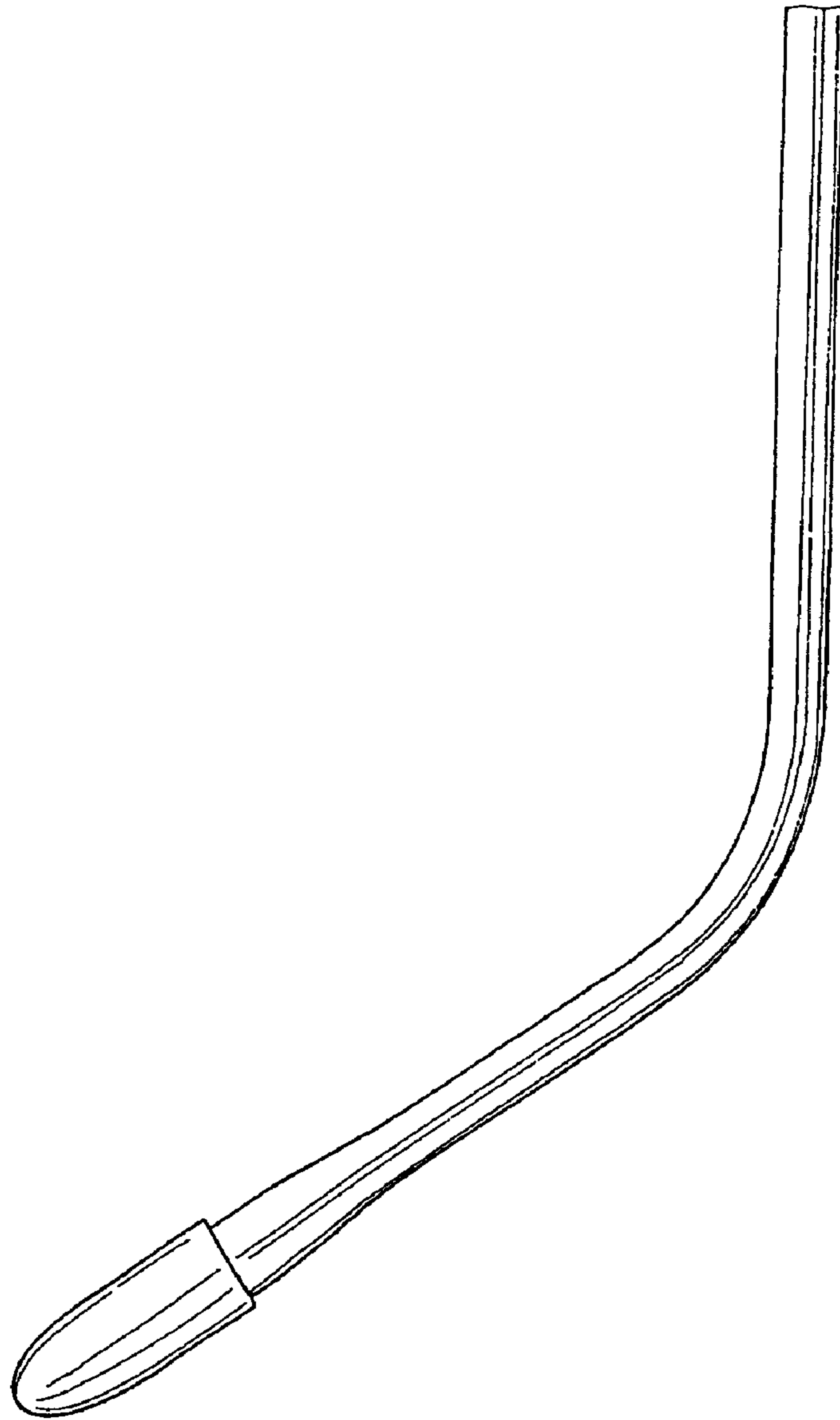


Fig.14