



US00D535397S

(12) **United States Design Patent**
Chen

(10) **Patent No.:** **US D535,397 S**

(45) **Date of Patent:** **** Jan. 16, 2007**

(54) **PORTABLE SKIN CARE IMPLEMENT AND CHARGER**

FOREIGN PATENT DOCUMENTS

WO DM/063496 * 6/2002

(75) Inventor: **Sung-Tsei Chen**, City of Industry, CA (US)

* cited by examiner

(73) Assignee: **Markwins International Corporation**, City of Industry, CA (US)

Primary Examiner—Jeffrey Asch

Assistant Examiner—Bridget L. Eland

(**) Term: **14 Years**

(74) *Attorney, Agent, or Firm*—Danton K. Mak; Sheldon Mak Rose & Anderson PC

(21) Appl. No.: **29/204,242**

(57) **CLAIM**

(22) Filed: **Apr. 26, 2004**

The ornamental design for the portable skin care implement and charger, as shown and described.

(51) **LOC (8) Cl.** **28-03**

DESCRIPTION

(52) **U.S. Cl.** **D24/146; D24/214**

(58) **Field of Classification Search** D24/146,

D24/147, 148, 133; D4/137; 606/9, 131,

606/132; D28/56–59, 206; D13/107

See application file for complete search history.

FIG. 1 is a perspective view of the portable skin care implement and charger of the subject invention, showing the implement placed on the charger unit;

FIG. 2 is a top view of the portable skin care implement and charger of FIG. 1;

FIG. 3 is a right side view of the portable skin care implement and charger of FIG. 1;

FIG. 4 is a bottom view of the portable skin care implement and charger of FIG. 1;

FIG. 5 is a left side view of the portable skin care implement and charger of FIG. 1;

FIG. 6 is a front end view of the portable skin care implement and charger of FIG. 1;

FIG. 7 is a rear end view of the portable skin care implement and charger of FIG. 1; and,

FIG. 8 is a perspective view of the charger unit being shown separately to illustrate features hidden when the portable skin care implement is in place thereon.

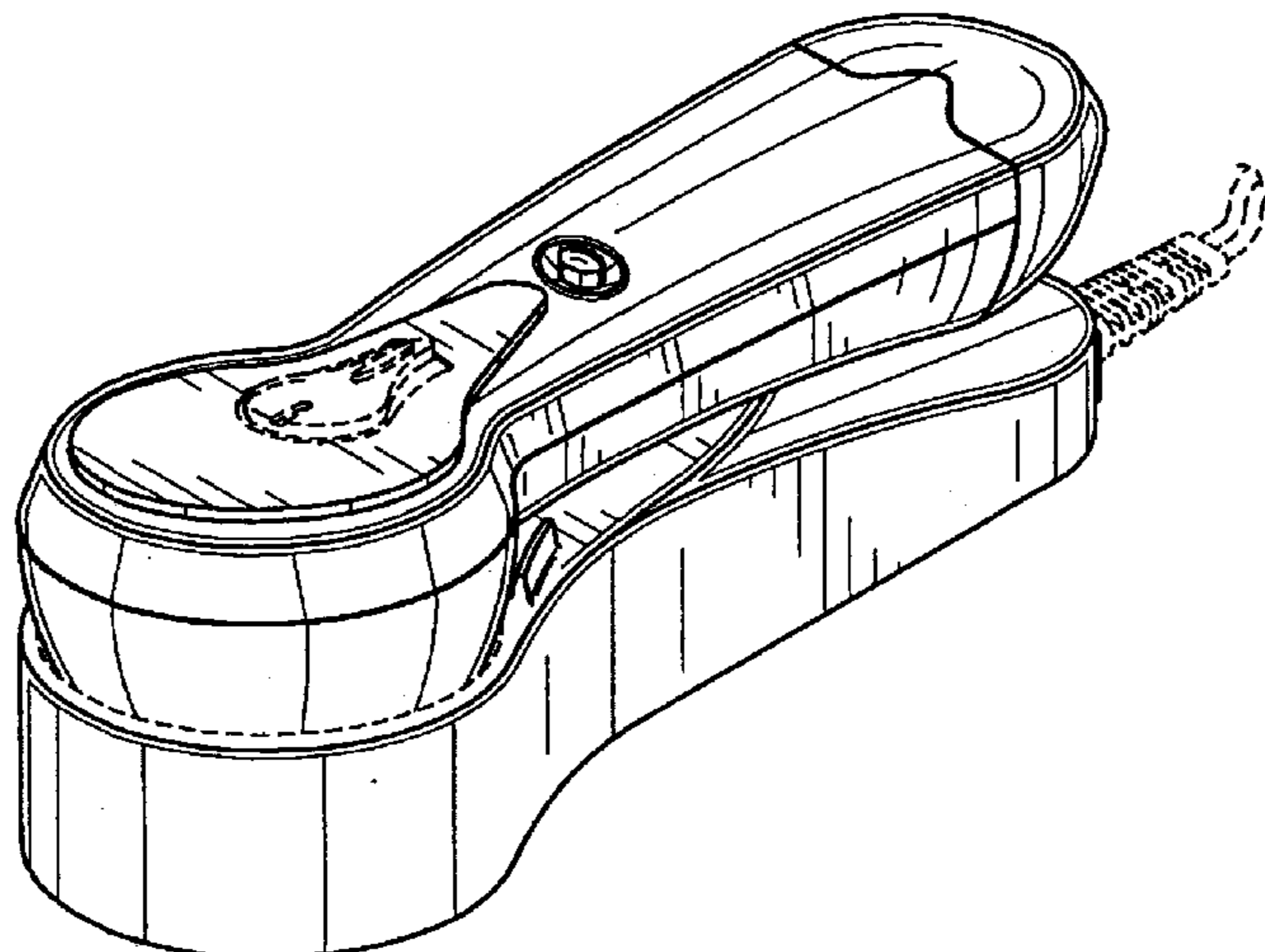
Details shown in broken lines (e.g., the power cord to the charger) are for illustrative purposes only, and form no part of the claimed design.

(56) **References Cited**

U.S. PATENT DOCUMENTS

D269,377 S	*	6/1983	Mackay et al.	D24/214
D286,924 S	*	11/1986	Muller	D28/13
D290,088 S	*	6/1987	Koeck	D3/200
D290,221 S	*	6/1987	Wilson et al.	D8/71
D351,236 S	*	10/1994	Held	D24/215
5,551,949 A	*	9/1996	Kim	601/15
D410,225 S	*	5/1999	Yu	D13/107
D439,657 S	*	3/2001	Bridle	D24/113
6,312,397 B1	*	11/2001	Gebhard	601/15
D482,819 S	*	11/2003	Enriquez	D28/13
6,790,205 B1	*	9/2004	Yamazaki et al.	606/9
D500,168 S	*	12/2004	Ho	D28/44
D500,854 S	*	1/2005	Eichel	D24/146
6,907,678 B1	*	6/2005	Cruz	34/97
6,911,010 B1	*	6/2005	Dirks et al.	601/15

1 Claim, 3 Drawing Sheets



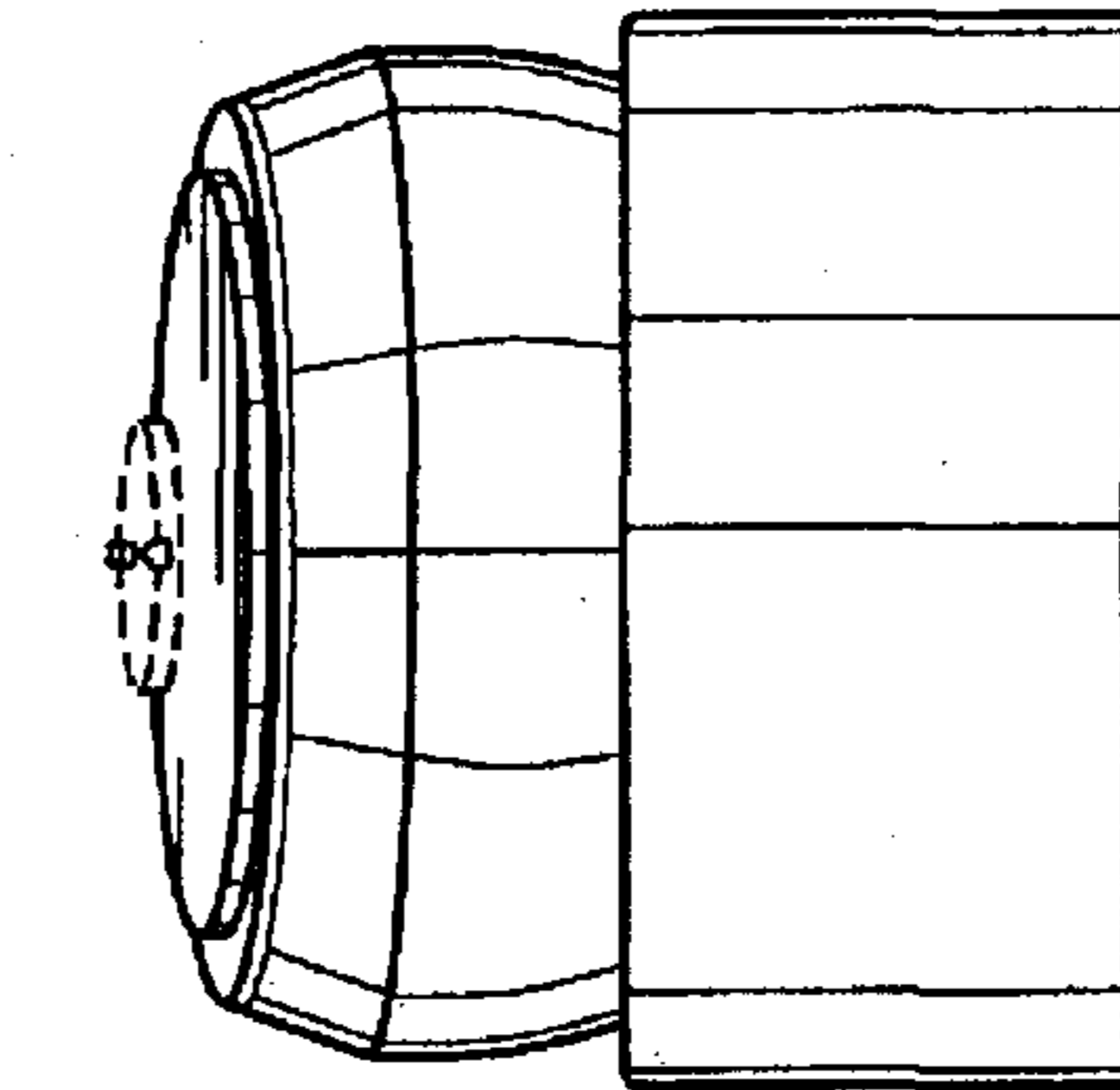
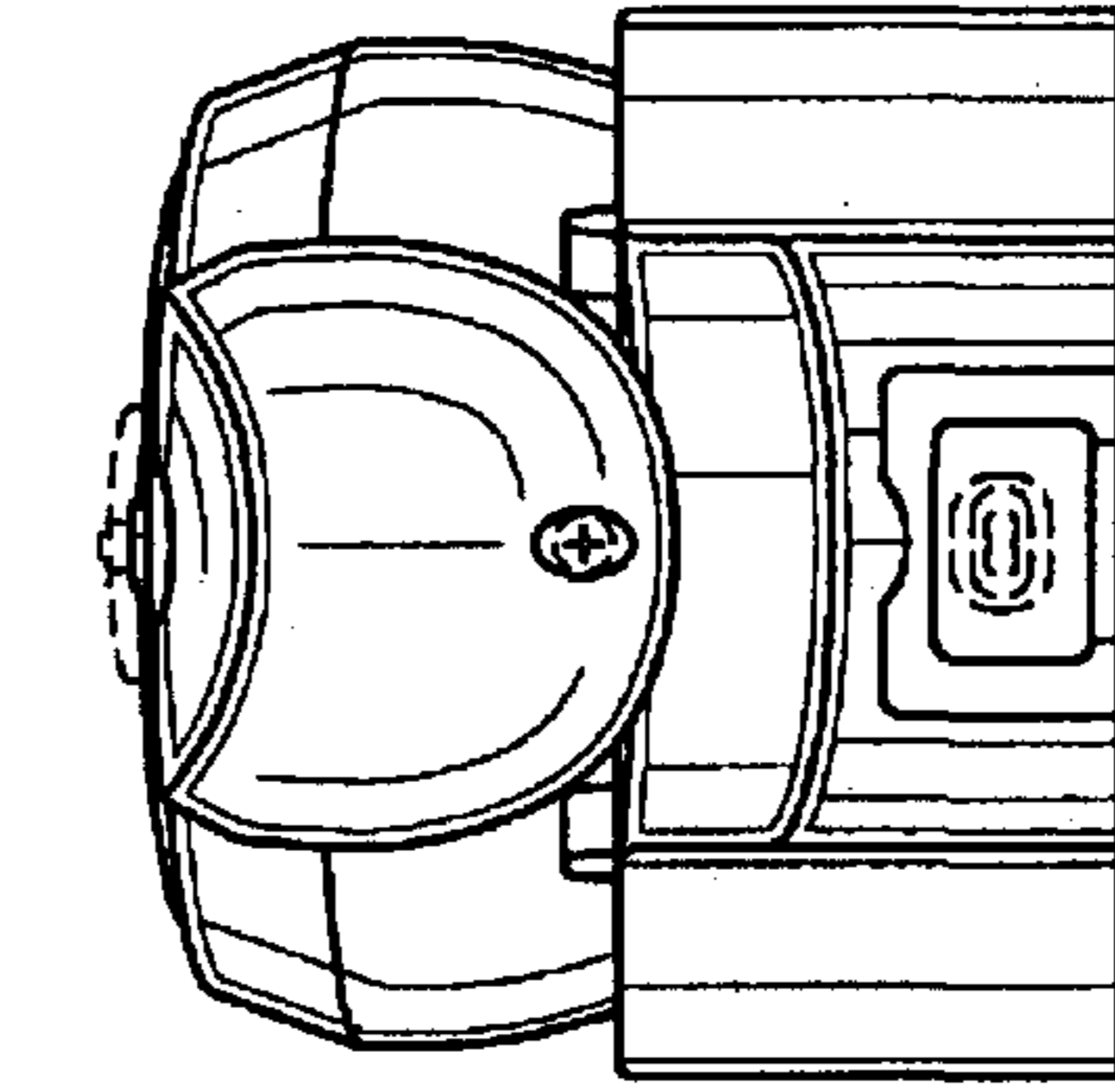
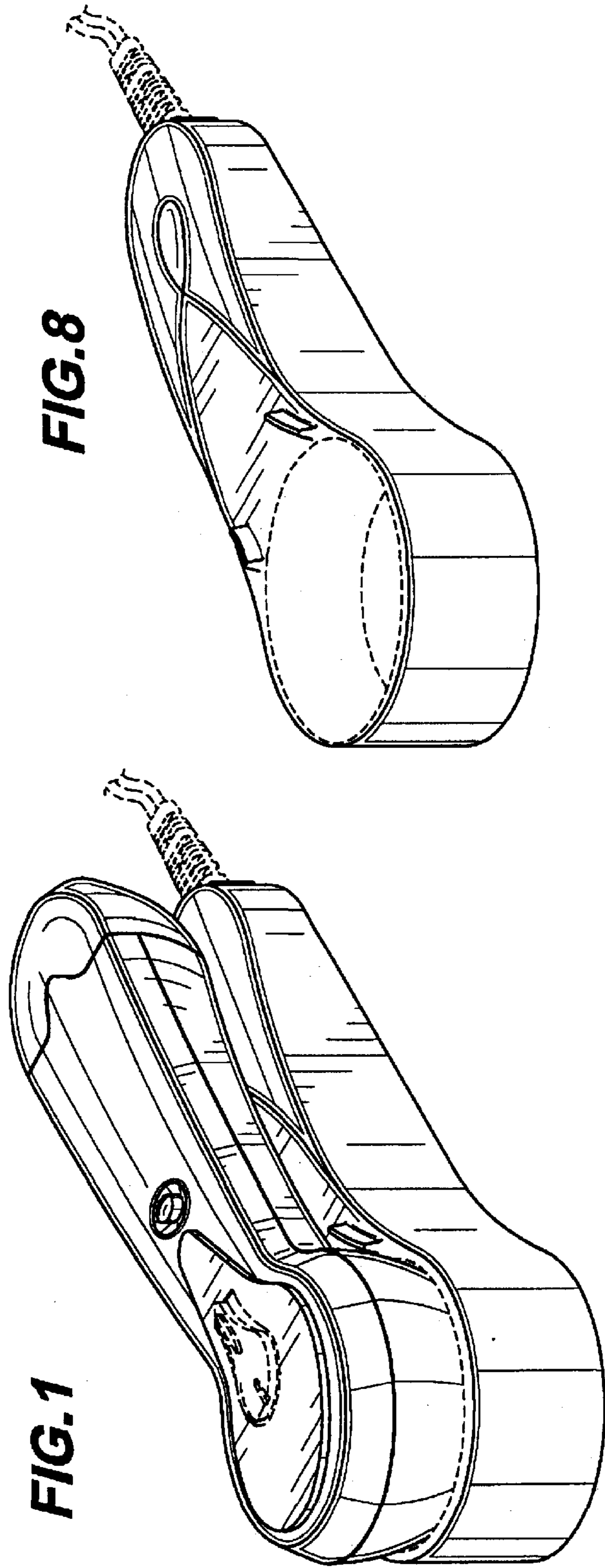


FIG. 8

FIG. 7

FIG. 6

FIG. 1

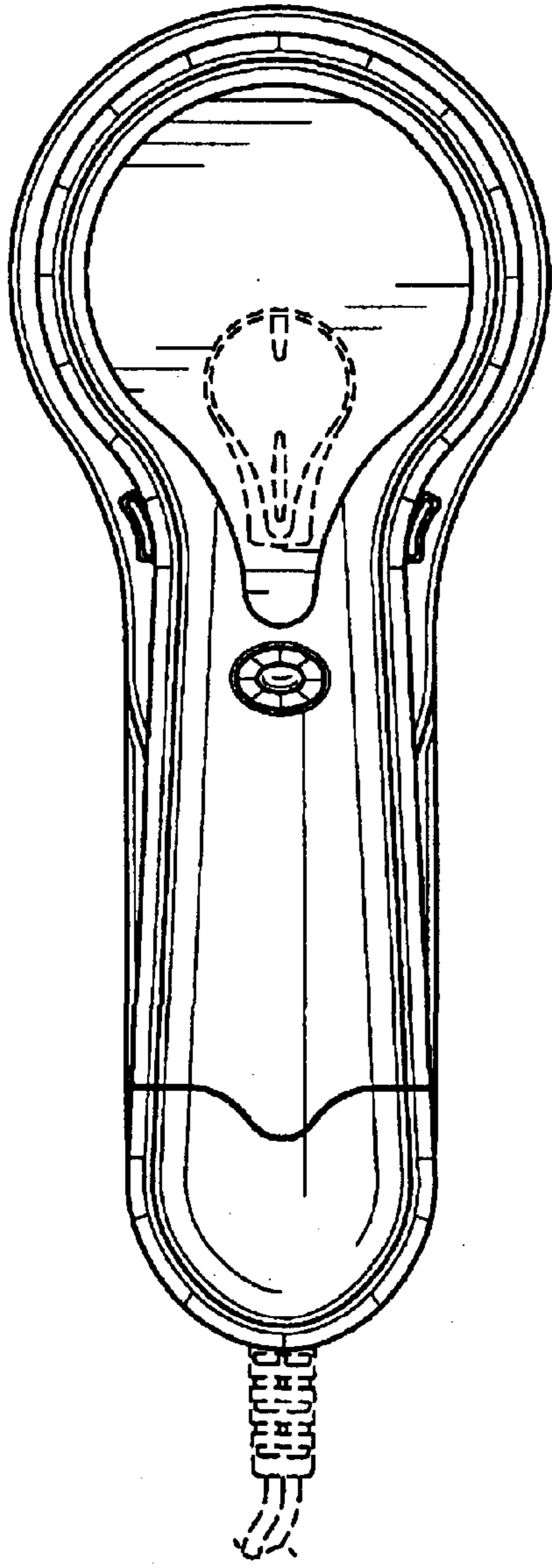


FIG. 2

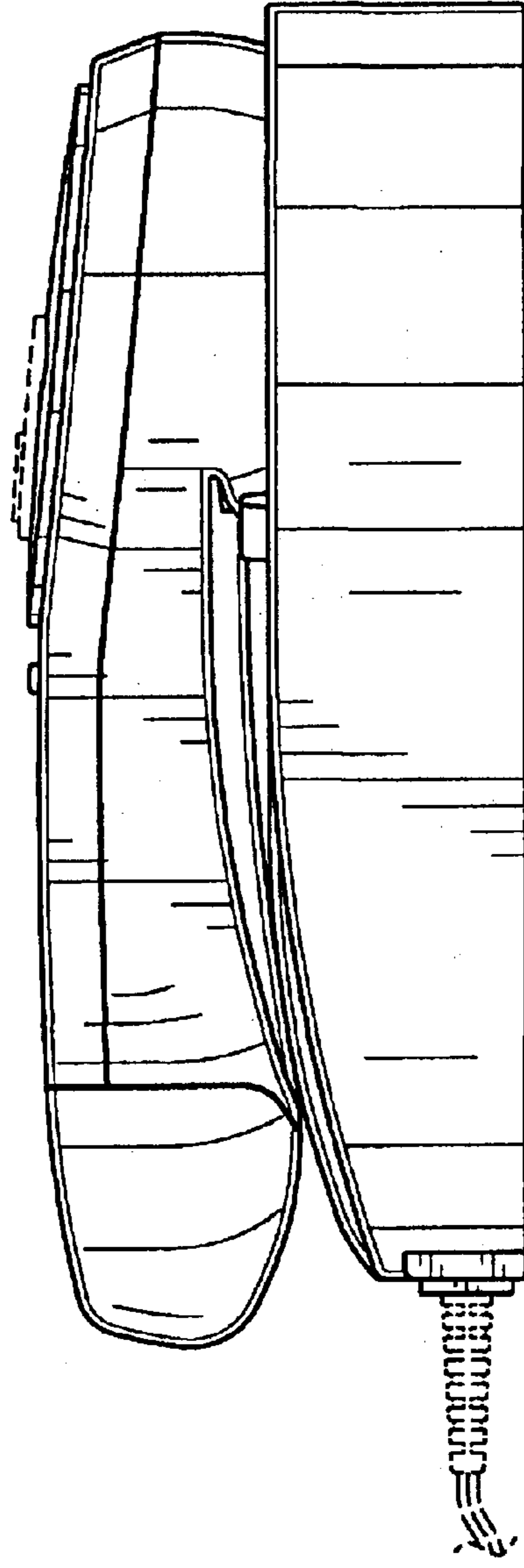


FIG. 3

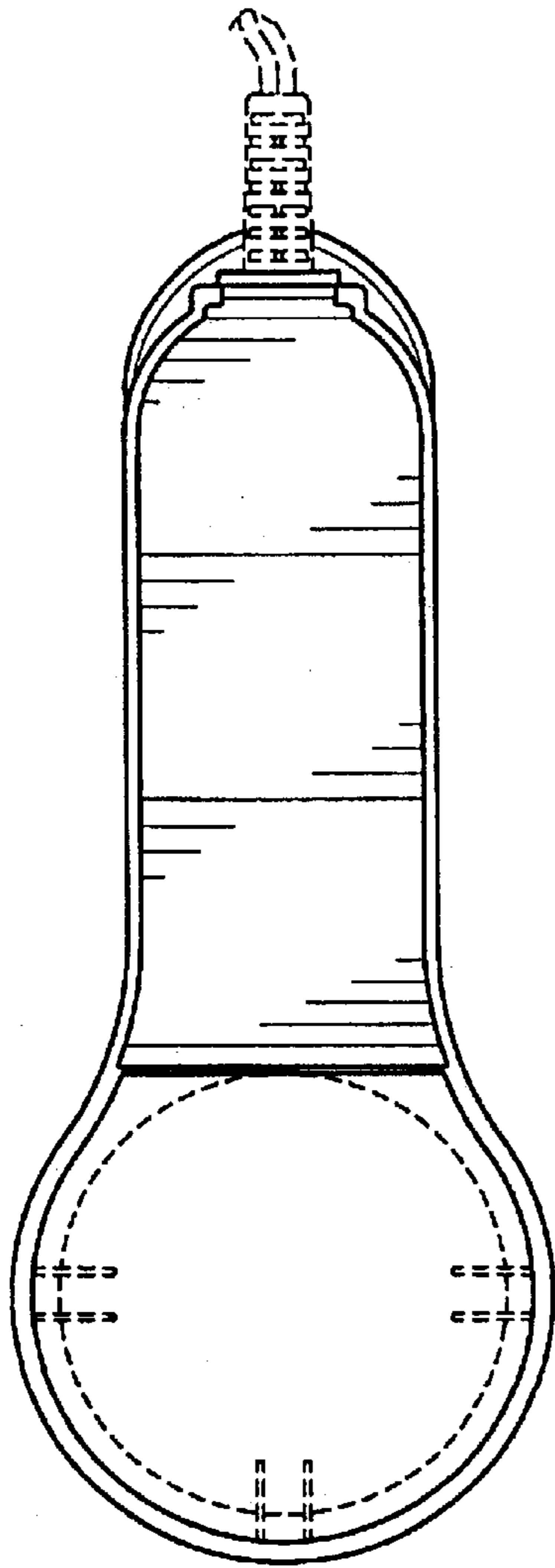


FIG. 4

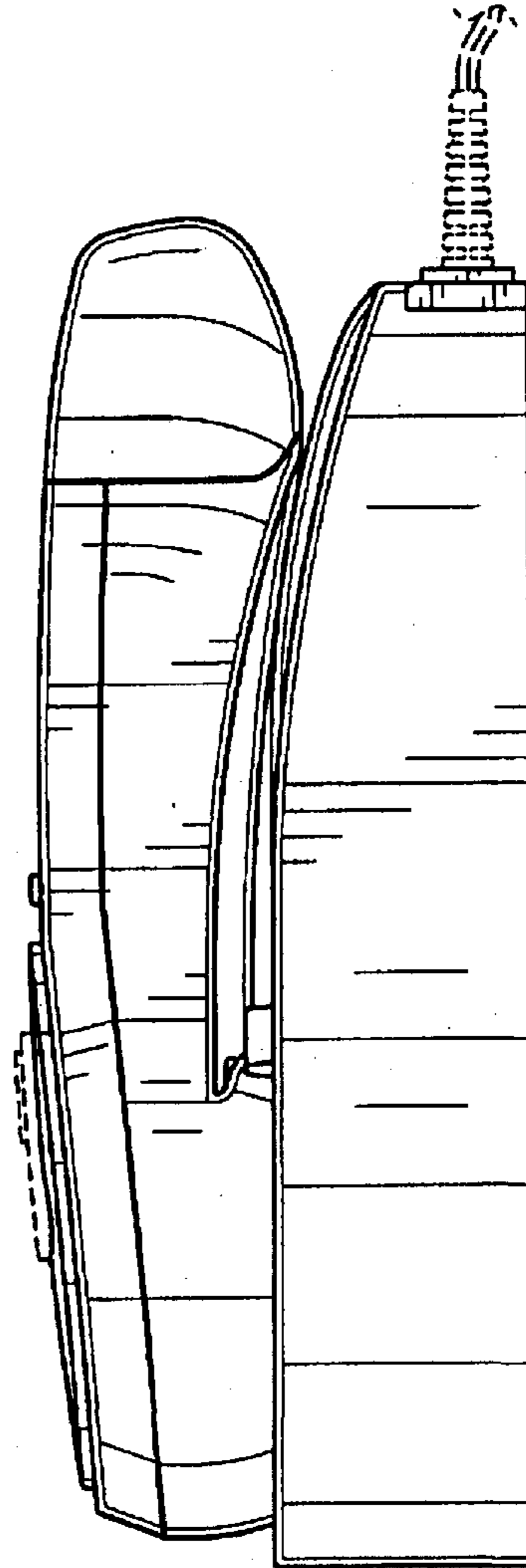


FIG. 5