



US00D535393S

(12) **United States Design Patent**
Pilvisto et al.

(10) **Patent No.:** **US D535,393 S**
(45) **Date of Patent:** **** Jan. 16, 2007**

(54) **VIDEO-BRONCHOSCOPE**

(75) Inventors: **Toenis Pilvisto**, Tallinn (EE); **Viktor Josef Wimmer**, Seon (DE)

(73) Assignee: **Karl Storz GmbH & Co. KG** (DE)

(**) Term: **14 Years**

(21) Appl. No.: **29/238,056**

(22) Filed: **Sep. 9, 2005**

(30) **Foreign Application Priority Data**

Mar. 9, 2005 (EM) 000307293

(51) **LOC (8) Cl.** **24-02**

(52) **U.S. Cl.** **D24/138; D16/202; D16/219**

(58) **Field of Classification Search** D24/138,
D24/137; D16/202, 208, 219, 237; 600/156,
600/158, 160, 110, 131, 132, 154; 348/45,
348/75

See application file for complete search history.

(56) **References Cited**

U.S. PATENT DOCUMENTS

3,830,225 A 8/1974 Shinnick 128/2

D481,124 S * 10/2003 Hayamizu D24/138

2005/0027165 A1 2/2005 Rovengo 600/154

* cited by examiner

Primary Examiner—Ian Simmons

Assistant Examiner—Christopher Lee

(74) *Attorney, Agent, or Firm*—St. Onge Steward Johnston & Reens LLC

(57) **CLAIM**

The ornamental design for a video-bronchoscope, as shown and described.

DESCRIPTION

FIG. 1 is a front perspective view of a video-bronchoscope in accordance with the new design in environment;

FIG. 2 is a perspective of the video-bronchoscope of FIG. 1

FIG. 3 is a side view of the video-bronchoscope of FIG. 1;

FIG. 4 is a top view of the video-bronchoscope of FIG. 1;

FIG. 5 is a side view of the video-bronchoscope of FIG. 1;

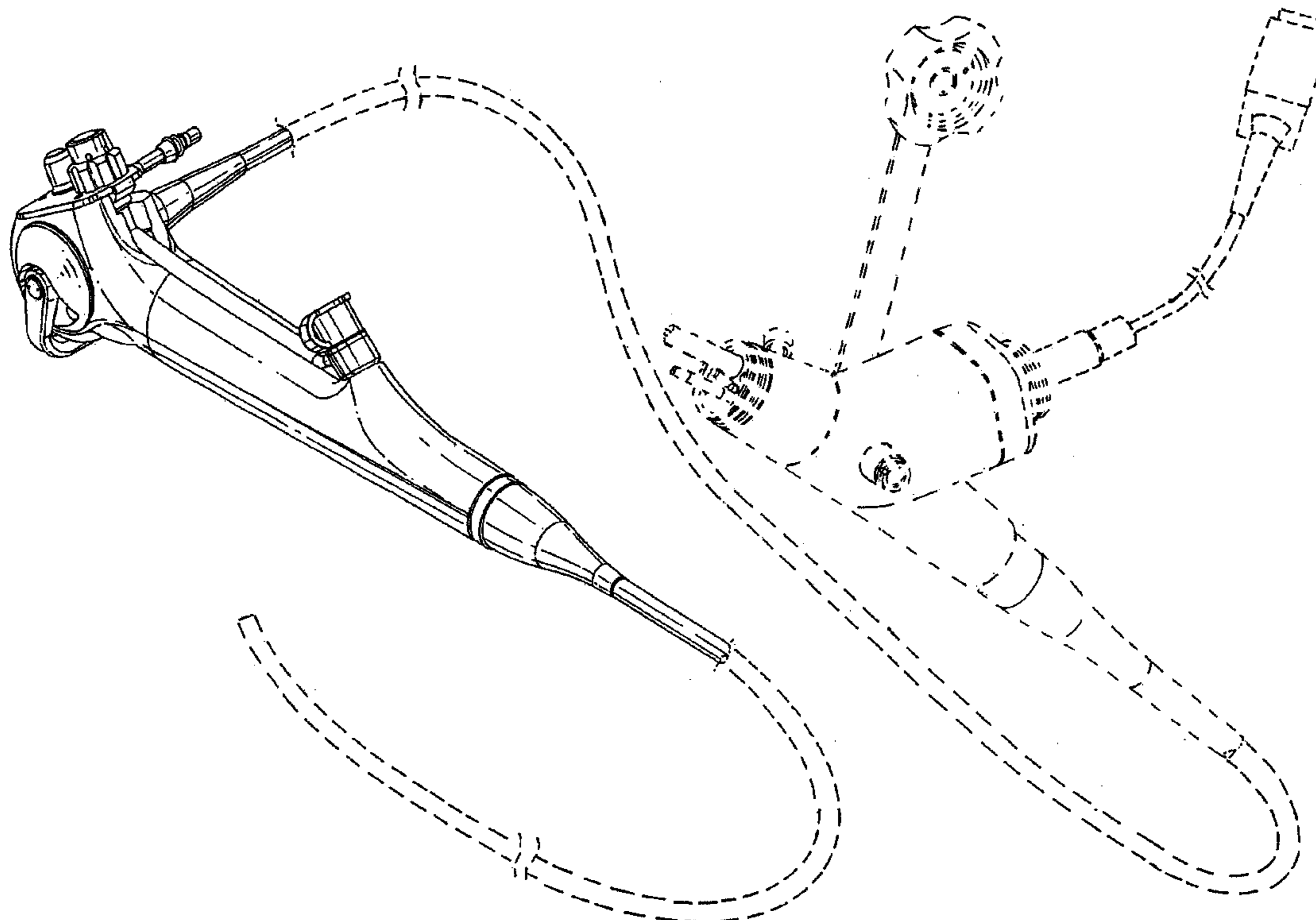
FIG. 6 is a bottom view of the video-bronchoscope of FIG. 1;

FIG. 7 is a front end view of the video-bronchoscope of FIG. 1;

FIG. 8 is rear end view of the video-bronchoscope of FIG. 1.

The broken line showing is for illustrative purposes only and forms no part of the claimed design.

1 Claim, 5 Drawing Sheets



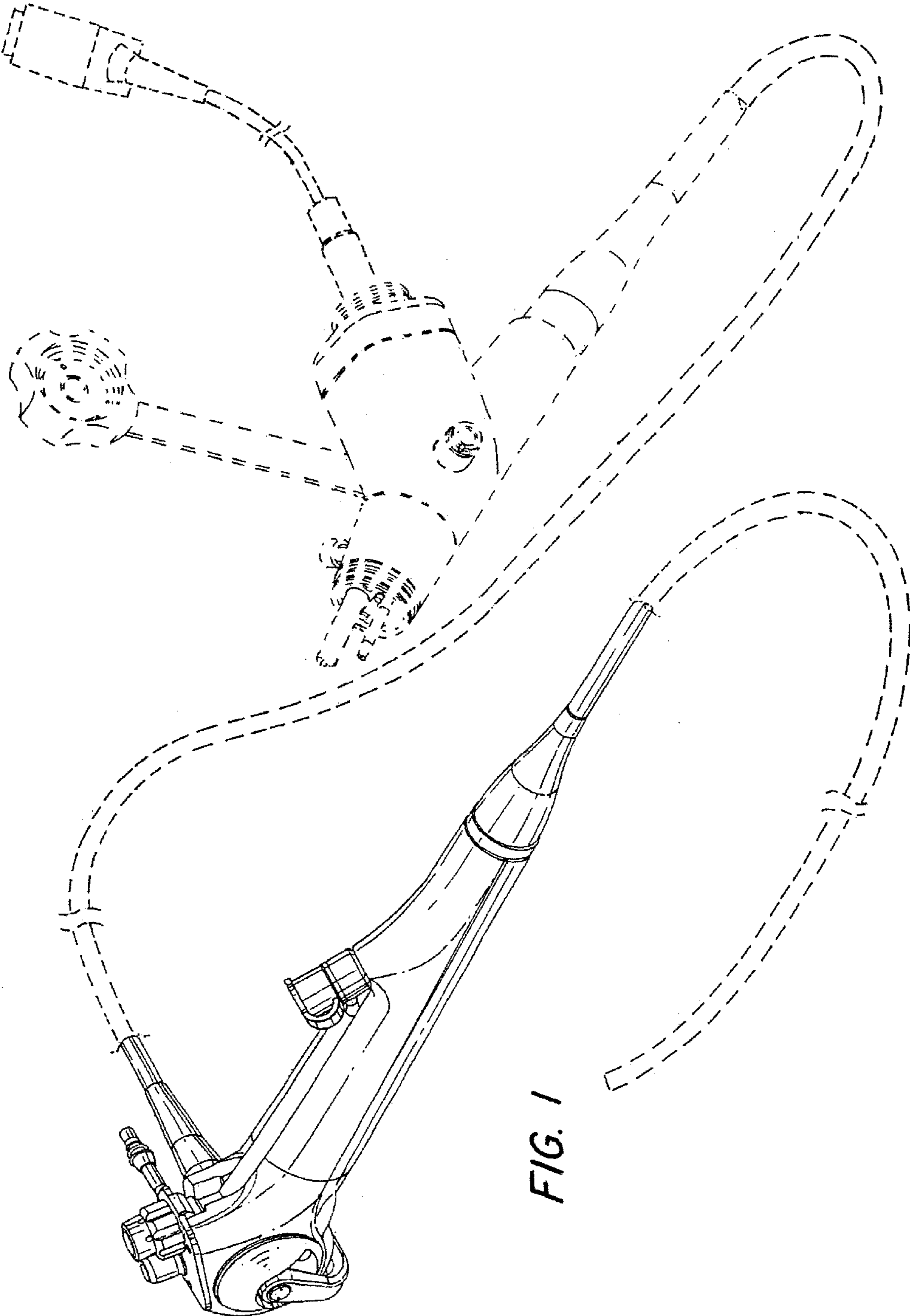


FIG. 1

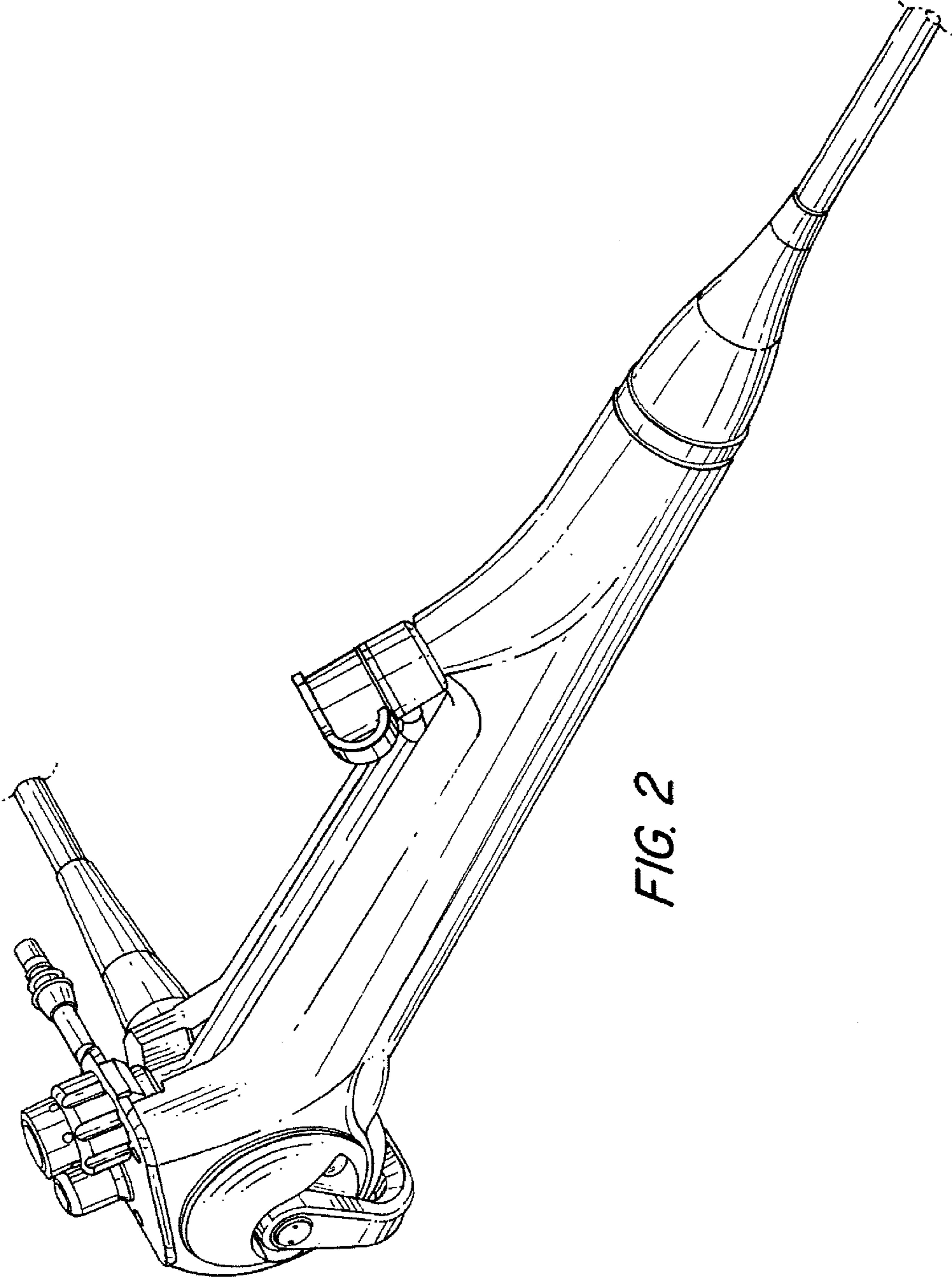


FIG. 2

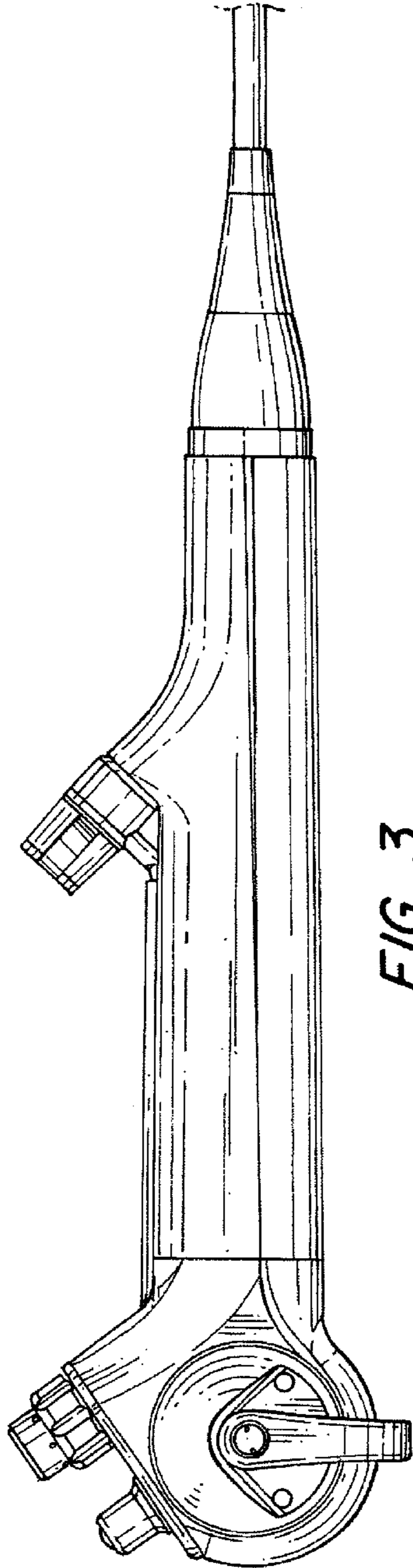


FIG. 3

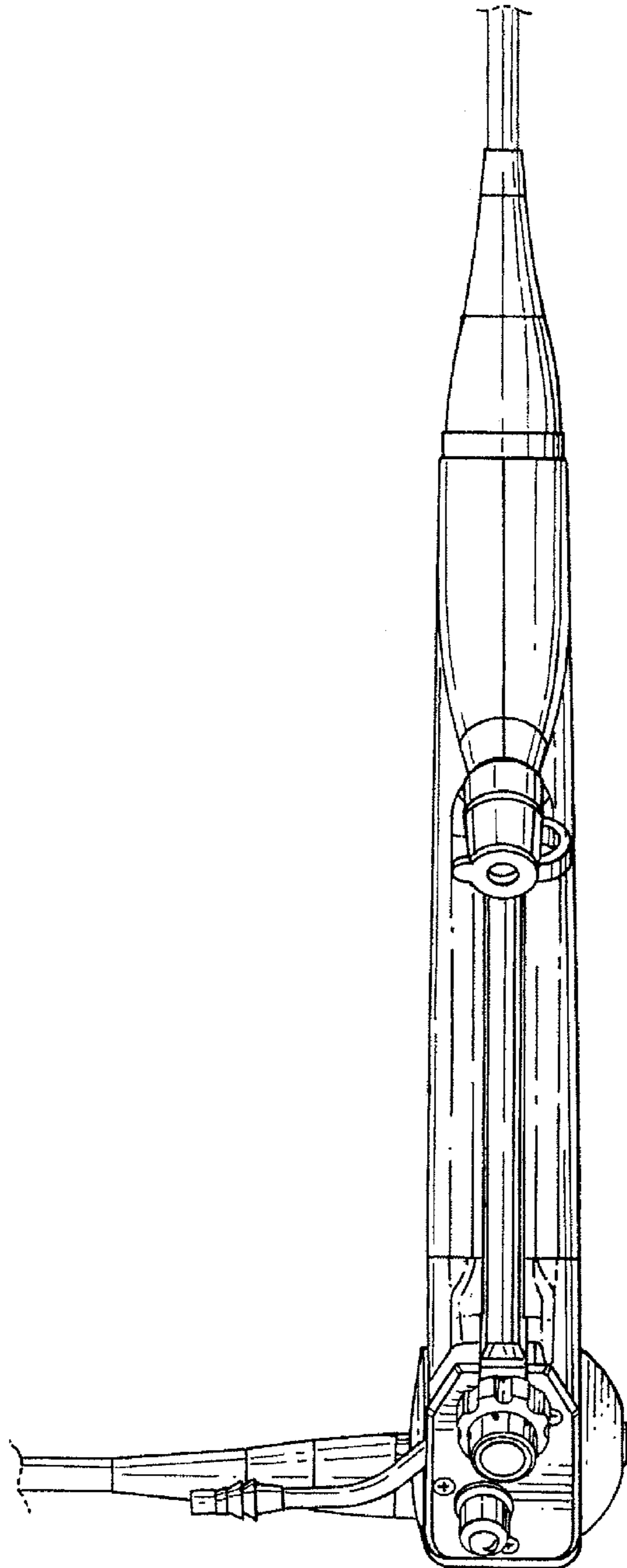


FIG. 4

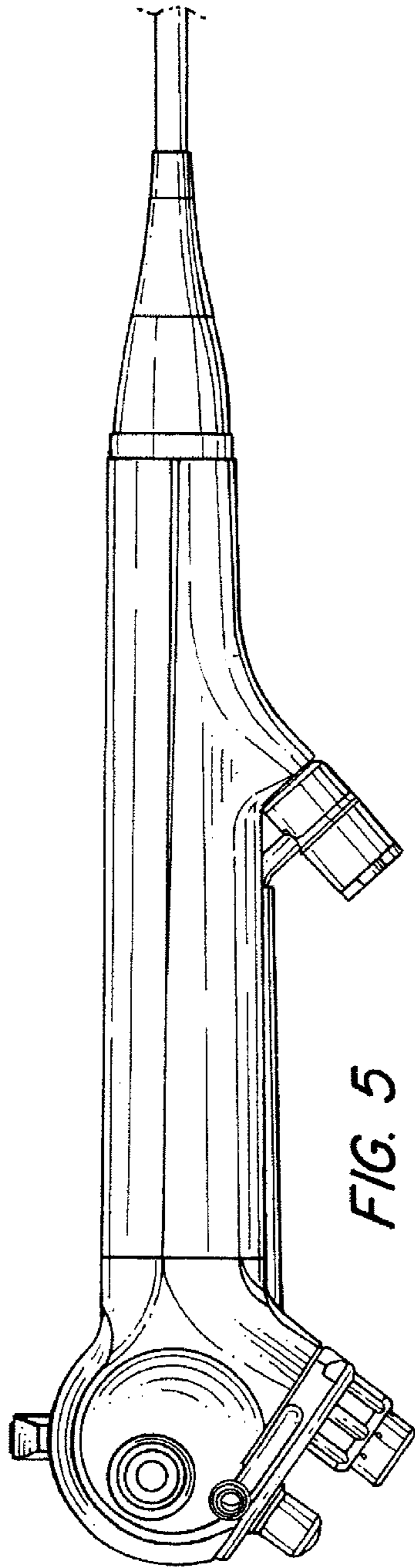


FIG. 5

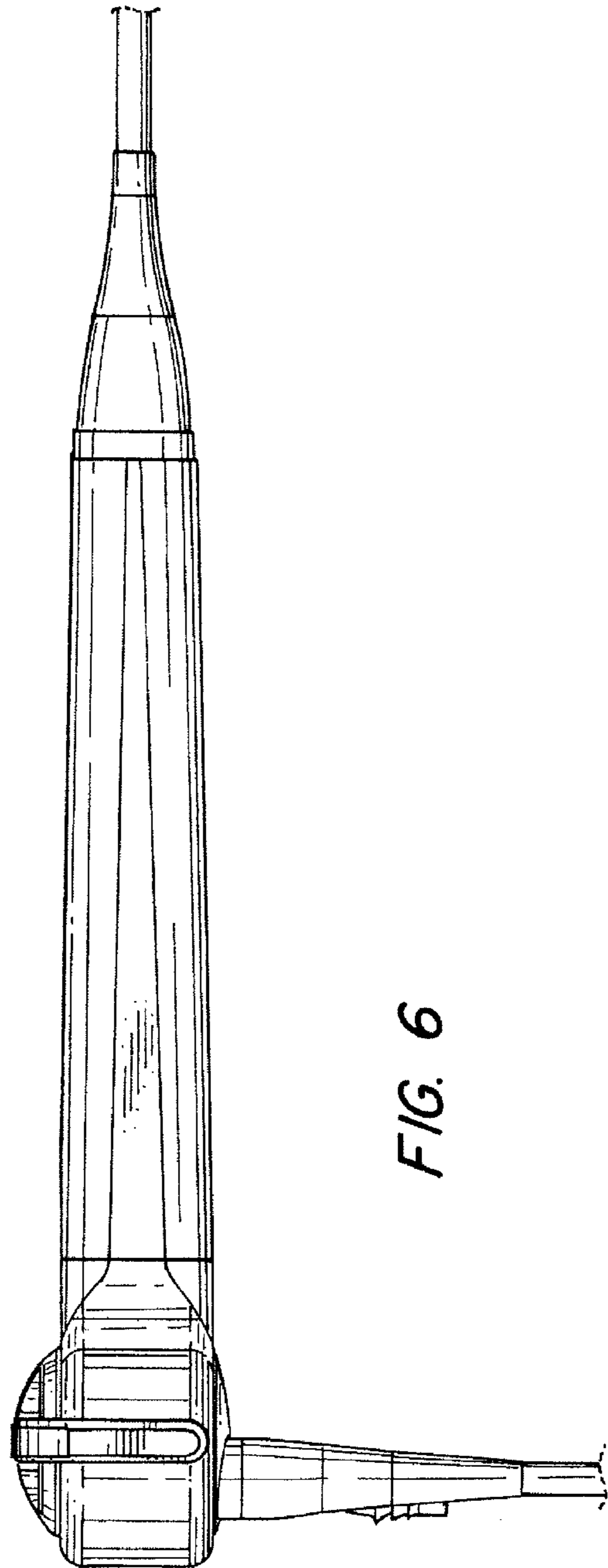


FIG. 6

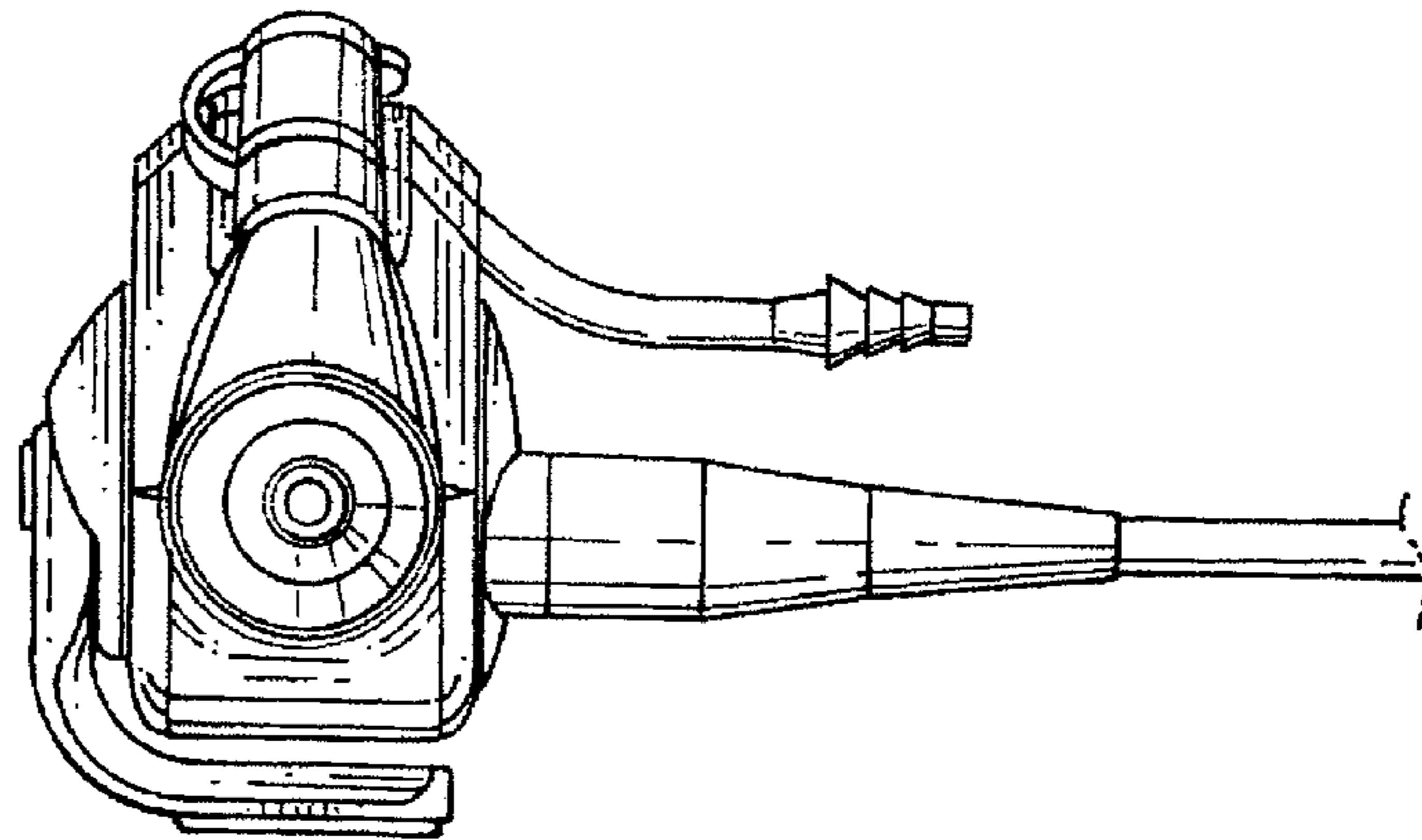


FIG. 7

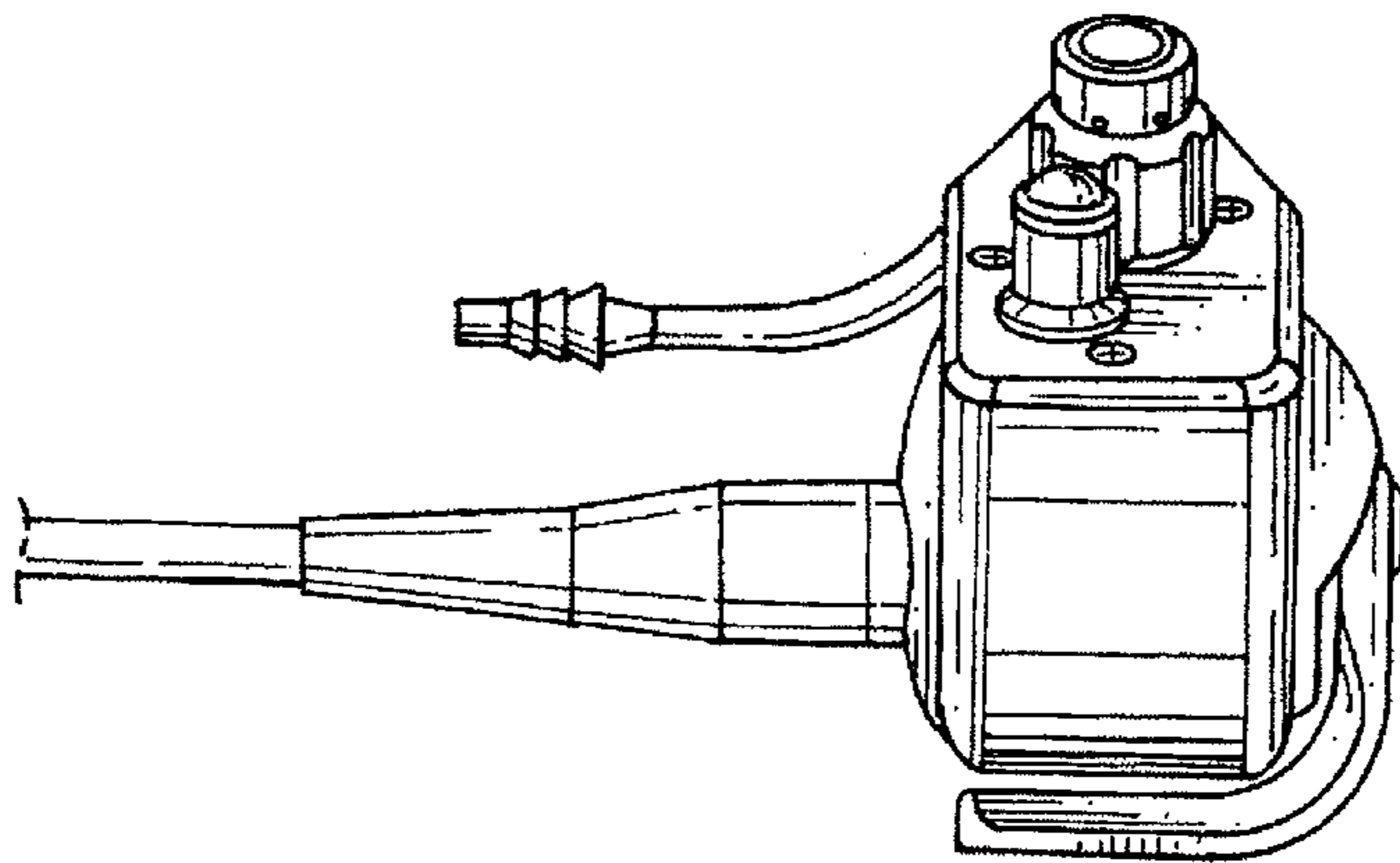


FIG. 8