



US00D535391S

(12) **United States Design Patent**  
**Stawski et al.**

(10) **Patent No.:** **US D535,391 S**

(45) **Date of Patent:** **\*\* Jan. 16, 2007**

(54) **TRAPEZOIDAL TABLET**

(75) Inventors: **Barbara Z. Stawski**, Forest Park, IL (US); **Thomas M. Mindak**, Itasca, IL (US); **Ingo C. Theurer**, München (DE); **Philip Mark Soukup**, Freiburg (DE); **Stefan Johannes Brehm**, Kolbermoor (DE)

(73) Assignee: **Wm. Wrigley Jr. Company**, Chicago, IL (US)

(\*\*) Term: **14 Years**

(21) Appl. No.: **29/228,467**

(22) Filed: **Apr. 22, 2005**

(51) **LOC (8) Cl.** ..... **28-01**

(52) **U.S. Cl.** ..... **D24/103**

(58) **Field of Classification Search** ..... D24/100–104; D28/4, 8.1, 8.2; D1/100, 121, 125; 424/464–482  
See application file for complete search history.

(56) **References Cited**

**U.S. PATENT DOCUMENTS**

|           |   |   |         |             |       |         |
|-----------|---|---|---------|-------------|-------|---------|
| 462,990   | A | * | 11/1891 | Oppenheimer | ..... | 424/451 |
| D31,439   | S | * | 8/1899  | Bosson      | ..... | D8/16   |
| 1,855,145 | A | * | 4/1932  | Bartlett    | ..... | 426/87  |
| D147,438  | S | * | 9/1947  | Frederics   | ..... | D28/8.1 |
| D154,766  | S | * | 8/1949  | Gerhart     | ..... | D28/8.1 |
| 2,613,185 | A | * | 10/1952 | Marshall    | ..... | D28/8.1 |
| D252,054  | S | * | 6/1979  | Carles      | ..... | D28/8.1 |
| D260,301  | S | * | 8/1981  | O'Connor    | ..... | D28/8.1 |
| D261,691  | S | * | 11/1981 | Abraham     | ..... | D28/8.1 |

|          |   |   |         |                 |       |         |
|----------|---|---|---------|-----------------|-------|---------|
| D285,259 | S | * | 8/1986  | Tovey           | ..... | D24/101 |
| D286,450 | S |   | 10/1986 | Tovey           |       |         |
| D302,337 | S |   | 7/1989  | Bresloff et al. |       |         |
| D432,641 | S |   | 10/2000 | Burrows         |       |         |
| D442,738 | S |   | 5/2001  | Friesenhahn     |       |         |
| D443,108 | S |   | 5/2001  | Friesenhahn     |       |         |
| D452,754 | S |   | 1/2002  | Neergaard       |       |         |
| D510,651 | S | * | 10/2005 | Ellis et al.    | ..... | D1/128  |

\* cited by examiner

*Primary Examiner*—Charles A. Rademaker

(74) *Attorney, Agent, or Firm*—Steven P. Shurtz; Brinks Hofer Gilson & Lione

(57) **CLAIM**

The ornamental design for a trapezoidal tablet, as shown and described.

**DESCRIPTION**

FIG. 1 is a top perspective view of a trapezoidal tablet showing our new design with portions shown in stippling to indicate color contrast;

FIG. 2 is a top plan view thereof;

FIG. 3 is a right side elevation thereof, the side opposite being a mirror image;

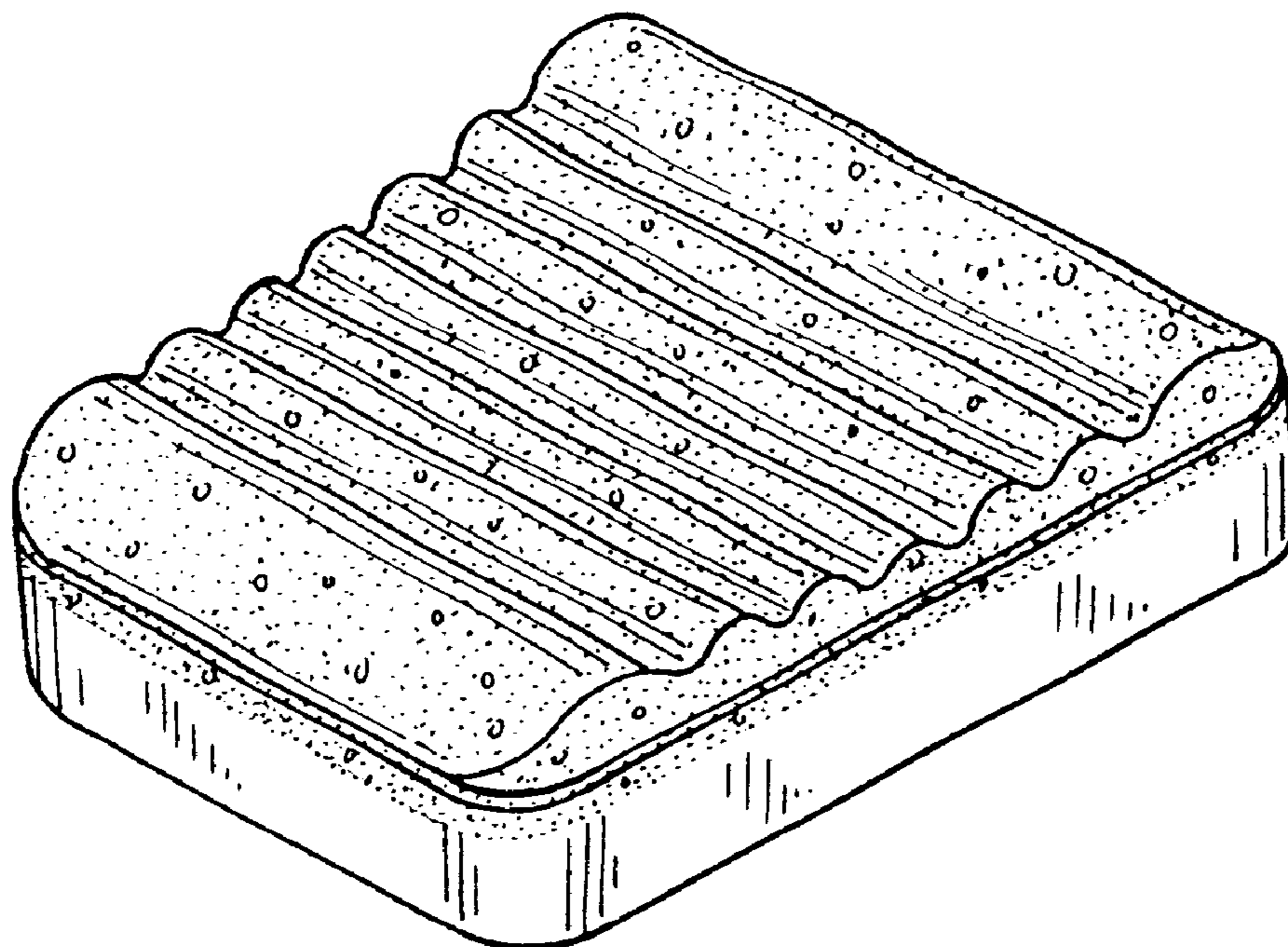
FIG. 4 is a front elevation thereof;

FIG. 5 is a rear elevation thereof;

FIG. 6 is a bottom plan view thereof; and,

FIG. 7 is a top perspective view of a modified embodiment of the design in FIGS. 1 through 6, the other views being identical thereto apart from stippling to indicate color contrast.

**1 Claim, 2 Drawing Sheets**



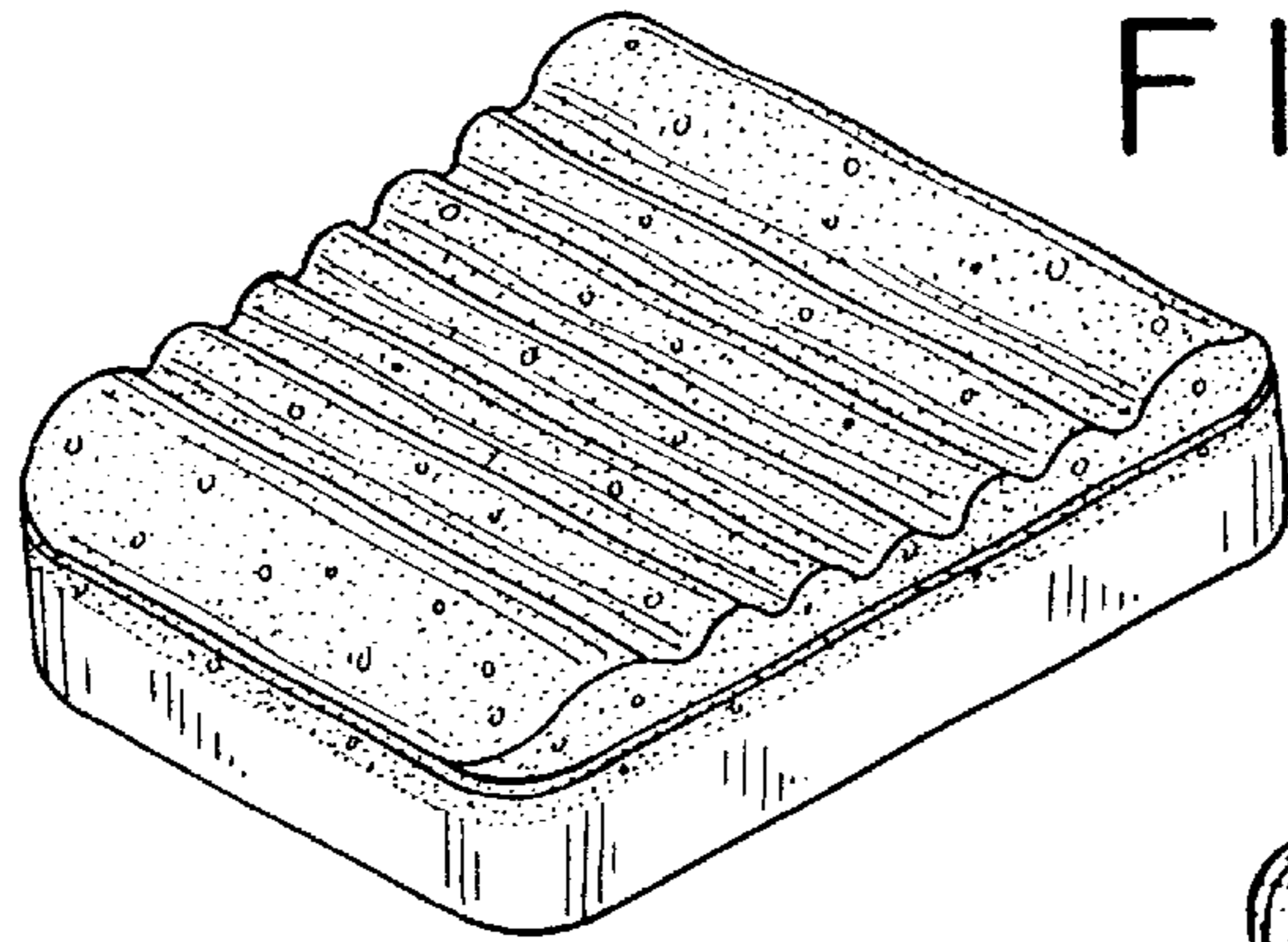


FIG. 1

FIG. 2

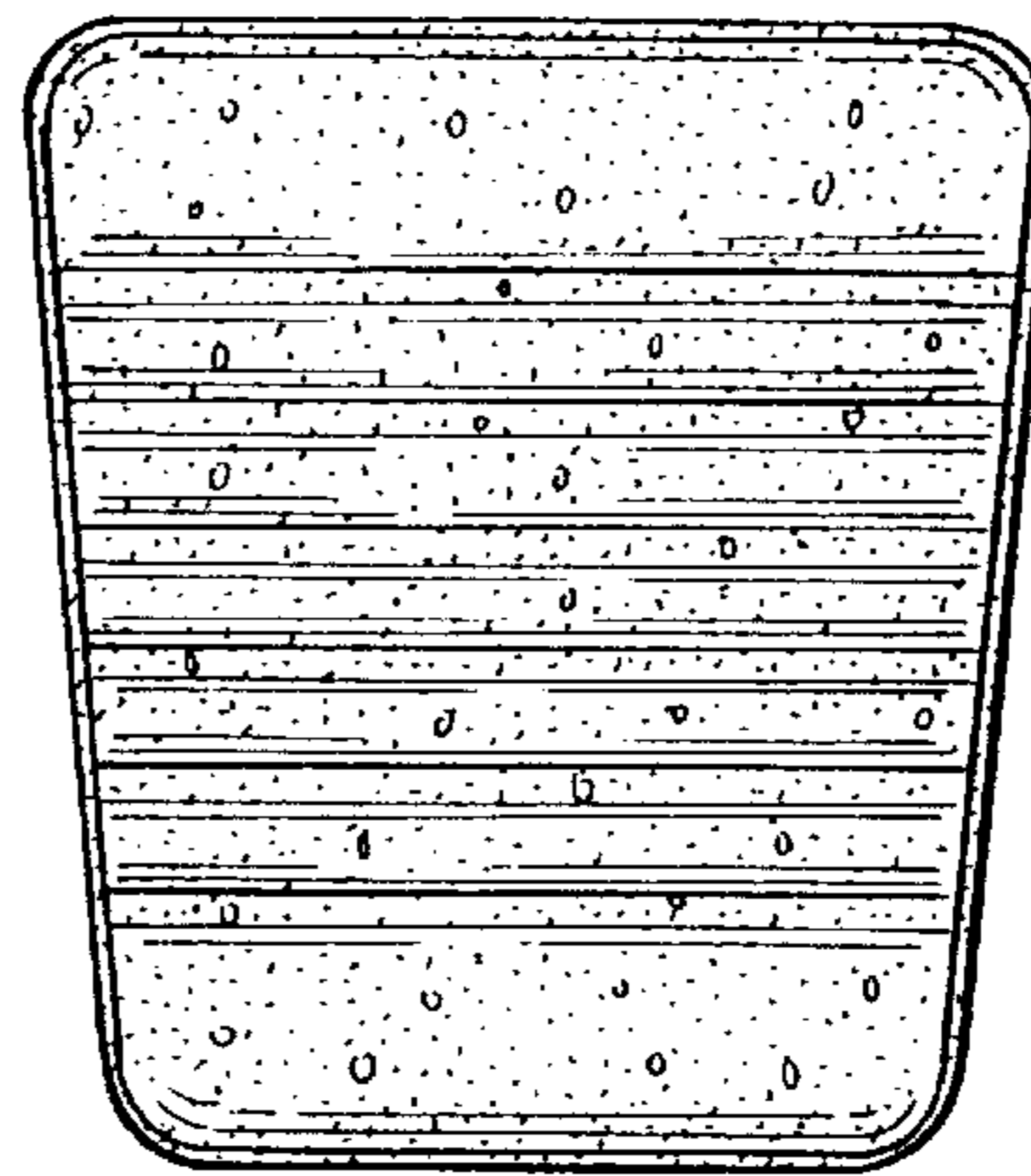


FIG. 3

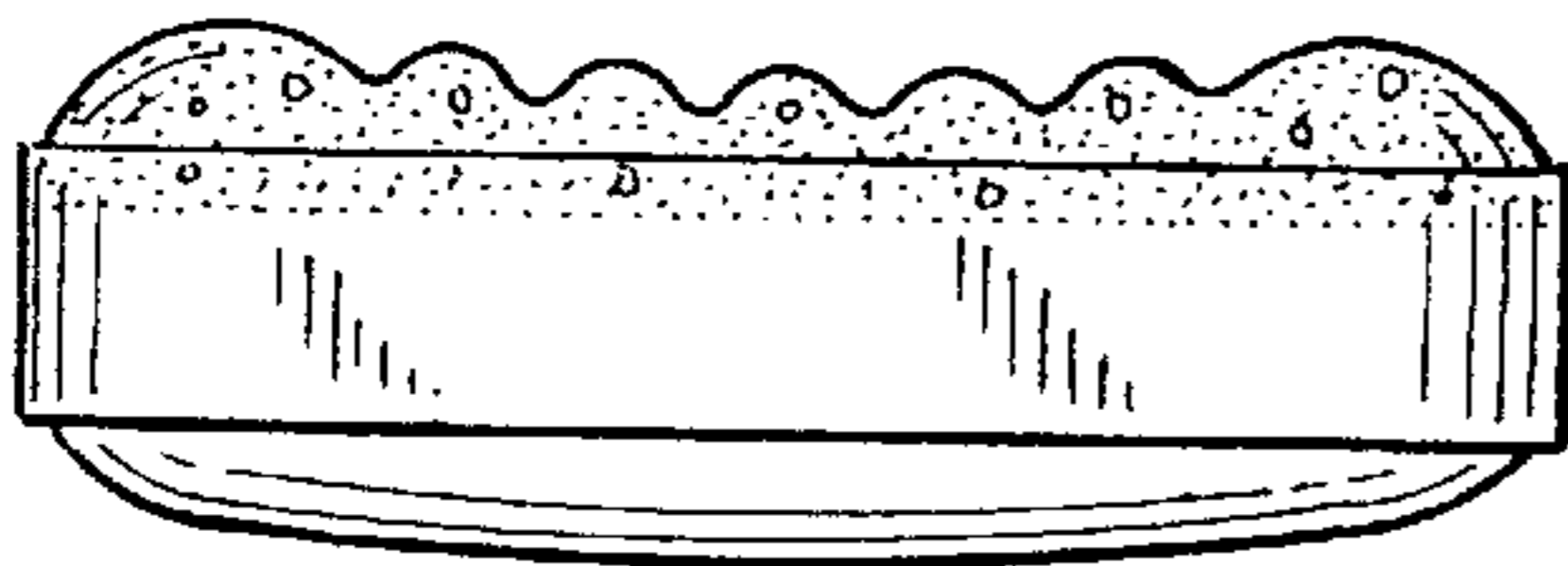


FIG. 4

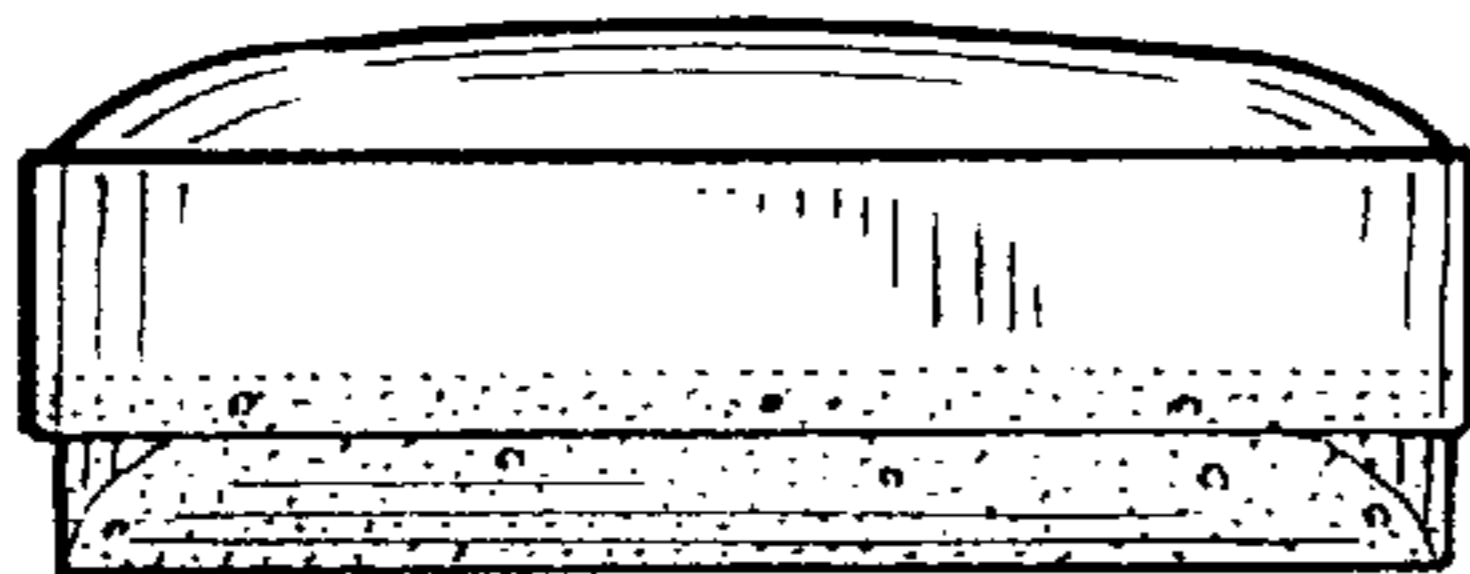


FIG. 5

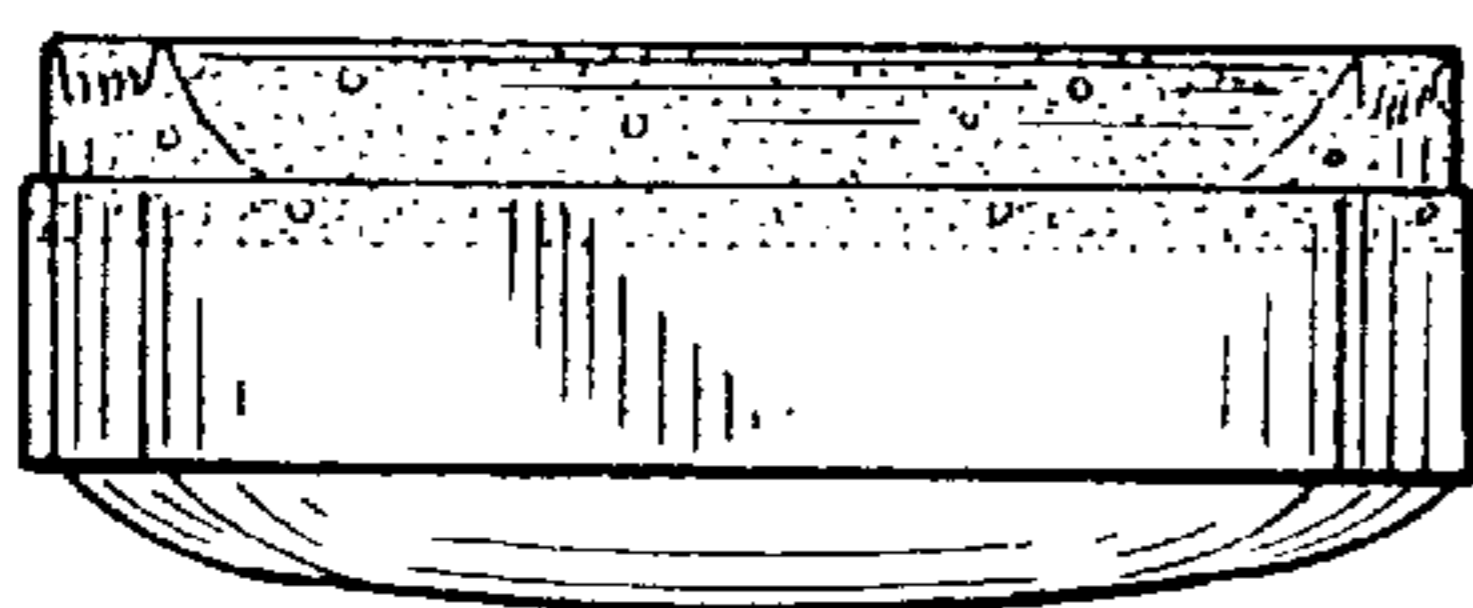


FIG. 6

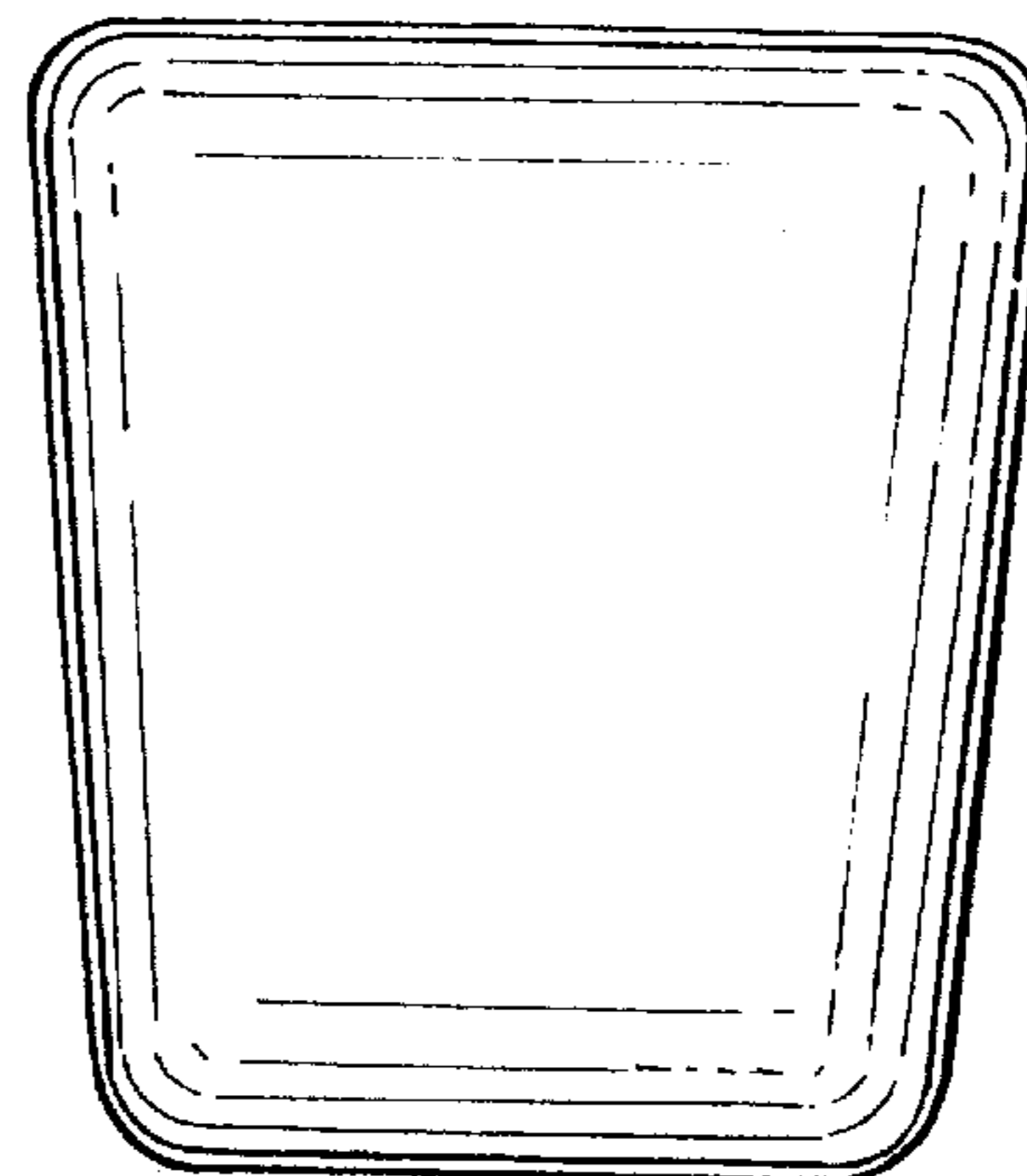


FIG. 7

