



US00D535386S

(12) **United States Design Patent** (10) **Patent No.:** **US D535,386 S**
Pickett (45) **Date of Patent:** **** Jan. 16, 2007**

(54) **FAN BLADE BRACKET**

(76) Inventor: **Mark Pickett**, 1419 E. Palm St.,
Altadena, CA (US) 91001

(**) Term: **14 Years**

(21) Appl. No.: **29/257,331**

(22) Filed: **Apr. 3, 2006**

(51) **LOC (8) Cl.** **23-04**

(52) **U.S. Cl.** **D23/411**

(58) **Field of Classification Search** D23/377,
D23/379, 385, 411, 413; 416/5

See application file for complete search history.

(56) **References Cited**

U.S. PATENT DOCUMENTS

D382,955 S * 8/1997 Liu D23/411
D481,455 S * 10/2003 Young D23/411
D518,567 S * 4/2006 Hidalgo D23/411

* cited by examiner

Primary Examiner—Lisa Lichtenstein

(74) *Attorney, Agent, or Firm*—Parsons & Goltry; Michael
W. Goltry; Robert A. Parsons

(57) **CLAIM**

The ornamental design for a fan blade bracket, as shown and
described.

DESCRIPTION

FIG. 1 is a top perspective view of a fan blade bracket
showing my new design;

FIG. 2 is a bottom perspective view thereof;

FIG. 3 is a right side elevational view thereof;

FIG. 4 is a left side elevational view thereof;

FIG. 5 is a bottom plan view thereof;

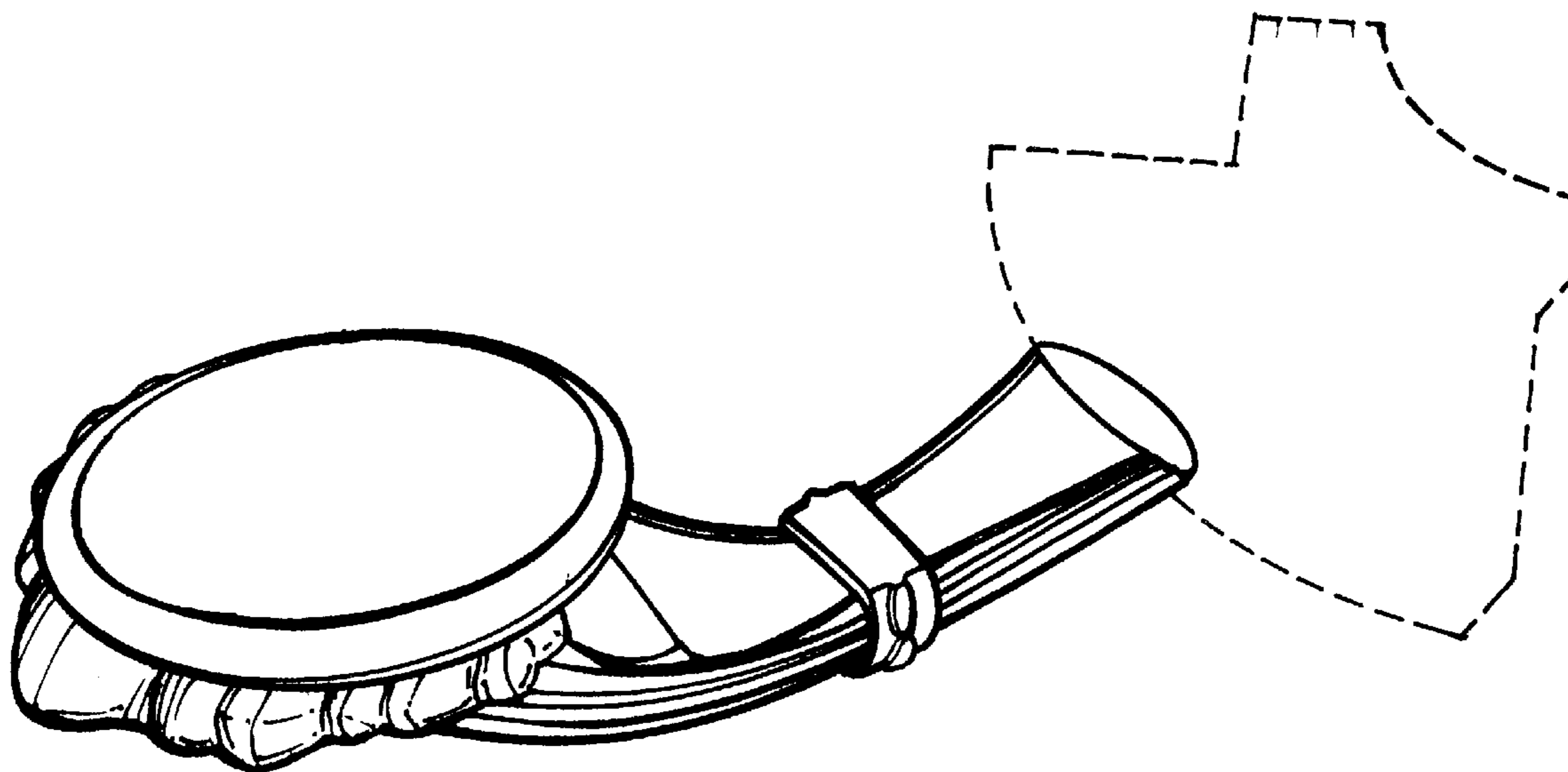
FIG. 6 is a top plan view thereof;

FIG. 7 is a front elevational view thereof; and,

FIG. 8 is a rear elevational view thereof.

The broken lines in the views show environmental features,
which are for illustrative purposes only and form no part of
the claimed design.

1 Claim, 4 Drawing Sheets



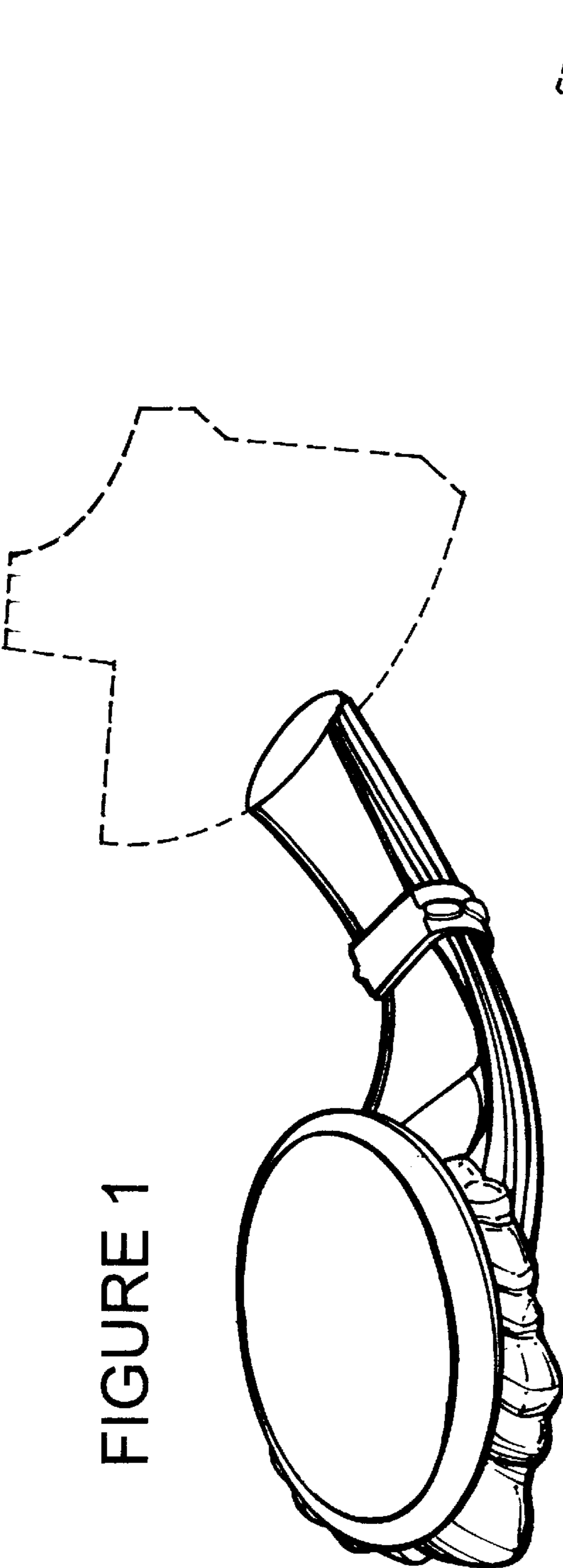


FIGURE 1

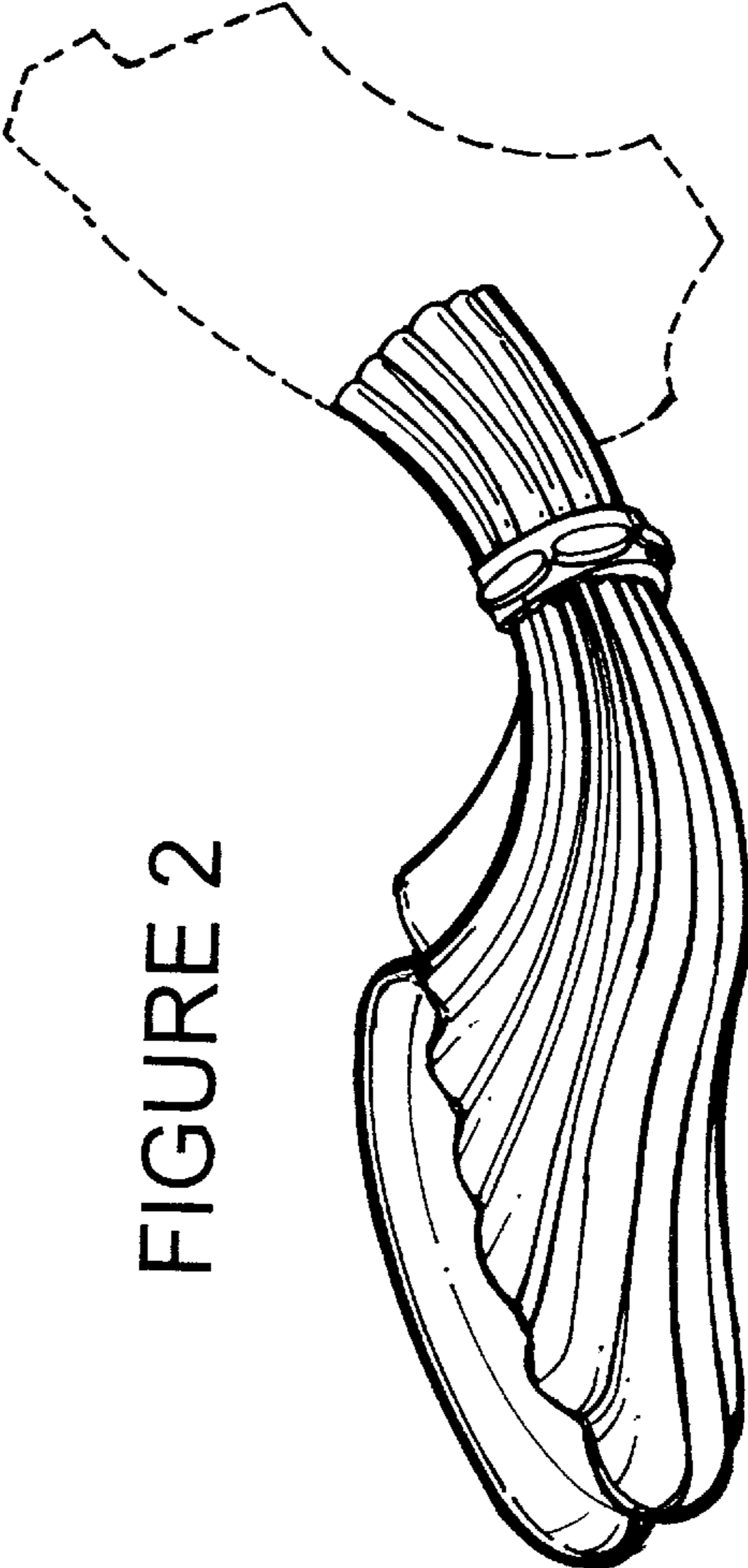


FIGURE 2

FIGURE 3

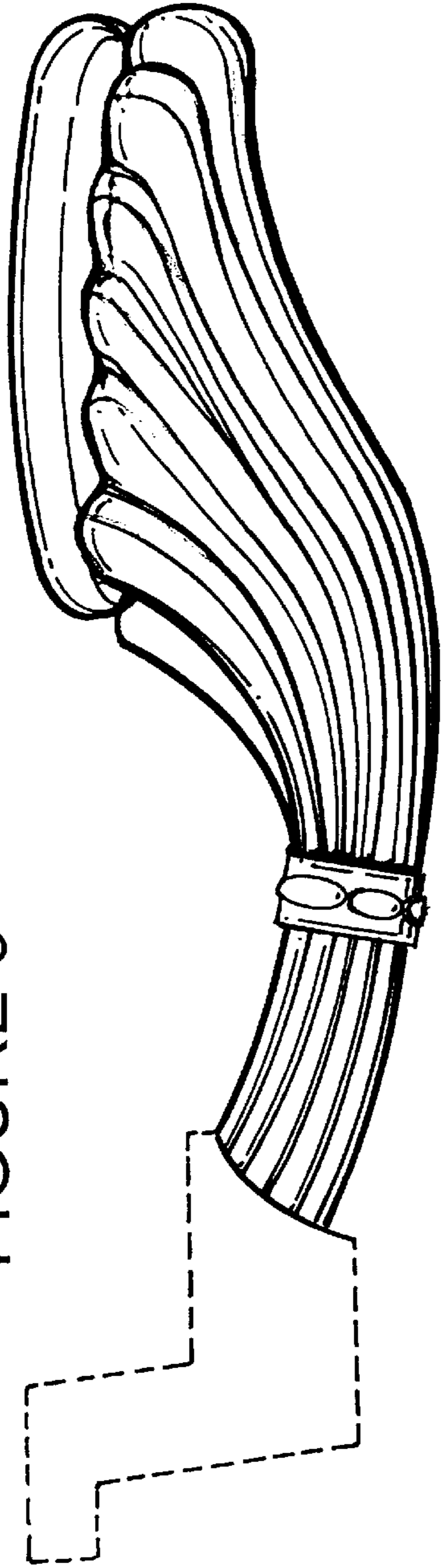
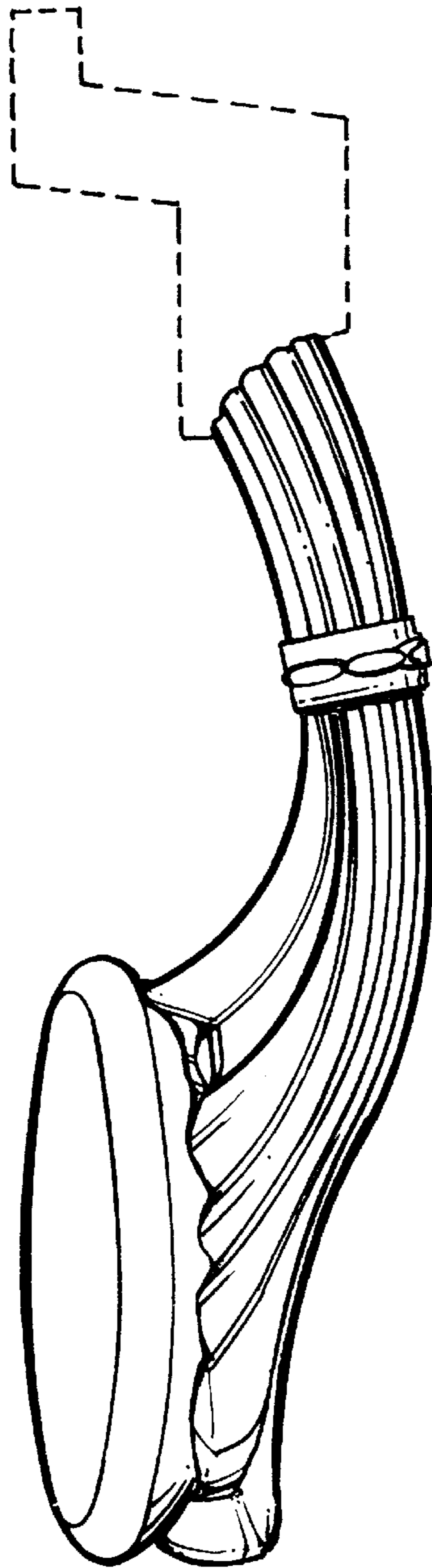


FIGURE 4



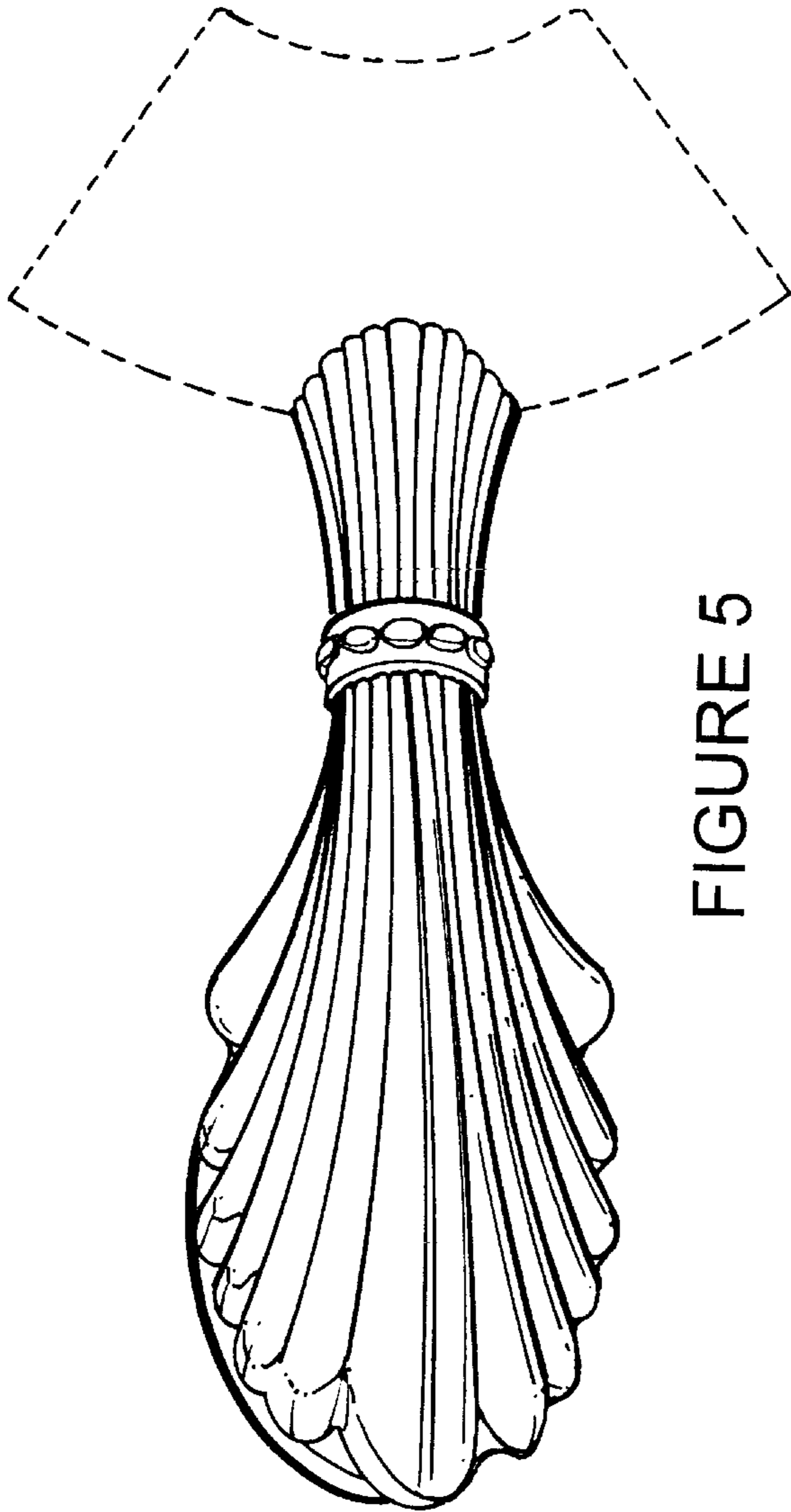


FIGURE 5

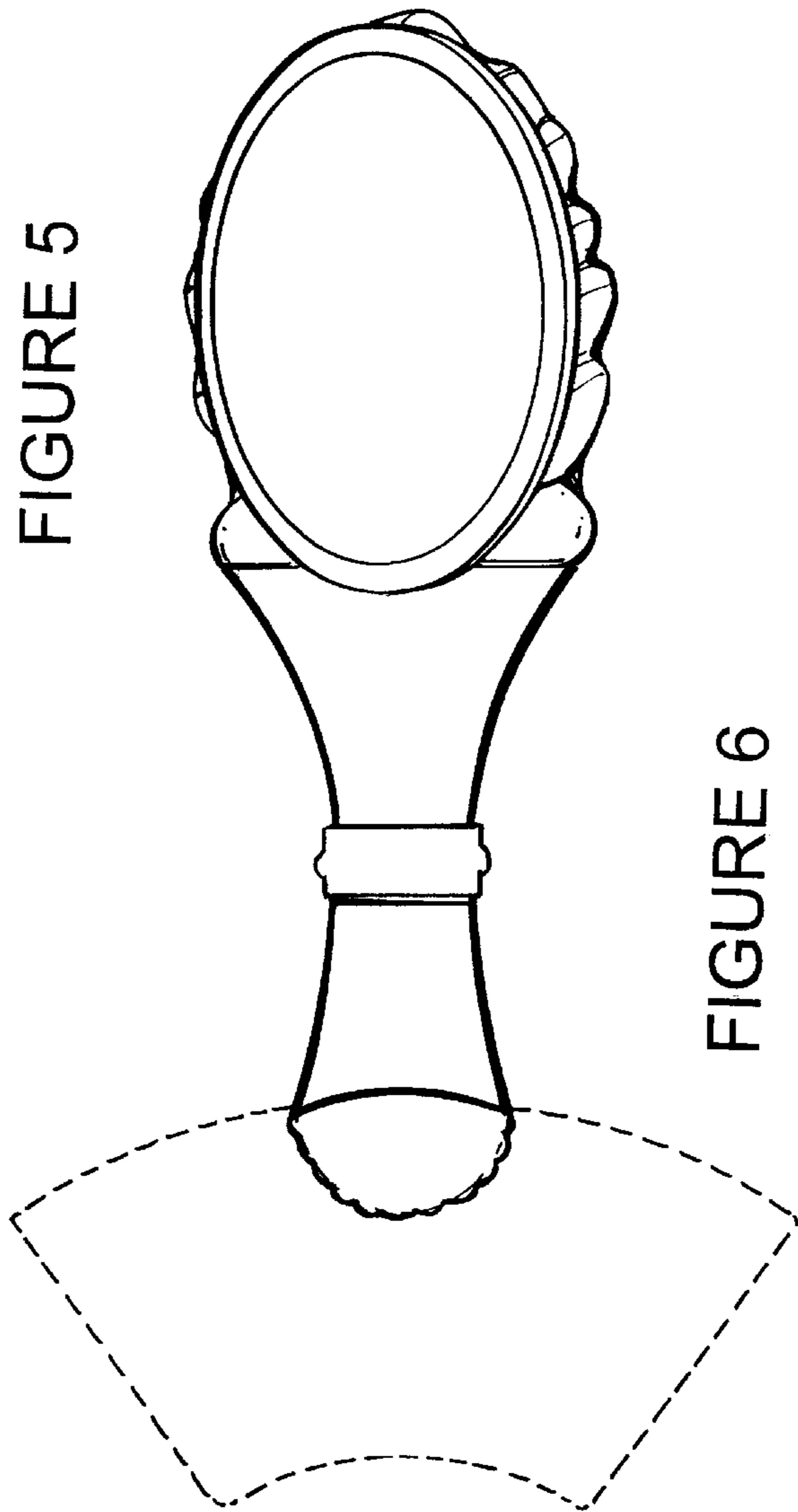


FIGURE 6

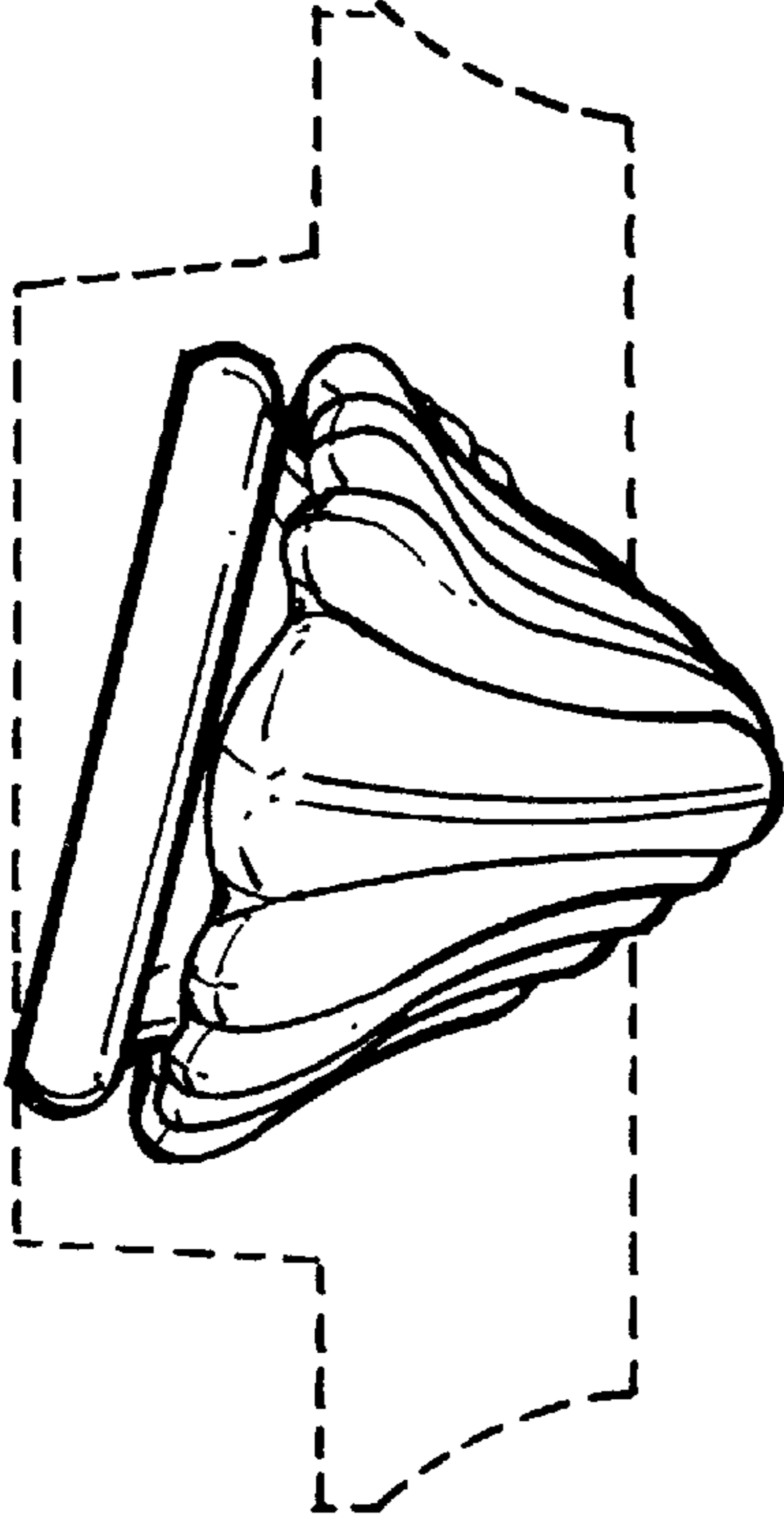


FIGURE 7

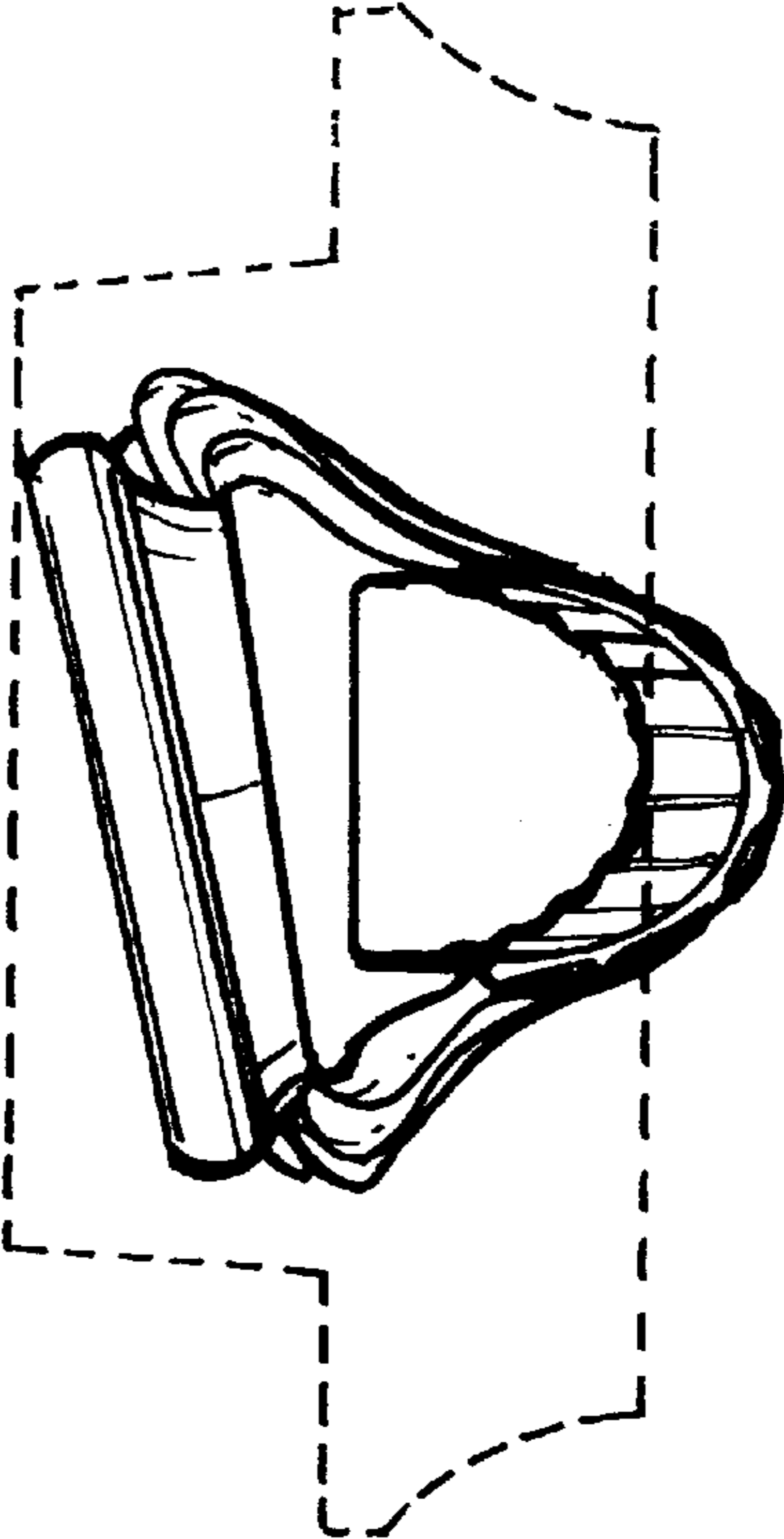


FIGURE 8