

US00D535385S

(12) **United States Design Patent**  
**Pickett**

(10) **Patent No.:** **US D535,385 S**

(45) **Date of Patent:** **\*\* Jan. 16, 2007**

(54) **COMBINED CEILING FAN HOUSING AND LIGHT KIT**

(76) Inventor: **Mark Pickett**, 1419 E. Palm St., Altadena, CA (US) 91001

(\*\*) Term: **14 Years**

(21) Appl. No.: **29/257,329**

(22) Filed: **Apr. 3, 2006**

(51) **LOC (8) Cl.** ..... **23-04**

(52) **U.S. Cl.** ..... **D23/411**

(58) **Field of Classification Search** ..... D23/411,  
D23/413, 377, 379, 385; 416/5; D26/59,  
D26/51, 72, 80-86, 73

See application file for complete search history.

(56) **References Cited**

**U.S. PATENT DOCUMENTS**

D452,908 S	*	1/2002	Dolan	.....	D23/411
D471,269 S	*	3/2003	Gajewski	.....	D23/411
D527,090 S	*	8/2006	Pan	.....	D23/377

\* cited by examiner

*Primary Examiner*—Lisa Lichtenstein  
(74) *Attorney, Agent, or Firm*—Parsons & Goltry; Michael W. Goltry; Robert A. Parsons

(57) **CLAIM**

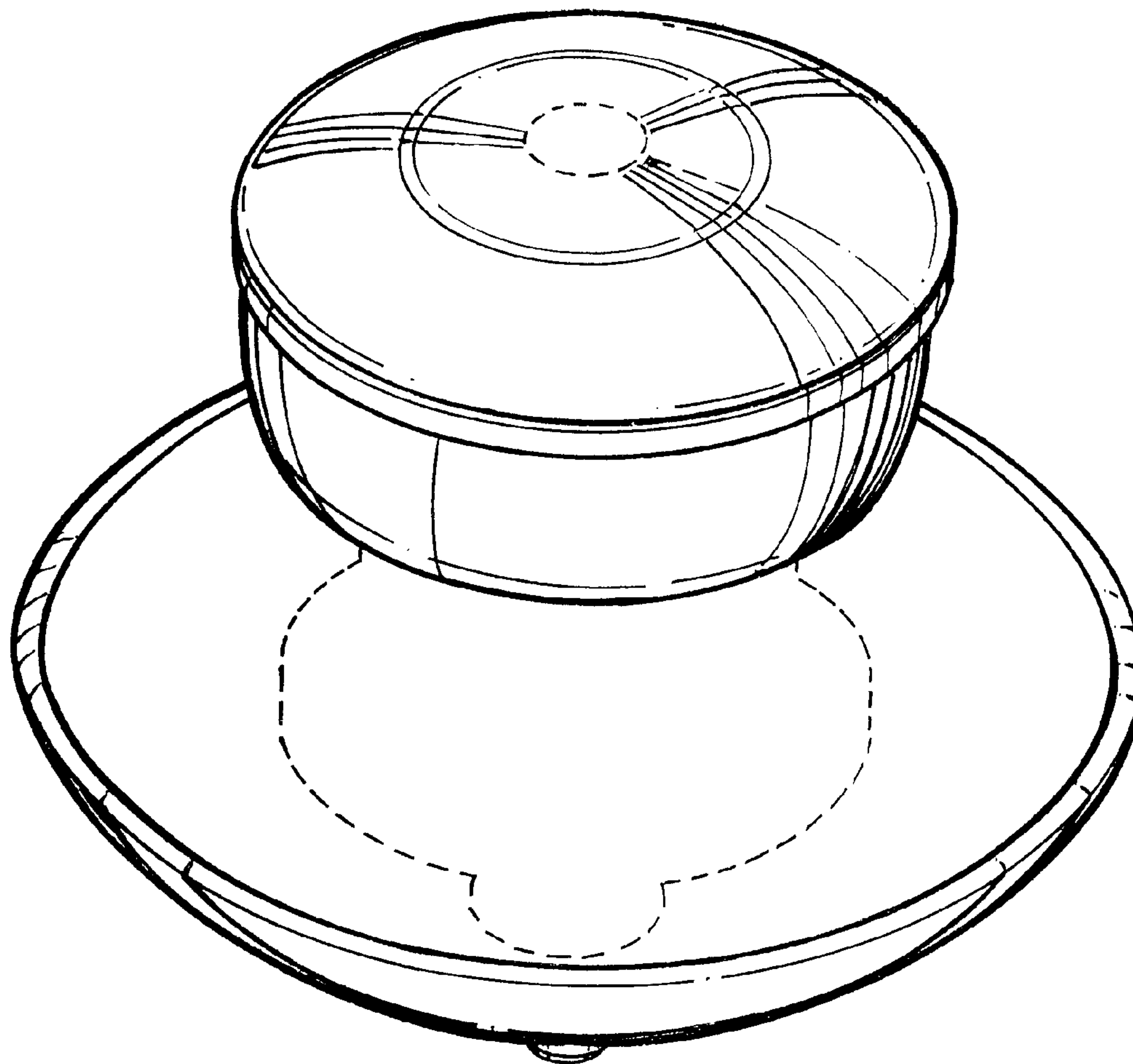
The ornamental design for a combined ceiling fan housing and light kit, as shown and described.

**DESCRIPTION**

FIG. 1 is a top perspective view of a combined ceiling fan housing and light kit showing my new design; FIG. 2 is a bottom perspective view thereof; FIG. 3 is a top plan view thereof; FIG. 4 is a bottom plan view thereof; and, FIG. 5 is front elevational view thereof, the rear elevational view thereof, the left side elevational view thereof, and the right side elevational view being substantially the same thereof.

The broken lines in the views show environmental features, which are for illustrative purposes only and form no part of the claimed design.

**1 Claim, 5 Drawing Sheets**



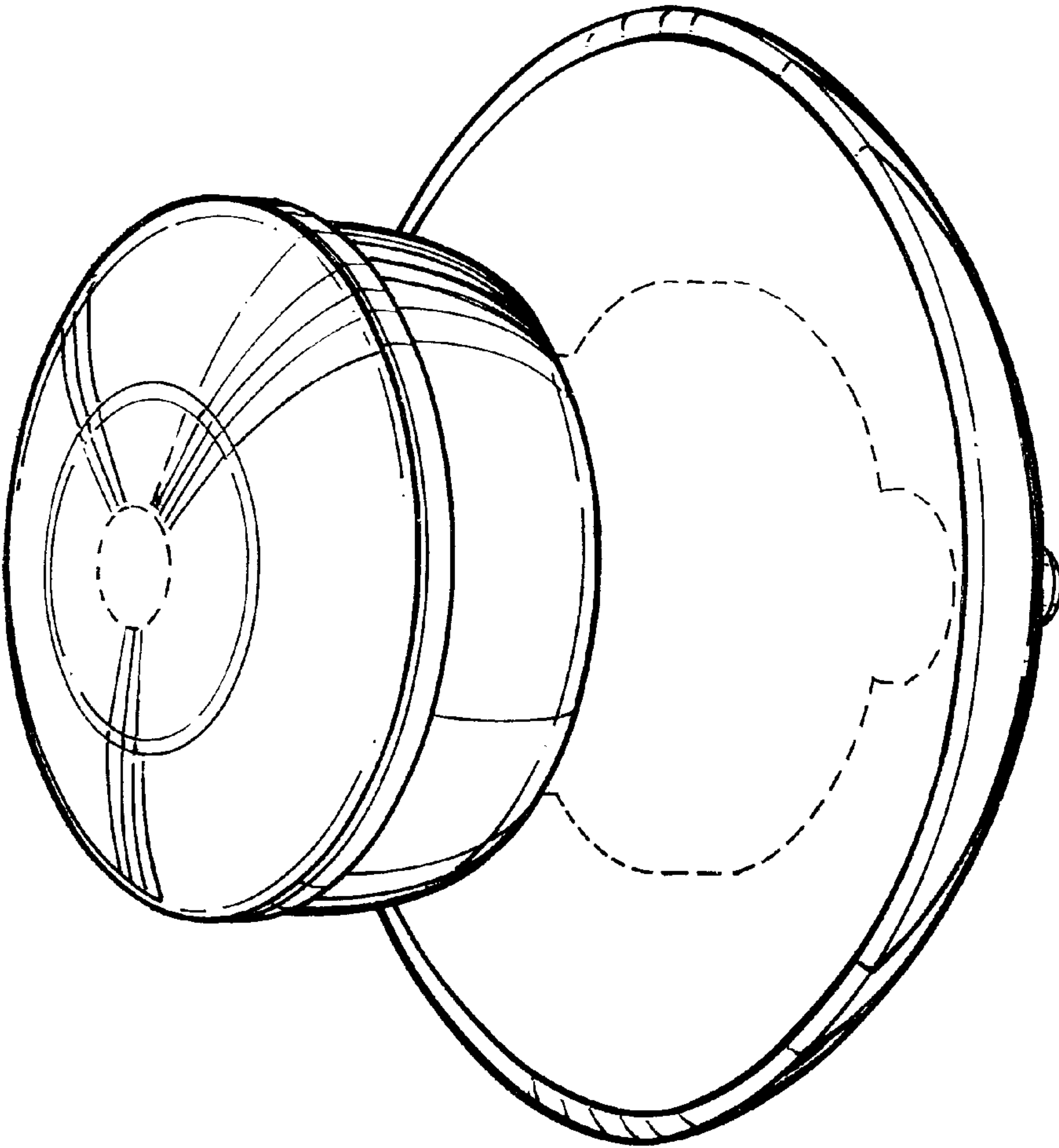


FIGURE 1

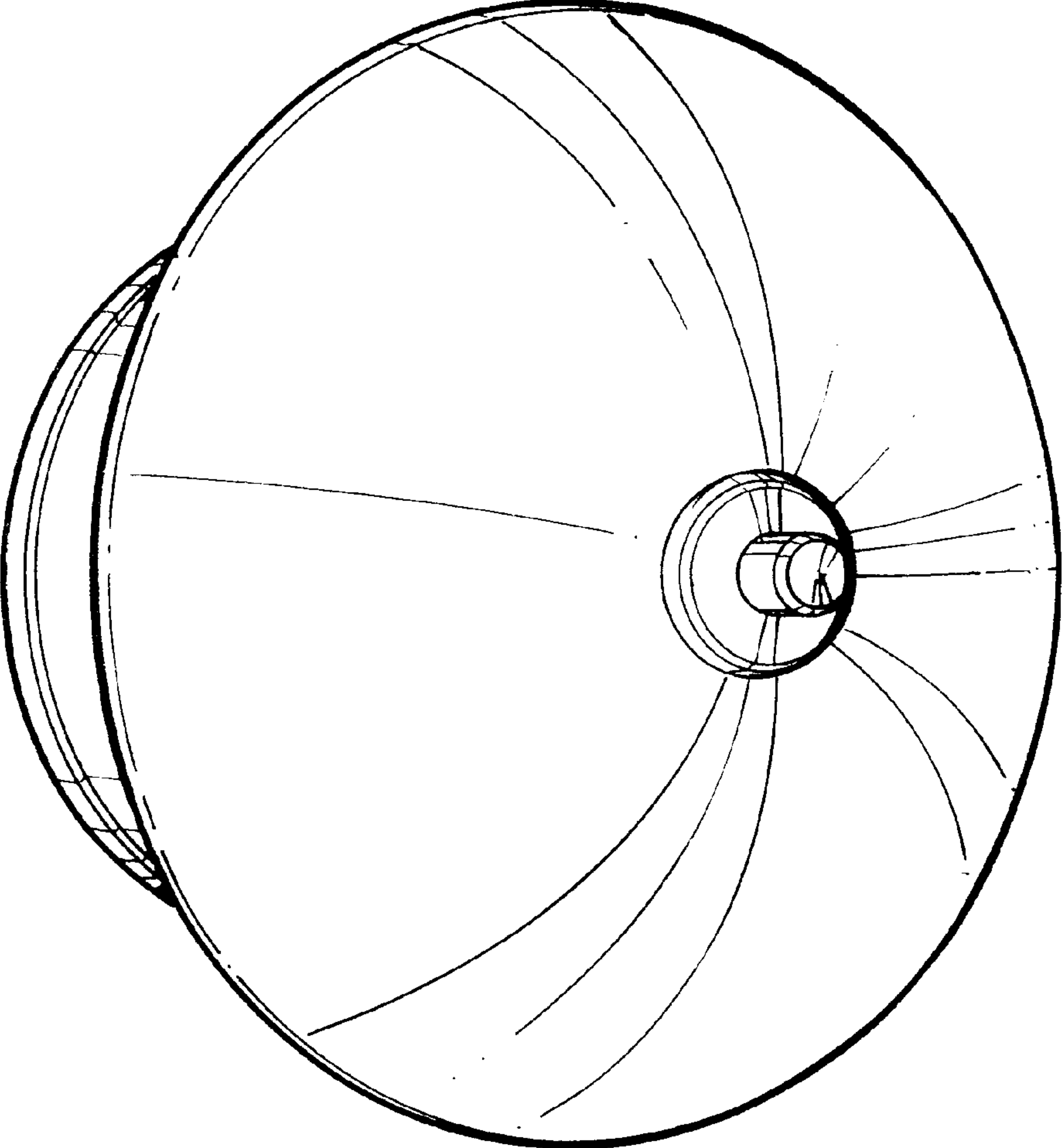


FIGURE 2

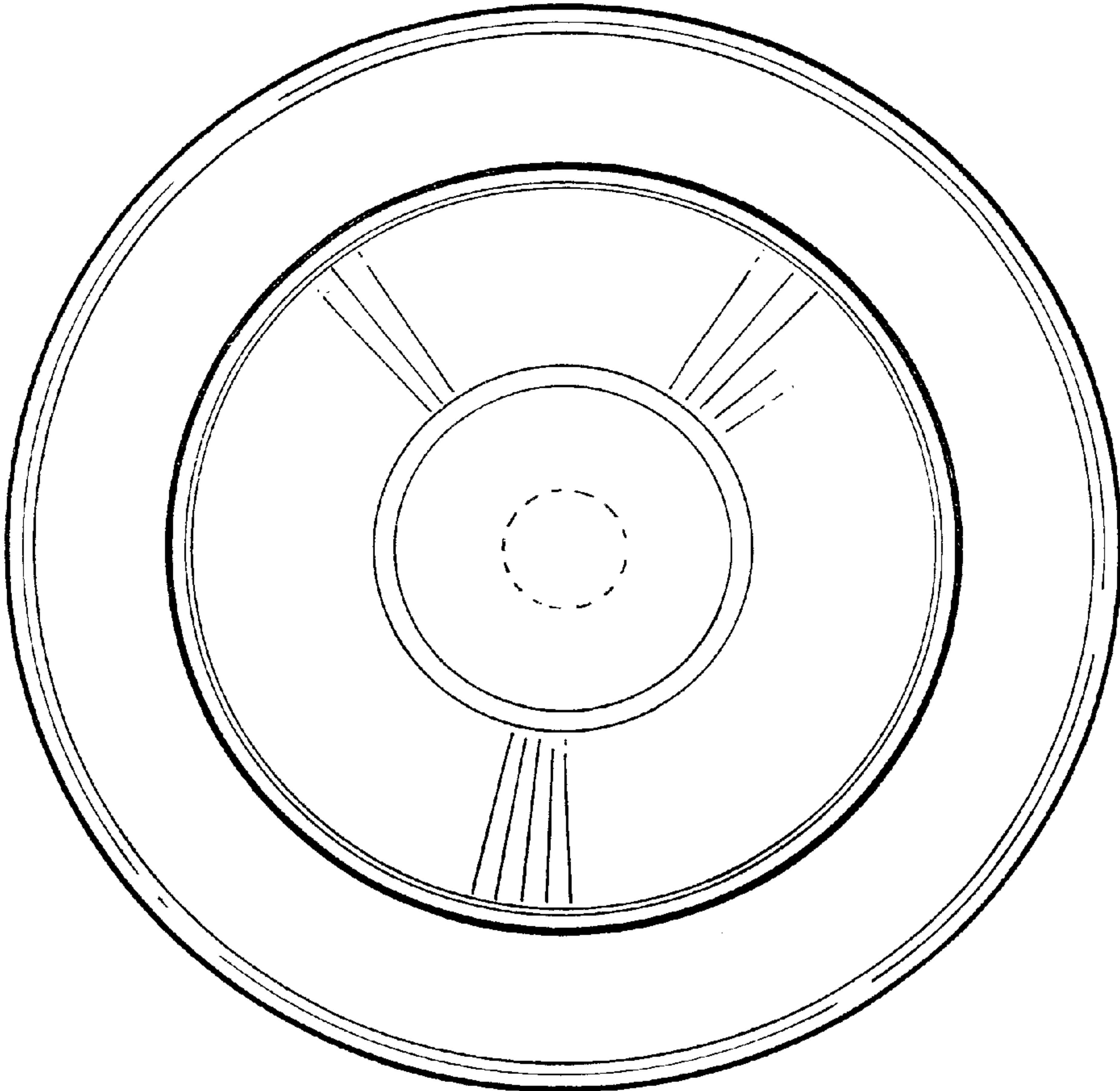


FIGURE 3

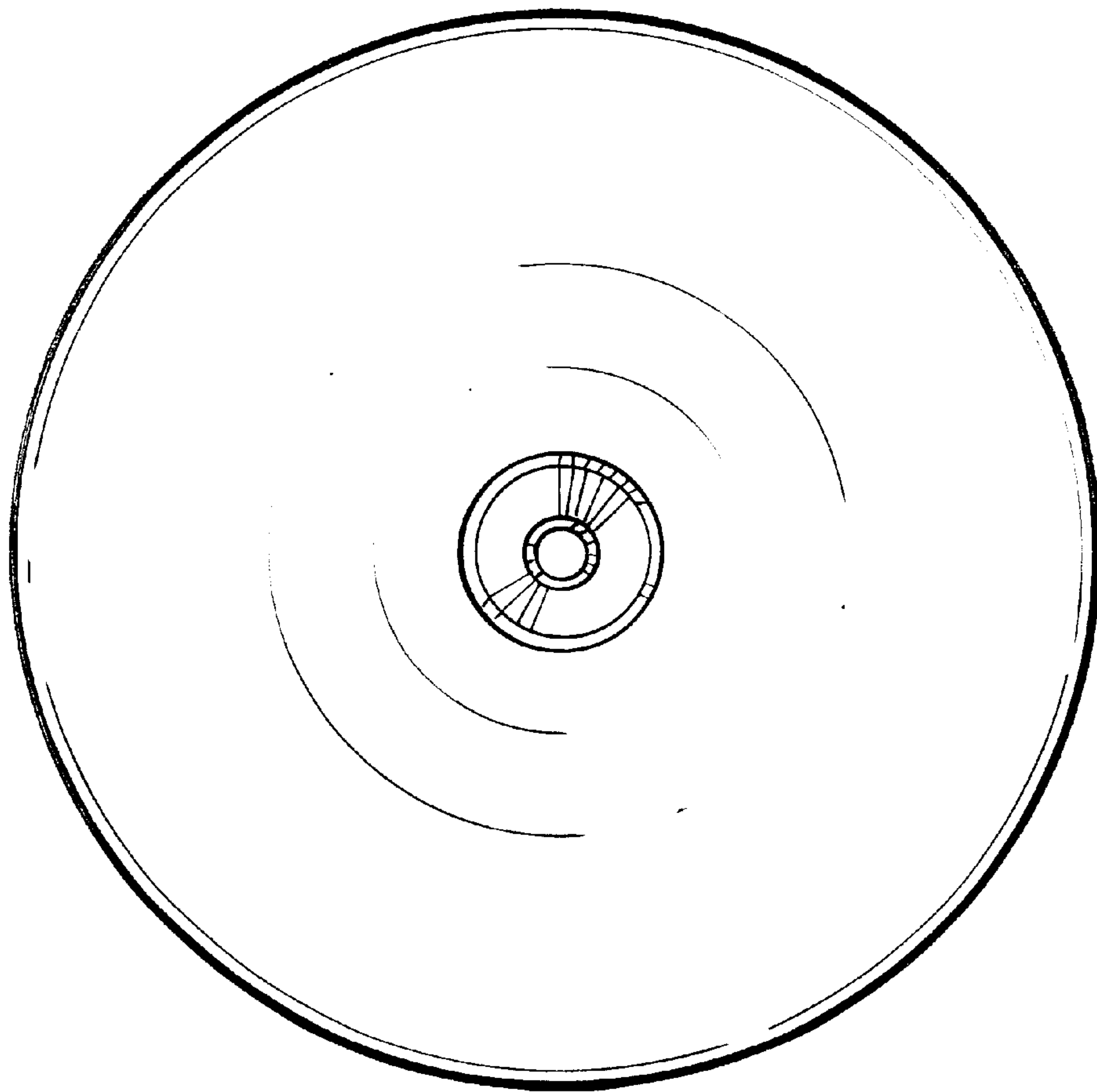


FIGURE 4

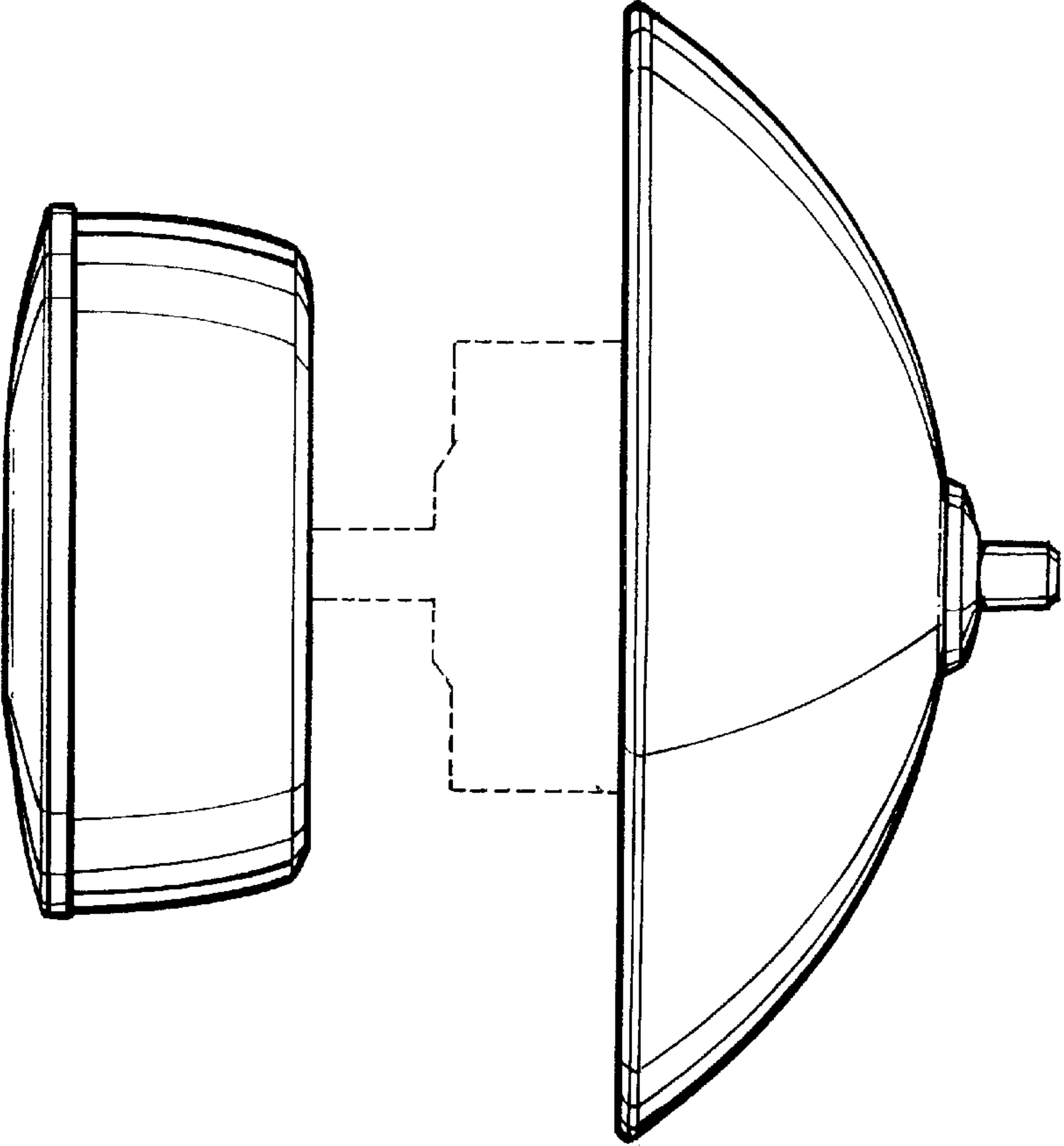


FIGURE 5