



US00D535383S

(12) **United States Design Patent**  
**Pickett**

(10) **Patent No.:** **US D535,383 S**

(45) **Date of Patent:** **\*\* Jan. 16, 2007**

(54) **CEILING FAN HOUSING**

D522,120 S \* 5/2006 Hidalgo ..... D23/377

(76) **Inventor:** **Mark Pickett**, 1419 E. Palm St.,  
Altadena, CA (US) 91001

\* cited by examiner

(\*\*) **Term:** **14 Years**

*Primary Examiner*—Lisa Lichtenstein

(74) *Attorney, Agent, or Firm*—Parsons & Goltry; Michael  
W. Goltry; Robert A. Parsons

(21) **Appl. No.:** **29/245,924**

(57) **CLAIM**

(22) **Filed:** **Dec. 30, 2005**

The ornamental design for a ceiling fan housing, as shown  
and described.

(51) **LOC (8) Cl.** ..... **23-04**

**DESCRIPTION**

(52) **U.S. Cl.** ..... **D23/411**

(58) **Field of Classification Search** ..... D23/411,  
D23/377, 379, 385; 416/5; 392/364  
See application file for complete search history.

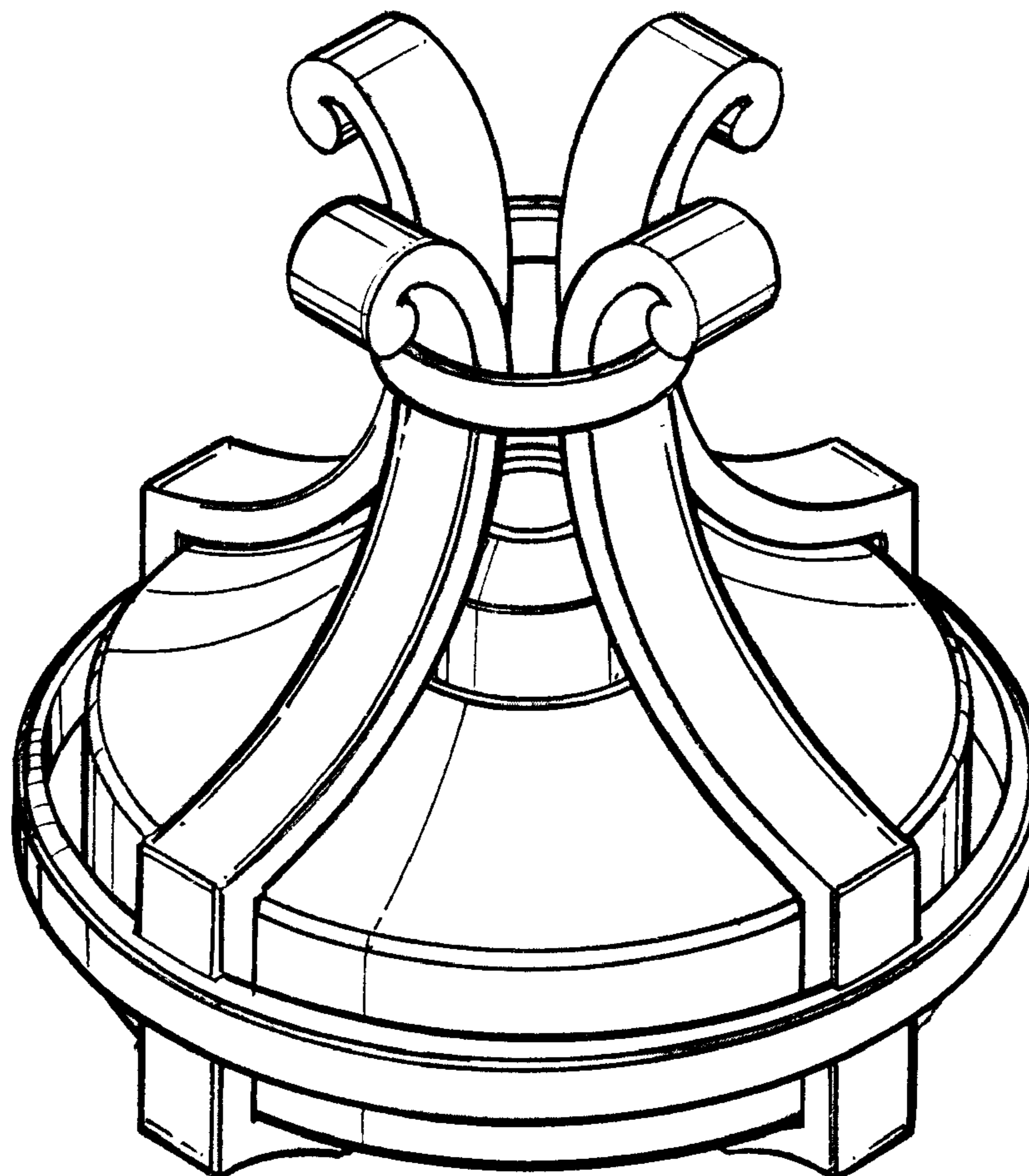
FIG. 1 is a top perspective view of a ceiling fan housing  
showing my new design;  
FIG. 2 is a top plan view thereof;  
FIG. 3 is a bottom plan view thereof;  
FIG. 4 is front elevational view thereof, the opposing rear  
elevational view being substantially the same thereof; and,  
FIG. 5 is a right side elevational view thereof, the opposing  
left side elevational view being sunstantially the same  
thereof.

(56) **References Cited**

**U.S. PATENT DOCUMENTS**

D402,751 S \* 12/1998 Gee, II ..... D23/411  
D407,154 S \* 3/1999 Thomas ..... D23/377

**1 Claim, 5 Drawing Sheets**



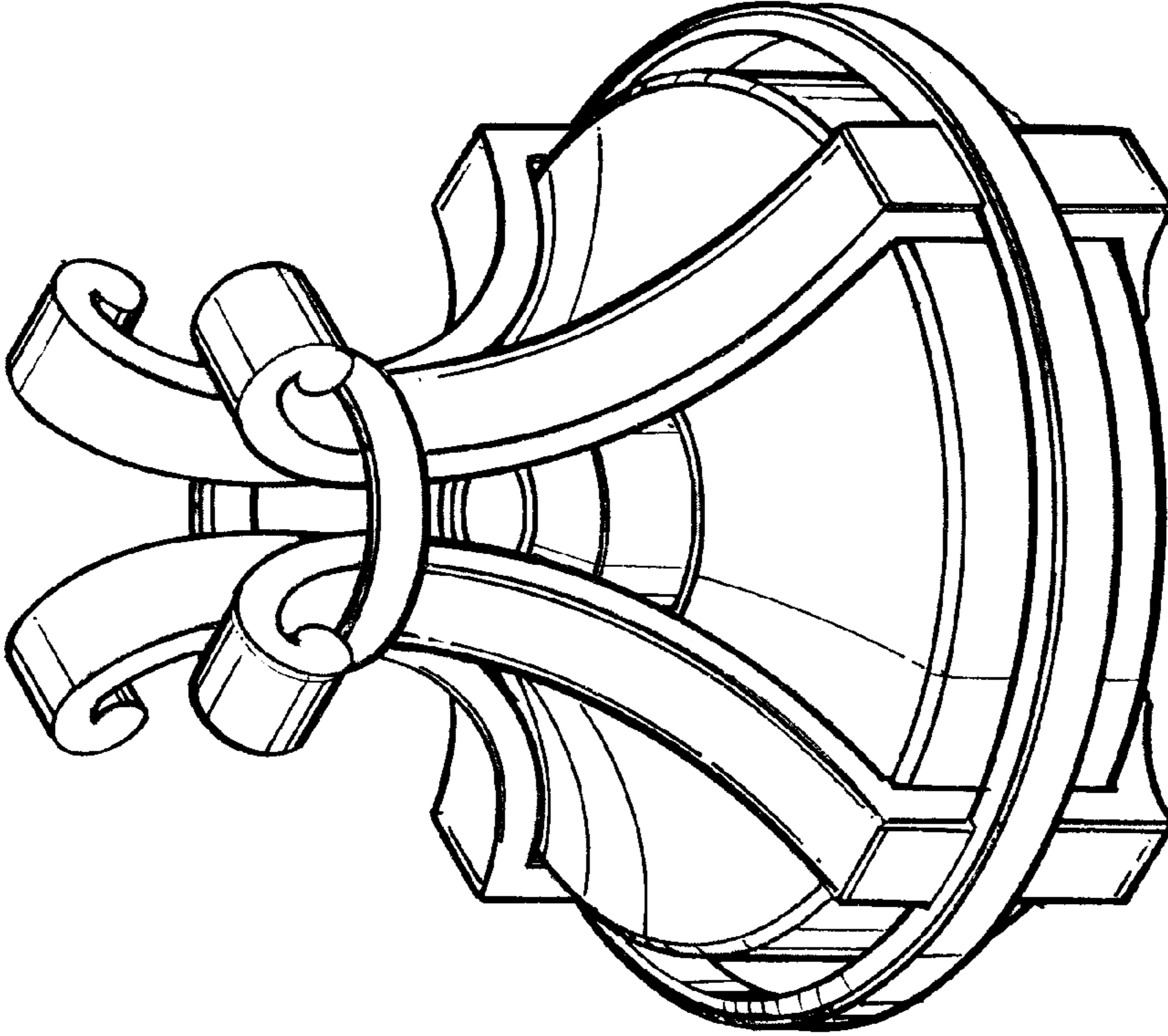


FIGURE 1

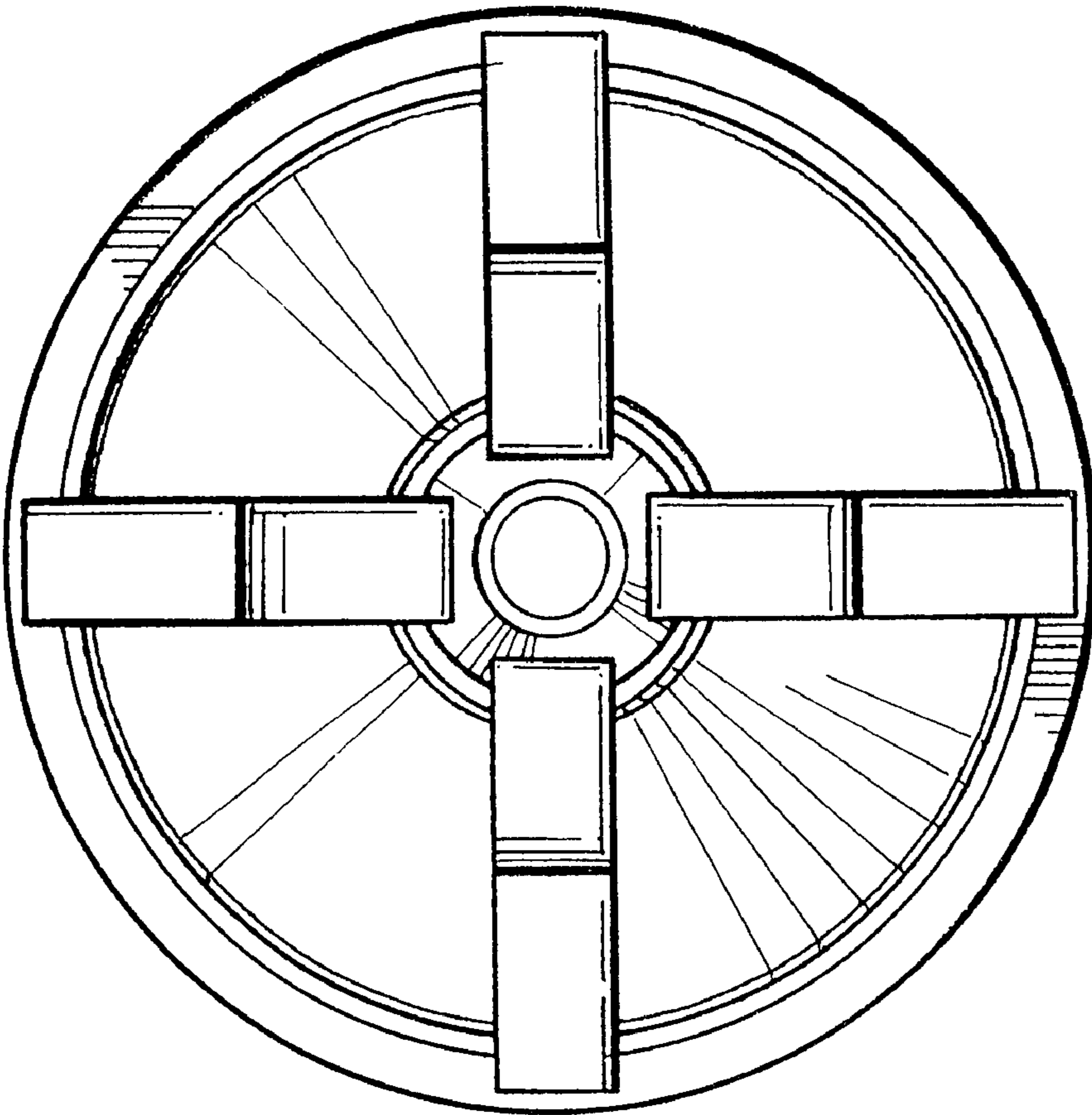


FIGURE 2

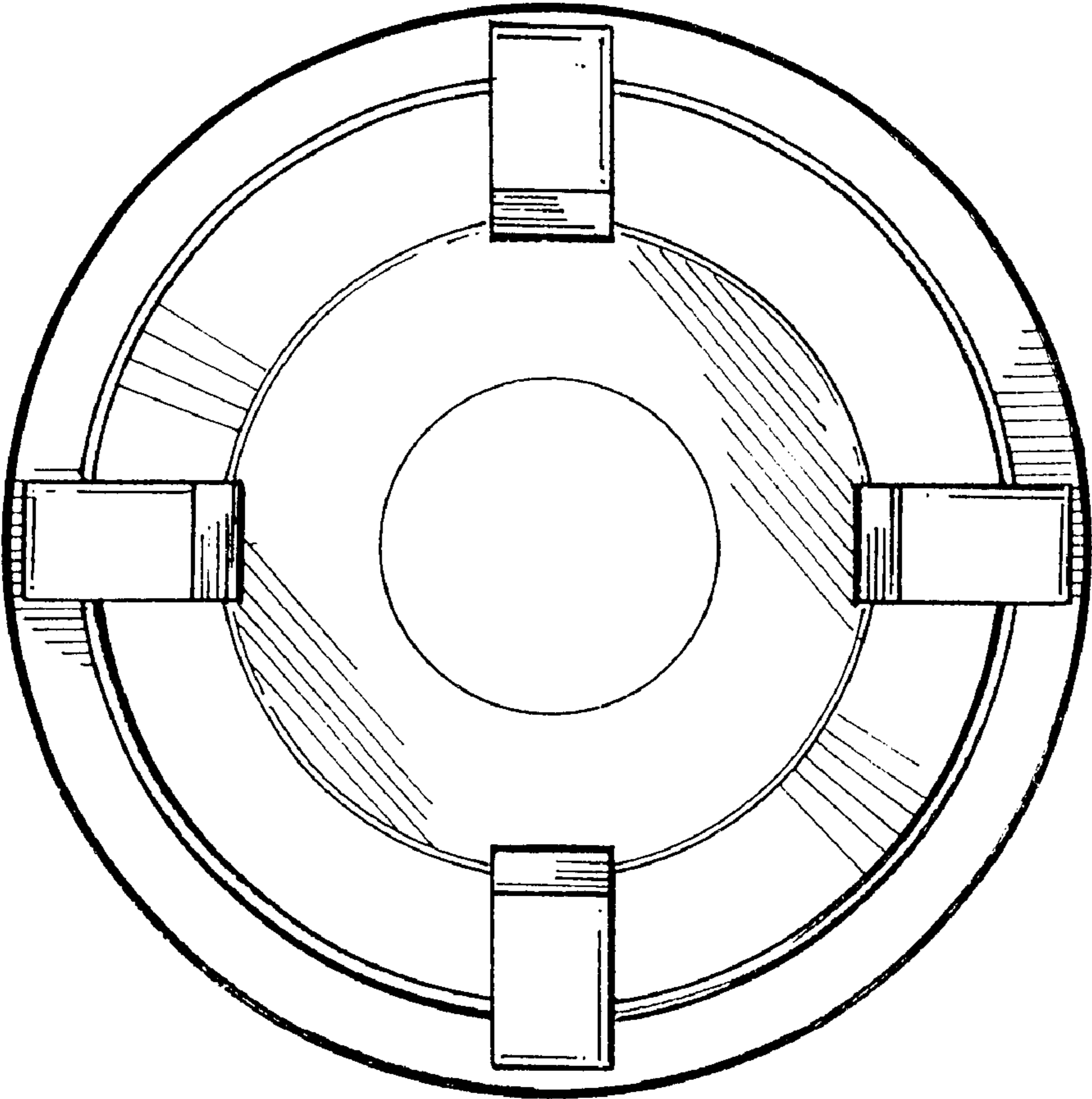


FIGURE 3

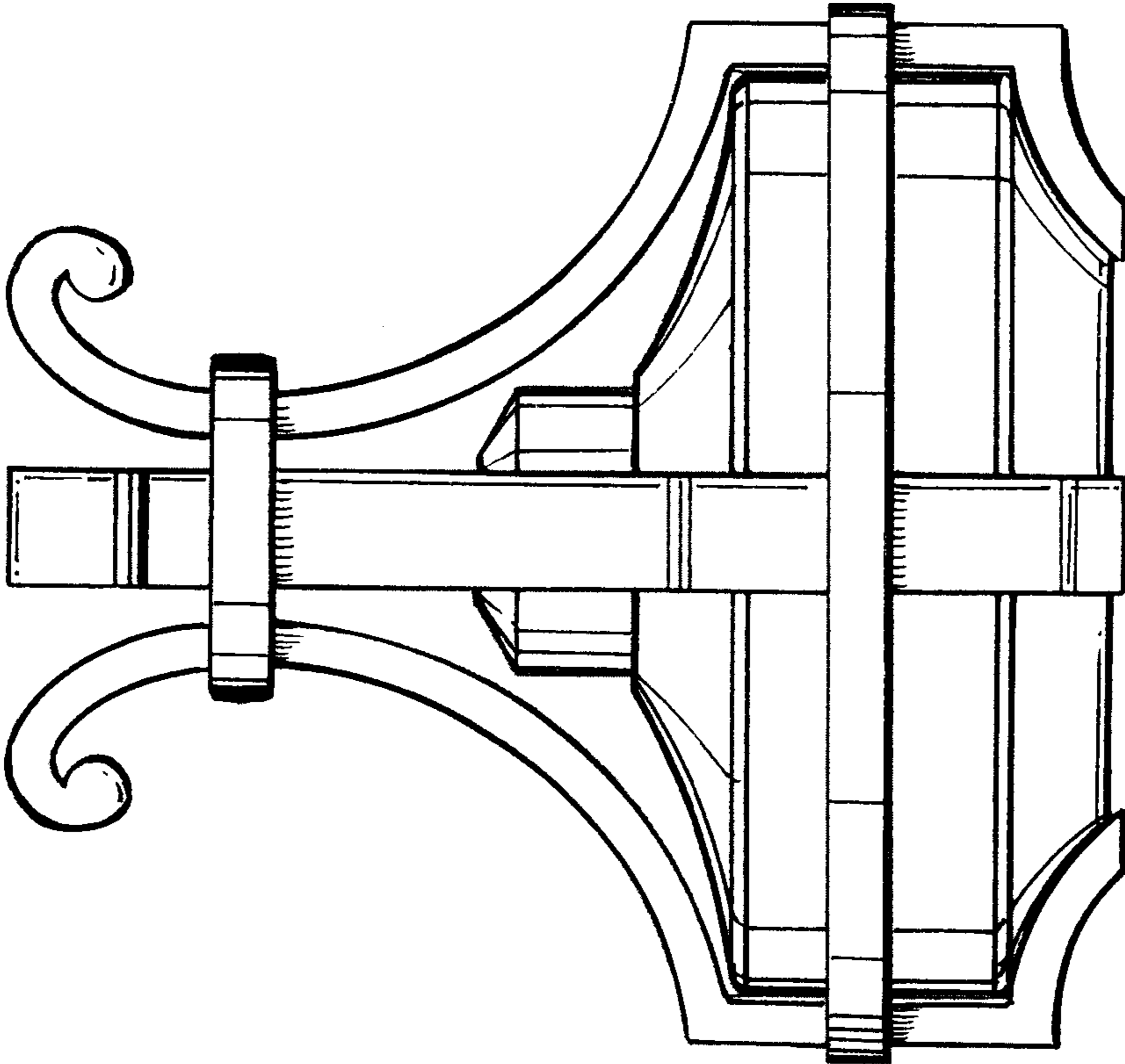


FIGURE 4

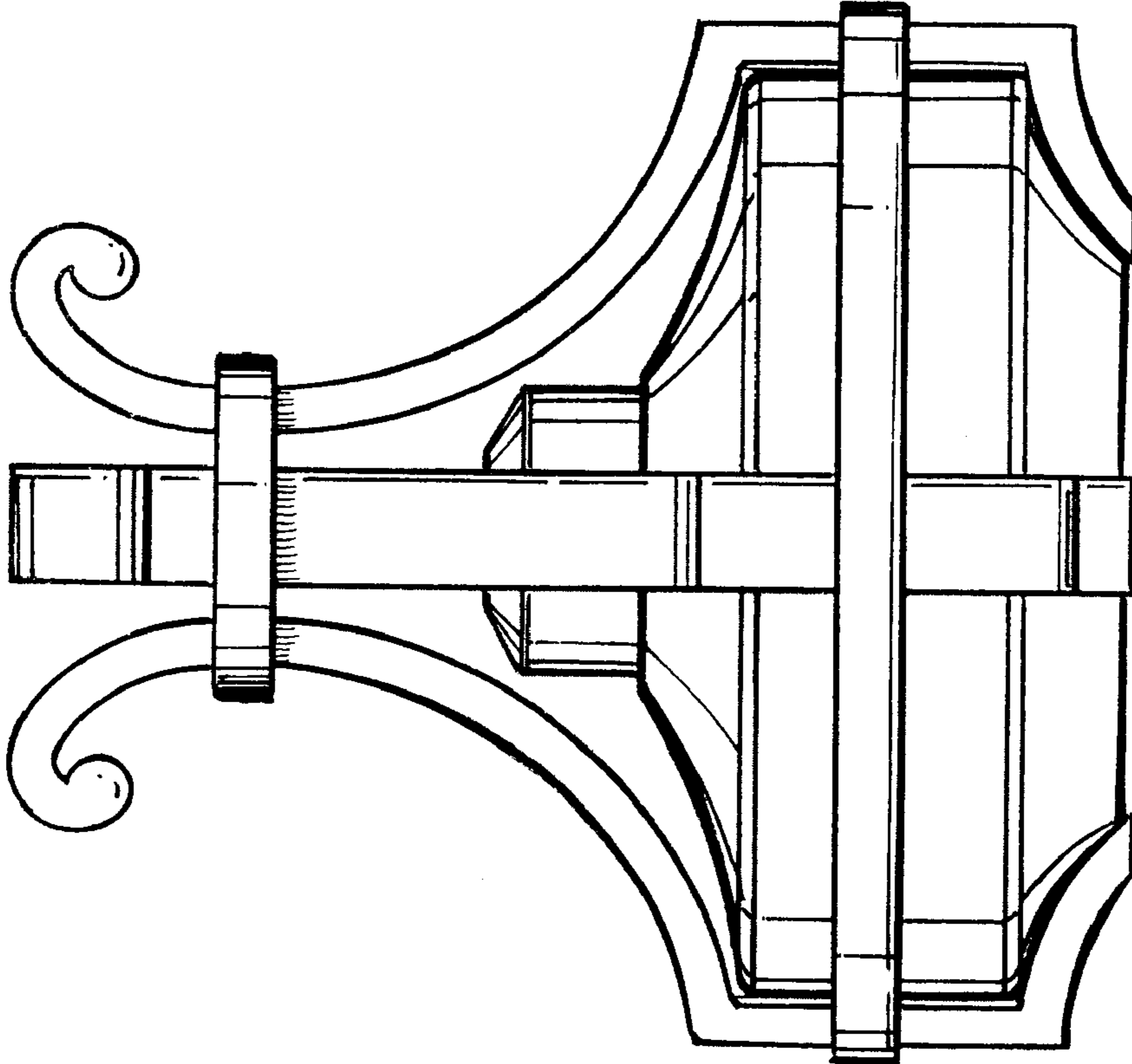


FIGURE 5