



US00D535381S

(12) **United States Design Patent**
Chiang et al.

(10) **Patent No.:** **US D535,381 S**

(45) **Date of Patent:** **** Jan. 16, 2007**

(54) **SMOKE EXHAUSTER**

D395,495 S * 6/1998 Wu D23/372
6,216,686 B1 * 4/2001 Chiu 126/299 D

(76) Inventors: **Chi Shyong Chiang**, No. 353, Sec. 1, Minsen Road, Dayia Hsiang, Taichung Hsien 42866 (TW); **Chao Cheng Chiang**, No. 353, Sec. 1, Minsen Road, Dayia Hsiang, Taichung Hsien 42866 (TW)

* cited by examiner

Primary Examiner—Lisa Lichtenstein

(57) **CLAIM**

The ornamental design for a smoke exhauster, as shown and described.

(**) **Term:** **14 Years**

DESCRIPTION

(21) **Appl. No.:** **29/240,523**

FIG. 1 is a perspective view of a smoke exhauster showing our new design;
FIG. 2 is a front elevational view thereof;
FIG. 3 is a rear elevational view thereof;
FIG. 4 is a top plan view thereof;
FIG. 5 is a bottom plan view thereof;
FIG. 6 is a left side elevational view thereof;
FIG. 7 is a right side elevational view thereof; and,
FIG. 8 is a top plan view thereof, the attaching device depicted by means of broken lines being for illustrative purposes only and forming no part of the claimed design. The mesh pattern fragmentarily shown in FIGS. 1 and 5 is understood to extend uniformly throughout the area represented.

(22) **Filed:** **Oct. 14, 2005**

(51) **LOC (8) Cl.** **23-04**

(52) **U.S. Cl.** **D23/372**

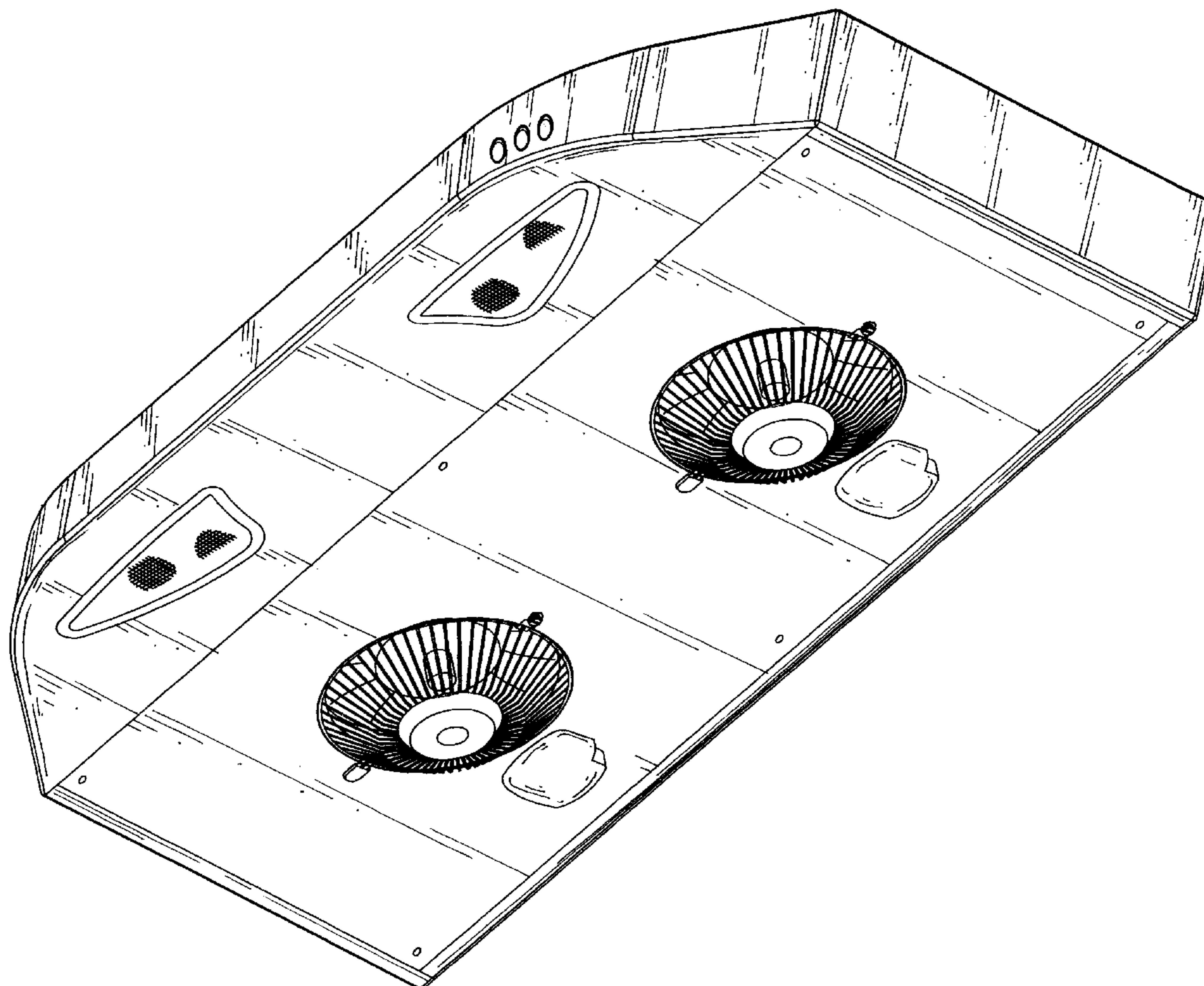
(58) **Field of Classification Search** D23/372,
D23/371; 126/299 R, 299 D
See application file for complete search history.

(56) **References Cited**

U.S. PATENT DOCUMENTS

D325,966 S * 5/1992 Wei D23/372

1 Claim, 5 Drawing Sheets



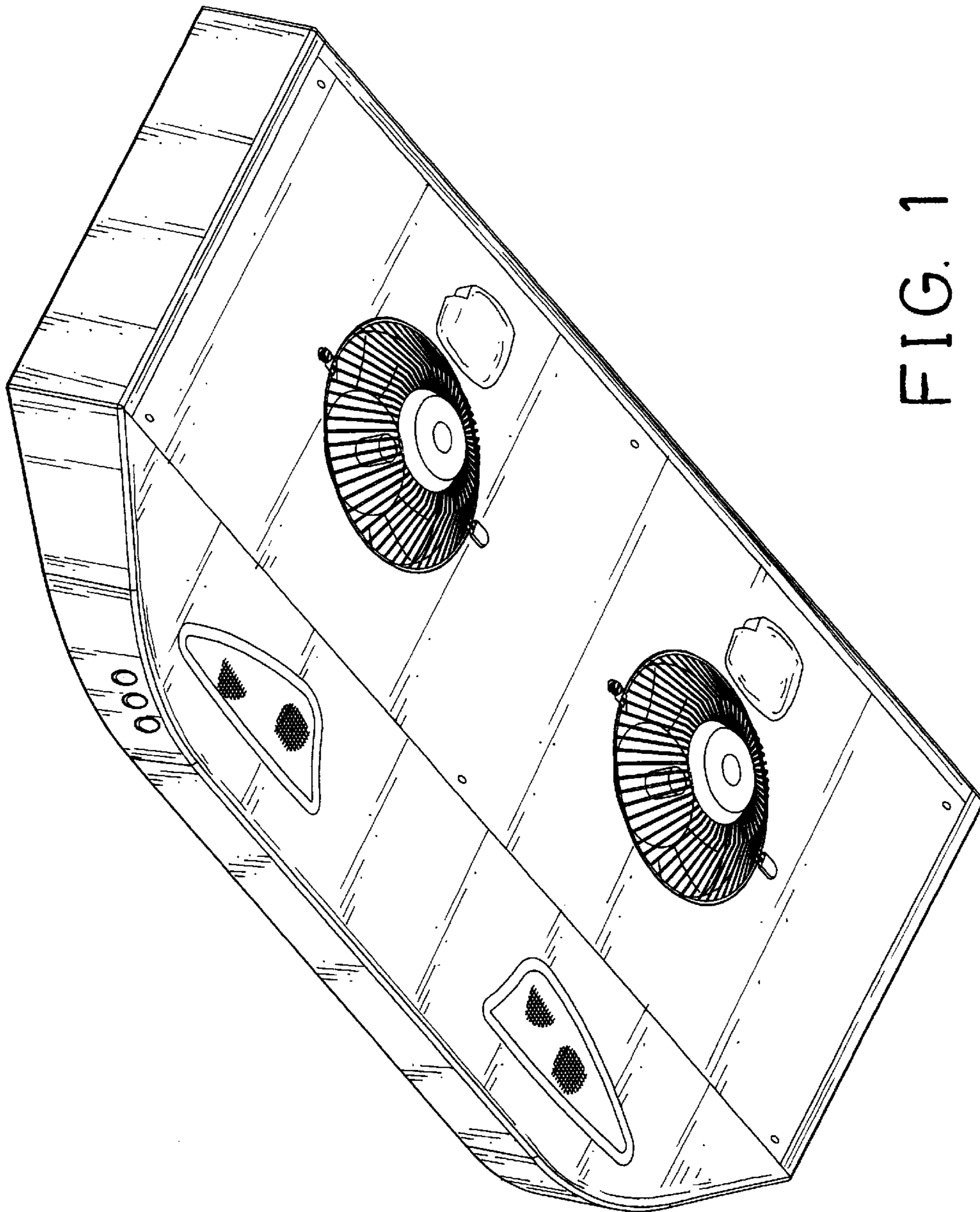


FIG. 1

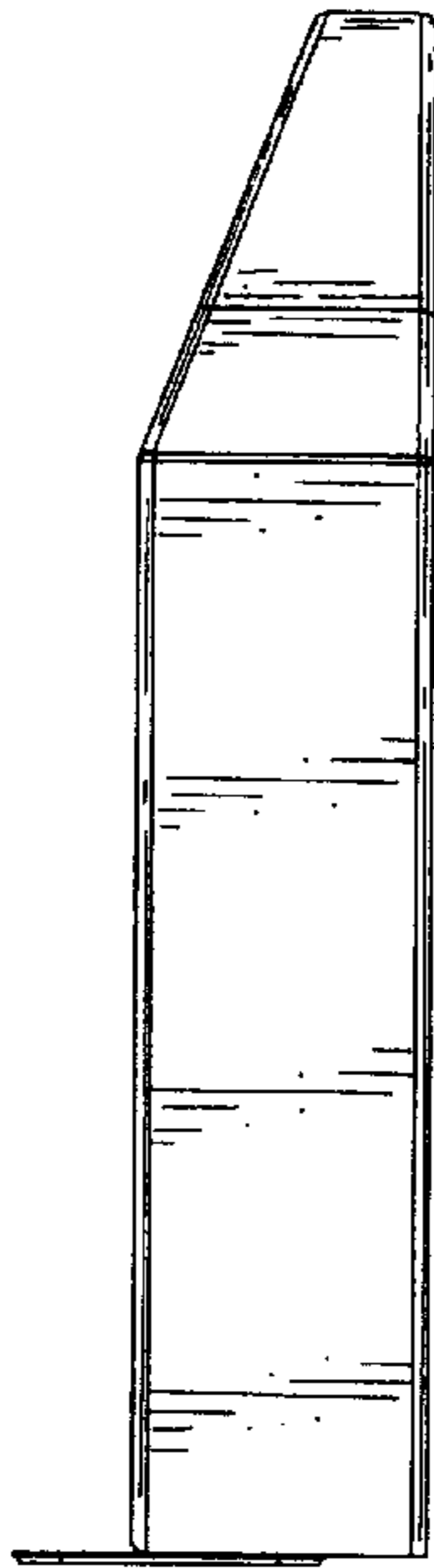


FIG. 6

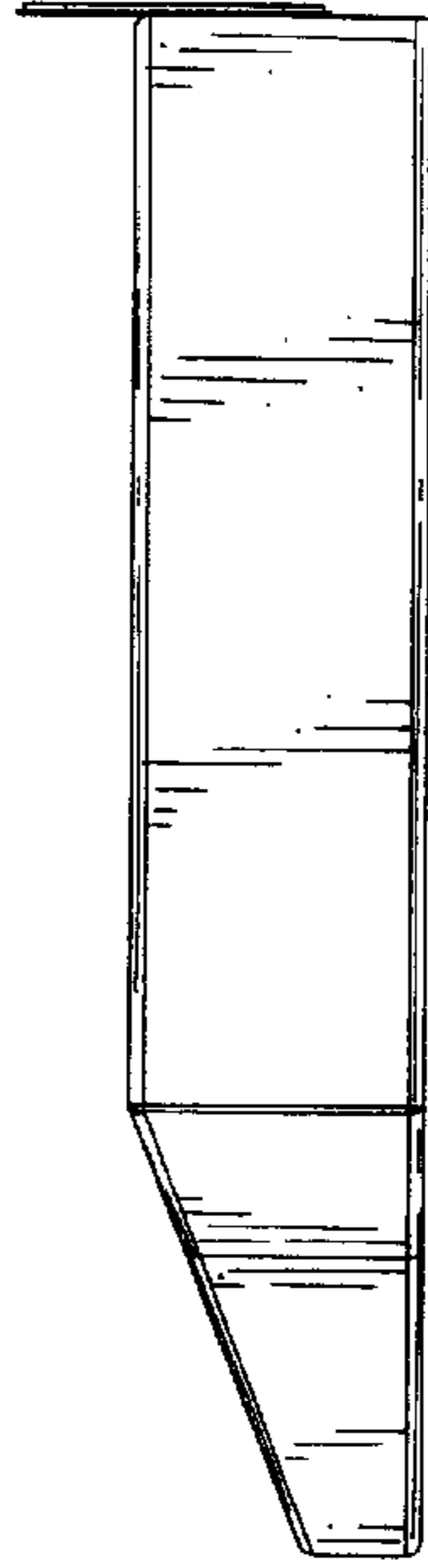


FIG. 7

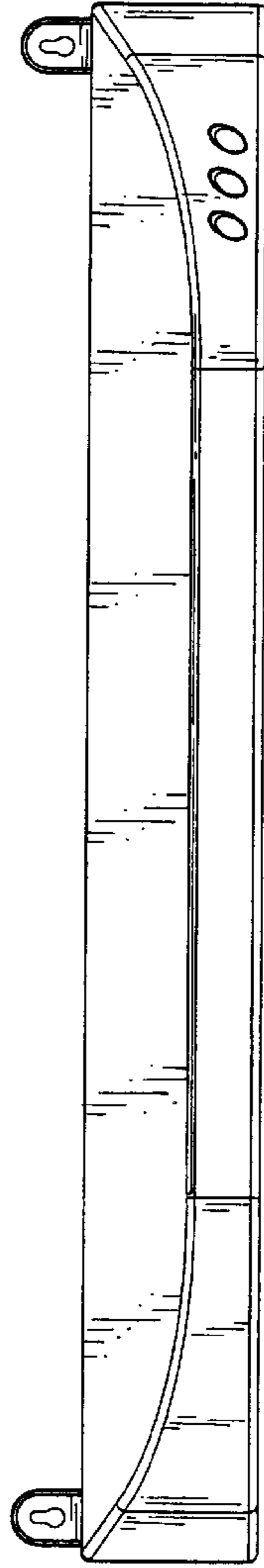


FIG. 2

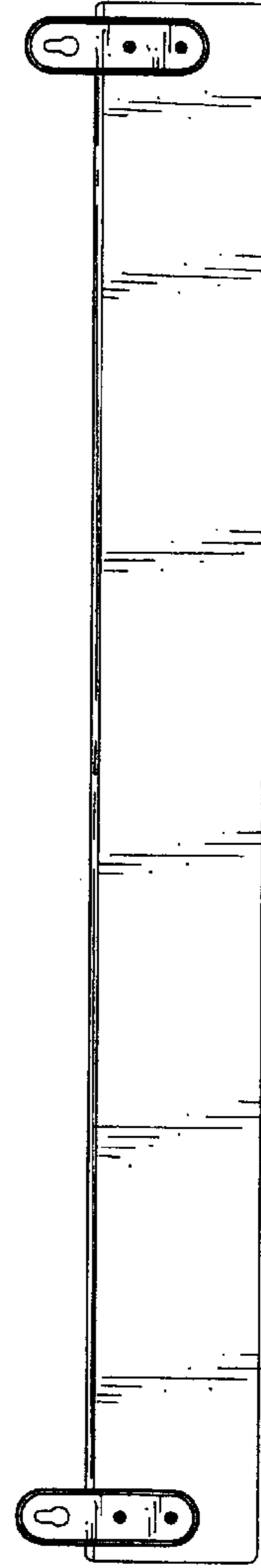


FIG. 3

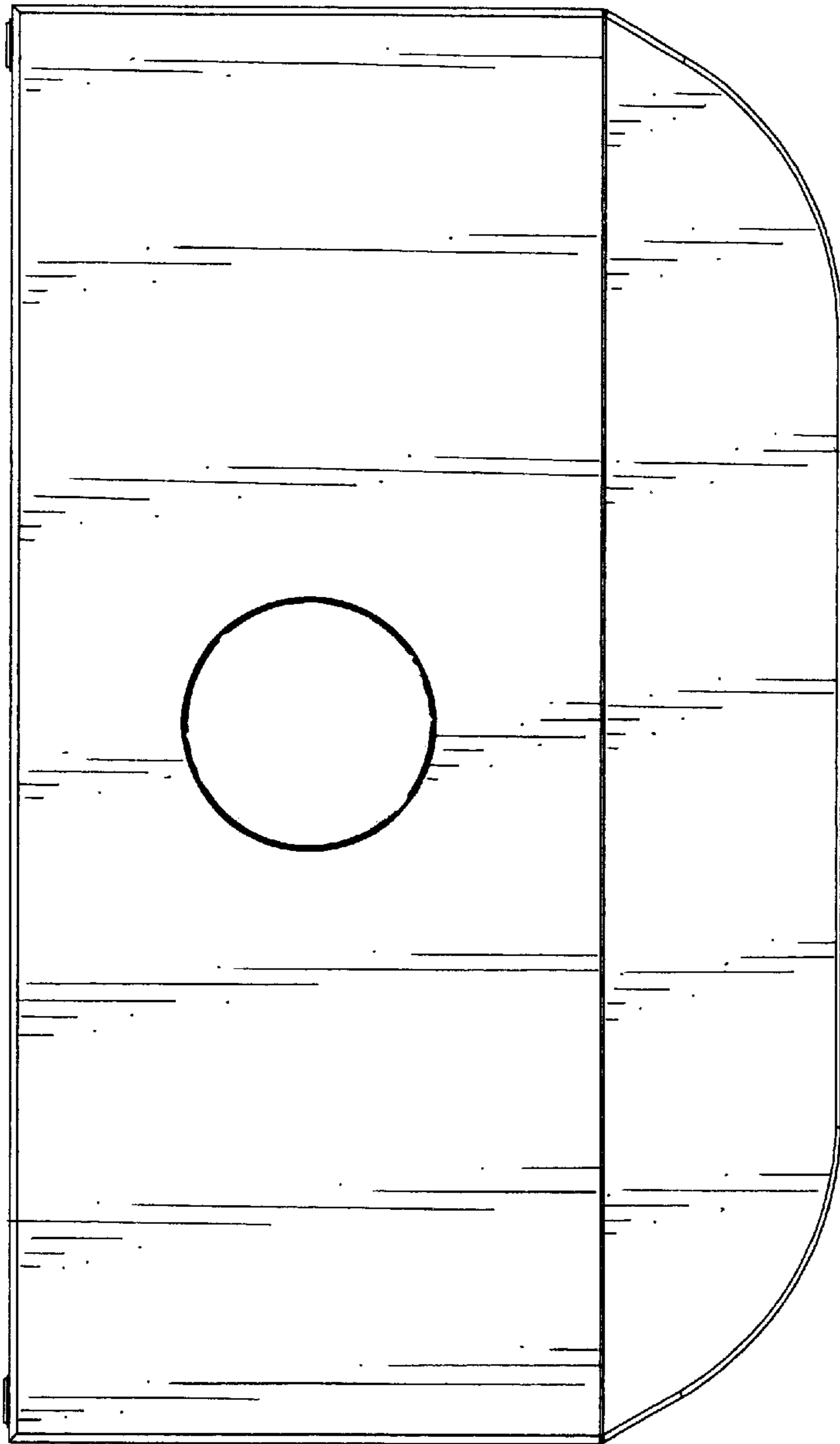


FIG. 4

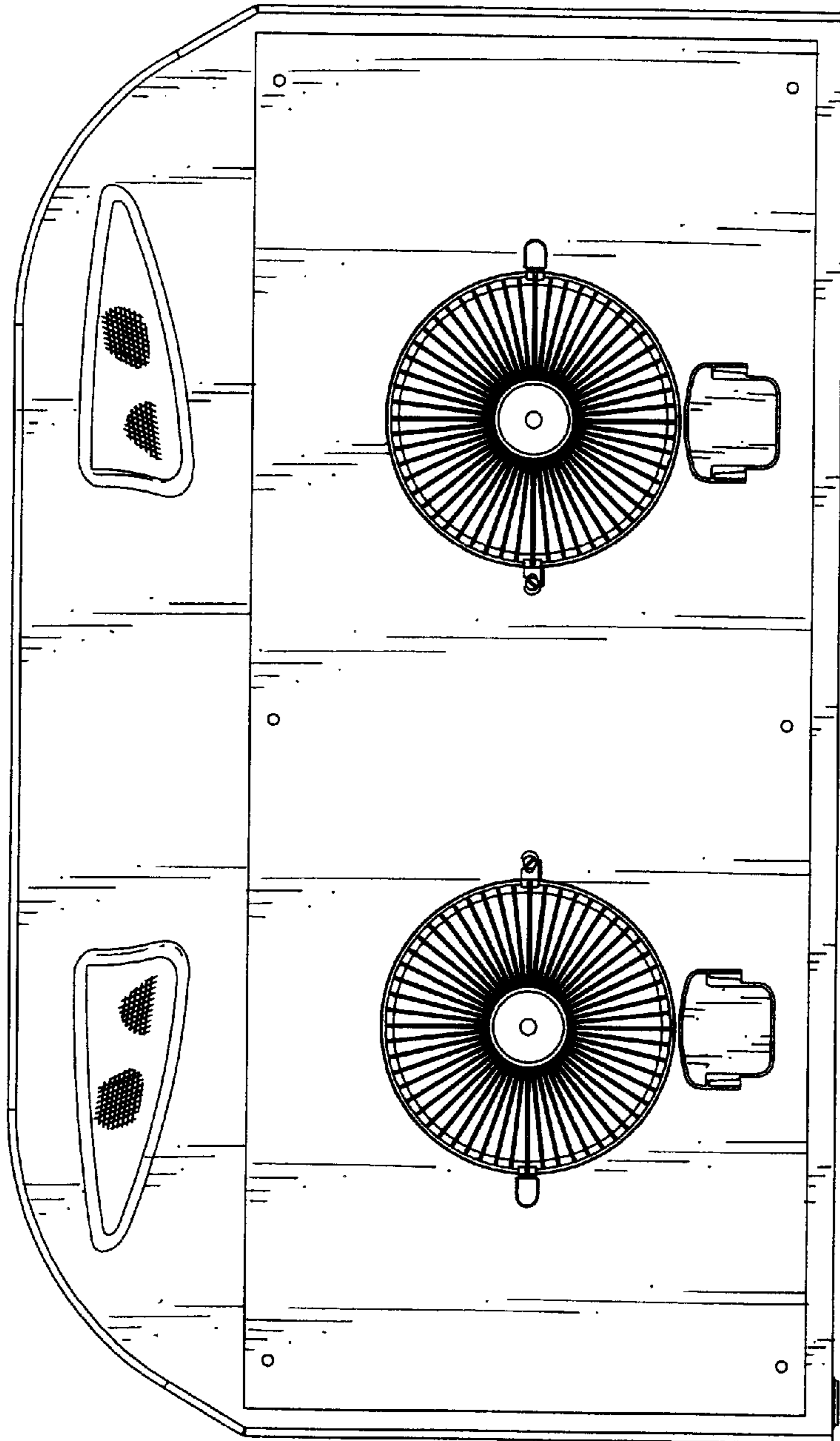


FIG. 5

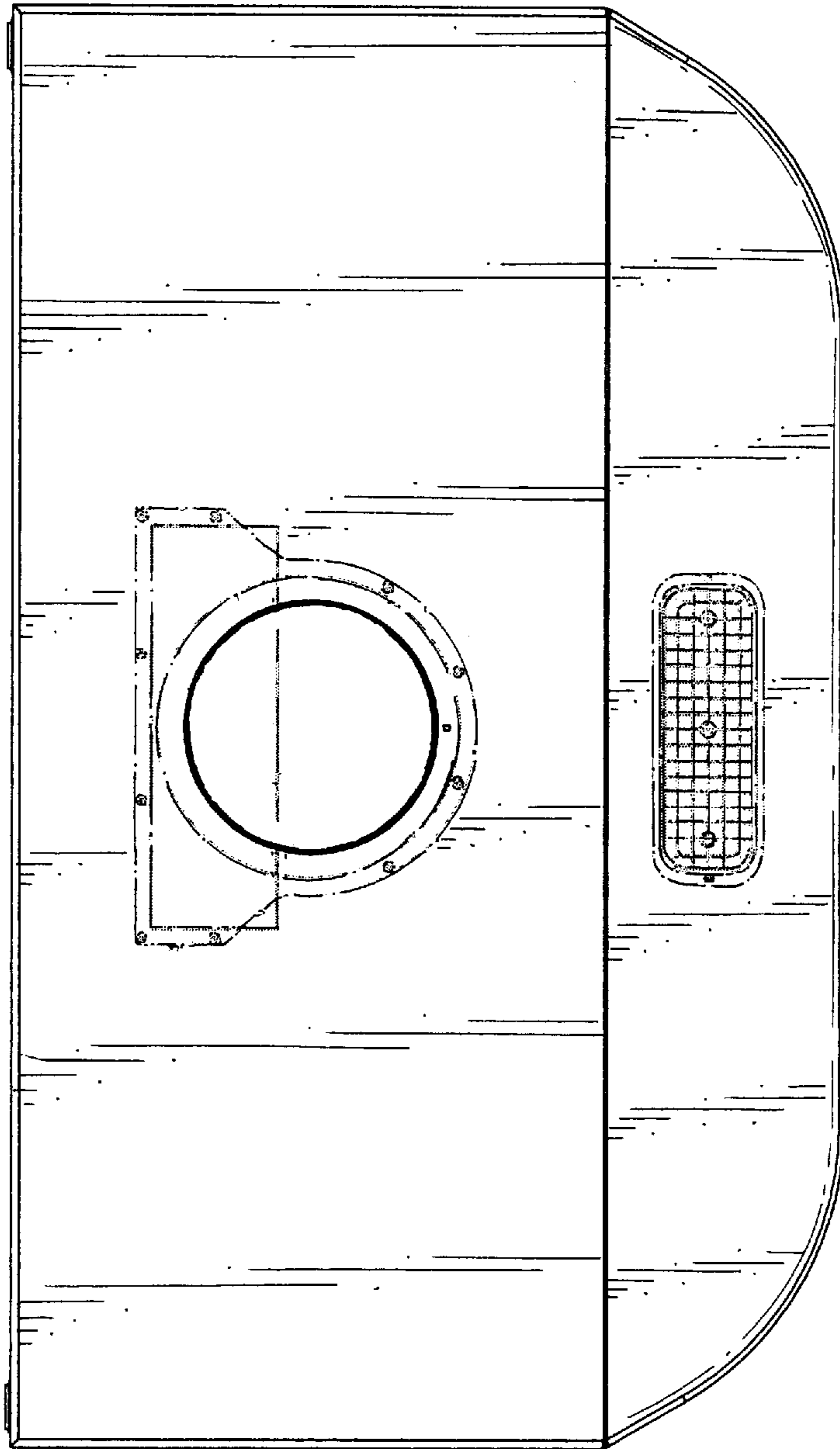


FIG. 8