

US00D535380S

(12) **United States Design Patent**
Naqvi

(10) **Patent No.:** **US D535,380 S**
(45) **Date of Patent:** **** Jan. 16, 2007**

- (54) **AIR FRESHENER IN THE SHAPE OF A FOOTBALL JERSEY**
- (75) Inventor: **Ali Naqvi**, Anaheim, CA (US)
- (73) Assignee: **Fresh Innovations Inc.**, Anaheim, CA (US)
- (**) Term: **14 Years**
- (21) Appl. No.: **29/232,544**
- (22) Filed: **Jun. 21, 2005**
- (51) **LOC (8) Cl.** **28-99**
- (52) **U.S. Cl.** **D23/367**
- (58) **Field of Classification Search** 392/386, 392/390-394, 398, 401, 403, 405-406; 261/DIG. 17, 261/DIG. 65, DIG. 88, DIG. 89; D23/355-369; D11/97, 99, 118; D7/624.1; 239/135-136, 239/34, 35, 56-58, 37, 41, 42, 60
See application file for complete search history.

D505,642 S	5/2005	Puett, III	
D505,643 S	5/2005	Puett, III	
D505,885 S	6/2005	Puett, III	
D505,887 S	6/2005	Puett, III	
D505,888 S	6/2005	Puett, III	
D514,214 S	* 1/2006	Green et al.	D23/366
D514,681 S	* 2/2006	Arnold	D23/366
D514,682 S	* 2/2006	Green et al.	D23/366
D514,683 S	* 2/2006	Green et al.	D23/366
D517,188 S	* 3/2006	Naqvi	D23/367

OTHER PUBLICATIONS

T-shirt shaped Incense from Alibaba web site, wayback machined dated Feb. 10, 2005, 1 pg.*

* cited by examiner

Primary Examiner—Sandra S. Snapp
(74) *Attorney, Agent, or Firm*—Knobbe Martens Olson & Bear LLP

(57) **CLAIM**

The ornamental design for an air freshener in the shape of a football jersey, as shown and described.

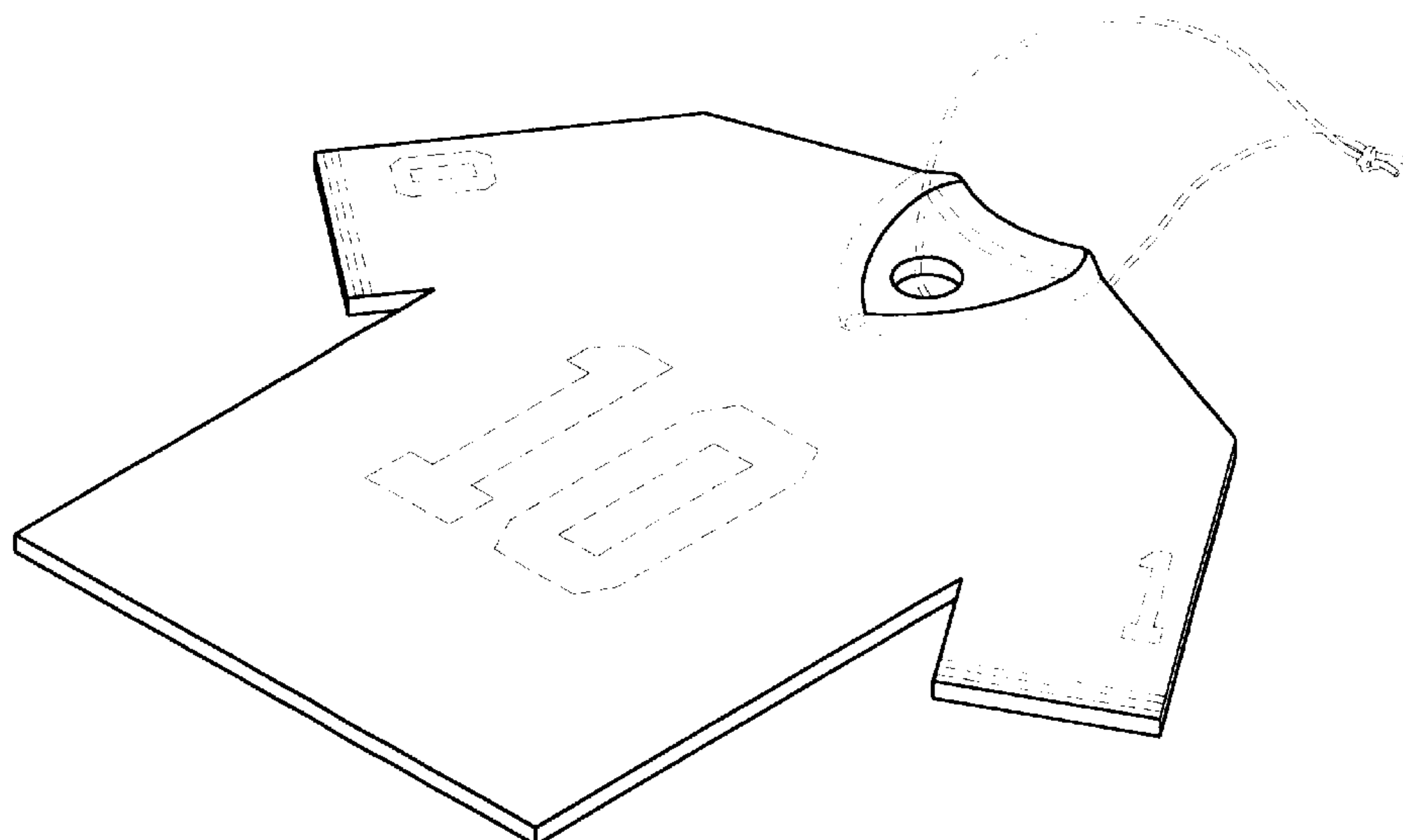
DESCRIPTION

FIG. 1 is a perspective view.
FIG. 2 is a front elevational view of an air freshener in the shape of a football jersey.
FIG. 3 is a rear elevational view of an air freshener in the shape of a football jersey.
FIG. 4 is a top view.
FIG. 5 is a bottom view.
FIG. 6 is a left side view; and,
FIG. 7 is a right side view.
The elements illustrated in dashed lines in the accompanying drawings are considered environmental and do not form a part of the claimed design.

1 Claim, 3 Drawing Sheets

(56) **References Cited**
U.S. PATENT DOCUMENTS

1,683,792 A	9/1928	Naumburg
4,987,610 A	1/1991	Hunt
D321,786 S	11/1991	Kraus
5,175,888 A	1/1993	Clark
D360,651 S	7/1995	Budde et al.
D399,052 S	10/1998	Fritsche
D403,707 S	1/1999	Wyatt et al.
D413,971 S	9/1999	Fritsche
D430,219 S	8/2000	Chagan
D432,225 S	10/2000	Fritsche
D439,965 S	4/2001	Aiken
D440,297 S	4/2001	Aiken
D440,646 S	4/2001	Aiken
D441,857 S	5/2001	Aiken
D498,174 S	11/2004	Puett, III



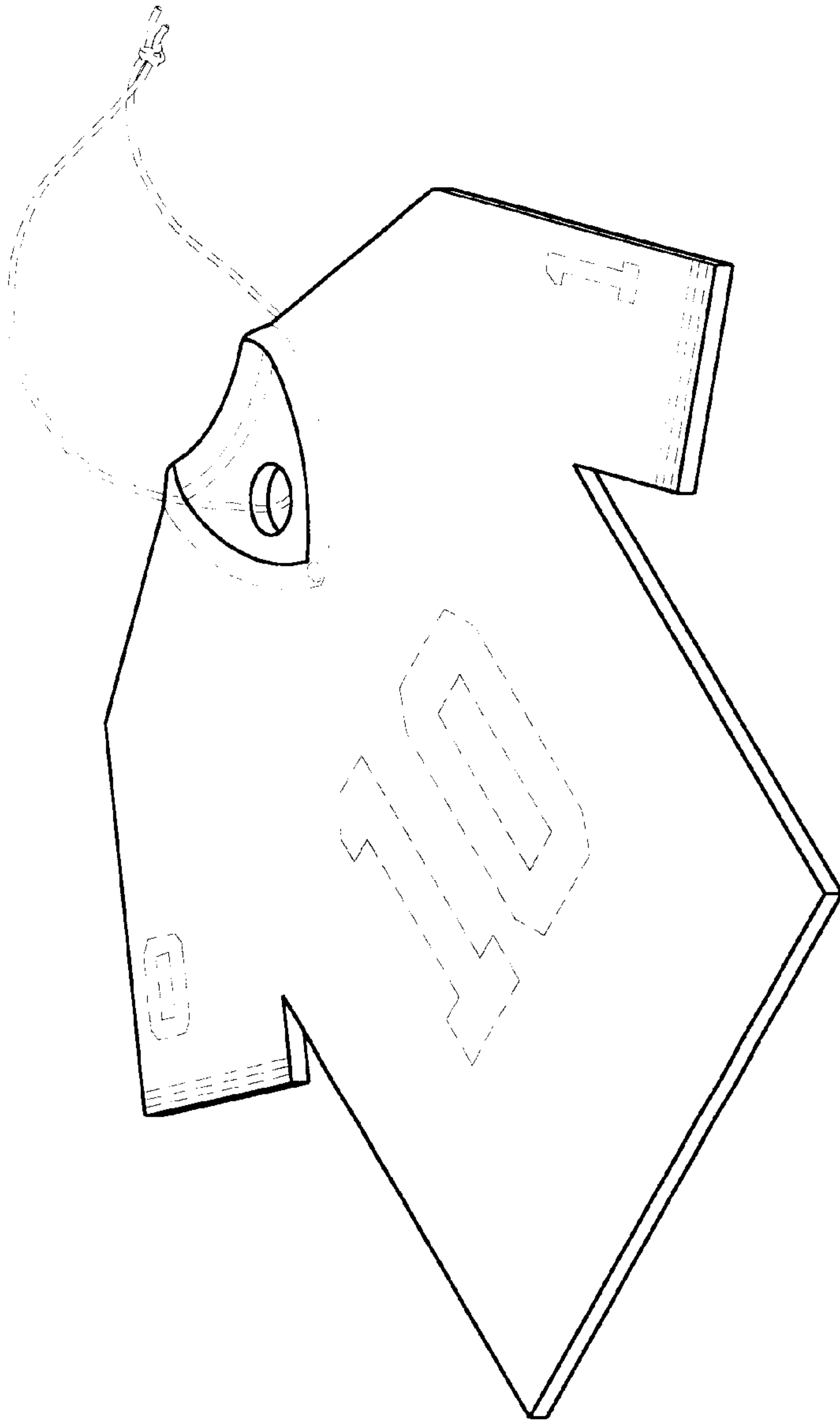


FIG. 1

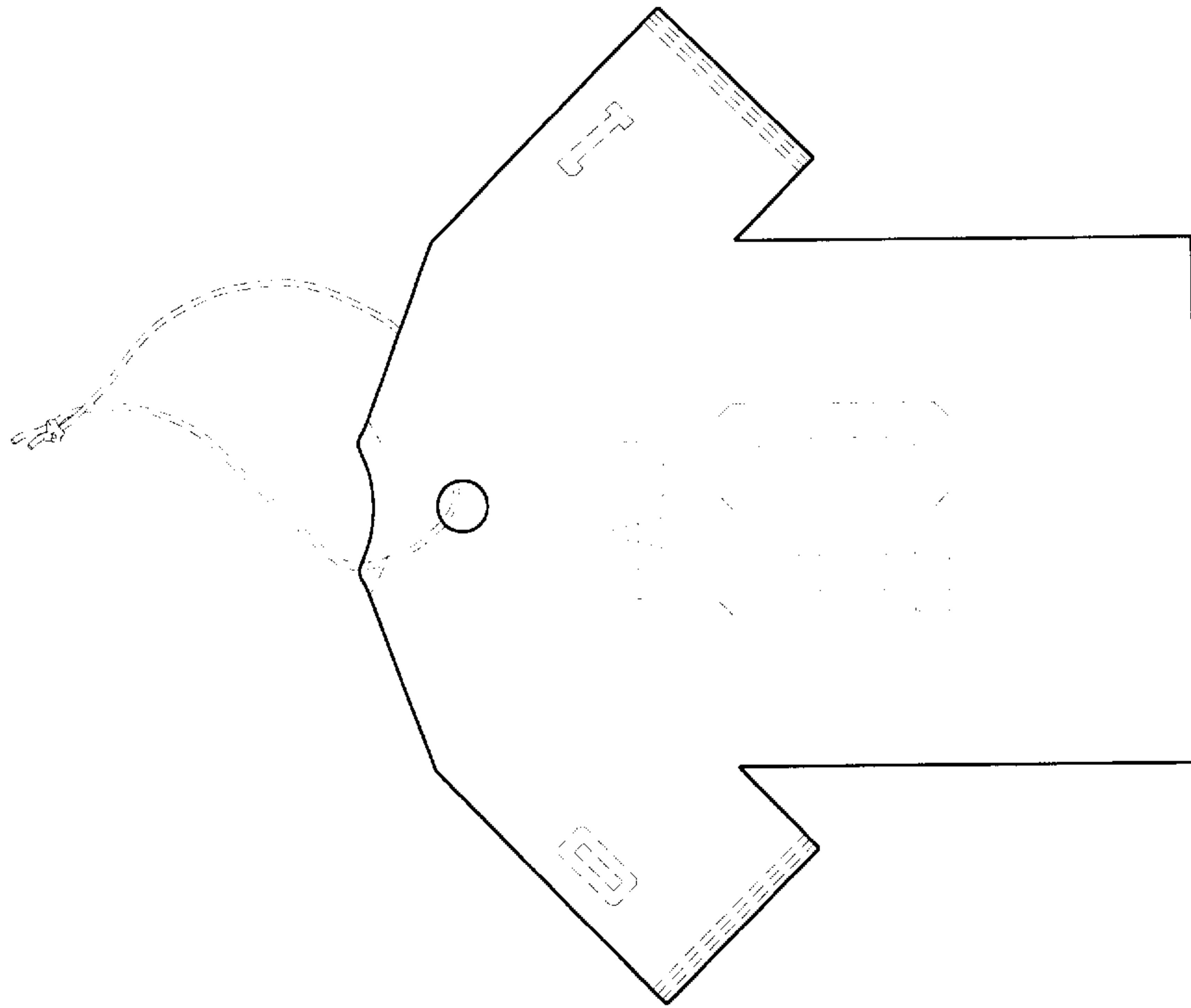


FIG. 3

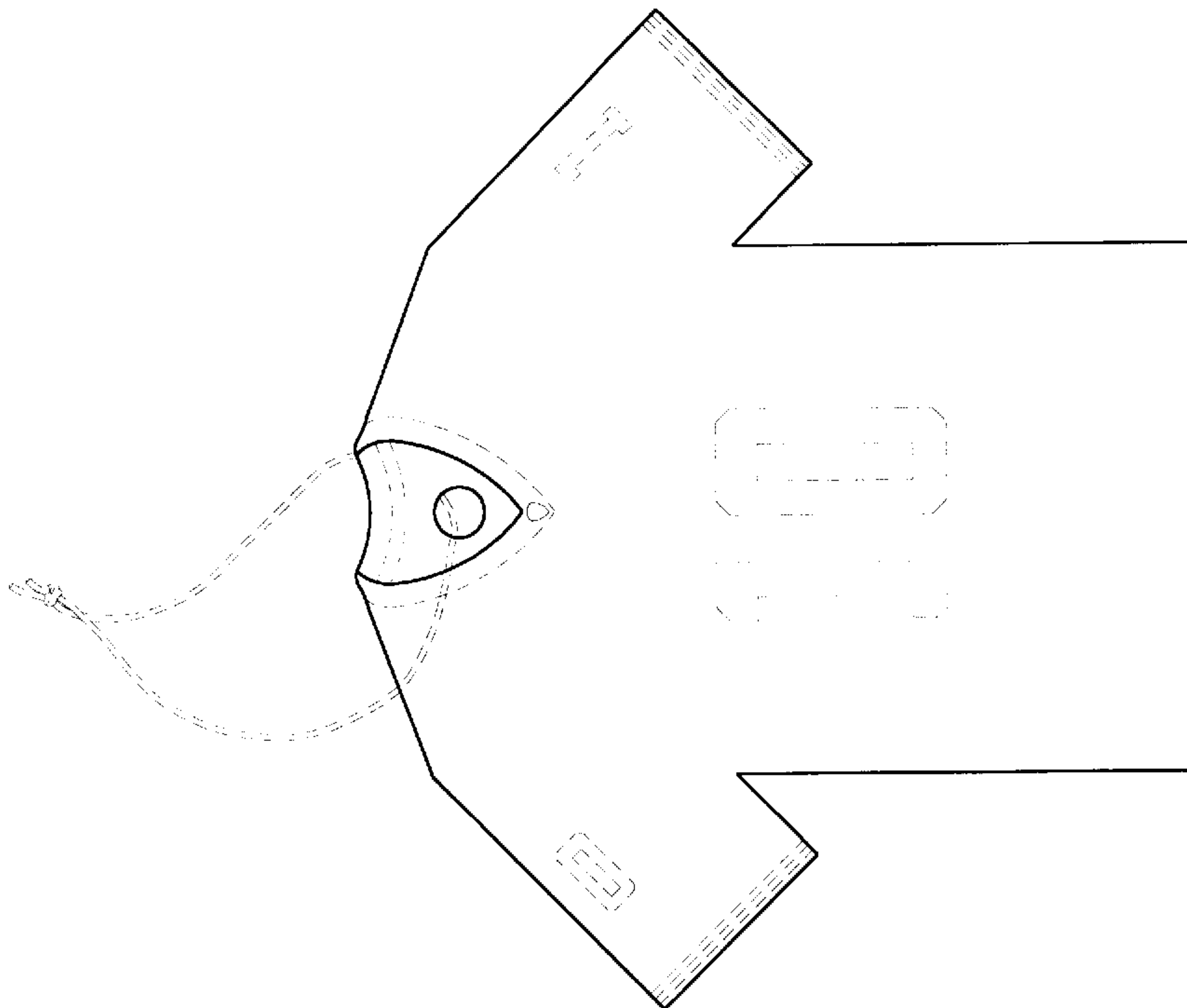


FIG. 2

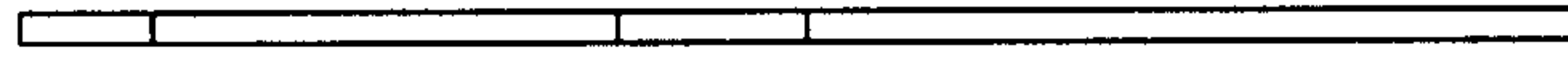


FIG. 7

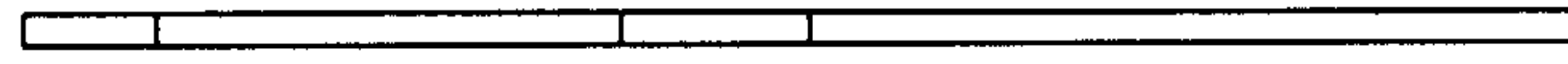


FIG. 6



FIG. 4



FIG. 5