



US00D535378S

(12) **United States Design Patent**
Caserta et al.

(10) **Patent No.:** **US D535,378 S**

(45) **Date of Patent:** **** Jan. 16, 2007**

(54) **DIFFUSION EVAPORATOR FOR ACTIVE SUBSTANCES**

(75) Inventors: **Andrea Caserta**, Barcelona (ES);
Ruben Garcia Fabrega, Barcelona (ES); **Fernando Mayor Sans**, Barcelona (ES)

(73) Assignee: **Zobebe Espana S.A.** (ES)

(**) Term: **14 Years**

(21) Appl. No.: **29/243,974**

(22) Filed: **Dec. 2, 2005**

(51) **LOC (8) Cl.** **28-99**

(52) **U.S. Cl.** **D23/366**

(58) **Field of Classification Search** 392/386,
392/390-394, 398, 401, 403, 405-406; 239/135-136,
239/34, 35, 56-58, 37, 41, 42, 60; 261/DIG. 17,
261/DIG. 65, DIG. 88, DIG. 89; D23/355-369
See application file for complete search history.

(56) **References Cited**

U.S. PATENT DOCUMENTS

6,078,728 A * 6/2000 O'Rourke et al. 392/390
D465,019 S * 10/2002 Wu D23/366
D473,638 S * 4/2003 Cruver, IV D23/366

D480,792 S * 10/2003 Millan D23/366
D481,787 S * 11/2003 Millan D23/366
D485,340 S * 1/2004 Wu D23/366
D485,341 S * 1/2004 Wu D23/366
D501,921 S * 2/2005 Caserta et al. D23/366
D508,558 S * 8/2005 Wolpert et al. D23/366
D516,692 S * 3/2006 Caserta et al. D23/366
D519,622 S * 4/2006 Cocchi D23/366

* cited by examiner

Primary Examiner—Sandra S. Snapp

(74) *Attorney, Agent, or Firm*—Ostrolenk, Faber, Gerb & Soffen, LLP

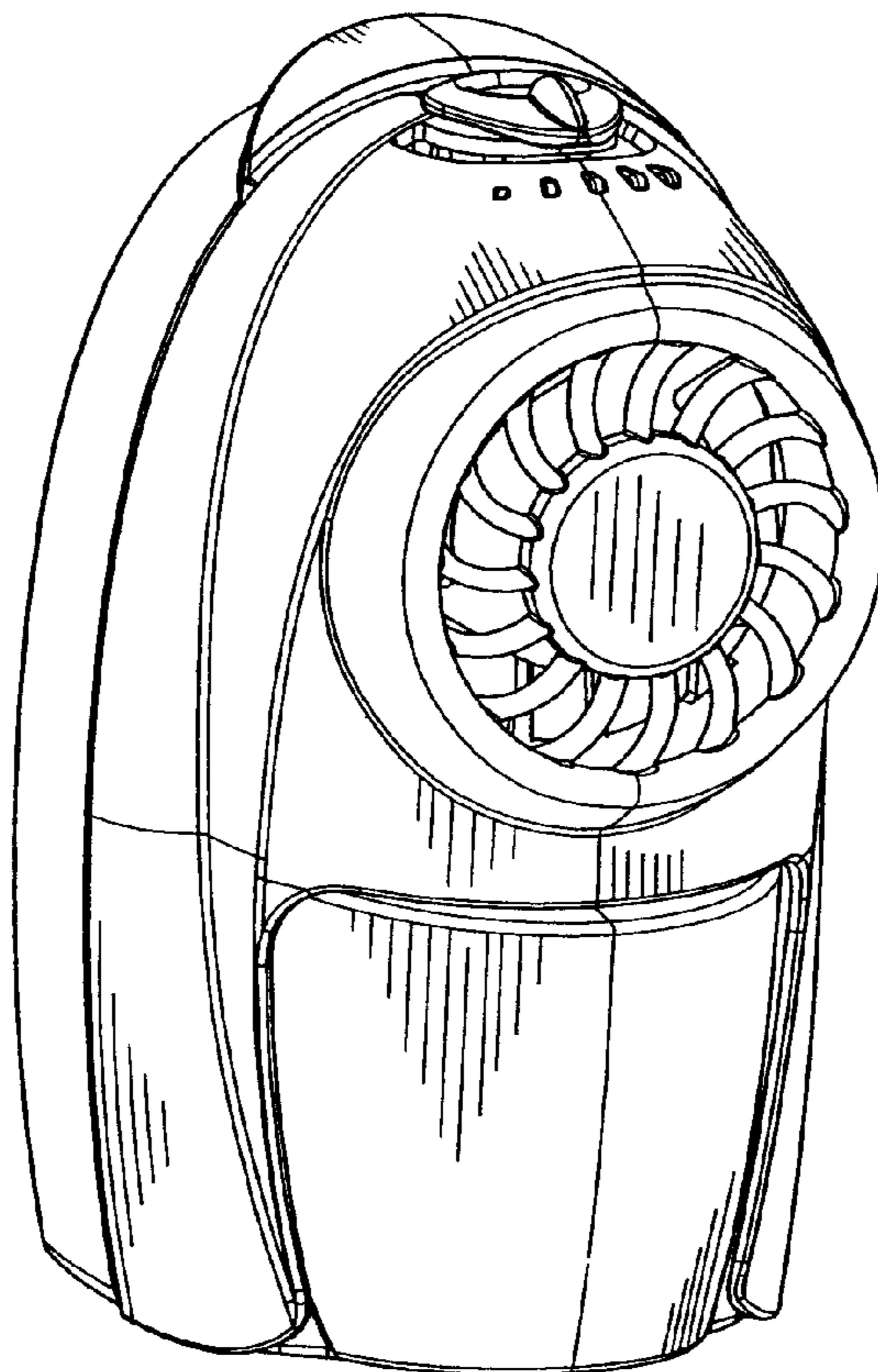
(57) **CLAIM**

The ornamental design for a diffusion evaporator for active substances, as shown.

DESCRIPTION

FIG. 1 is a front perspective view of a diffusion evaporator for active substances showing the new design; FIG. 2 is a rear perspective view thereof; FIG. 3 is a front view thereof; FIG. 4 is a top view thereof; FIG. 5 is a left side view thereof; FIG. 6 is a rear view thereof; and, FIG. 7 is a right side view thereof.

1 Claim, 7 Drawing Sheets



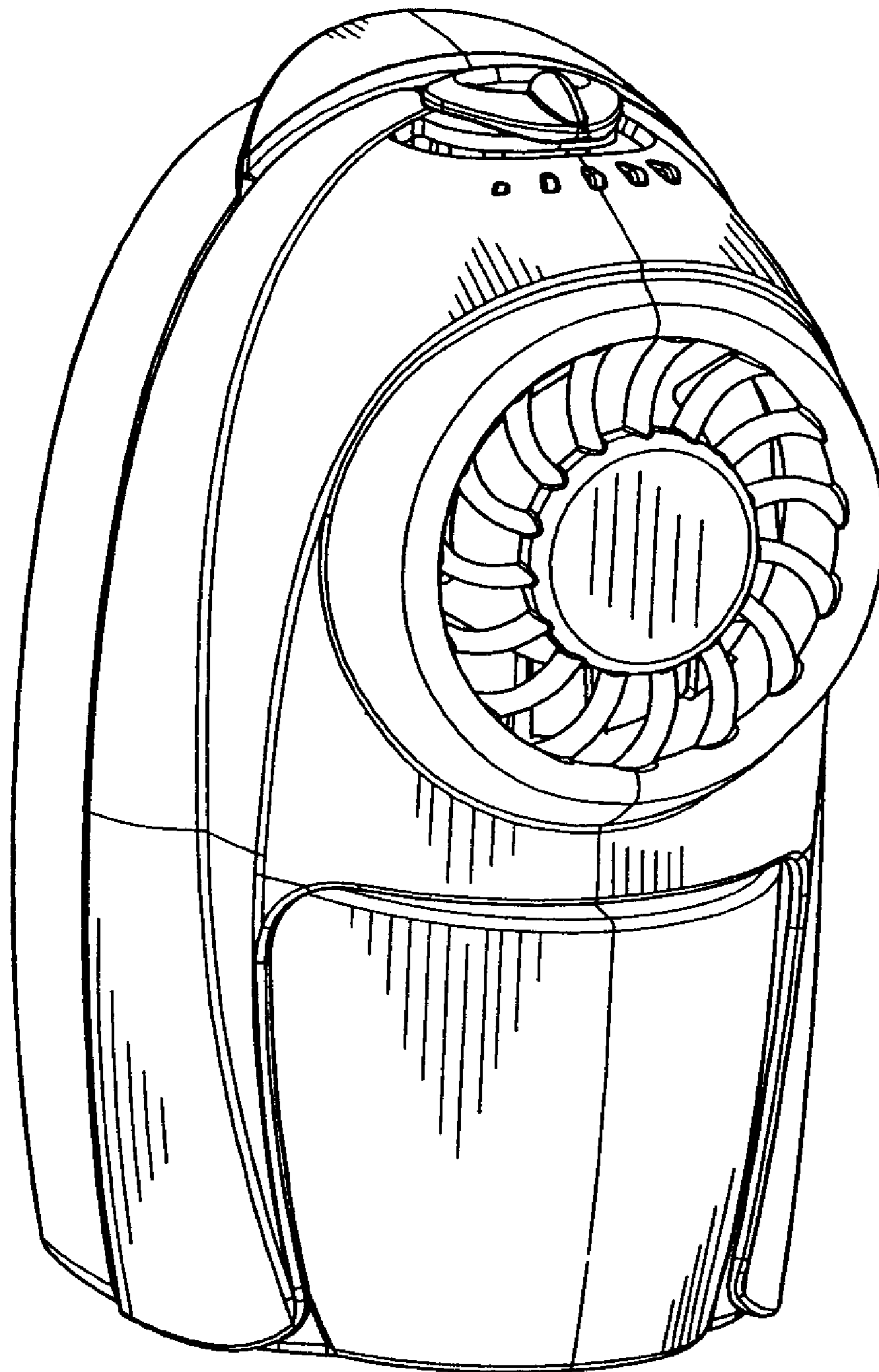


FIG. 1

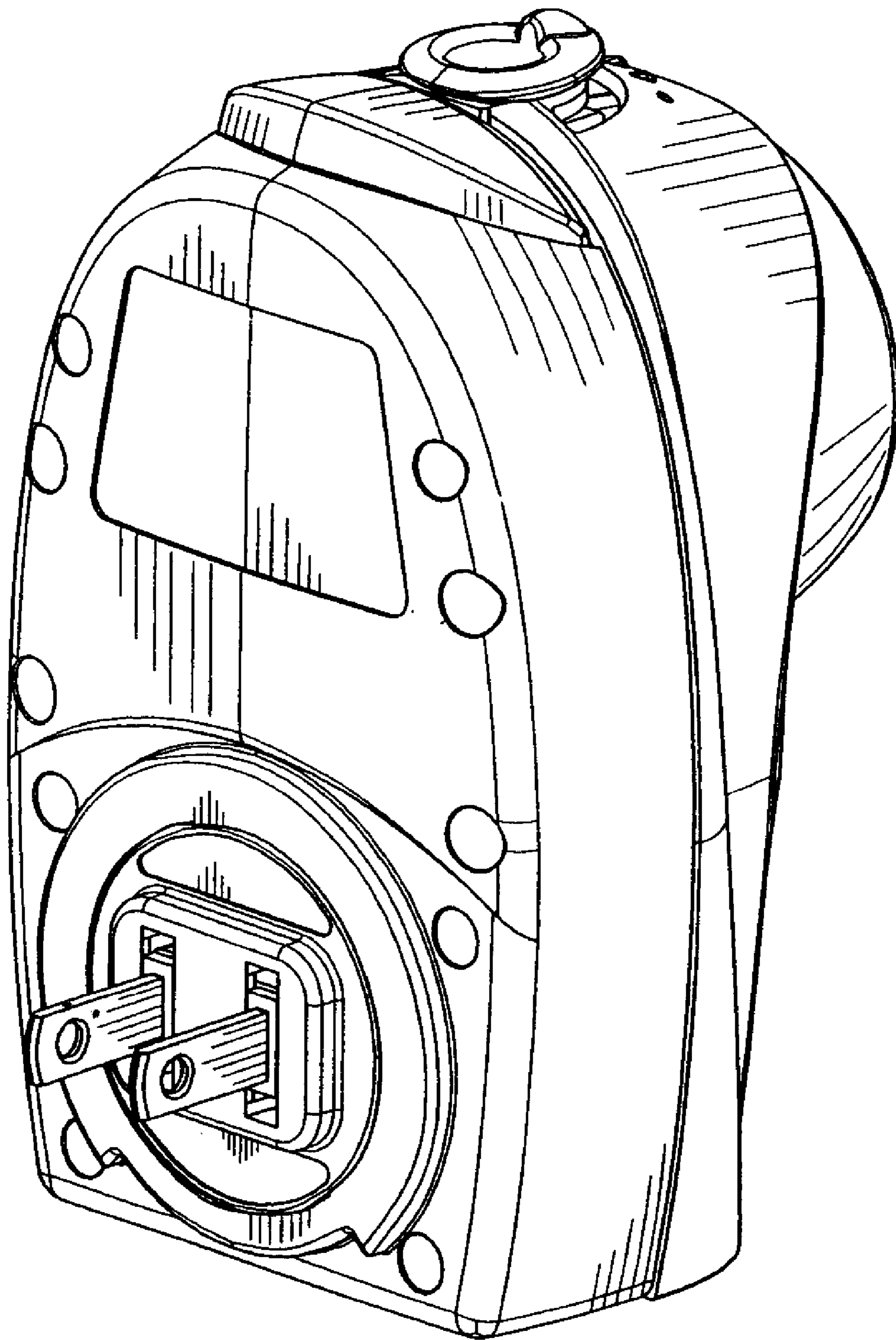


FIG. 2

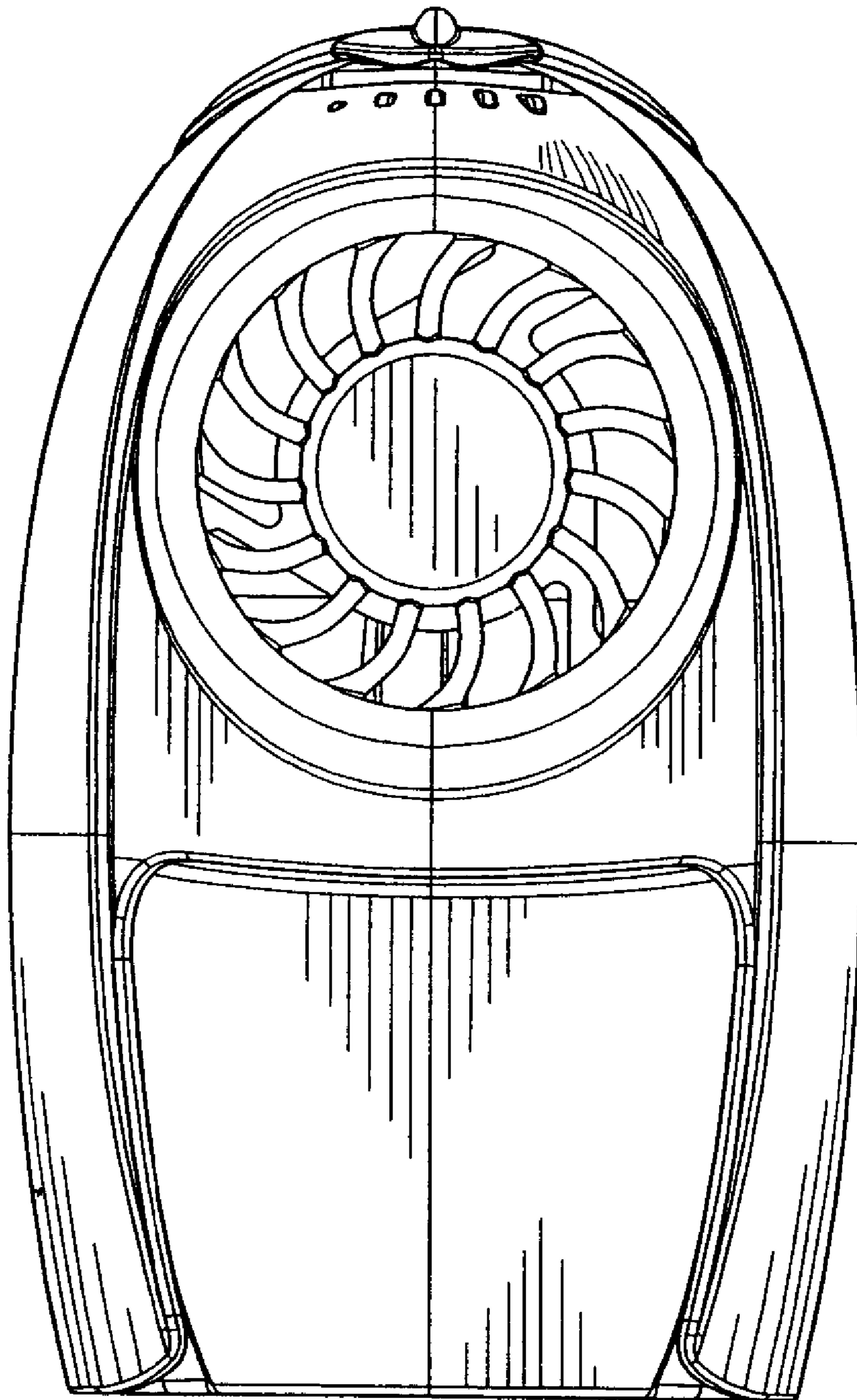


FIG. 3

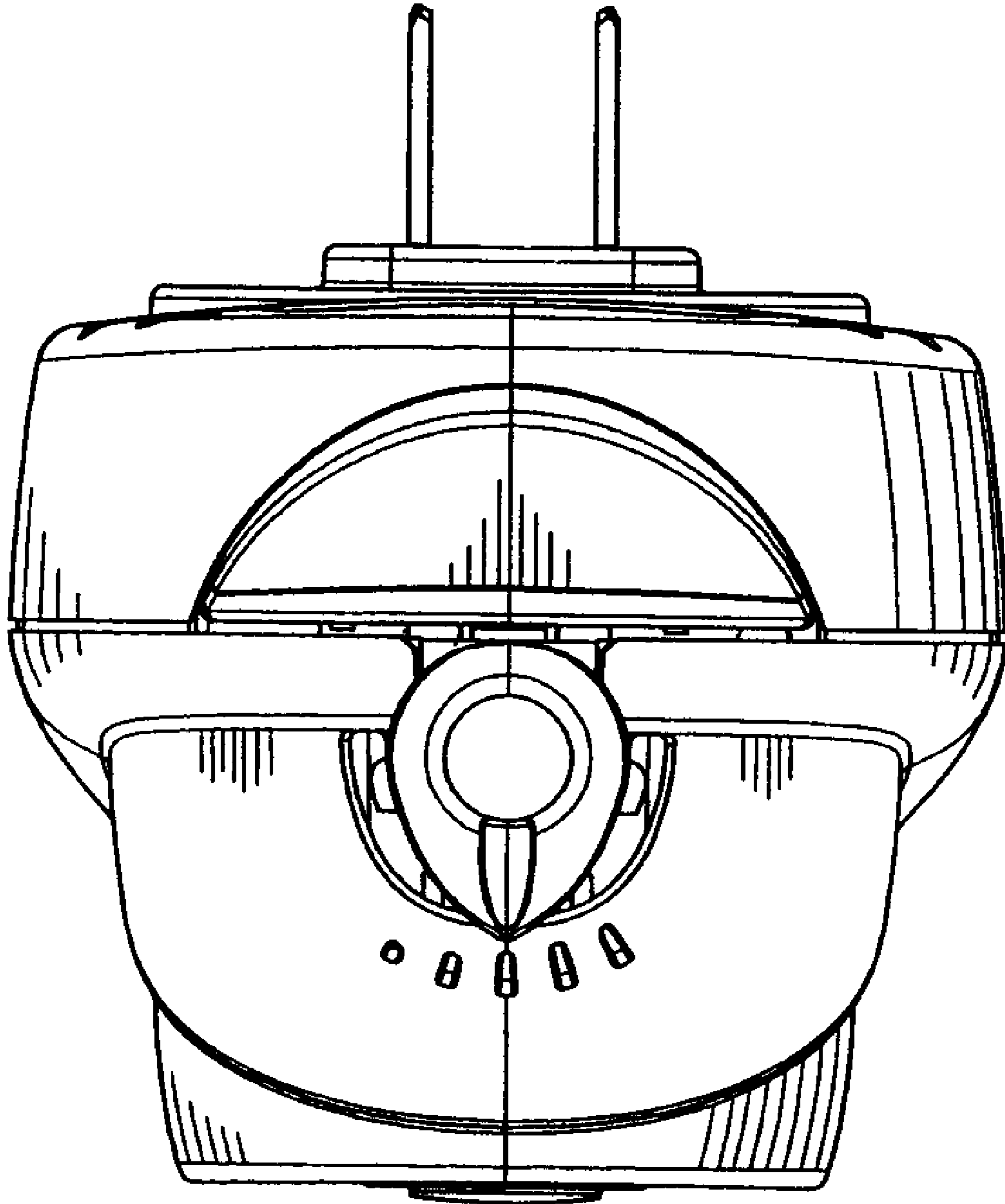


FIG. 4

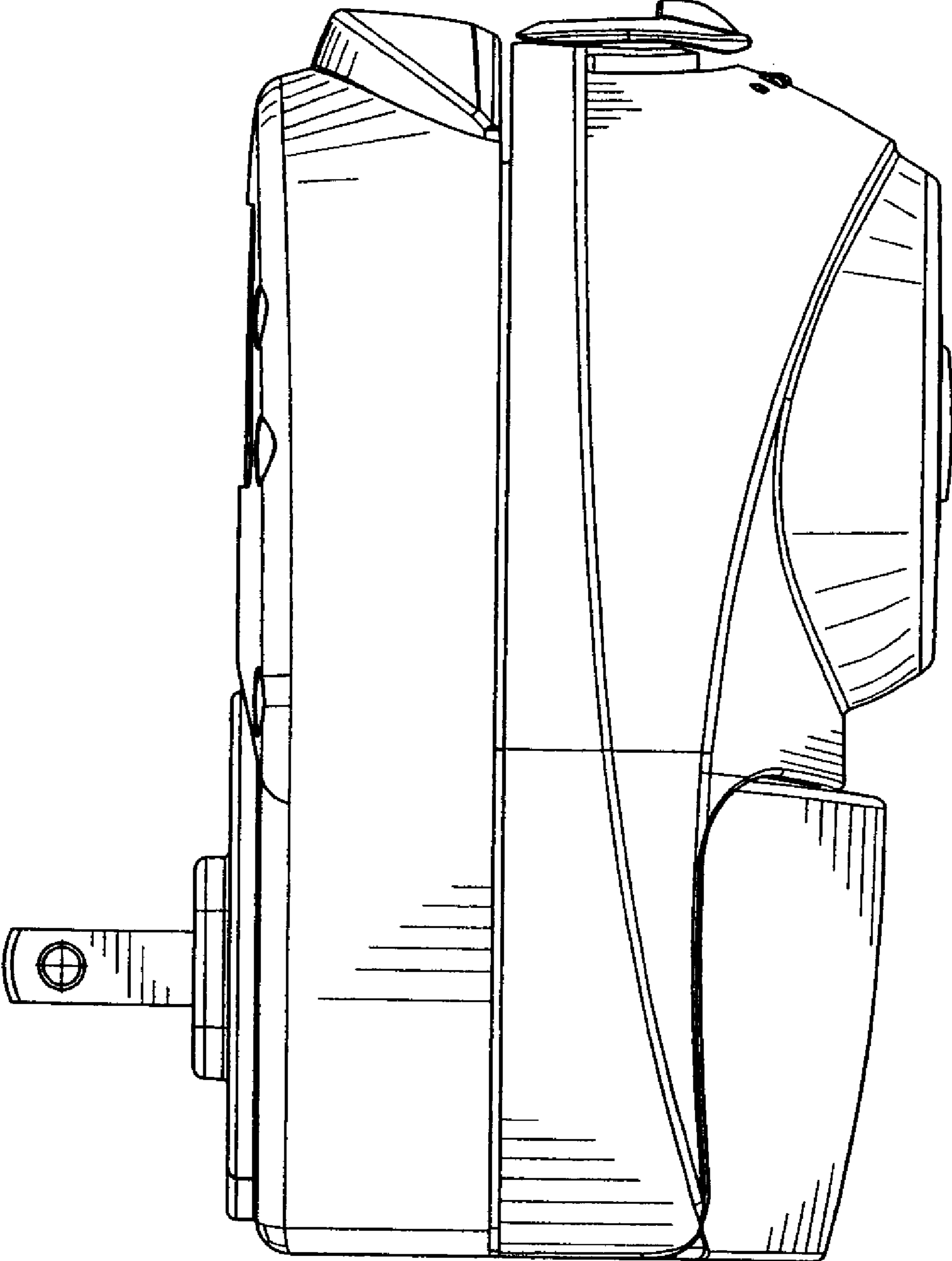


FIG. 5

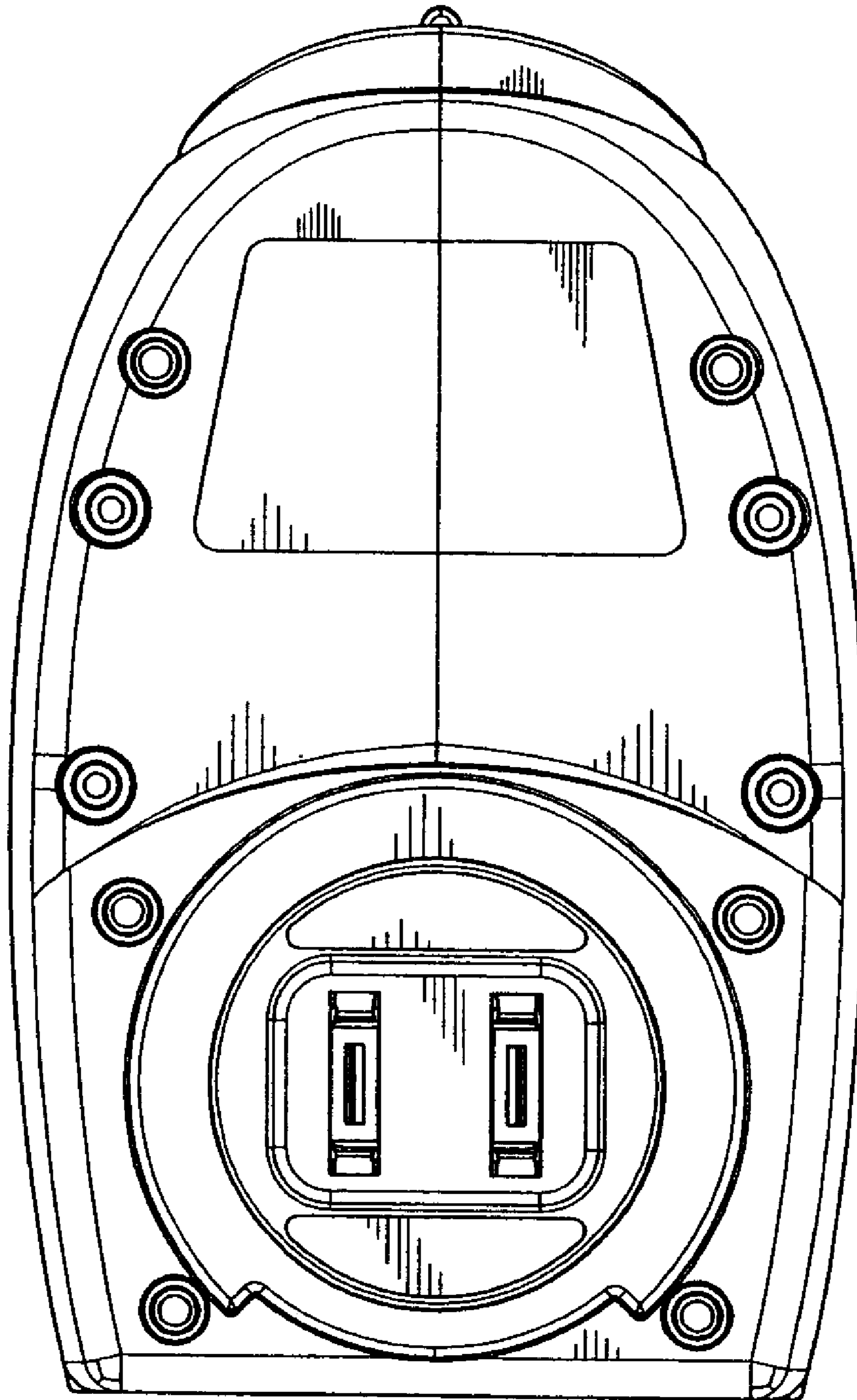


FIG. 6

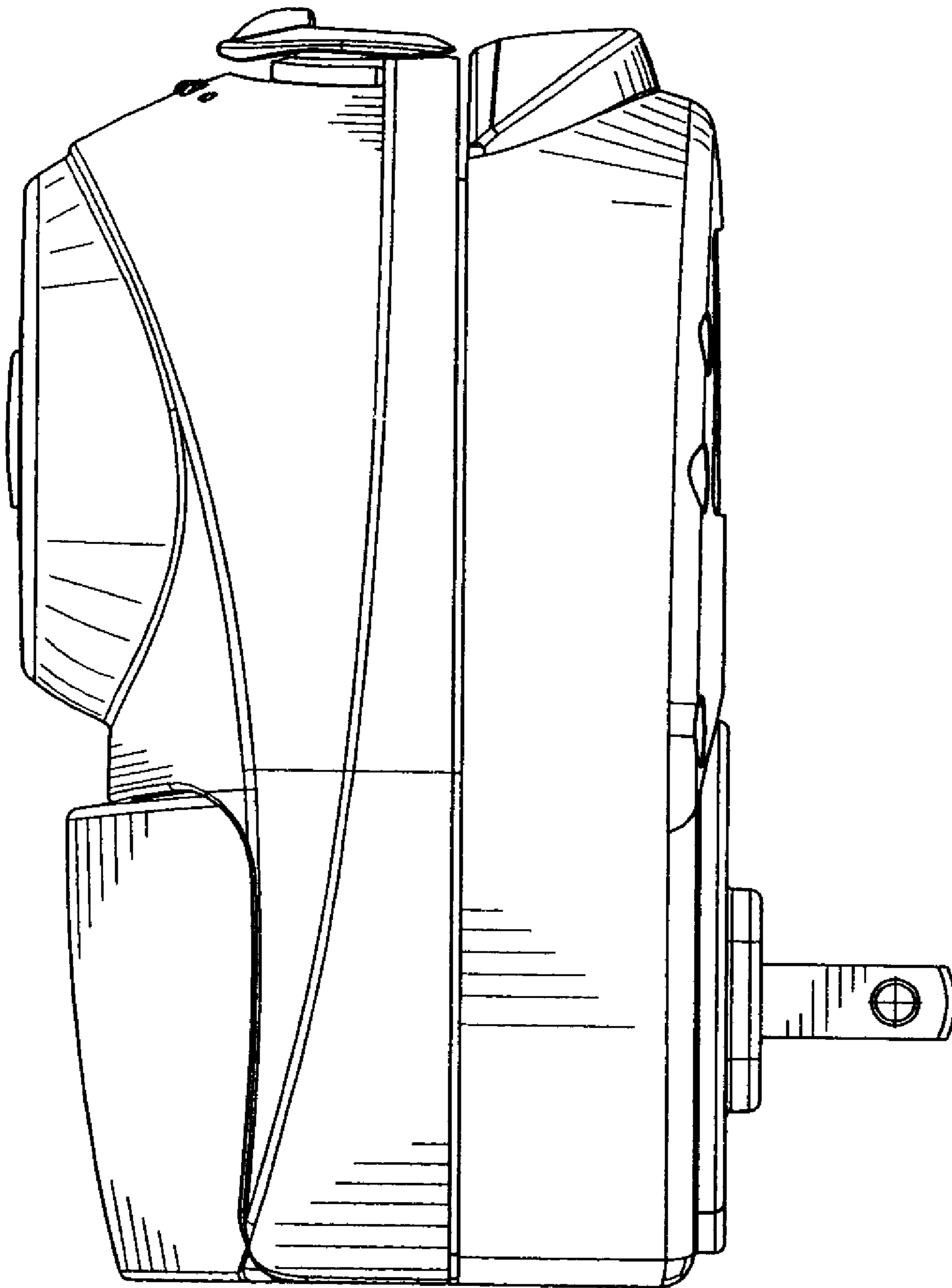


FIG. 7