



US00D535377S

(12) **United States Design Patent**  
**Caserta et al.**

(10) **Patent No.:** **US D535,377 S**

(45) **Date of Patent:** **\*\* Jan. 16, 2007**

(54) **DIFFUSION EVAPORATOR FOR ACTIVE SUBSTANCES**

(75) Inventors: **Andrea Caserta**, Barcelona (ES);  
**Ruben Garcia Fabrega**, Barcelona (ES); **Fernando Mayor Sans**, Barcelona (ES)

(73) Assignee: **Zobebe Espana S.A.** (ES)

(\*\*) Term: **14 Years**

(21) Appl. No.: **29/243,966**

(22) Filed: **Dec. 2, 2005**

(51) **LOC (8) Cl.** ..... **28-99**

(52) **U.S. Cl.** ..... **D23/366**

(58) **Field of Classification Search** ..... 392/386,  
392/390-394, 398, 401, 403, 405-406; 239/135-136,  
239/34, 35, 56-58, 37, 41, 42, 60; 261/DIG. 17,  
261/DIG. 65, DIG. 88, DIG. 89; D23/355-369  
See application file for complete search history.

(56) **References Cited**

**U.S. PATENT DOCUMENTS**

6,078,728 A \* 6/2000 O'Rourke et al. .... 392/390  
D465,019 S \* 10/2002 Wu ..... D23/366  
D473,638 S \* 4/2003 Cruver, IV ..... D23/366

D480,792 S \* 10/2003 Millan ..... D23/366  
D481,787 S \* 11/2003 Millan ..... D23/366  
D485,340 S \* 1/2004 Wu ..... D23/366  
D485,341 S \* 1/2004 Wu ..... D23/366  
D501,921 S \* 2/2005 Caserta et al. .... D23/366  
D508,558 S \* 8/2005 Wolpert et al. .... D23/366  
D516,692 S \* 3/2006 Caserta et al. .... D23/366  
D519,622 S \* 4/2006 Cocchi ..... D23/366

\* cited by examiner

*Primary Examiner*—Sandra S. Snapp

(74) *Attorney, Agent, or Firm*—Ostrolenk, Faber, Gerb & Soffen, LLP

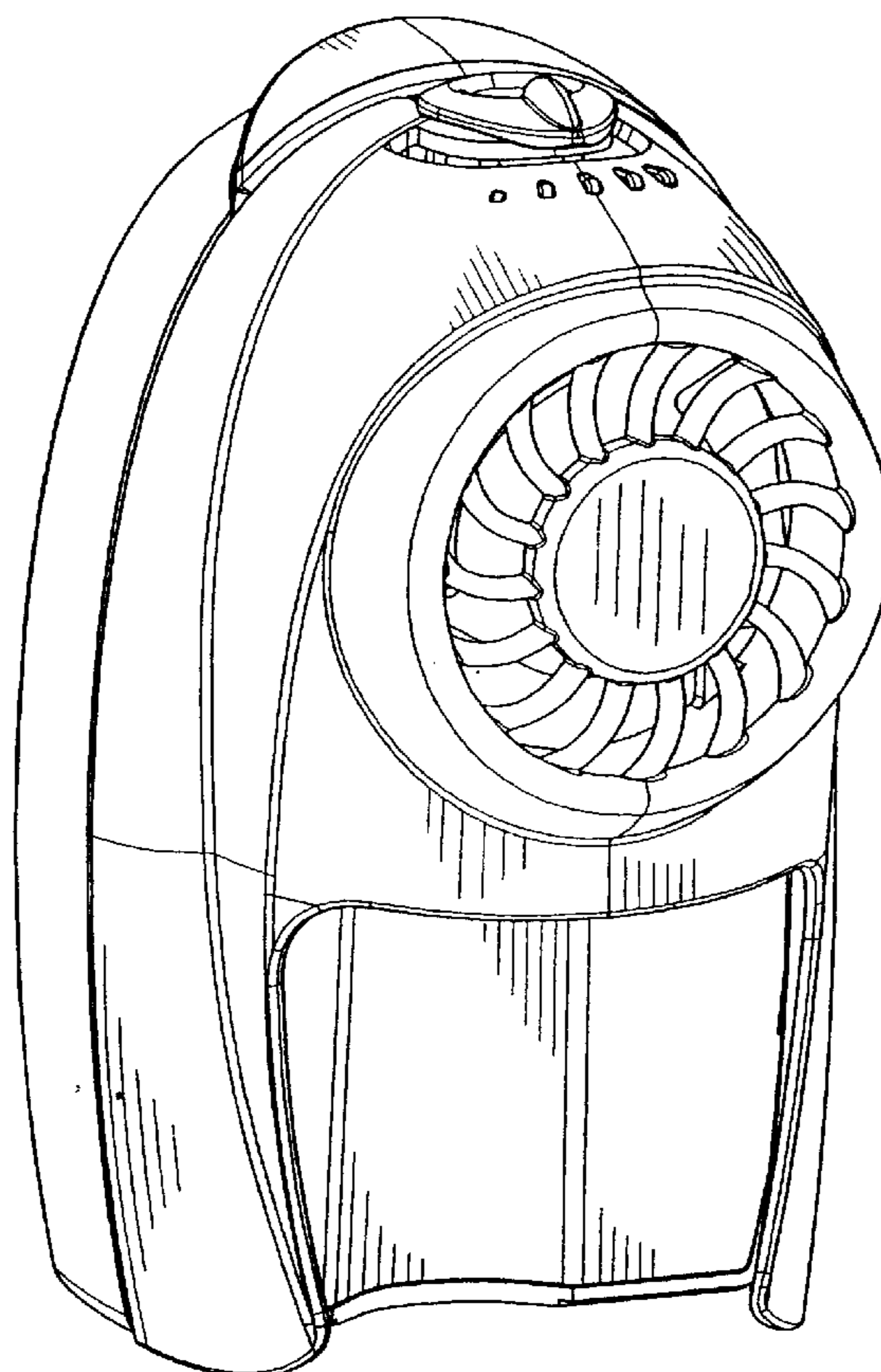
(57) **CLAIM**

The ornamental design for a diffusion evaporator for active substances, as shown.

**DESCRIPTION**

FIG. 1 is a front perspective view of a diffusion evaporator for active substances showing the new design; FIG. 2 is a rear perspective view thereof; FIG. 3 is a front view thereof; FIG. 4 is a top view thereof; FIG. 5 is a left side view thereof; FIG. 6 is a rear view thereof; and, FIG. 7 is a right side view thereof.

**1 Claim, 7 Drawing Sheets**



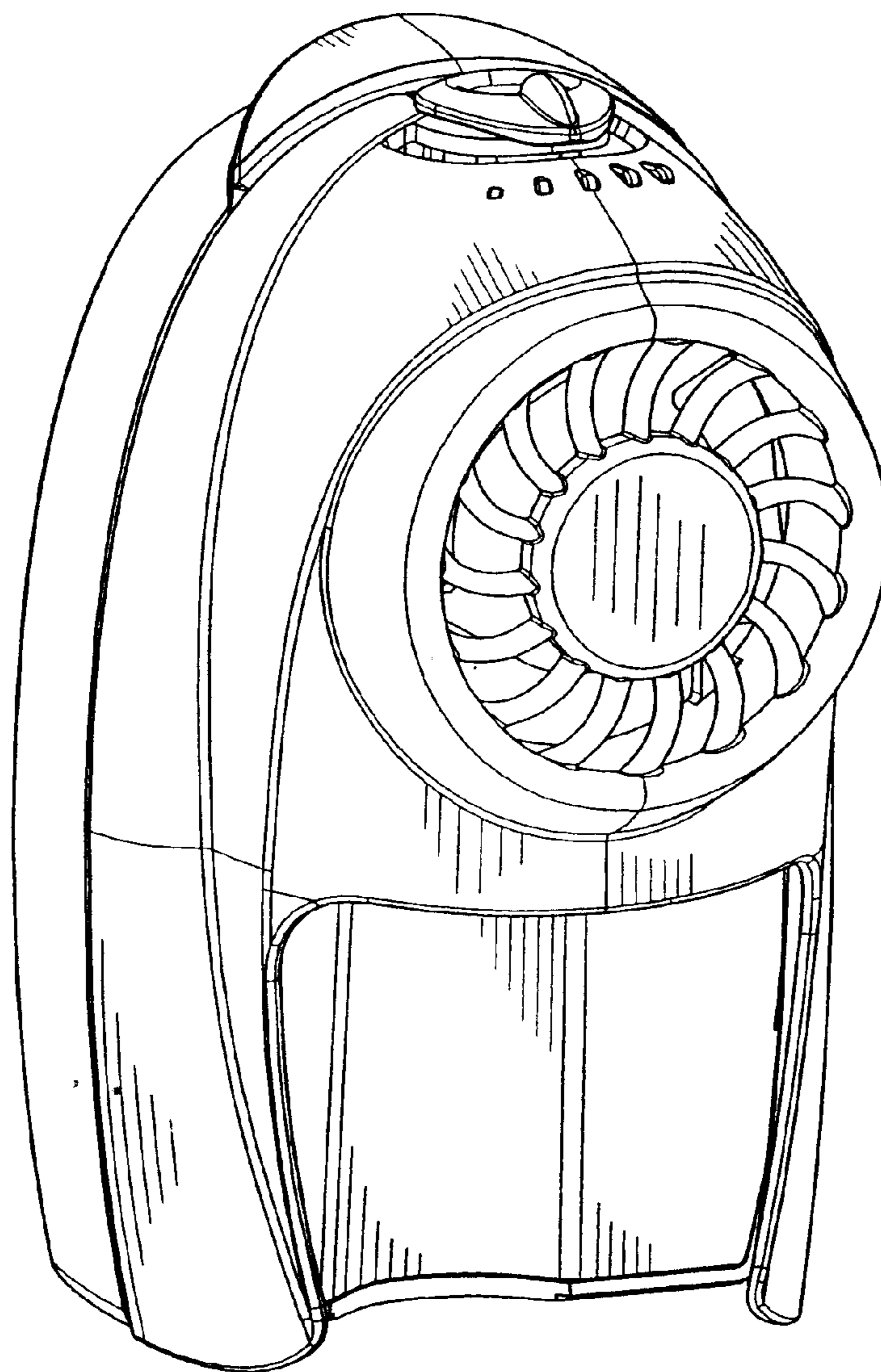


FIG. 1

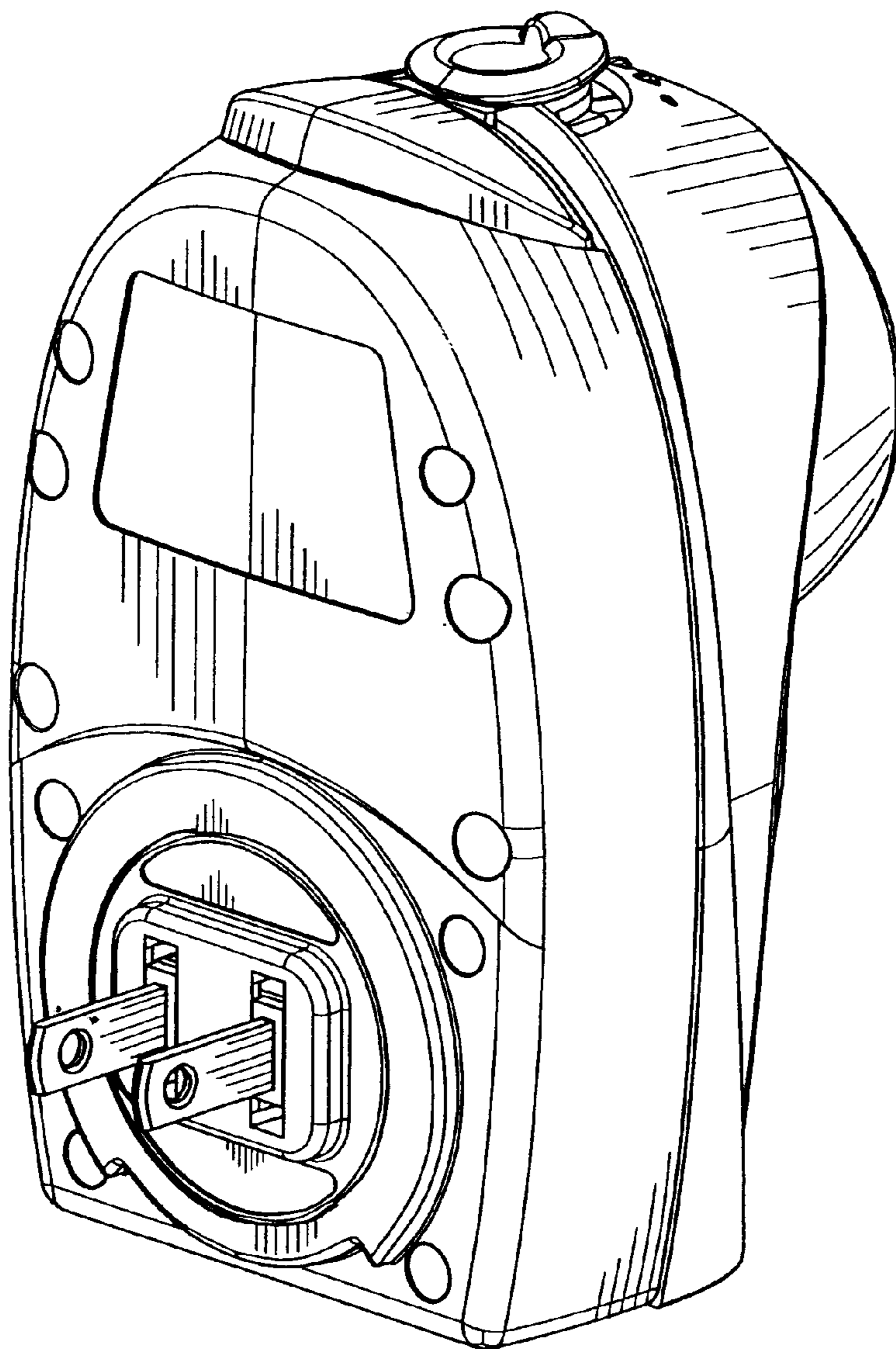
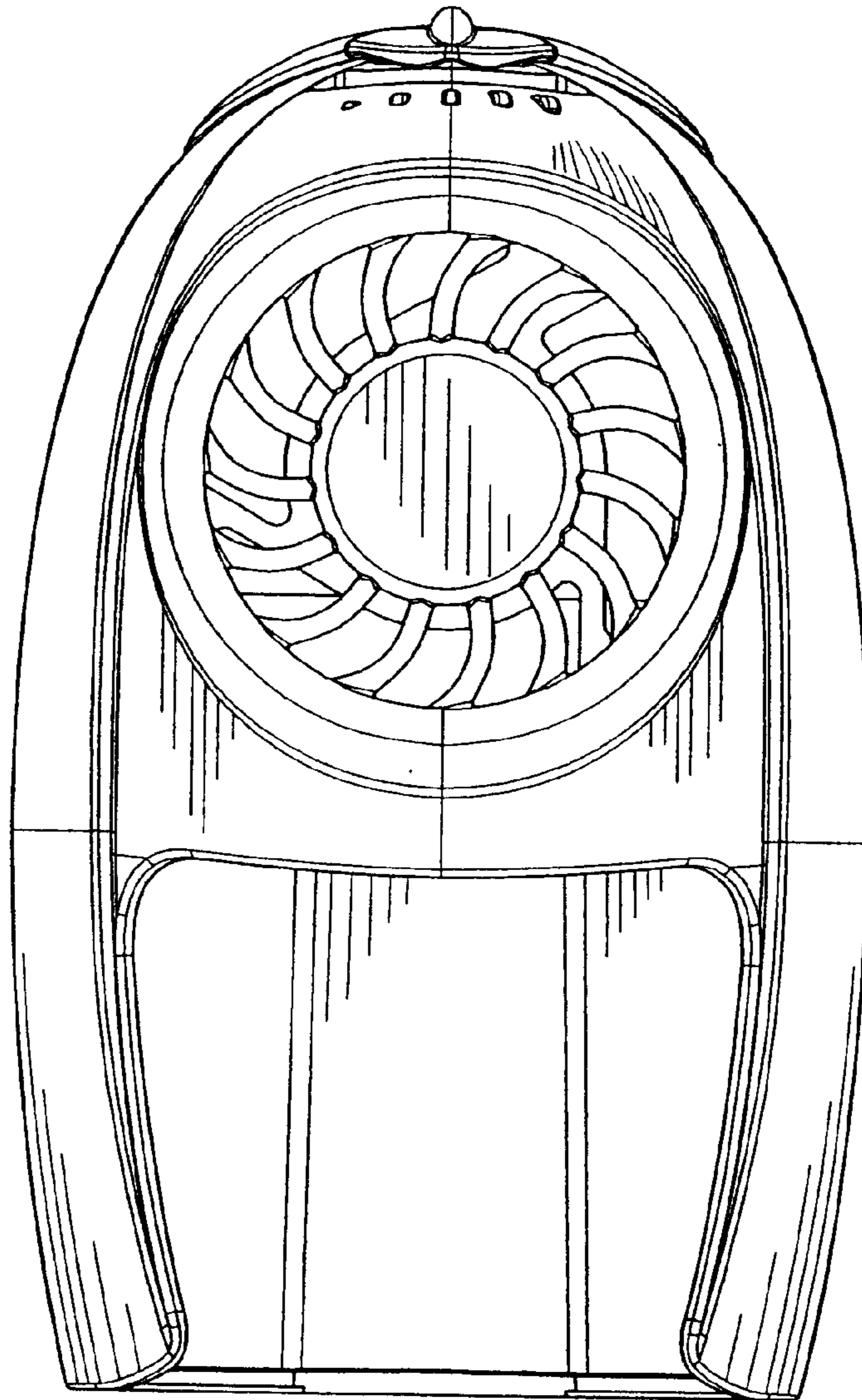


FIG. 2



**FIG. 3**



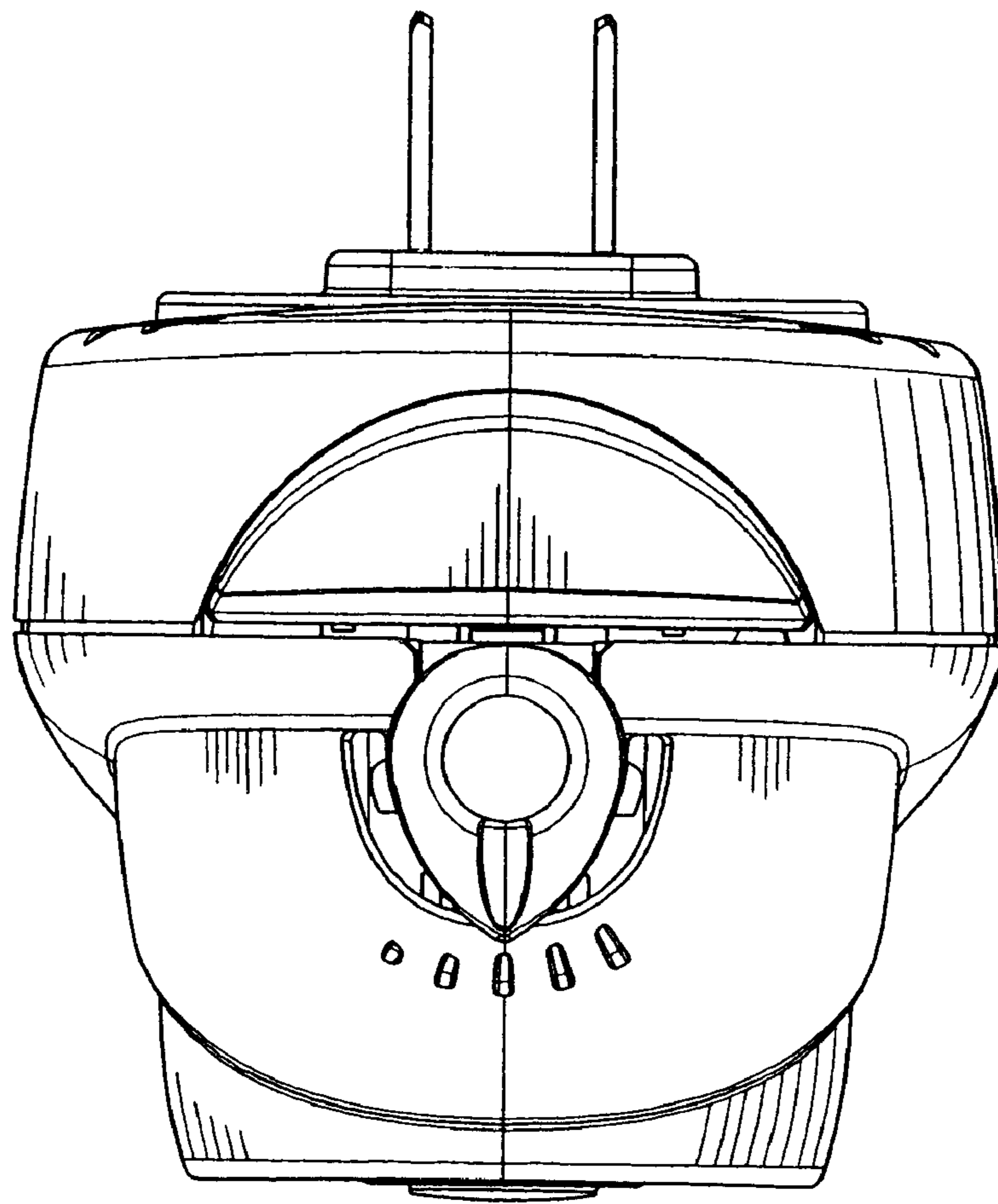


FIG. 4

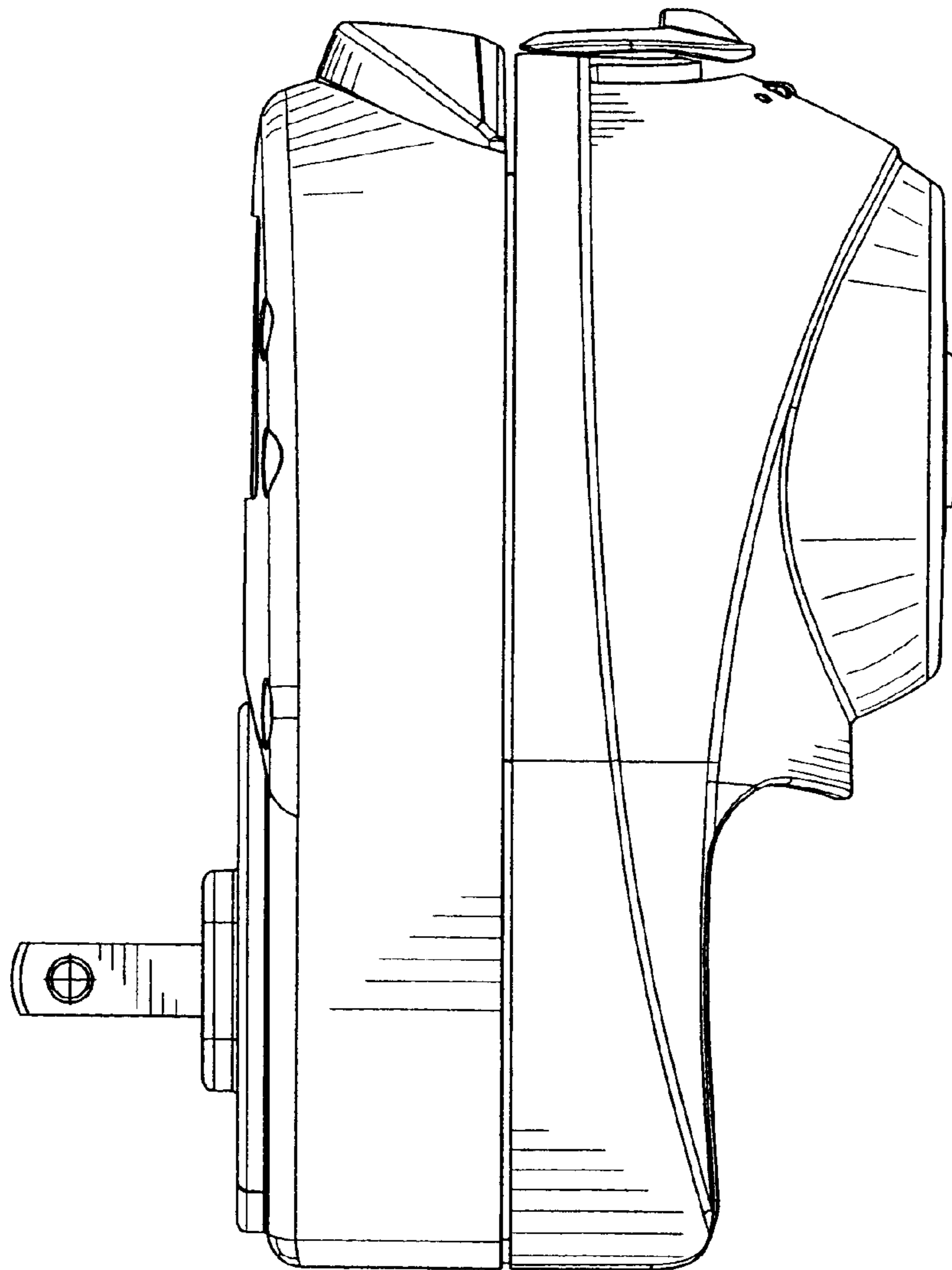


FIG. 5

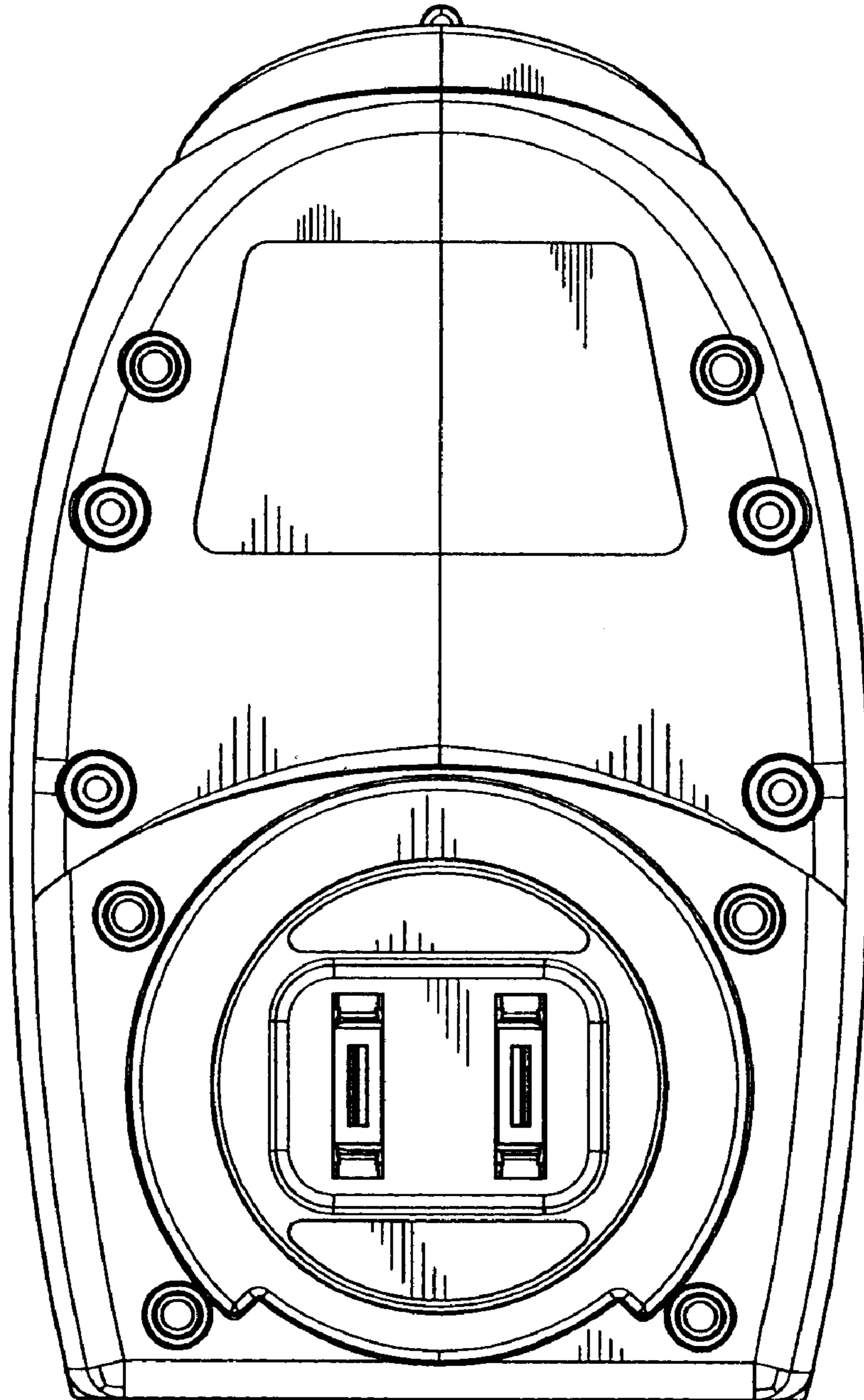
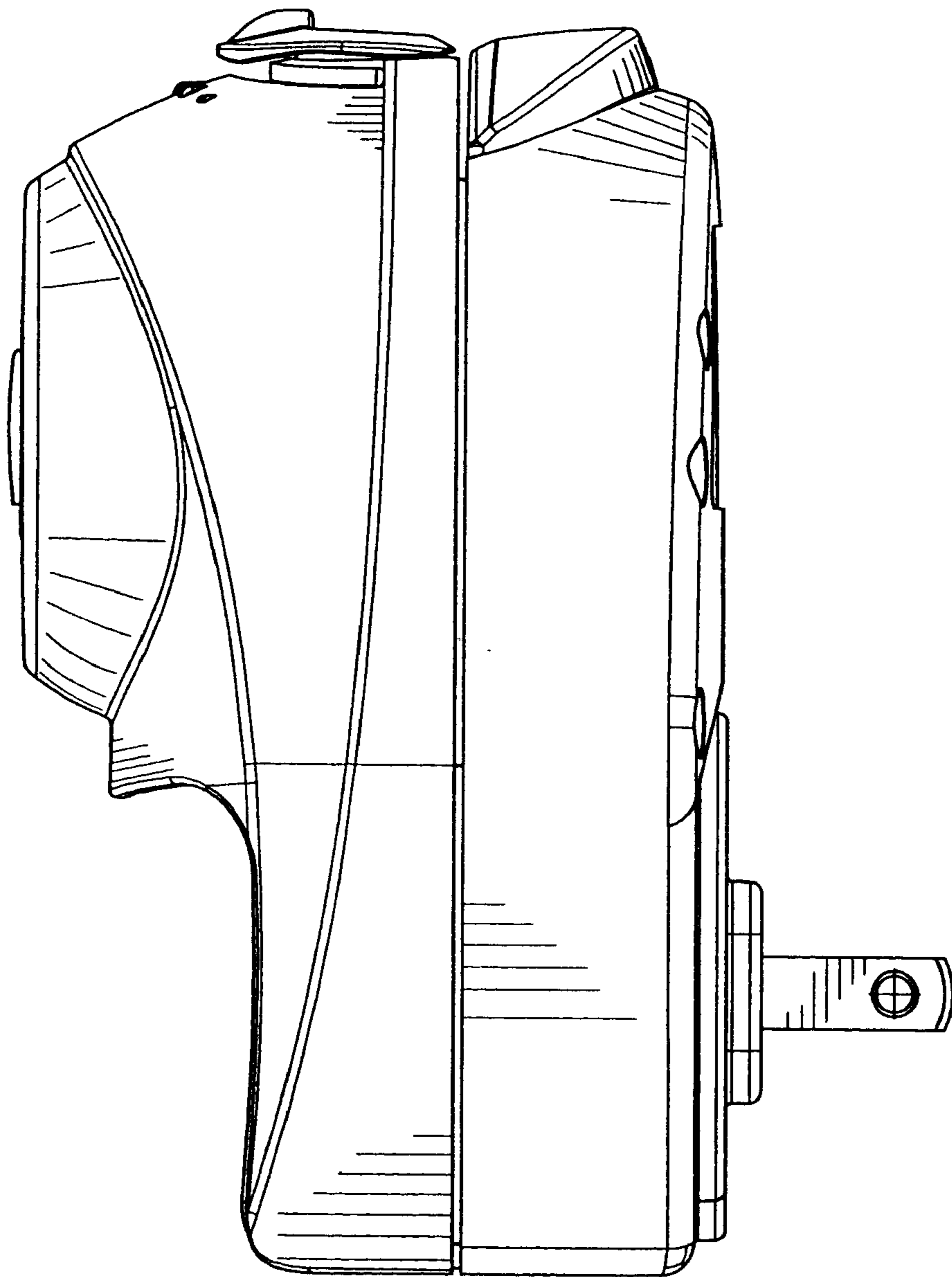


FIG. 6



**FIG. 7**