



US00D535375S

(12) **United States Design Patent**  
**Walker et al.**

(10) **Patent No.:** **US D535,375 S**  
(45) **Date of Patent:** **\*\* Jan. 16, 2007**

(54) **DEODORIZER HOLDER**  
(75) Inventors: **William H. Walker**, Fairlawn, OH (US); **Thomas E. Hanna**, Wooster, OH (US); **Christopher R. Matthews**, Windsor, MA (US); **Debra Lynn Miersma**, Dalton, MA (US)

(73) Assignee: **Rubbermaid Incorporated**, Fairlawn, OH (US)

(\*\*) Term: **14 Years**

(21) Appl. No.: **29/239,948**

(22) Filed: **Oct. 6, 2005**

(51) **LOC (8) Cl.** ..... **28-99**

(52) **U.S. Cl.** ..... **D23/366**

(58) **Field of Classification Search** ..... 392/386, 392/390-394, 398, 401, 403, 405-406; 239/135-136, 239/34, 35, 56-58, 37, 41, 42, 60; 261/DIG. 17, 261/DIG. 65, DIG. 88, DIG. 89; D23/355-369  
See application file for complete search history.

5,521,357 A *	5/1996	Lock et al.	219/543
5,522,008 A *	5/1996	Bernard	392/392
5,624,311 A *	4/1997	Peludat	454/230
D382,050 S *	8/1997	Hayes	D23/366
D382,051 S *	8/1997	Doppes	D23/367
D385,025 S *	10/1997	Ho	D23/367
5,695,692 A *	12/1997	Kennedy	261/30
5,735,460 A *	4/1998	Eisenbraun	239/34
5,820,791 A *	10/1998	Canale	261/30
5,899,382 A *	5/1999	Hayes et al.	239/56
D475,773 S *	6/2003	Lammel	D23/366
6,810,204 B1 *	10/2004	Grone et al.	392/392
6,899,281 B1 *	5/2005	Griese et al.	239/60
D508,559 S *	8/2005	Spiegel et al.	D23/366
D517,186 S *	3/2006	Grodsky et al.	D23/366
2003/0156830 A1 *	8/2003	Cox et al.	392/390

\* cited by examiner

*Primary Examiner*—Sandra S. Snapp

(74) *Attorney, Agent, or Firm*—Marshall, Gerstein & Borun LLP

(57) **CLAIM**

The ornamental design for a deodorizer holder, as shown and described.

(56) **References Cited**

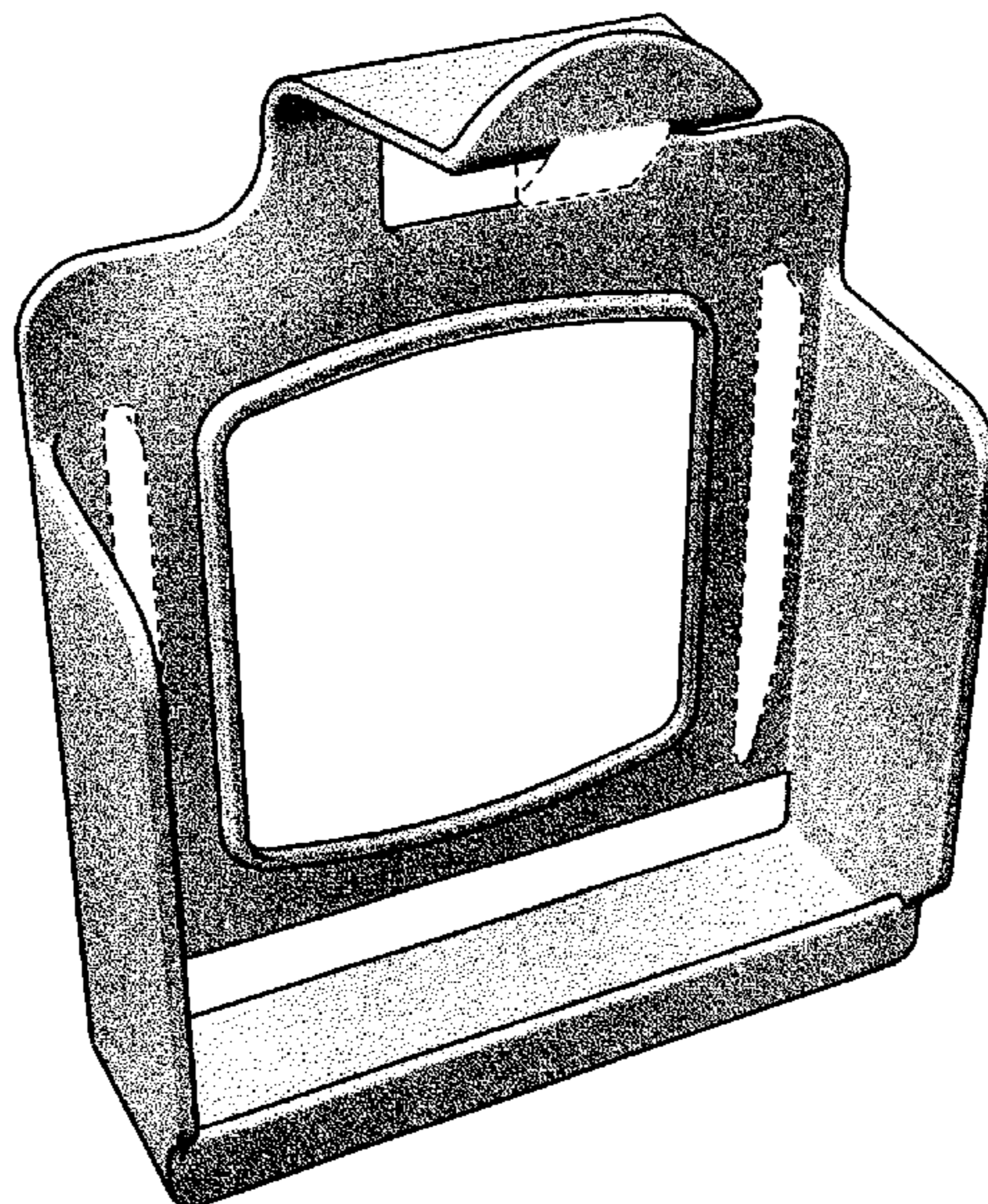
U.S. PATENT DOCUMENTS

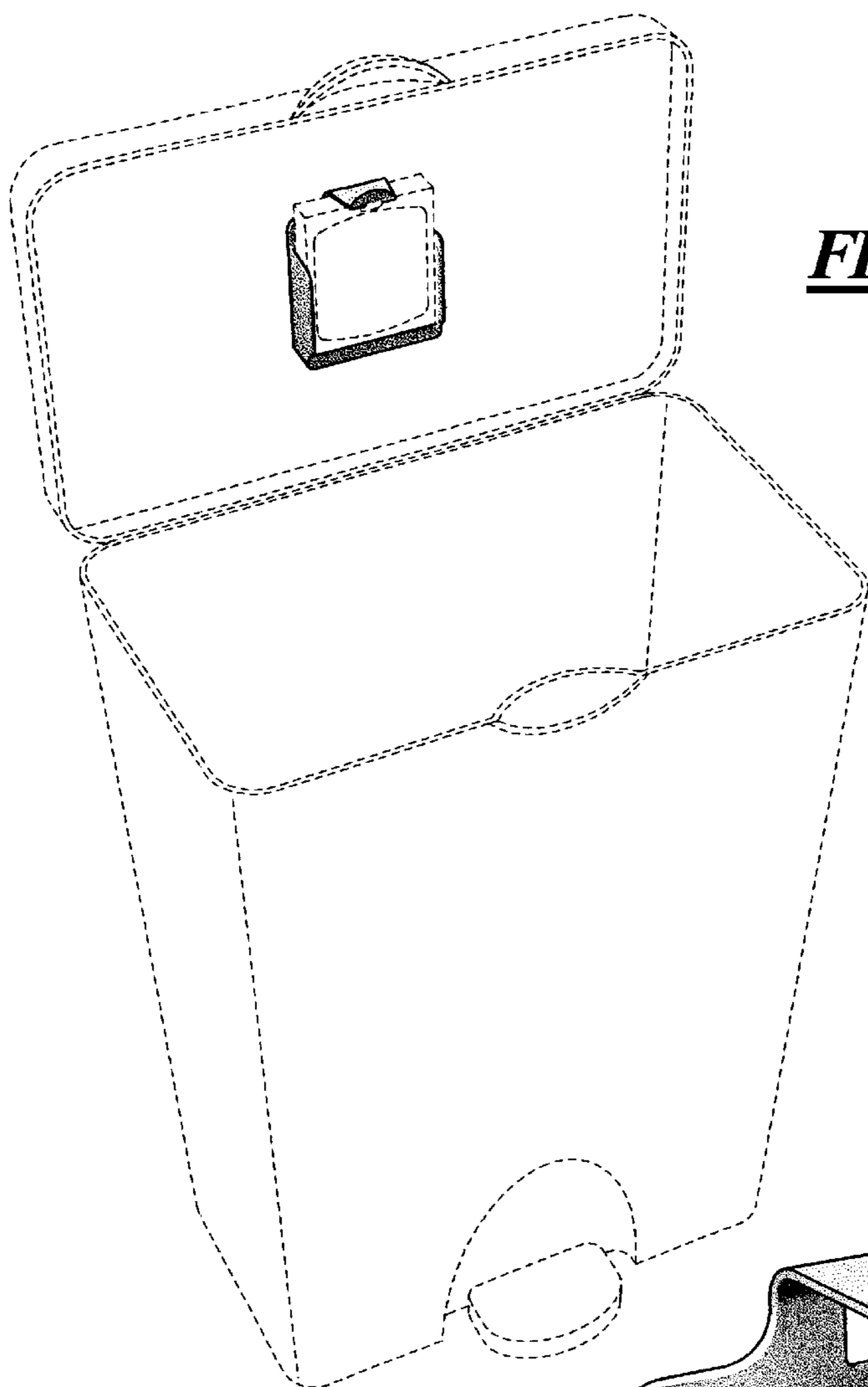
3,804,330 A *	4/1974	Miller et al.	239/34
D246,319 S *	11/1977	Rabussier et al.	D23/369
D254,929 S *	5/1980	Butcher et al.	D23/369
4,279,373 A *	7/1981	Montealegre	206/0.5
4,280,649 A *	7/1981	Montealegre	206/0.5
4,306,892 A *	12/1981	Atalla et al.	96/222
4,523,870 A *	6/1985	Spector	454/157
4,583,686 A *	4/1986	Martens et al.	239/35
5,136,684 A *	8/1992	Lonker et al.	392/392
D332,138 S *	12/1992	Lonker et al.	D23/366
D345,787 S *	4/1994	Martin	D23/366
5,460,787 A *	10/1995	Colon	422/123
5,478,505 A *	12/1995	McElfresh et al.	261/30
D366,107 S *	1/1996	Shaffer	D23/366

**DESCRIPTION**

FIG. 1 is an environmental perspective view showing our design for a deodorizer holder;  
FIG. 2 is a perspective view of the deodorizer holder of FIG. 1;  
FIG. 3 is a top plan view of the deodorizer holder of FIG. 1;  
FIG. 4 is a left side view of the deodorizer holder of FIG. 1, the right side view being a mirror image thereof;  
FIG. 5 is a bottom plan view deodorizer holder of FIG. 1;  
FIG. 6 is a front view deodorizer holder of FIG. 1; and,  
FIG. 7 is a rear view deodorizer holder of FIG. 1.  
The dashed lines are for illustrative purposes only and form no part of the claimed design.

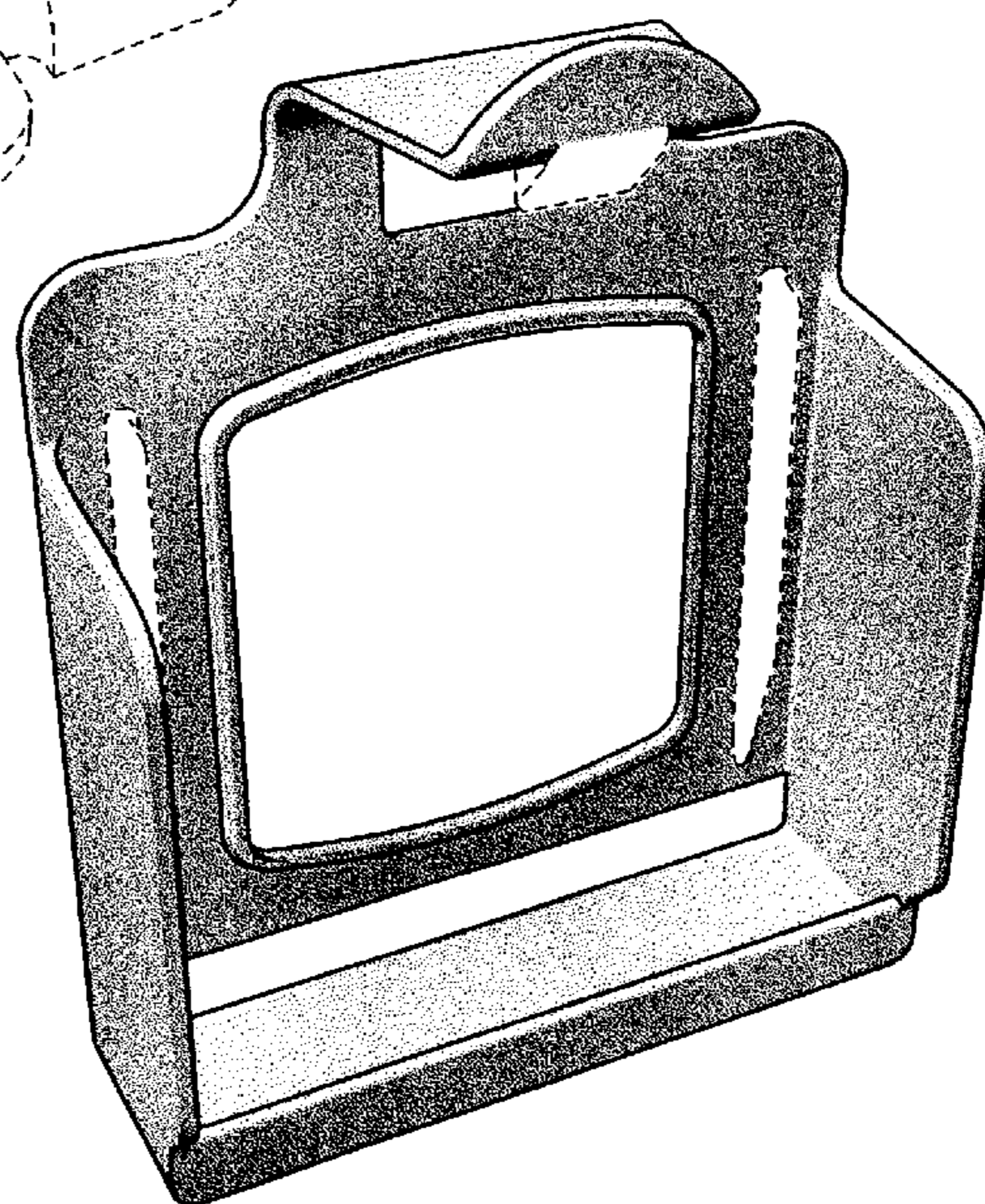
**1 Claim, 3 Drawing Sheets**

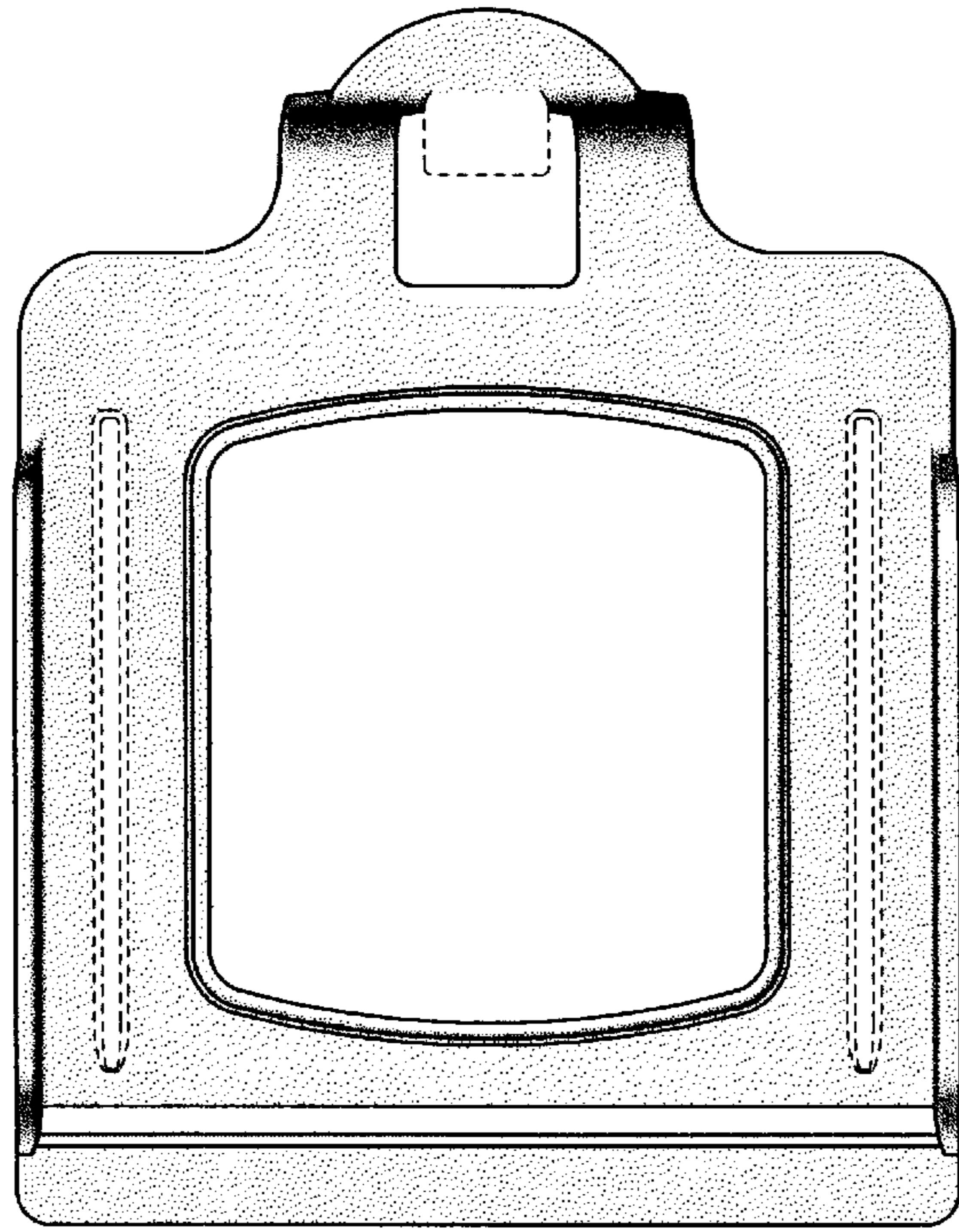




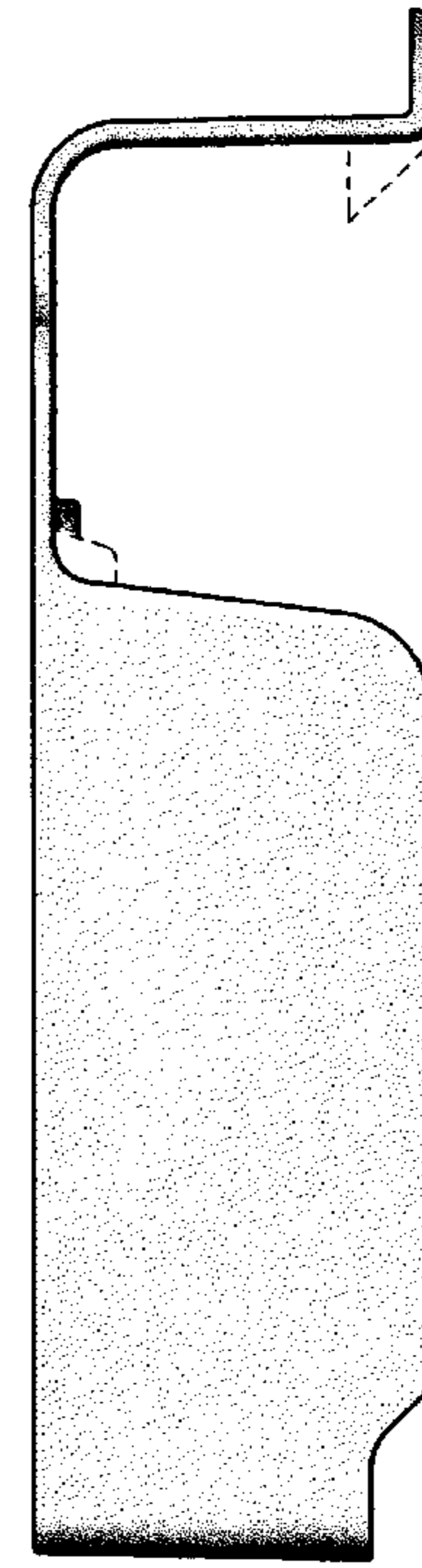
**FIG. 1**

**FIG. 2**

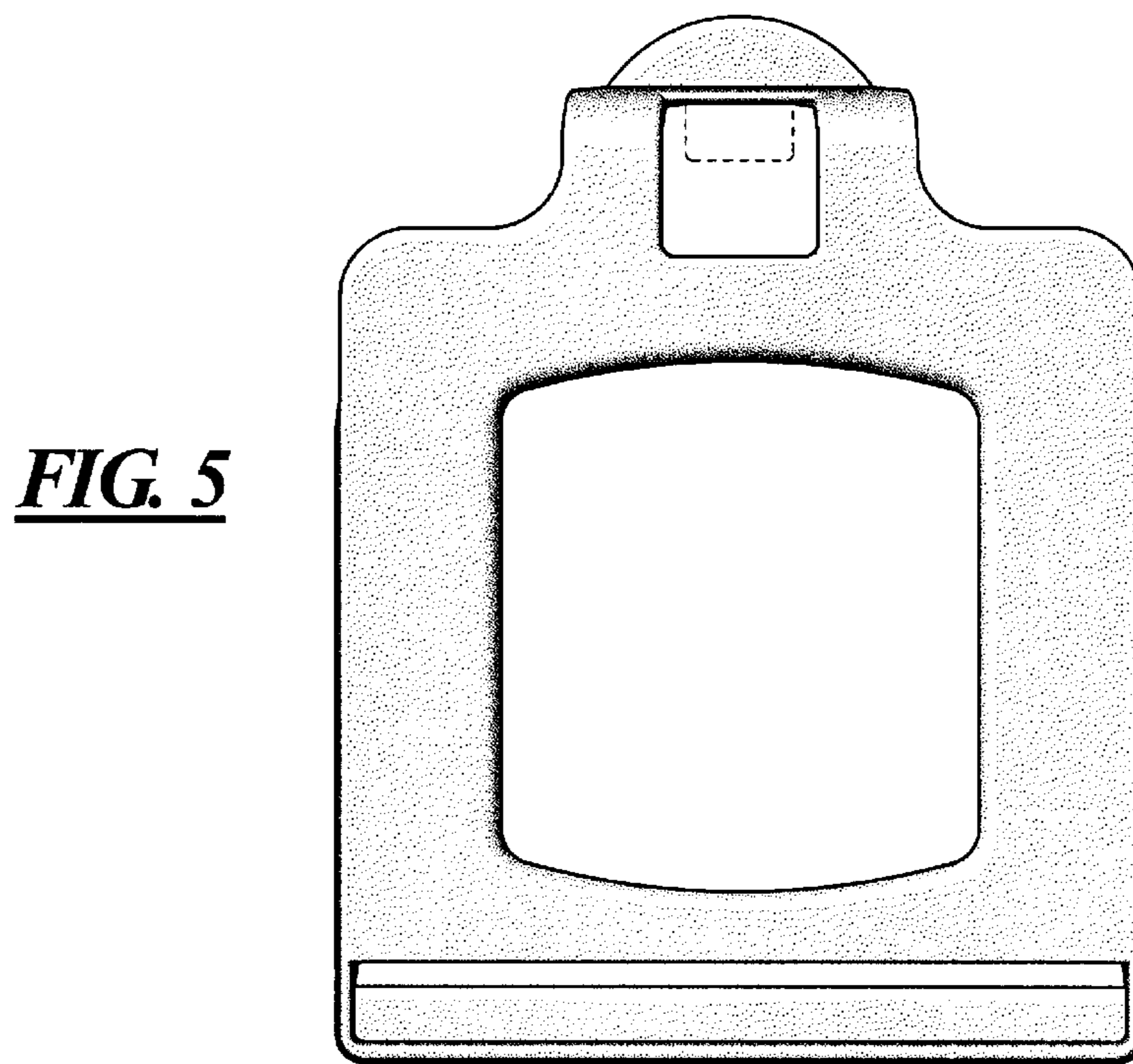




**FIG. 3**

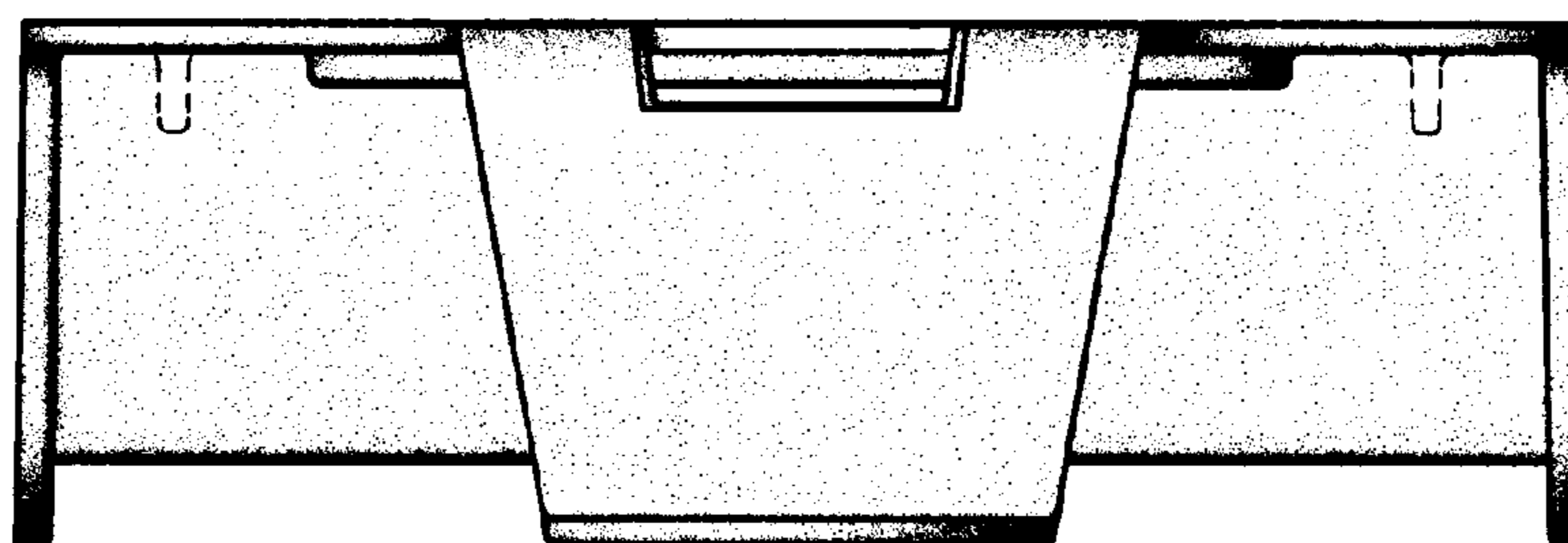


**FIG. 4**



**FIG. 5**

**FIG. 6**



**FIG. 7**

