



US00D535374S

(12) **United States Design Patent**  
**Cortés**

(10) **Patent No.:** **US D535,374 S**

(45) **Date of Patent:** **\*\* Jan. 16, 2007**

(54) **AIR DEODORIZING APPARATUS**

(75) **Inventor:** **Juan Antonio Benito Cortés,**  
Barcelona (ES)

(73) **Assignee:** **Sara Lee Household and Body Care**  
**Nederland B.V.,** Veenendaal (NL)

(\*\*) **Term:** **14 Years**

(21) **Appl. No.:** **29/237,797**

(22) **Filed:** **Sep. 7, 2005**

(30) **Foreign Application Priority Data**

Mar. 8, 2005 (EM) ..... 000306162-0001/0002

(51) **LOC (8) Cl.** ..... **28-99**

(52) **U.S. Cl.** ..... **D23/366**

(58) **Field of Classification Search** ..... 392/386,  
392/390-394, 398, 401, 403, 405-406; 239/135-136,  
239/34, 35, 56-58, 37, 41, 42, 60; 261/DIG. 17,  
261/DIG. 65, DIG. 88, DIG. 89; D23/355-369  
See application file for complete search history.

(56) **References Cited**

**U.S. PATENT DOCUMENTS**

1,380,208 A \* 5/1921 Holtschneider ..... 239/59  
D389,233 S \* 1/1998 Smith et al. .... D23/367  
D398,047 S \* 9/1998 Chen ..... D23/366

D432,638 S \* 10/2000 Smith ..... D23/367  
6,197,263 B1 \* 3/2001 Blount ..... 422/125  
D520,622 S \* 5/2006 Yamamoto et al. .... D23/366

\* cited by examiner

*Primary Examiner*—Sandra S. Snapp

(74) *Attorney, Agent, or Firm*—Kilpatrick Stockton LLP

(57) **CLAIM**

I claim the ornamental design for an air deodorizing apparatus, as shown.

**DESCRIPTION**

FIG. 1 is a front perspective view of an air deodorizing apparatus comprising the present invention.

FIG. 2 is a front elevational view of the air deodorizing apparatus shown in FIG. 1.

FIG. 3 is a rear elevational view of the air deodorizing apparatus shown in FIG. 1 and FIG. 2.

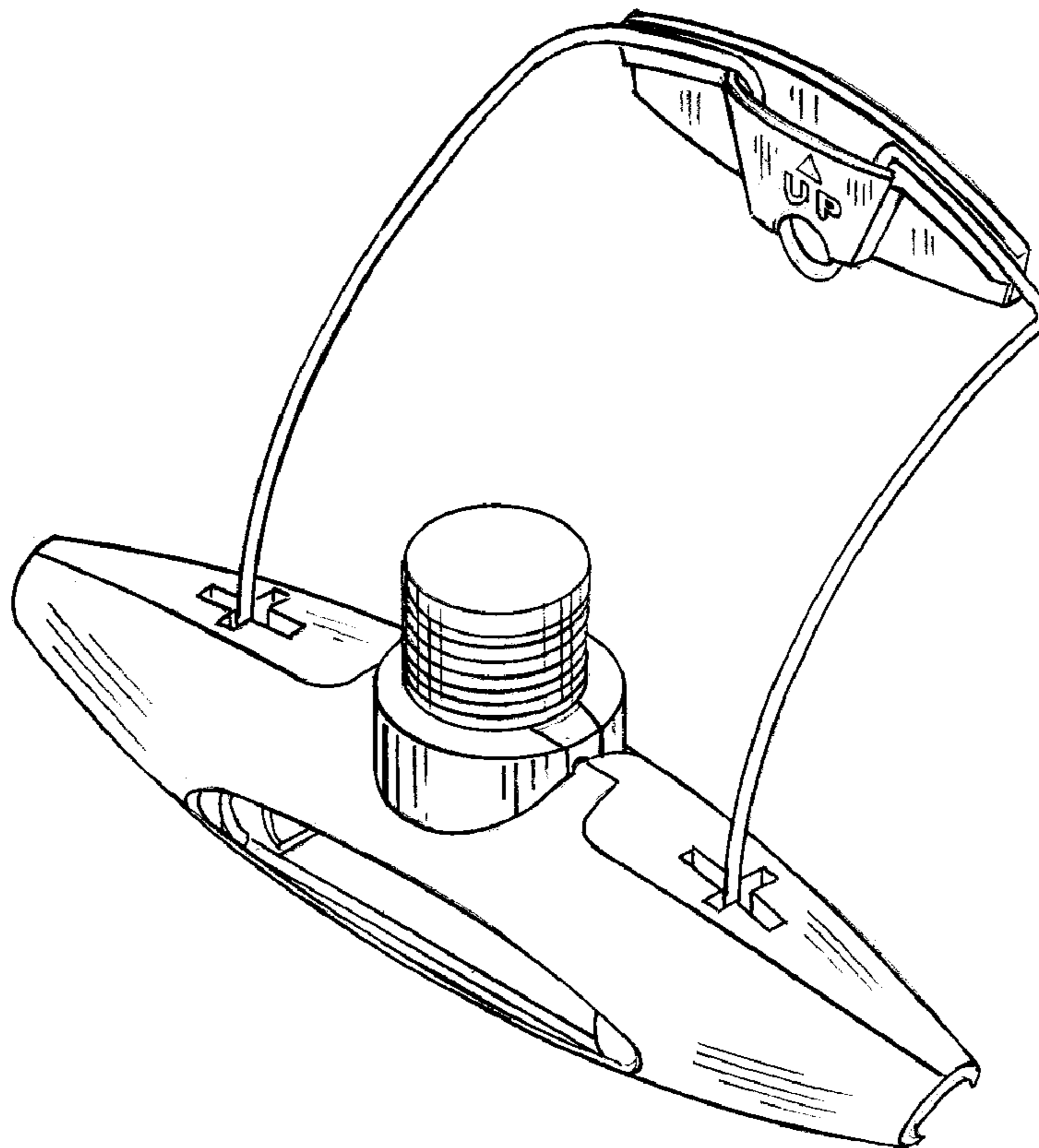
FIG. 4 is a side elevational view of the air deodorizing apparatus shown in FIG. 1, FIG. 2, and FIG. 3.

FIG. 5 is another side elevational view of the air deodorizing apparatus shown in FIG. 1, FIG. 2, FIG. 3, and FIG. 4.

FIG. 6 is a top plan view of the air deodorizing apparatus shown in FIG. 1, FIG. 2, FIG. 3, FIG. 4 and FIG. 5; and,

FIG. 7 is a bottom plan view of the air deodorizing apparatus shown in FIG. 1, FIG. 2, FIG. 3, FIG. 4, FIG. 5 and FIG. 6.

**1 Claim, 4 Drawing Sheets**



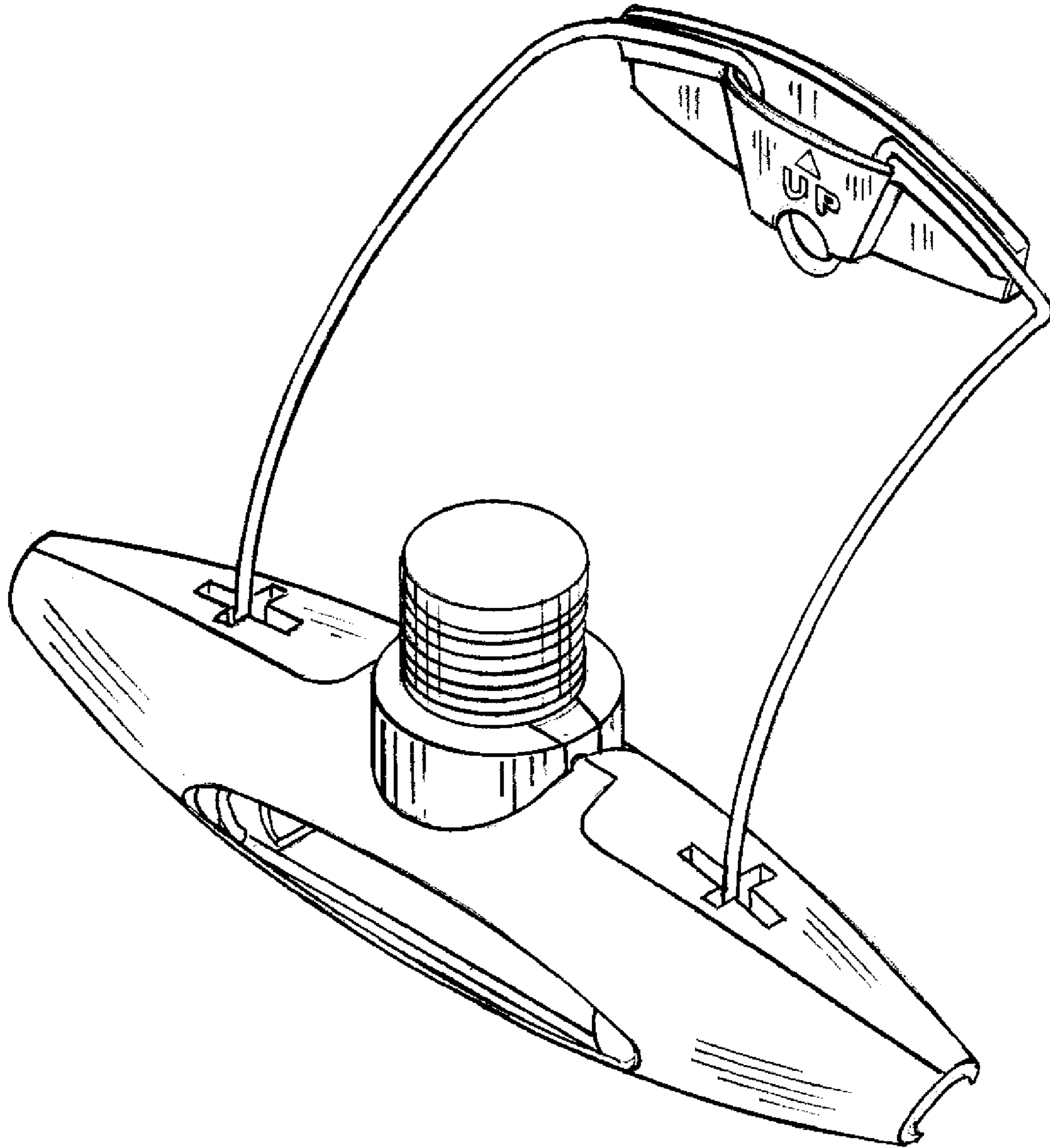


FIG. 1

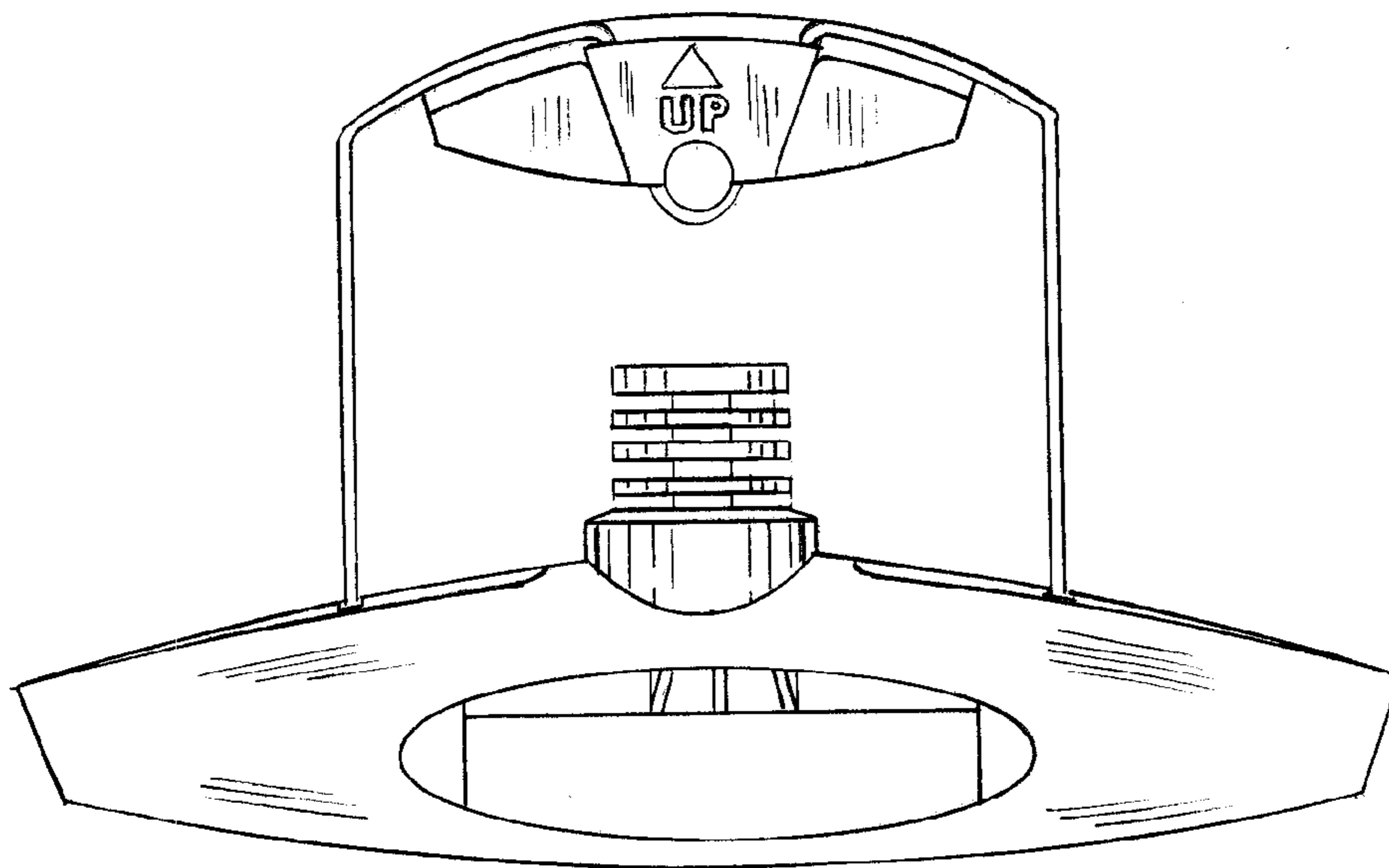


FIG. 2

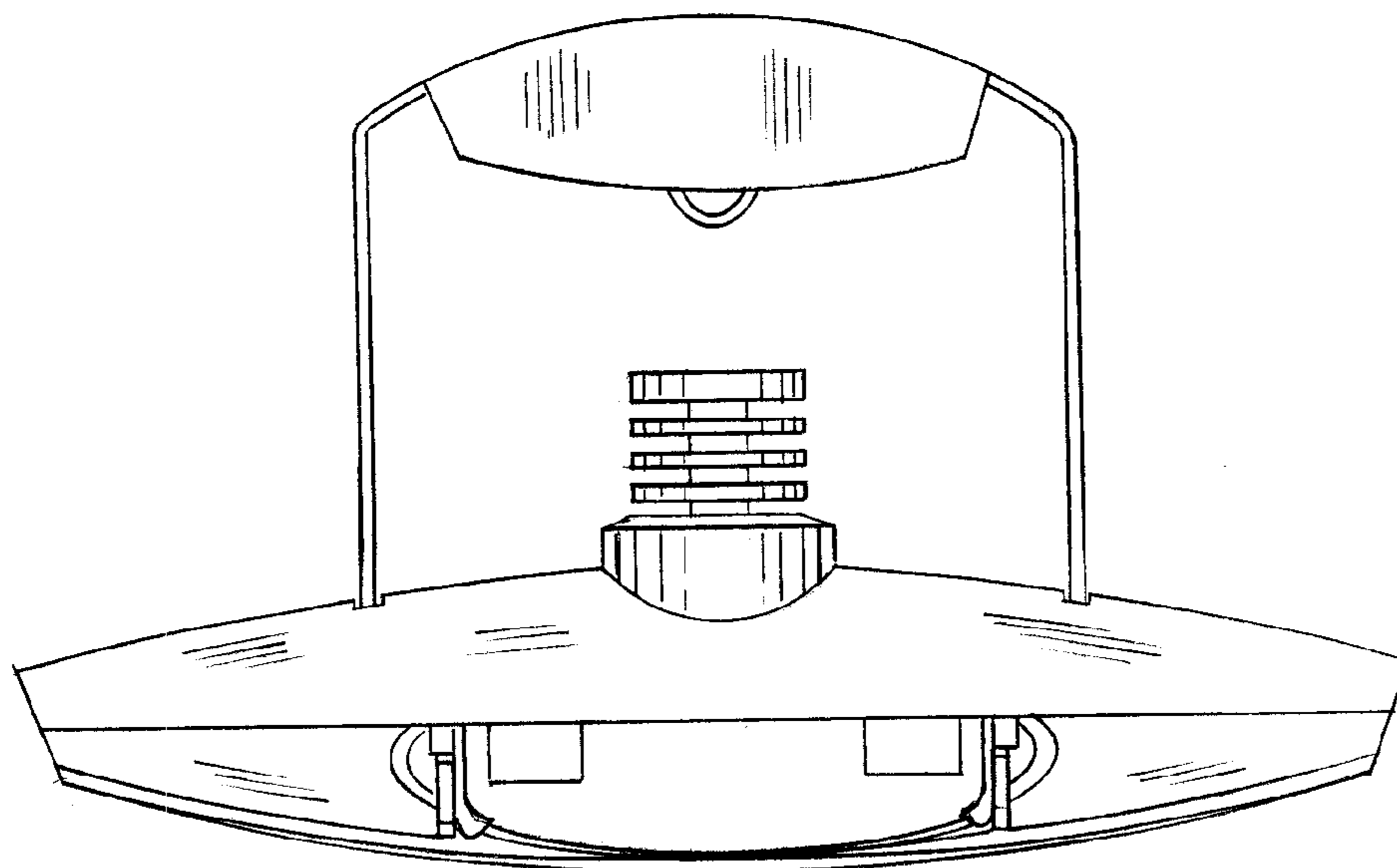


FIG. 3

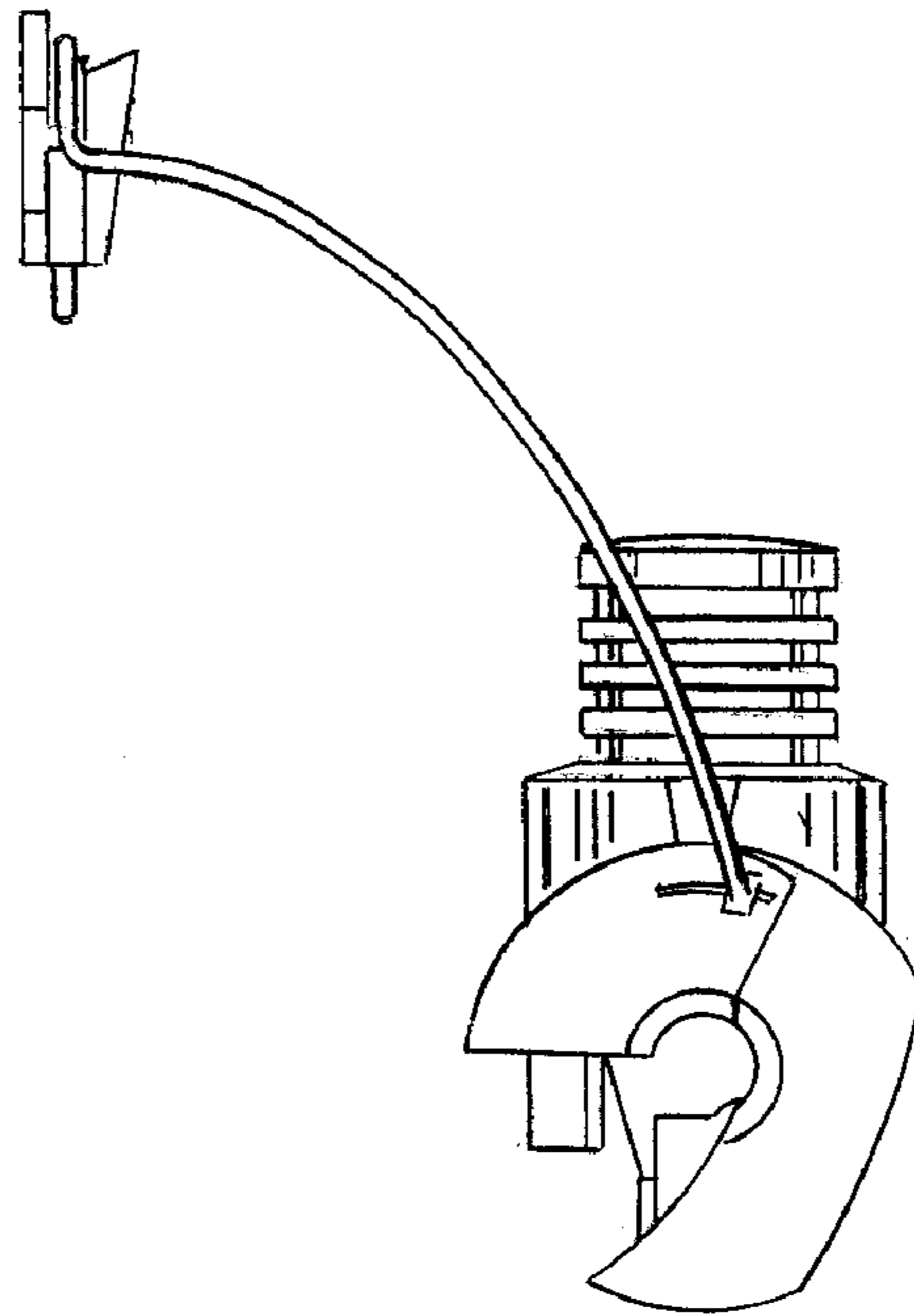


FIG. 4

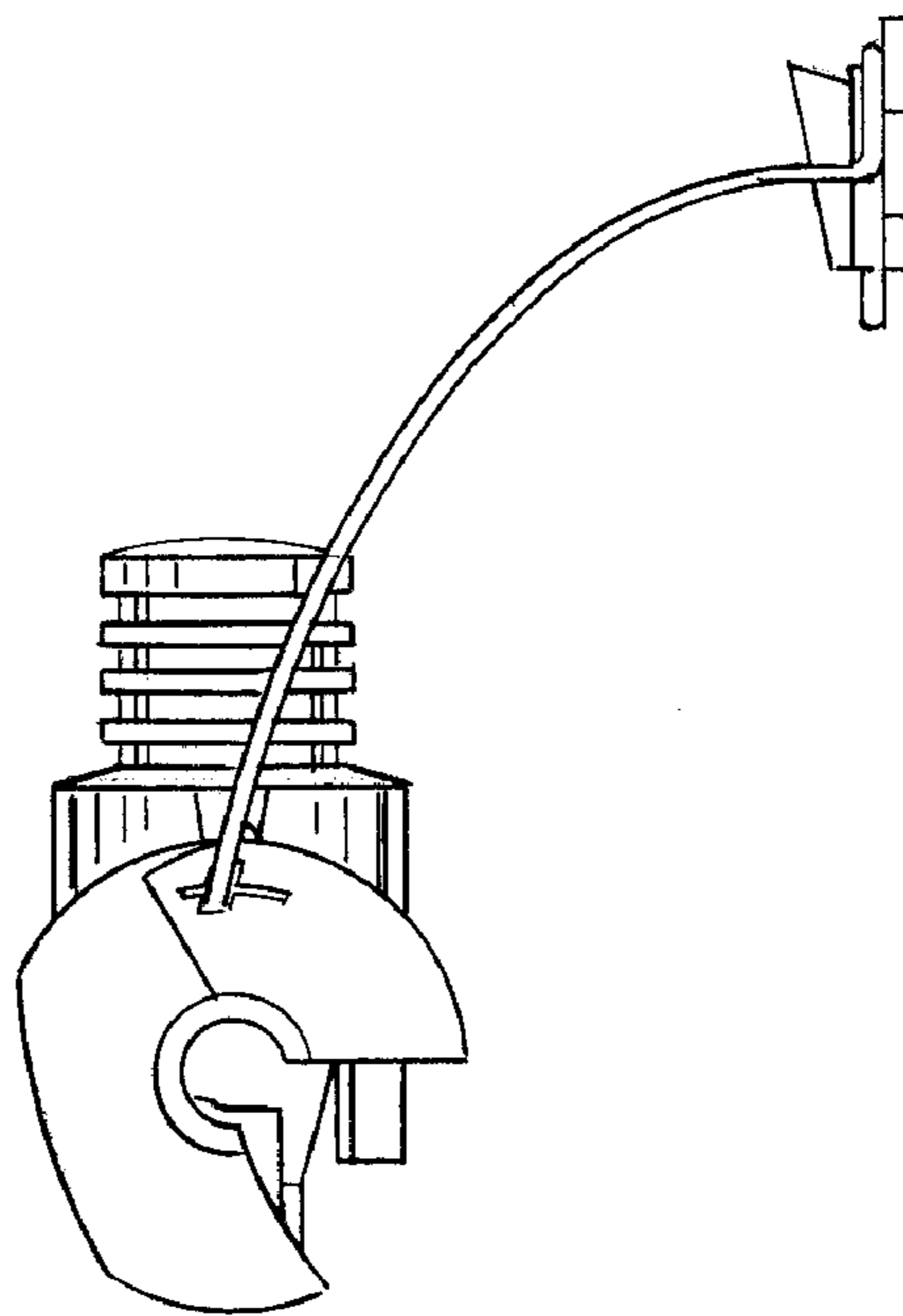


FIG. 5

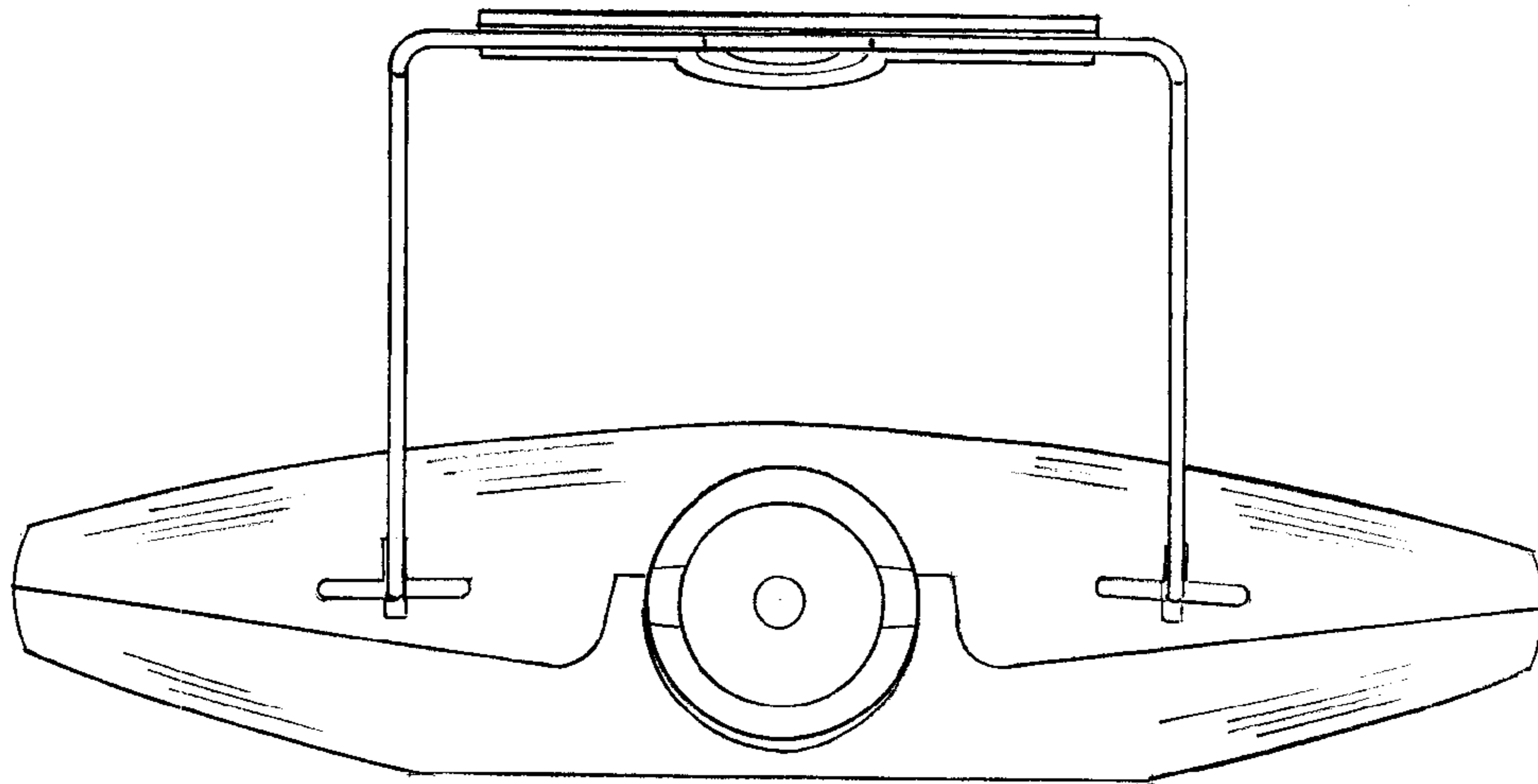


FIG. 6

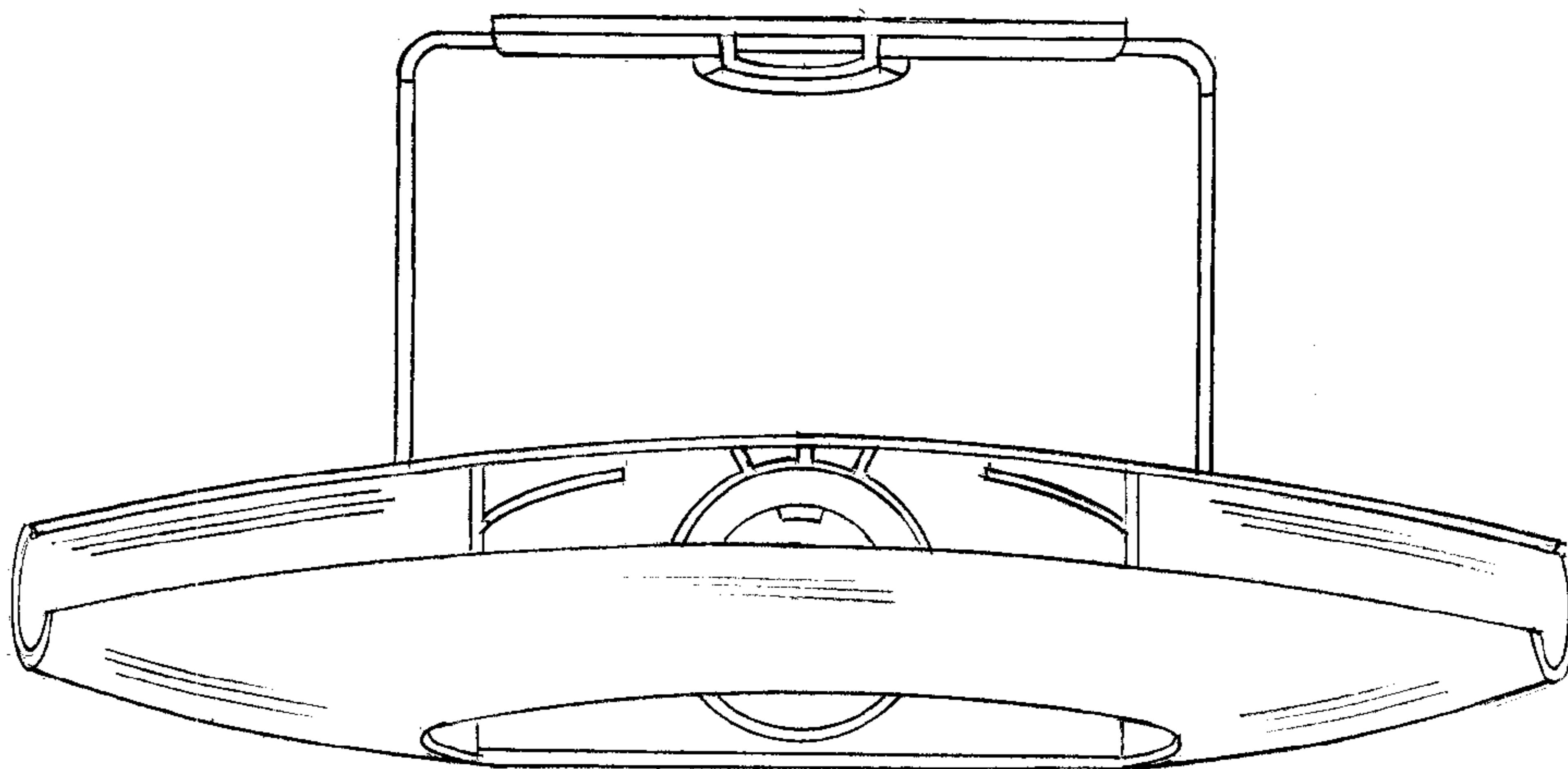


FIG. 7