

US00D535370S

(12) **United States Design Patent**
Jensen

(10) **Patent No.:** **US D535,370 S**

(45) **Date of Patent:** **** Jan. 16, 2007**

(54) **FIREPLACE**

D516,699 S * 3/2006 Schlosser et al. D23/398

(75) Inventor: **Seth Jensen**, Milwaukee, WI (US)

OTHER PUBLICATIONS

(73) Assignee: **Jensen Metal Products**, Racine, WI (US)

http://assets.gardenocity.com/productimages/5_654260.jpg*

(**) Term: **14 Years**

* cited by examiner

(21) Appl. No.: **29/252,682**

Primary Examiner—Louis S. Zarfes

Assistant Examiner—Eric Goodman

(22) Filed: **Jan. 25, 2006**

(74) *Attorney, Agent, or Firm*—Jansson, Shupe, Munger & Antaramian, Ltd.

(51) **LOC (8) Cl.** **23-03**

(57) **CLAIM**

(52) **U.S. Cl.** **D23/343**

The ornamental design for a fireplace, as shown and described.

(58) **Field of Classification Search** D23/398,
D23/401, 402, 403, 404, 405, 406, 342, 343,
D23/314, 350; 126/304 R, 305, 306

DESCRIPTION

See application file for complete search history.

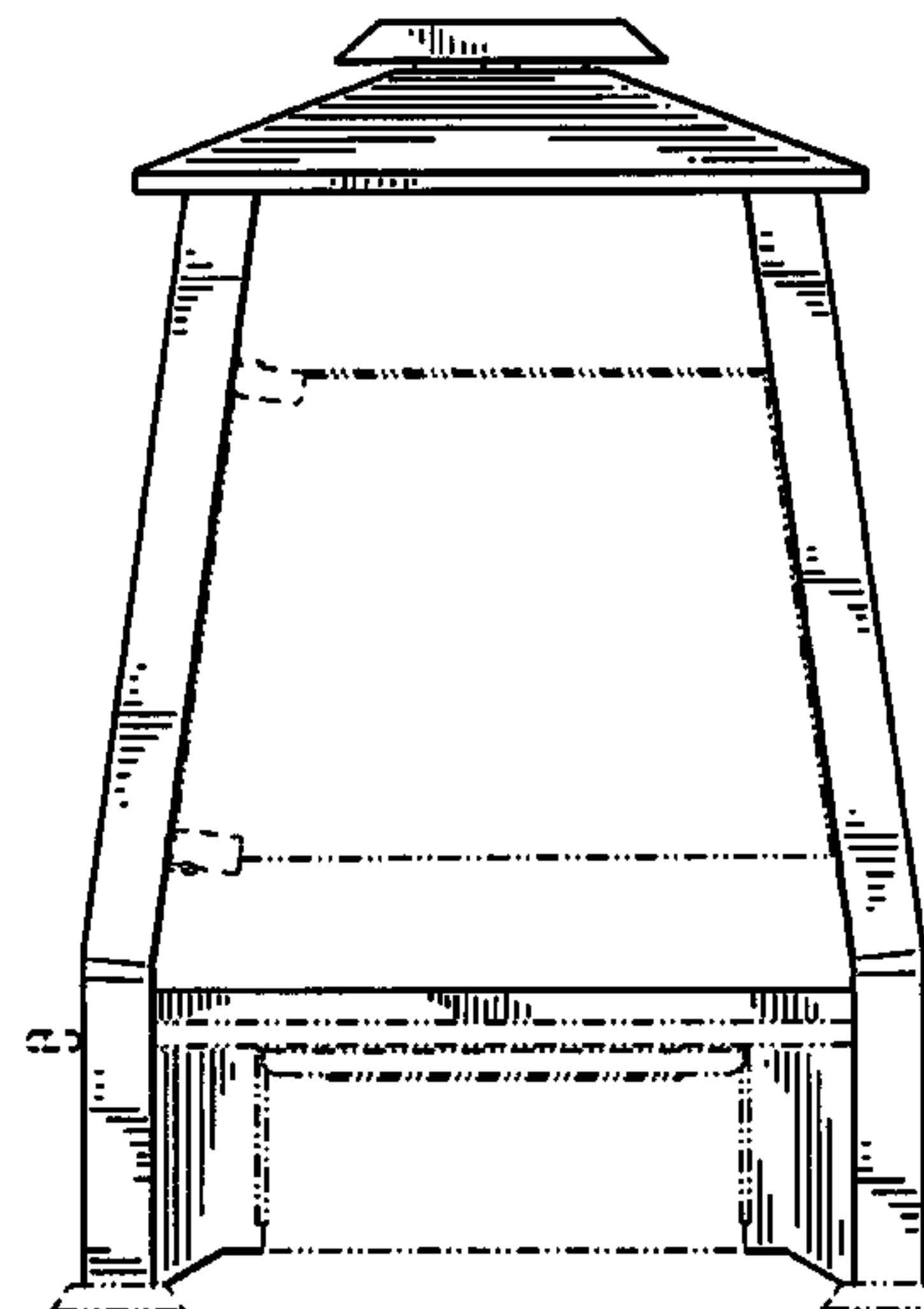
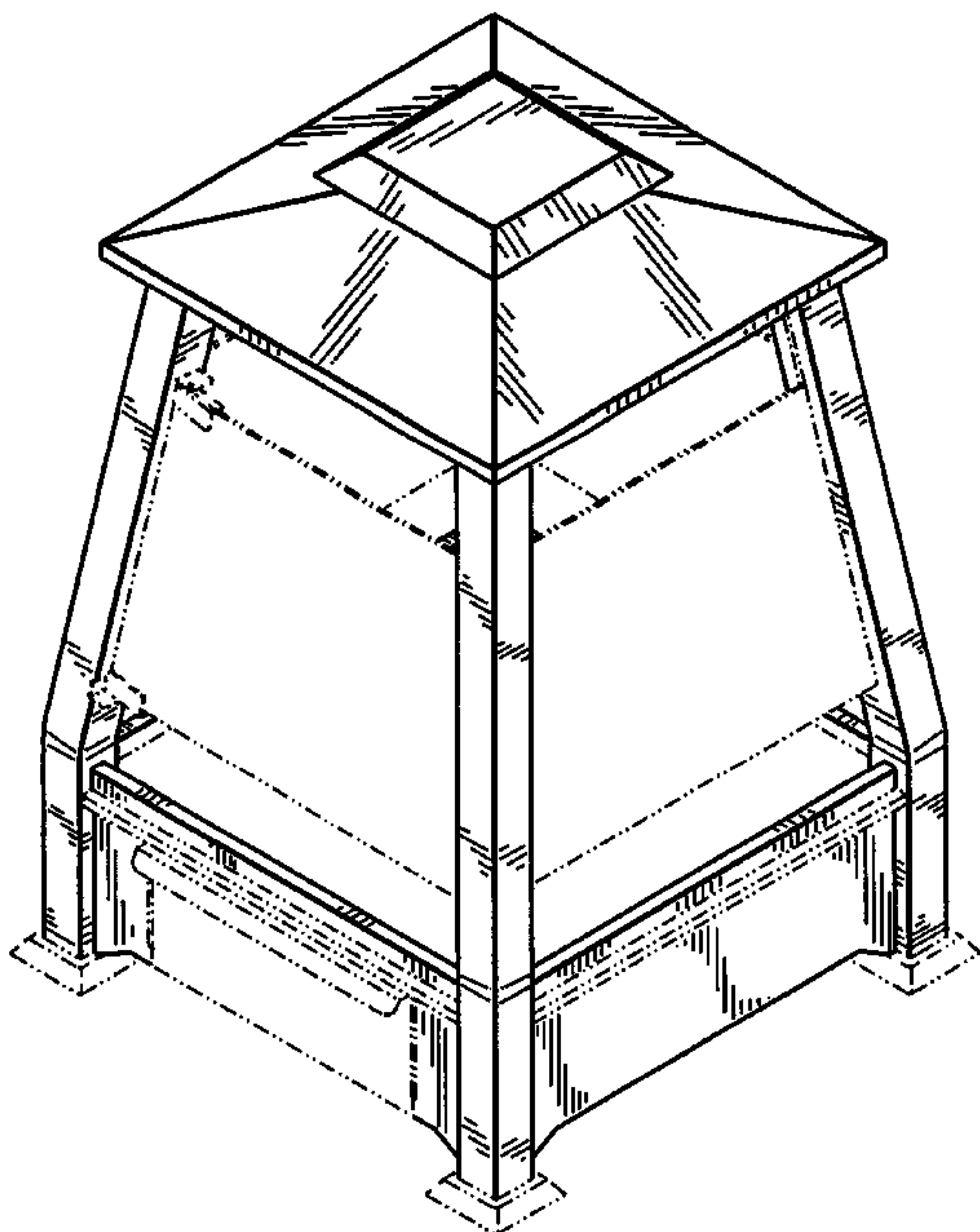
FIG. 1 is a perspective view of a fireplace.
FIG. 2 is a front side plan view of the fireplace.
FIG. 3 is a right side plan view of the fireplace.
FIG. 4 is a back side plan view of the fireplace.
FIG. 5 is a left side plan view of the fireplace.
FIG. 6 is a top plan view of the fireplace; and,
FIG. 7 is a bottom plan view of the fireplace.
Parts shown in broken lines in the figures are shown for illustrative purposes only and form no part of the claimed design.

(56) **References Cited**

U.S. PATENT DOCUMENTS

D427,298 S	*	6/2000	Maust et al.	D23/343
6,267,113 B1		7/2001	Maust et al.		
D455,206 S	*	4/2002	Davis et al.	D23/350
6,640,803 B1	*	11/2003	Davis et al.	126/519
D498,523 S	*	11/2004	Davis	D23/332
D500,359 S	*	12/2004	Davis	D23/343
6,851,423 B1		2/2005	Klemming		
D512,775 S	*	12/2005	Rosen	D23/403

1 Claim, 4 Drawing Sheets



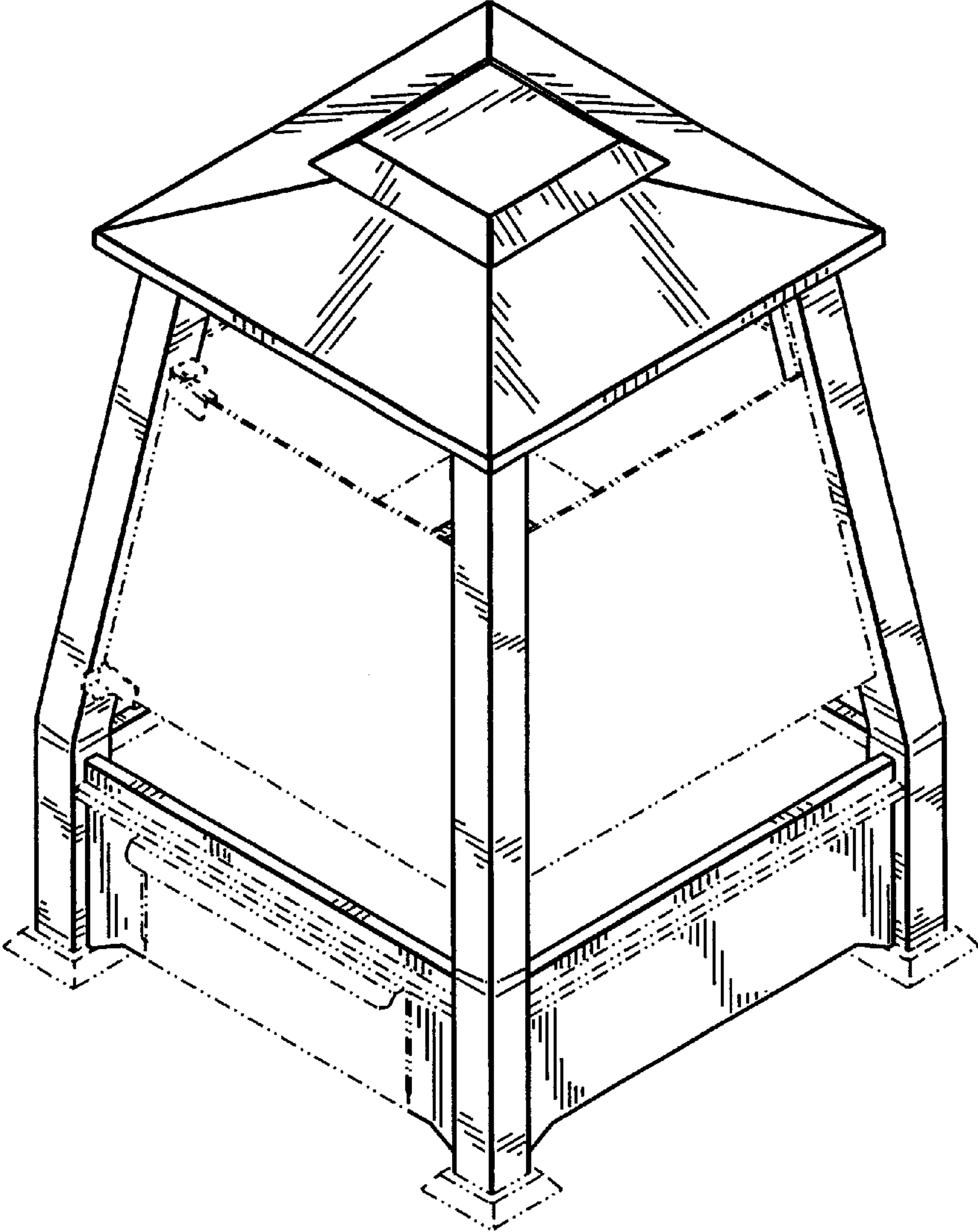


FIG. 1

FIG. 2

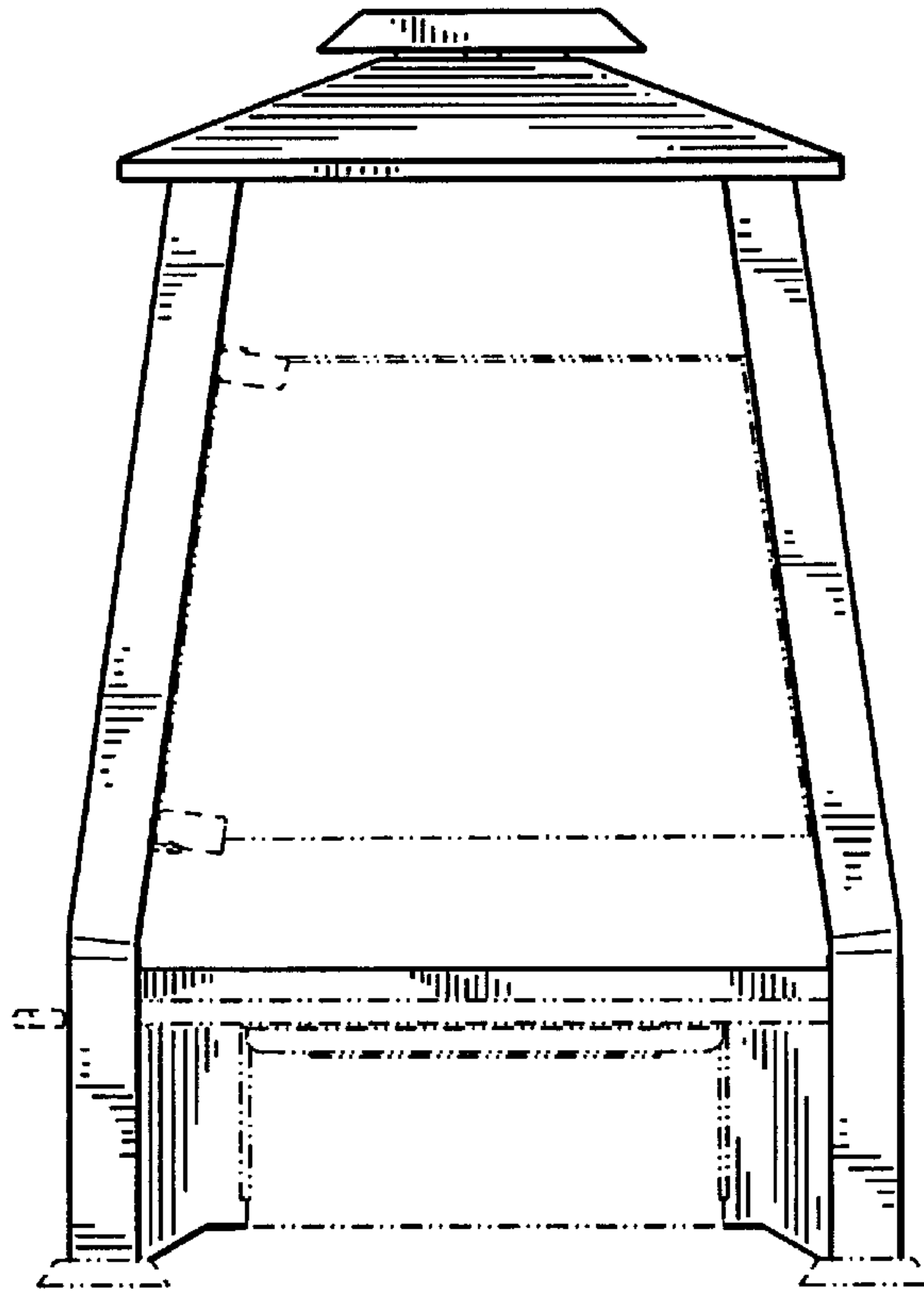


FIG. 3

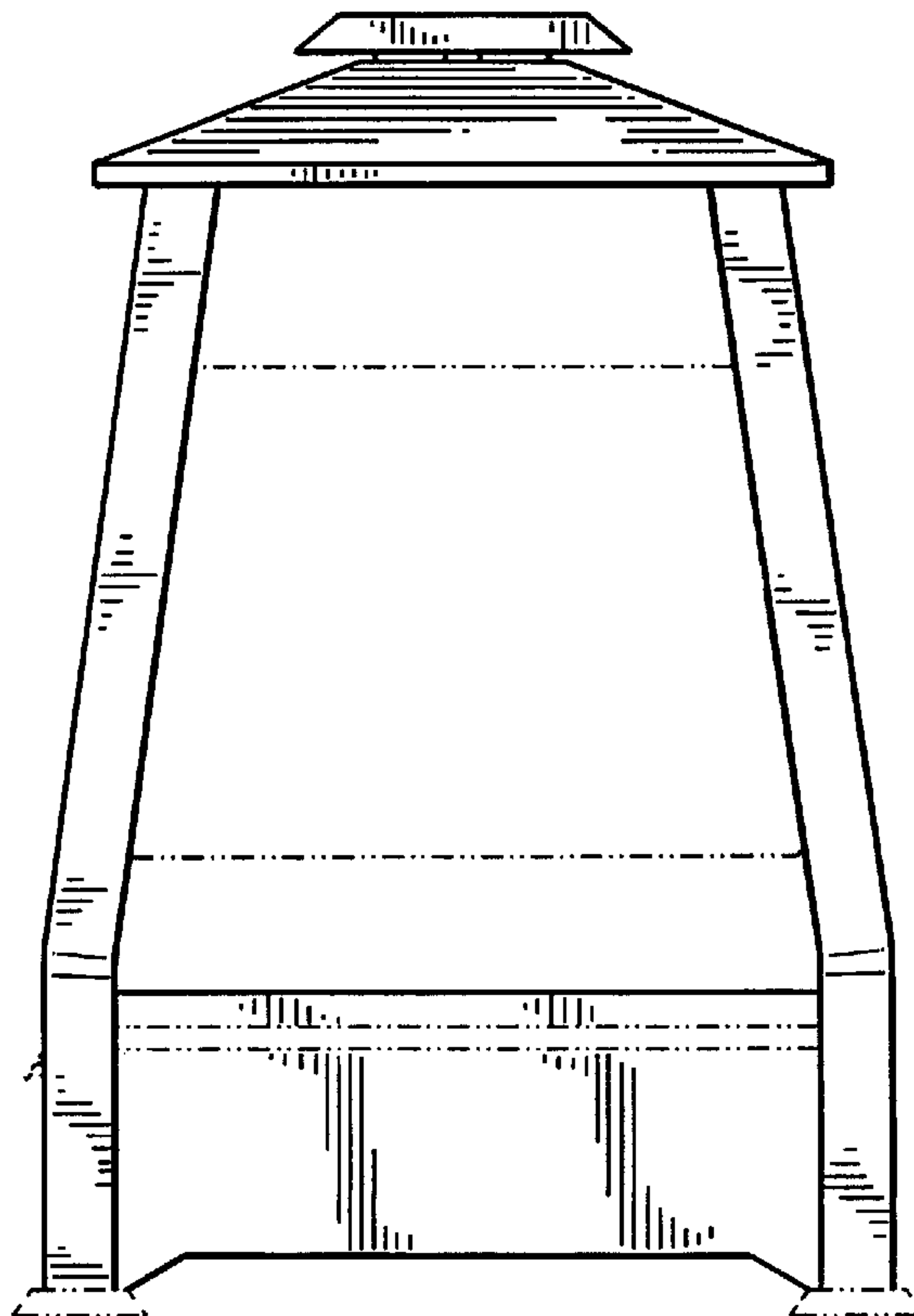


FIG. 4

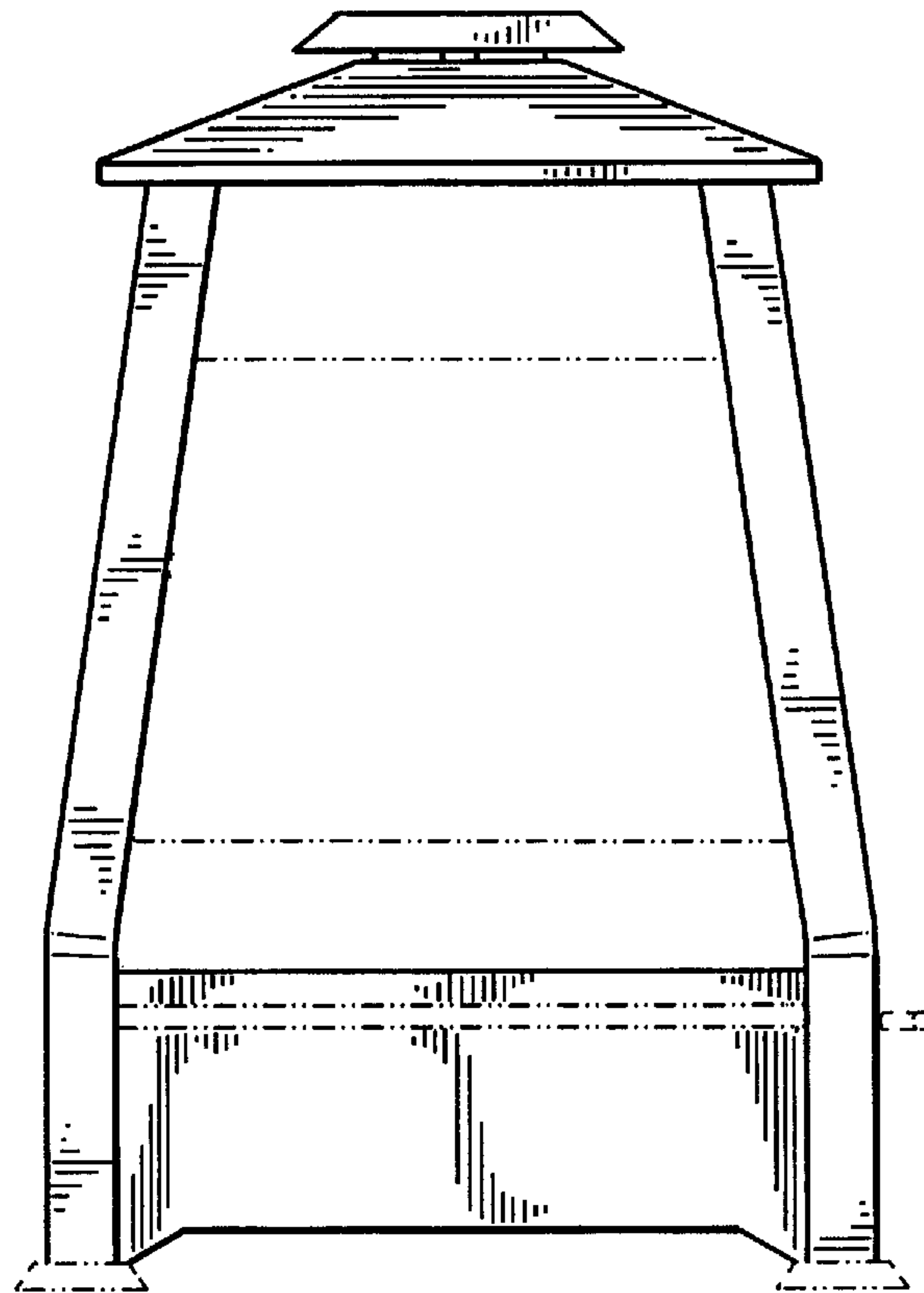


FIG. 5

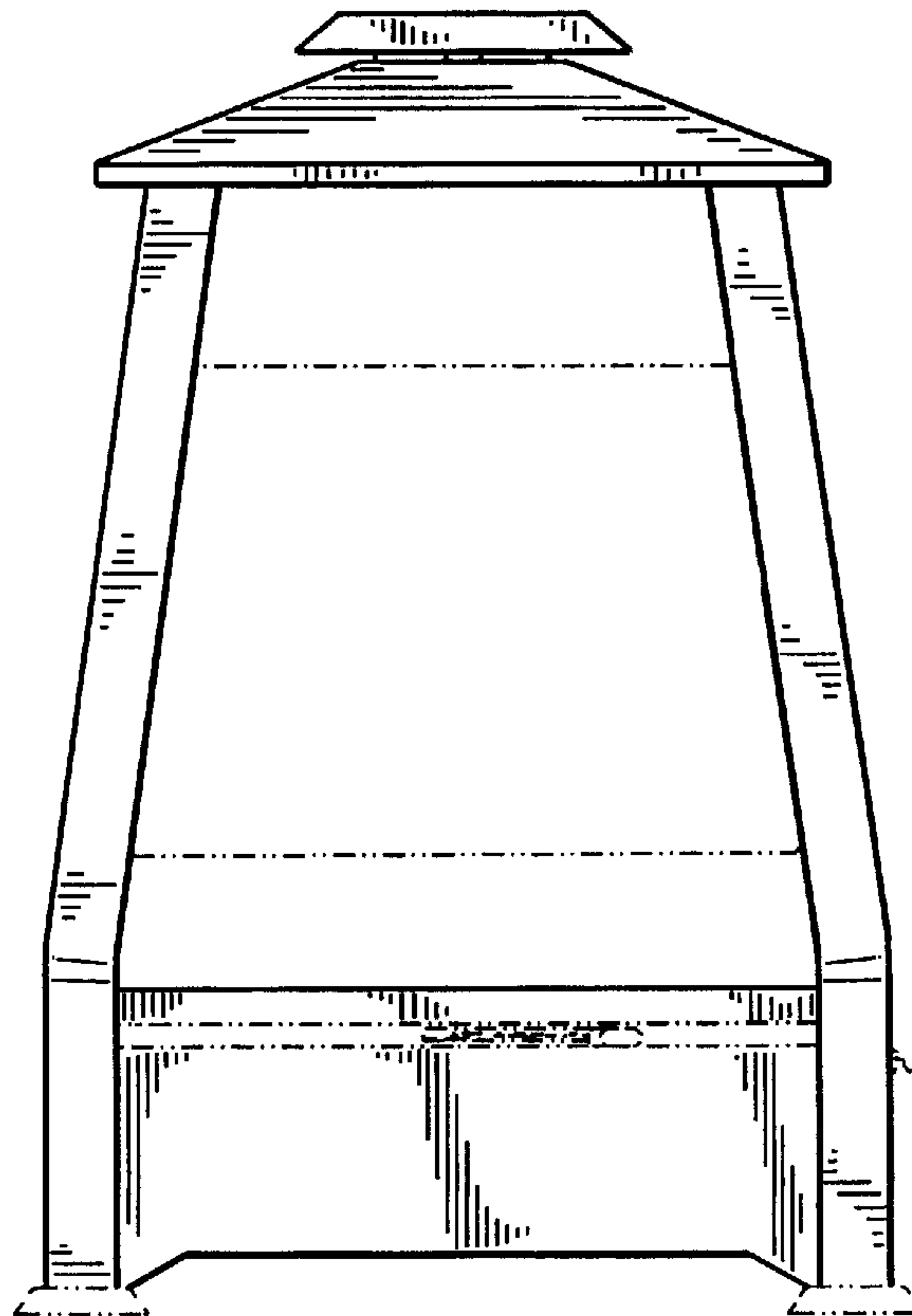


FIG. 6

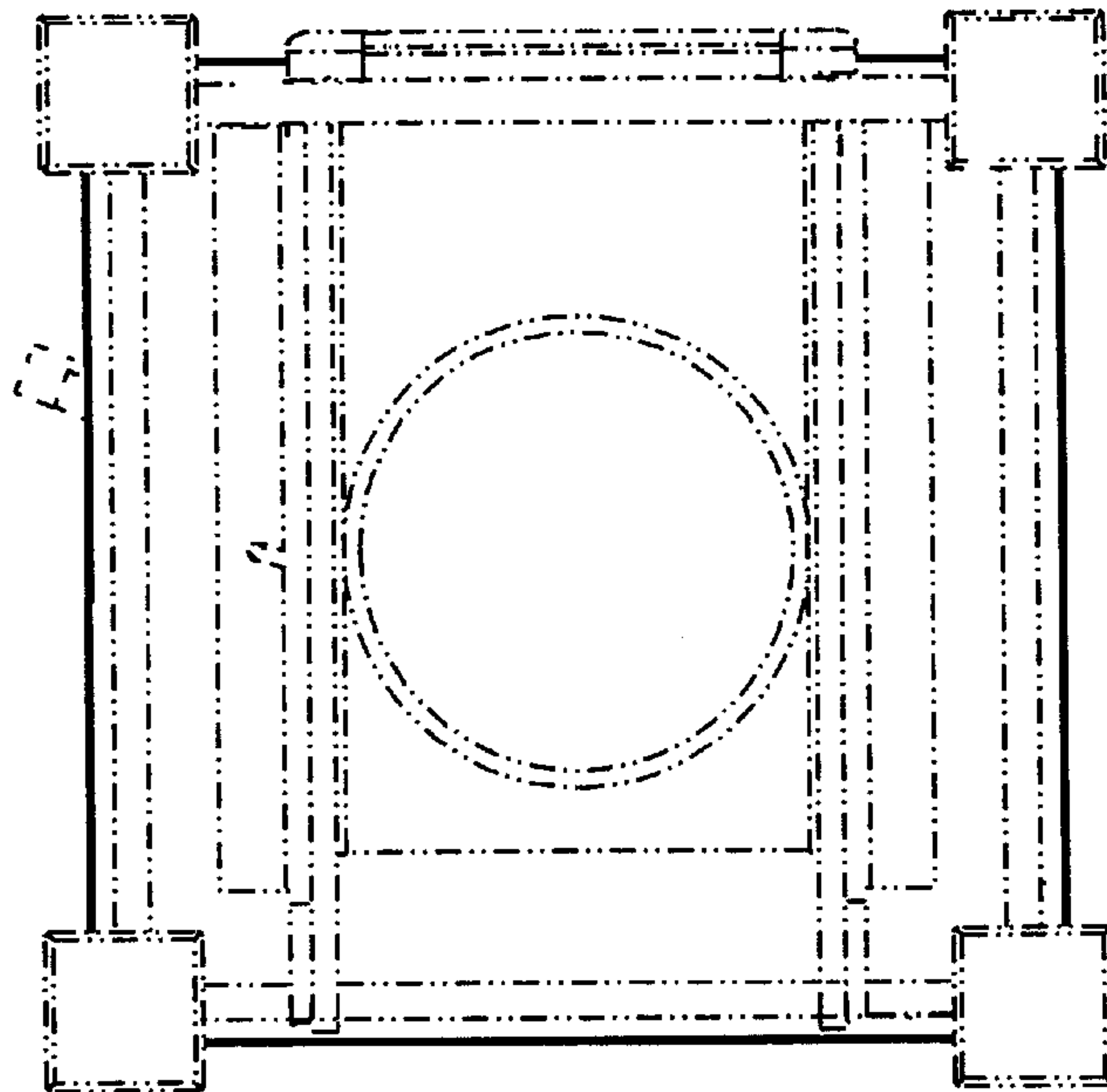
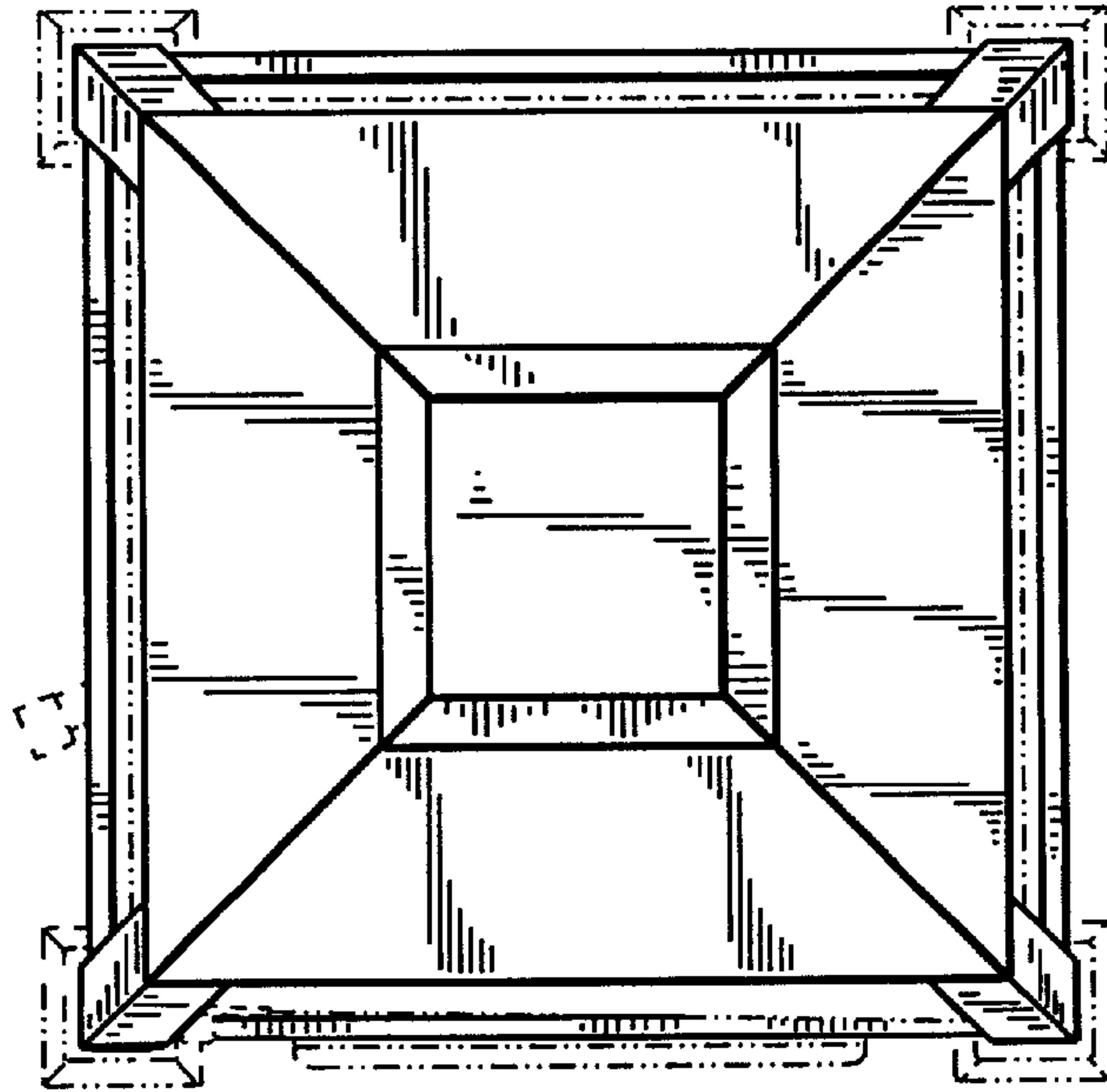


FIG. 7