



US00D535369S

(12) **United States Design Patent**
Sallick et al.

(10) **Patent No.:** **US D535,369 S**

(45) **Date of Patent:** **** Jan. 16, 2007**

(54) **SINK**

D456,065 S * 4/2002 Jones et al. D23/293.1
D510,132 S * 9/2005 Piatt D23/293.1

(75) Inventors: **Peter Sallick**, Westport, CT (US); **Peter Shelton**, New York, NY (US); **Lee Mindel**, New York, NY (US)

* cited by examiner

(73) Assignee: **Waterworks, Inc.**, Danbury, CT (US)

Primary Examiner—Robert A. Delehanty

(**) Term: **14 Years**

(74) *Attorney, Agent, or Firm*—Goodwin Procter, L.L.P.

(21) Appl. No.: **29/236,985**

(57) **CLAIM**

(22) Filed: **Aug. 24, 2005**

The ornamental design for a sink, as shown and described.

(51) **LOC (8) Cl.** **23-02**

DESCRIPTION

(52) **U.S. Cl.** **D23/286**

(58) **Field of Classification Search** D23/273,
D23/284–290, 293.1, 303, 308; 4/619–620,
4/624–625, 630–631, 661; 312/140.1–140.3,
312/204, 228; D6/398, 432–434, 441, 445–448,
D6/509–510

FIG. 1 is a perspective view of the sink showing our new design;

FIG. 2 is a front elevational view thereof;

FIG. 3 is a rear elevational view thereof;

FIG. 4 is a left side elevational view thereof, the right side being a mirror image of the left side;

FIG. 5 is a top plan view thereof;

FIG. 6 is a bottom plan view thereof;

FIG. 7 is a perspective view of a second embodiment of the design of FIG. 1, the only difference being in the shape of the interior of the sink;

FIG. 8 is a top plan view thereof; and,

FIG. 9 is a bottom plan view thereof.

See application file for complete search history.

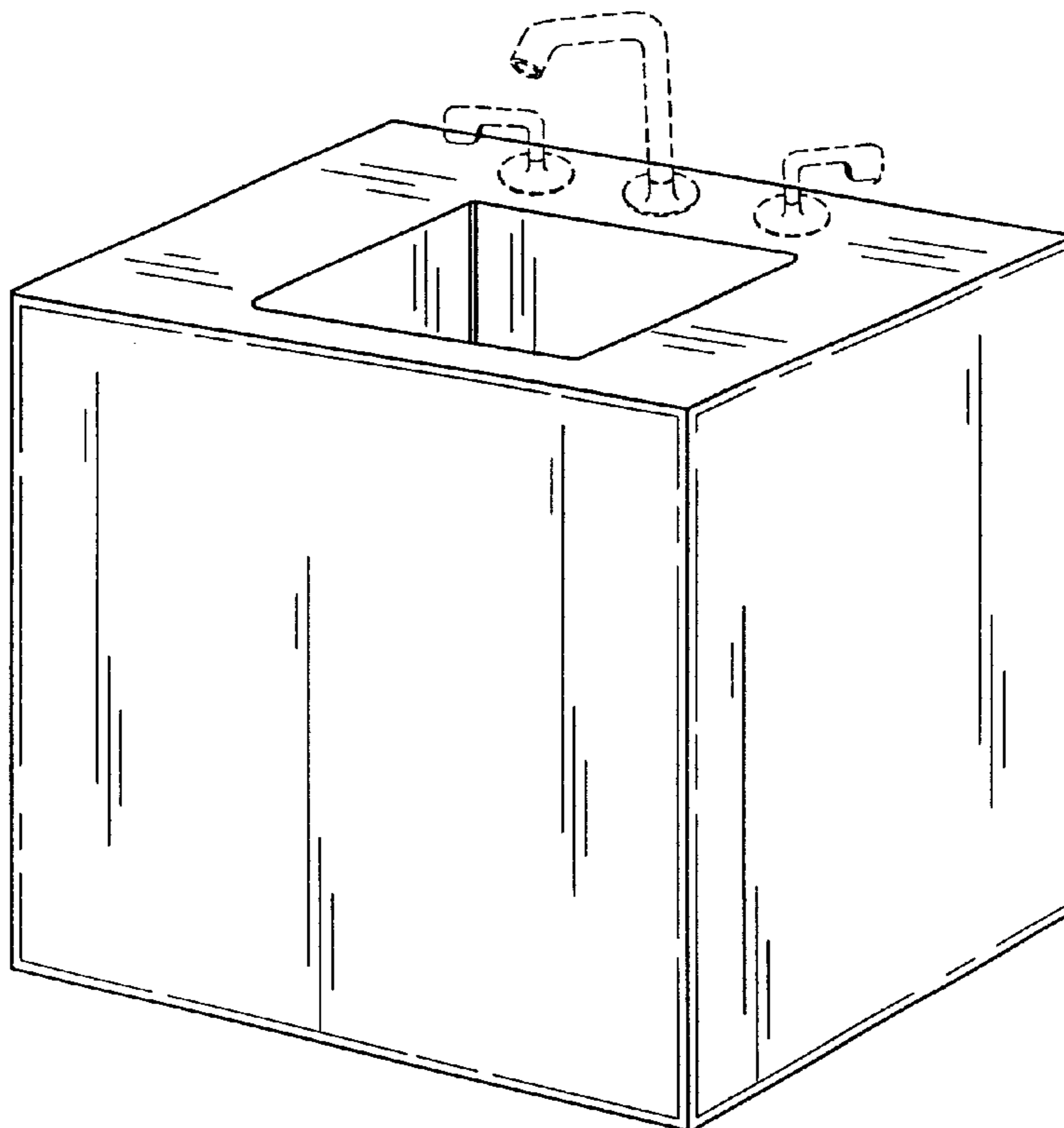
The broken lines in the drawings are shown for environmental purposes only and form no part of the claimed design.

(56) **References Cited**

U.S. PATENT DOCUMENTS

5,031,258 A * 7/1991 Shaw 4/624
5,755,498 A * 5/1998 Cutler 312/235.1

1 Claim, 6 Drawing Sheets



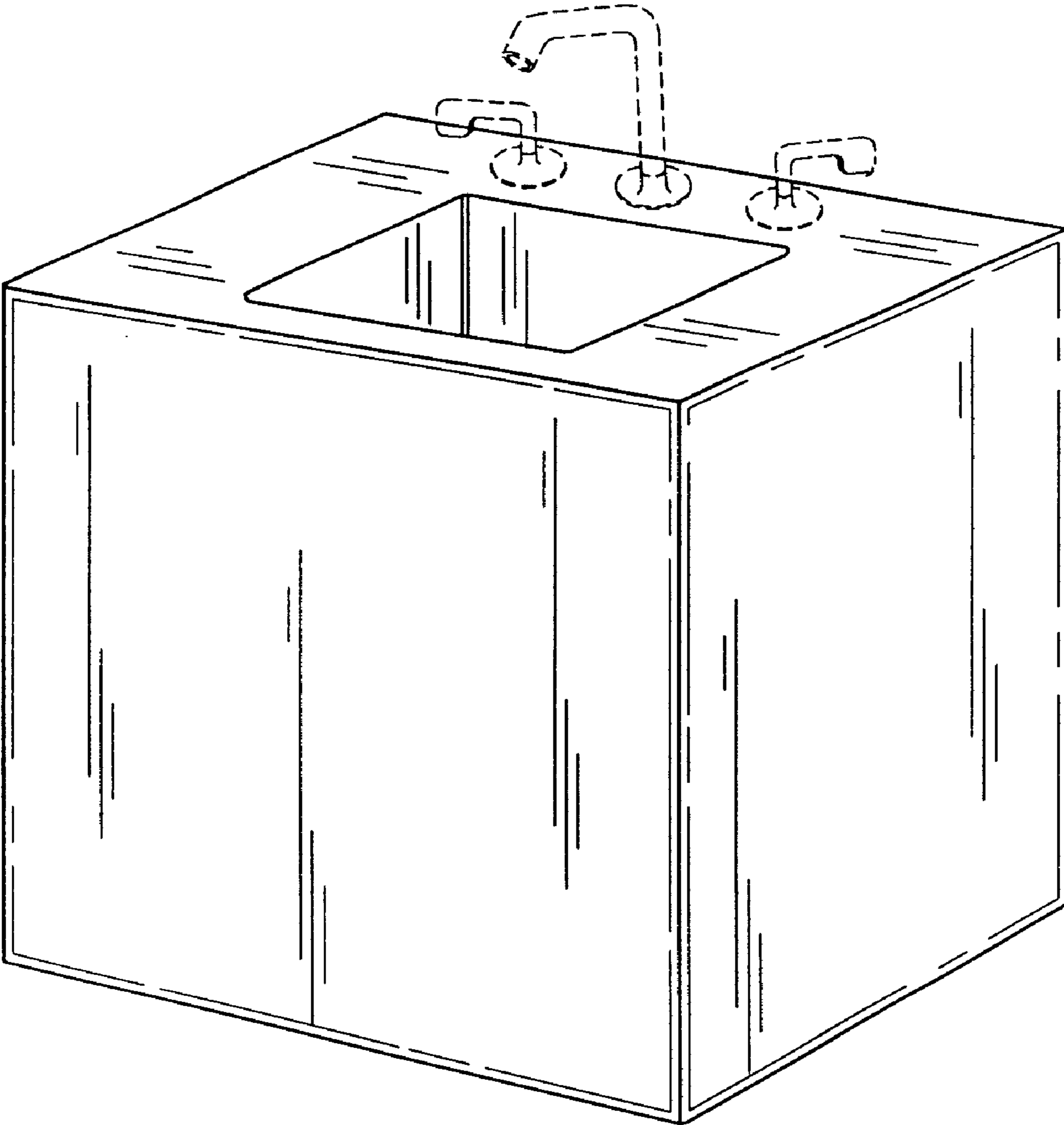


FIG. 1

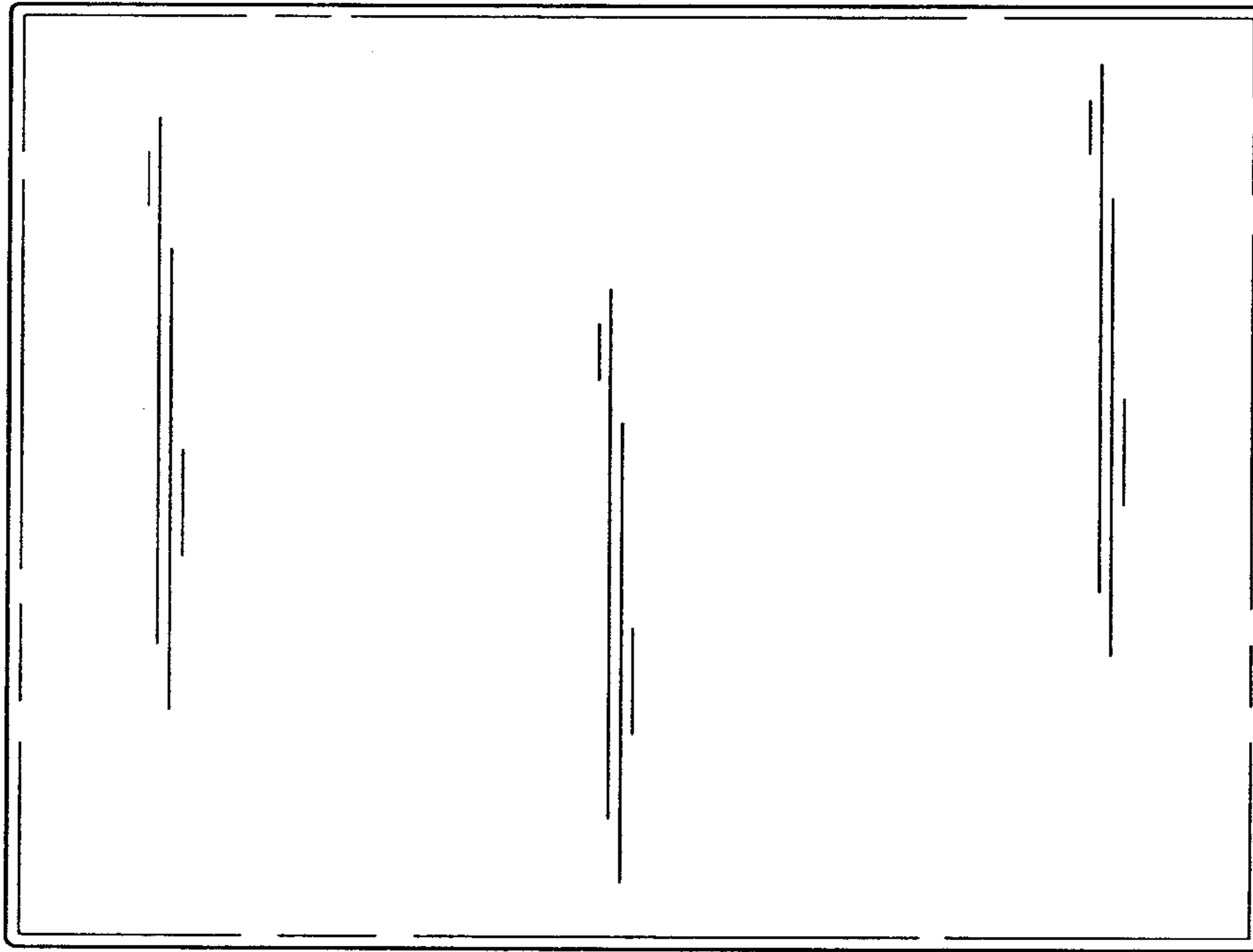


FIG. 2

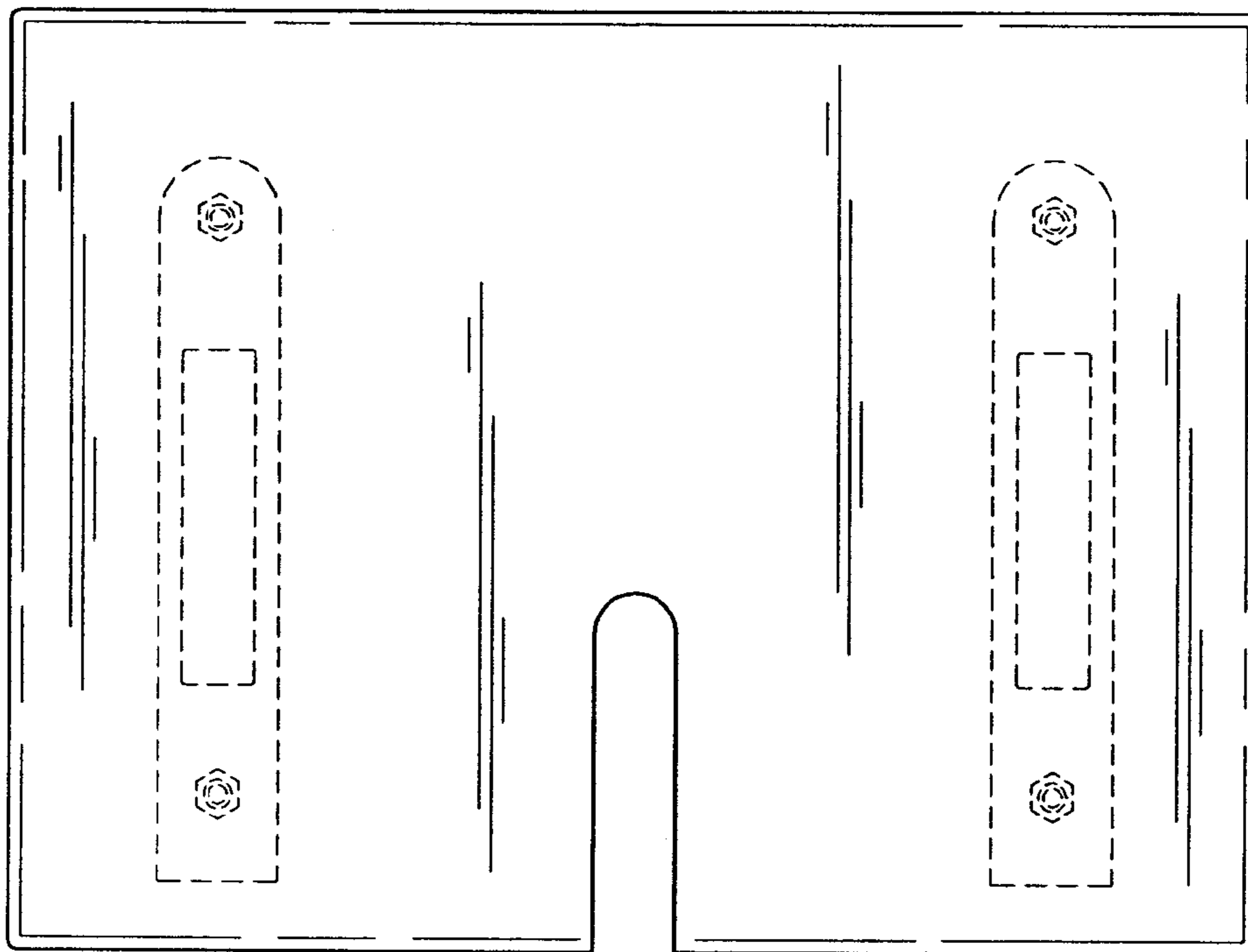


FIG. 3

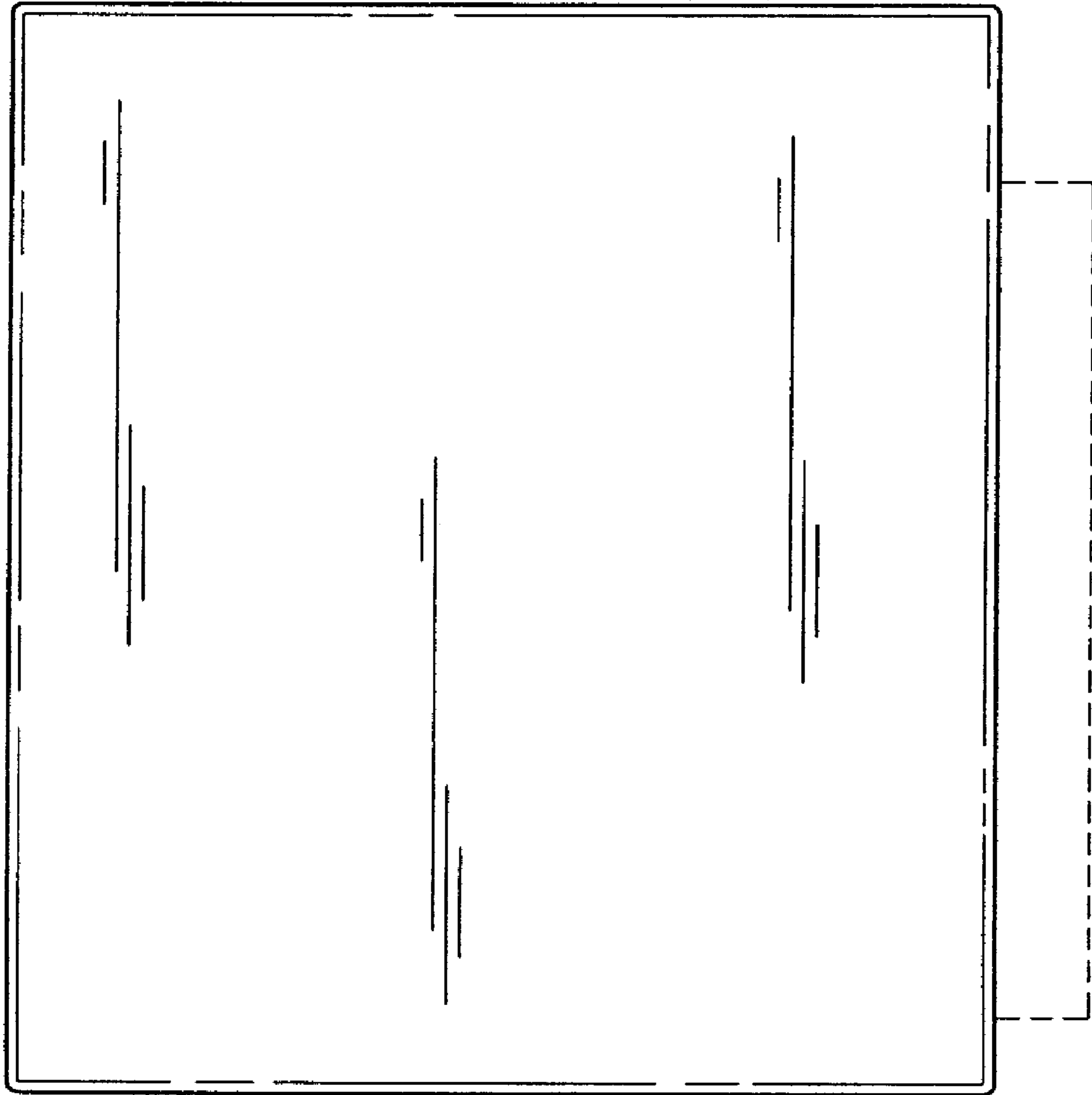


FIG. 4

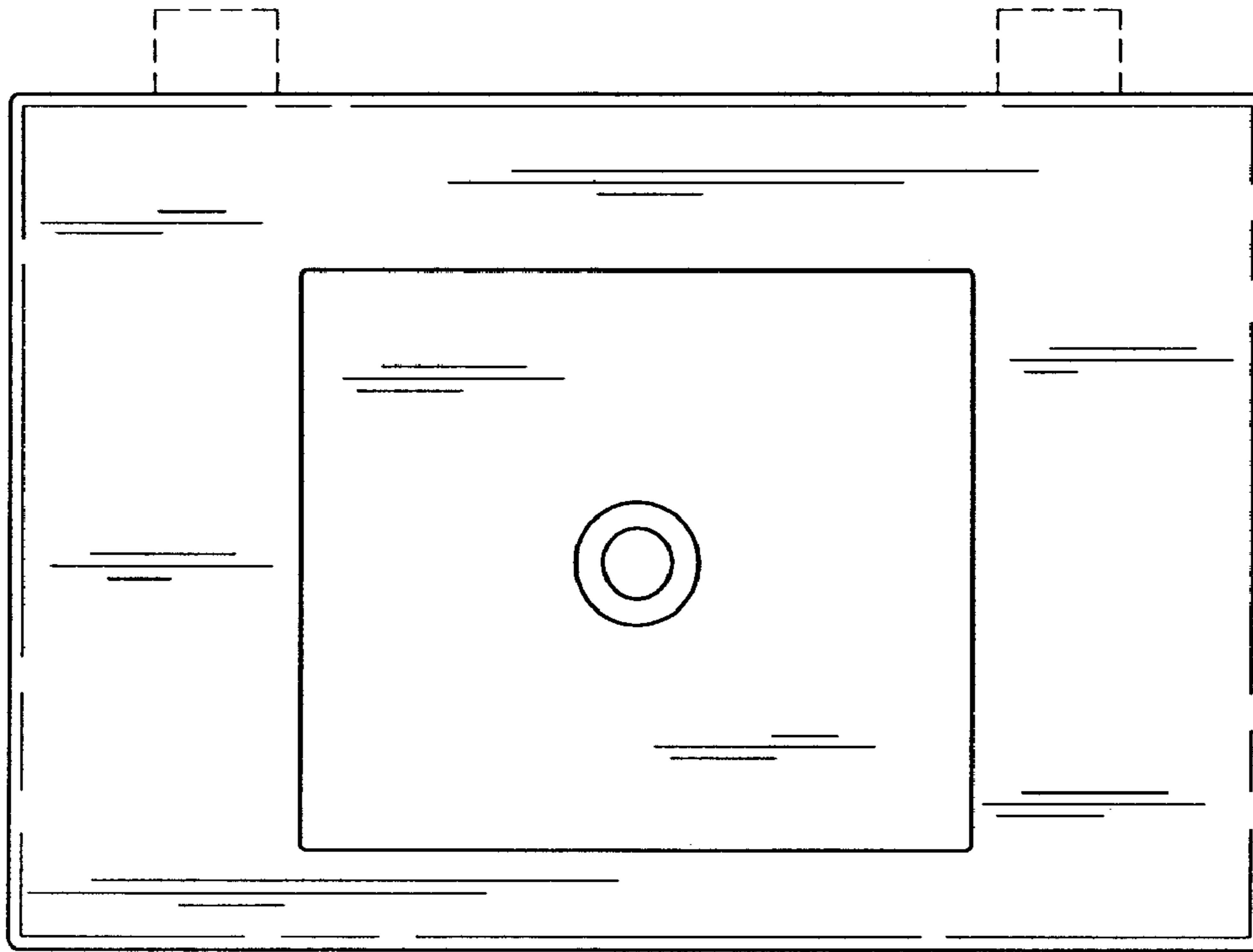


FIG. 5

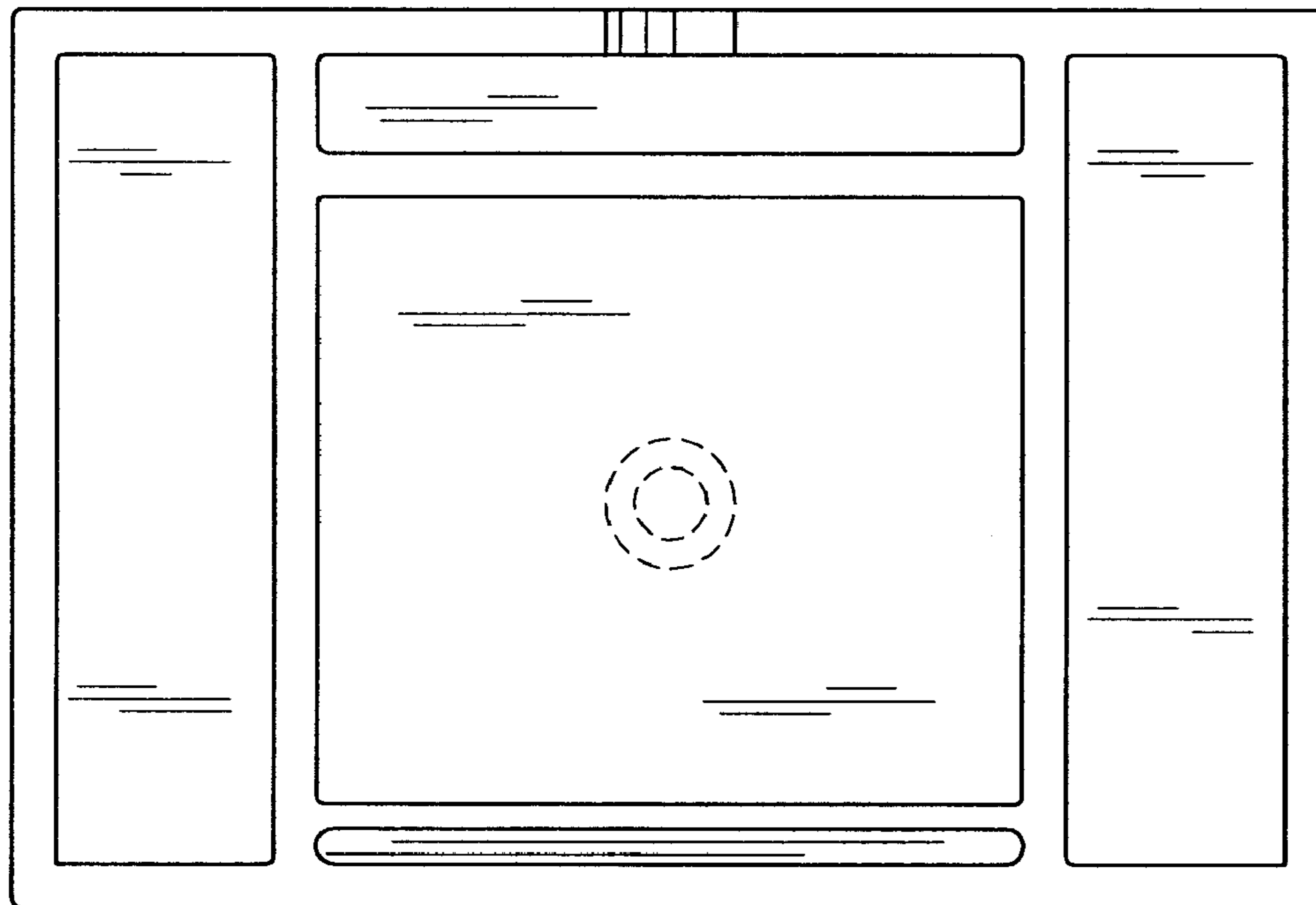


FIG. 6

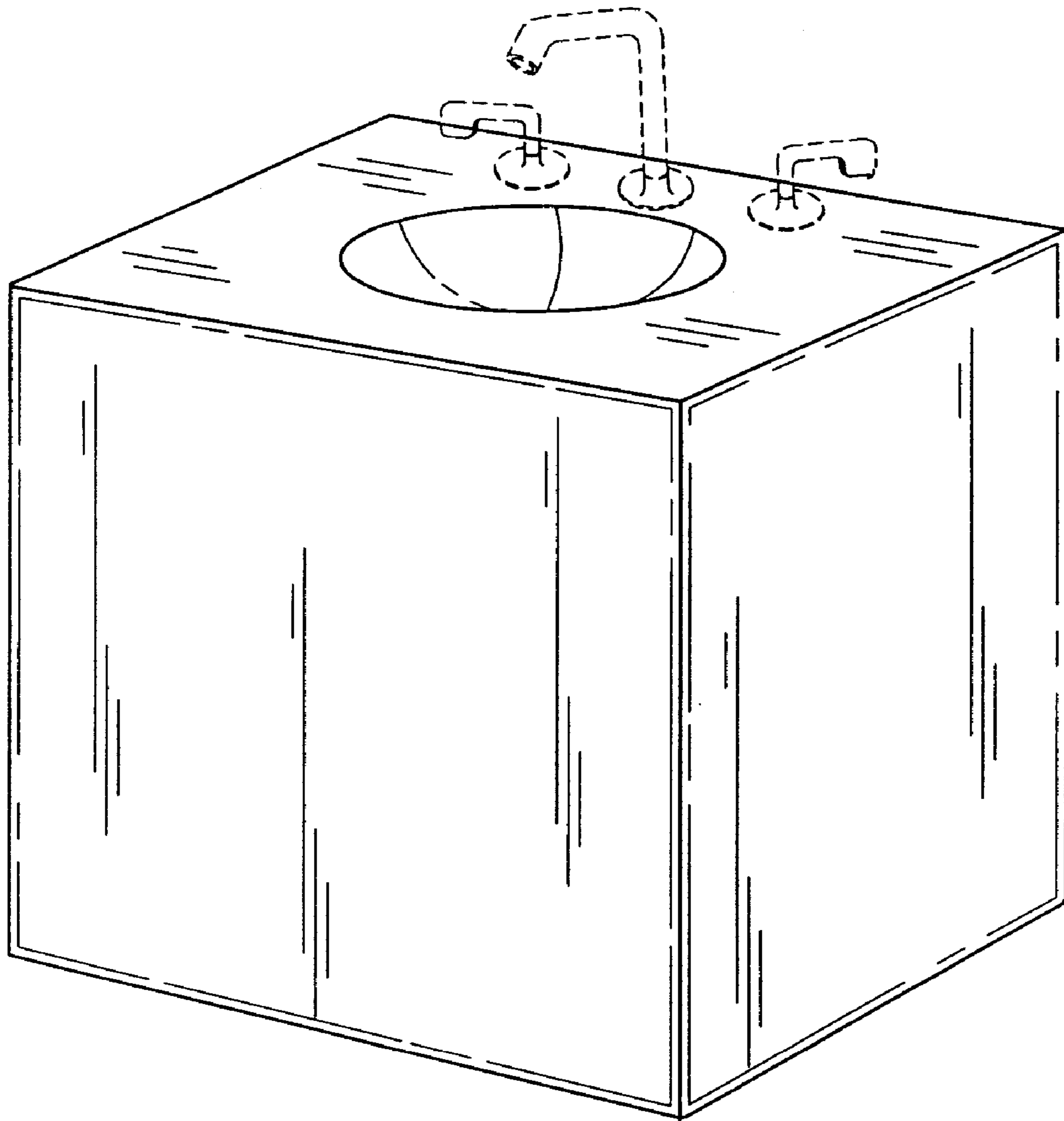


FIG. 7

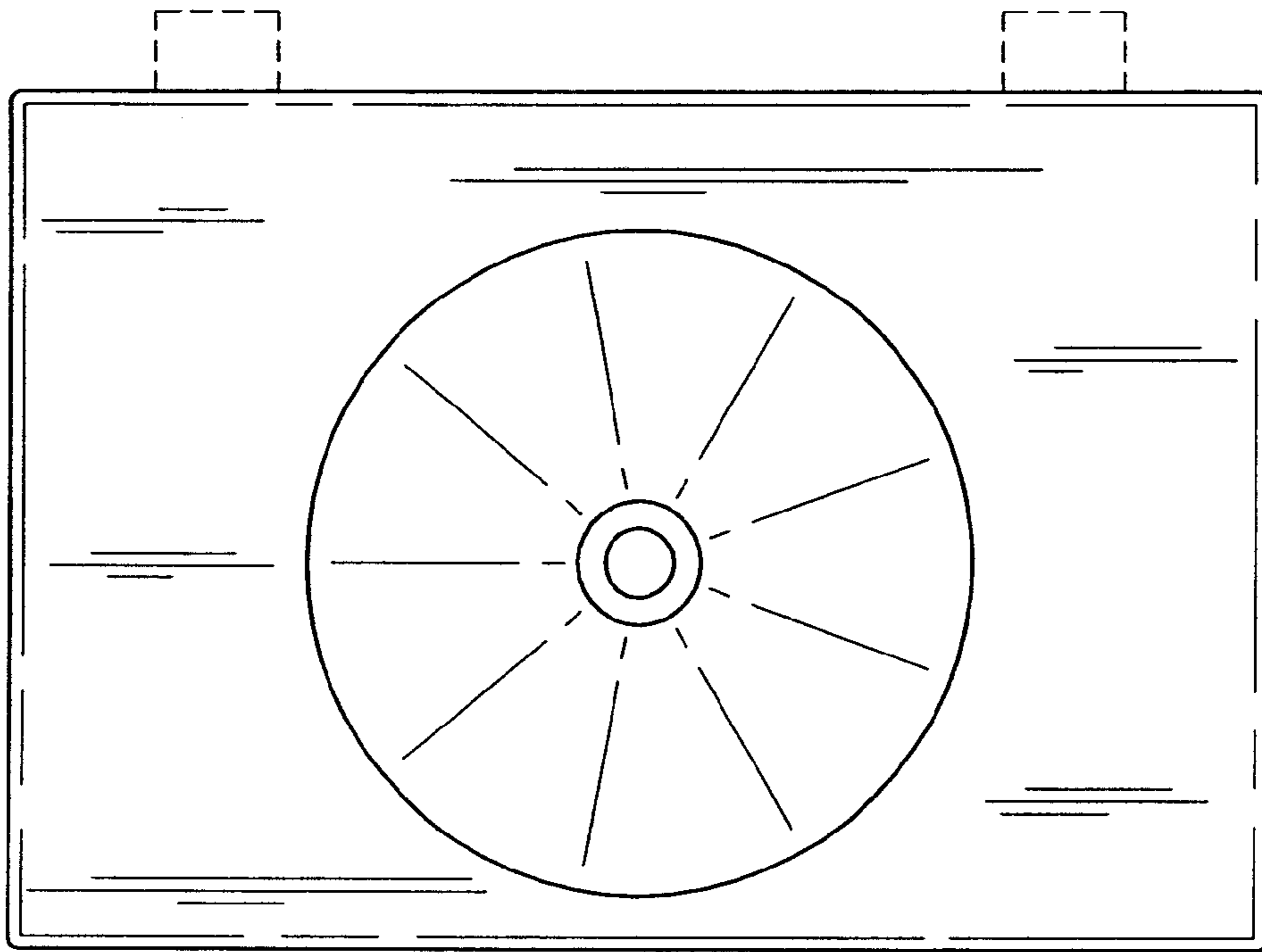


FIG. 8

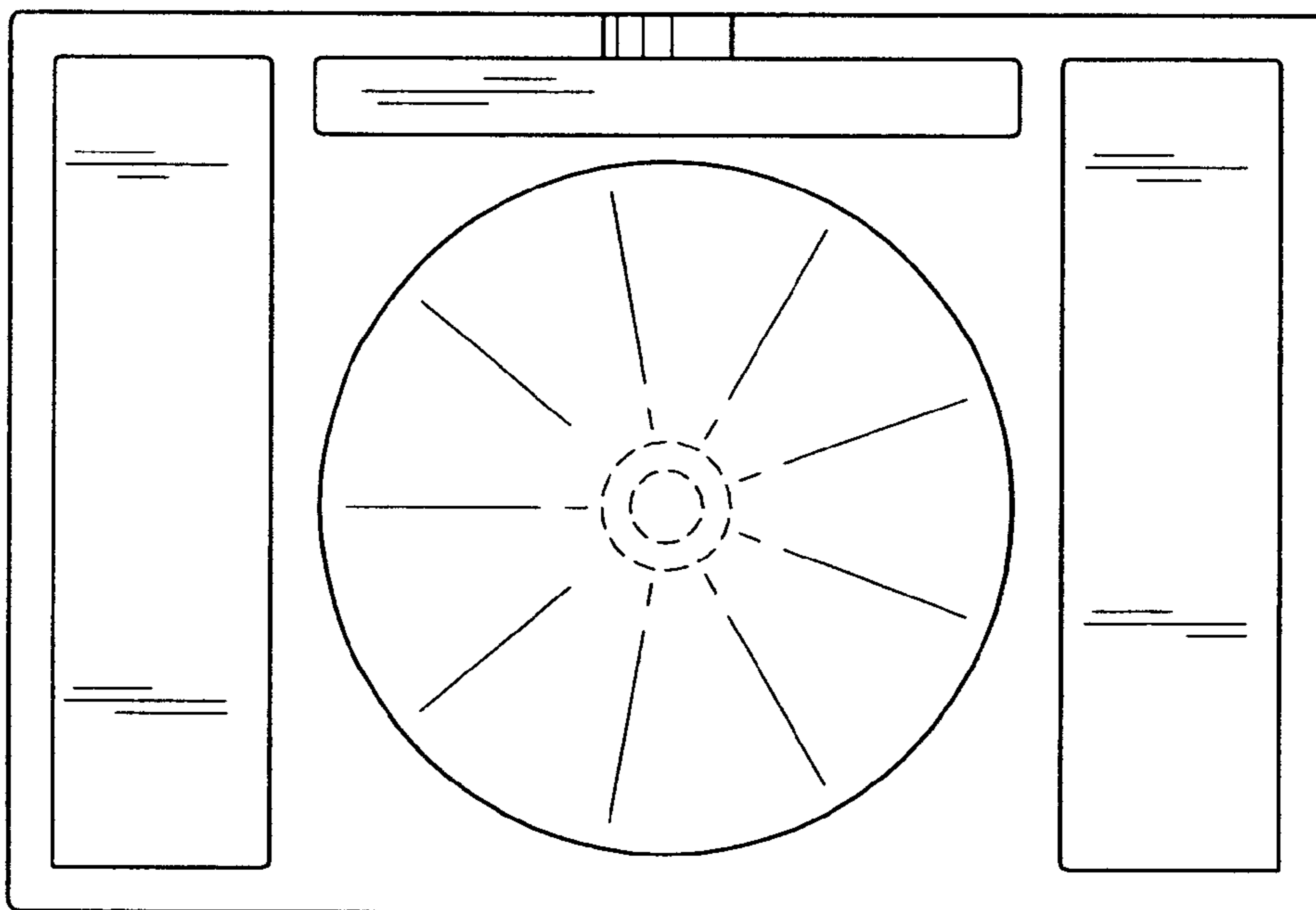


FIG. 9