



US00D535368S

(12) **United States Design Patent**
Nelson

(10) **Patent No.:** **US D535,368 S**

(45) **Date of Patent:** **** Jan. 16, 2007**

(54) **VANITY HAVING CHILD'S PULL-OUT STEP**

D325,478 S * 4/1992 Ward D6/446
5,277,487 A * 1/1994 Simon 312/228
5,755,498 A * 5/1998 Cutler 312/235.1

(76) **Inventor:** **William R. Nelson**, Box 342, Hanska,
MN (US) 56041

* cited by examiner

(**) **Term:** **14 Years**

Primary Examiner—Robert A. Delehanty

(74) *Attorney, Agent, or Firm*—Donald R. Schoonover

(21) **Appl. No.:** **29/221,447**

(57) **CLAIM**

(22) **Filed:** **Jan. 18, 2005**

I claim the ornamental design for a vanity having child's pull-out step, as shown and described.

(51) **LOC (8) Cl.** **23-02**

(52) **U.S. Cl.** **D23/286**

(58) **Field of Classification Search** D23/273,
D23/284-290, 293.1, 303, 308; 4/619-620,
4/624-625, 630-631, 661; 312/140.1-140.3,
312/204, 228; D6/398, 432-434, 441, 445-448,
D6/509-510

DESCRIPTION

See application file for complete search history.

FIG. 1 is a perspective view of a vanity having child's pull-out step showing my new design showing the step extended;

FIG. 2 is a front elevational view thereof;

FIG. 3 is a rear elevational view thereof;

FIG. 4 is a right side elevational view thereof showing the step extended, the left side elevational view being a mirror image thereof;

FIG. 5 is a top plan view thereof; and,

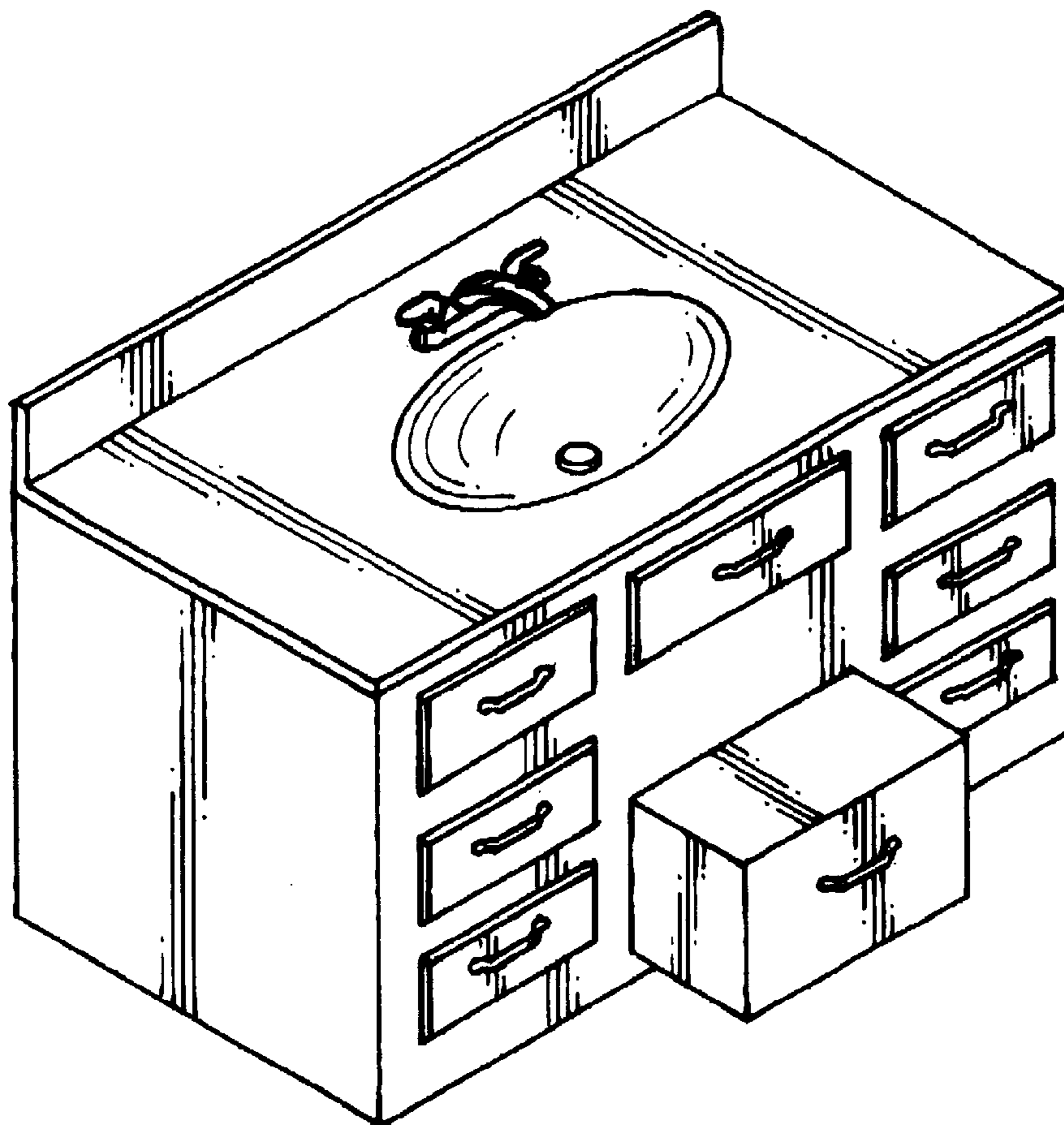
FIG. 6 is a bottom plan view thereof showing the step extended.

(56) **References Cited**

U.S. PATENT DOCUMENTS

D144,671 S * 5/1946 Adolf D23/286
D173,804 S 1/1955 Goldman et al.
4,135,604 A 1/1979 Ryan
D260,683 S 9/1981 Kokoska

1 Claim, 4 Drawing Sheets



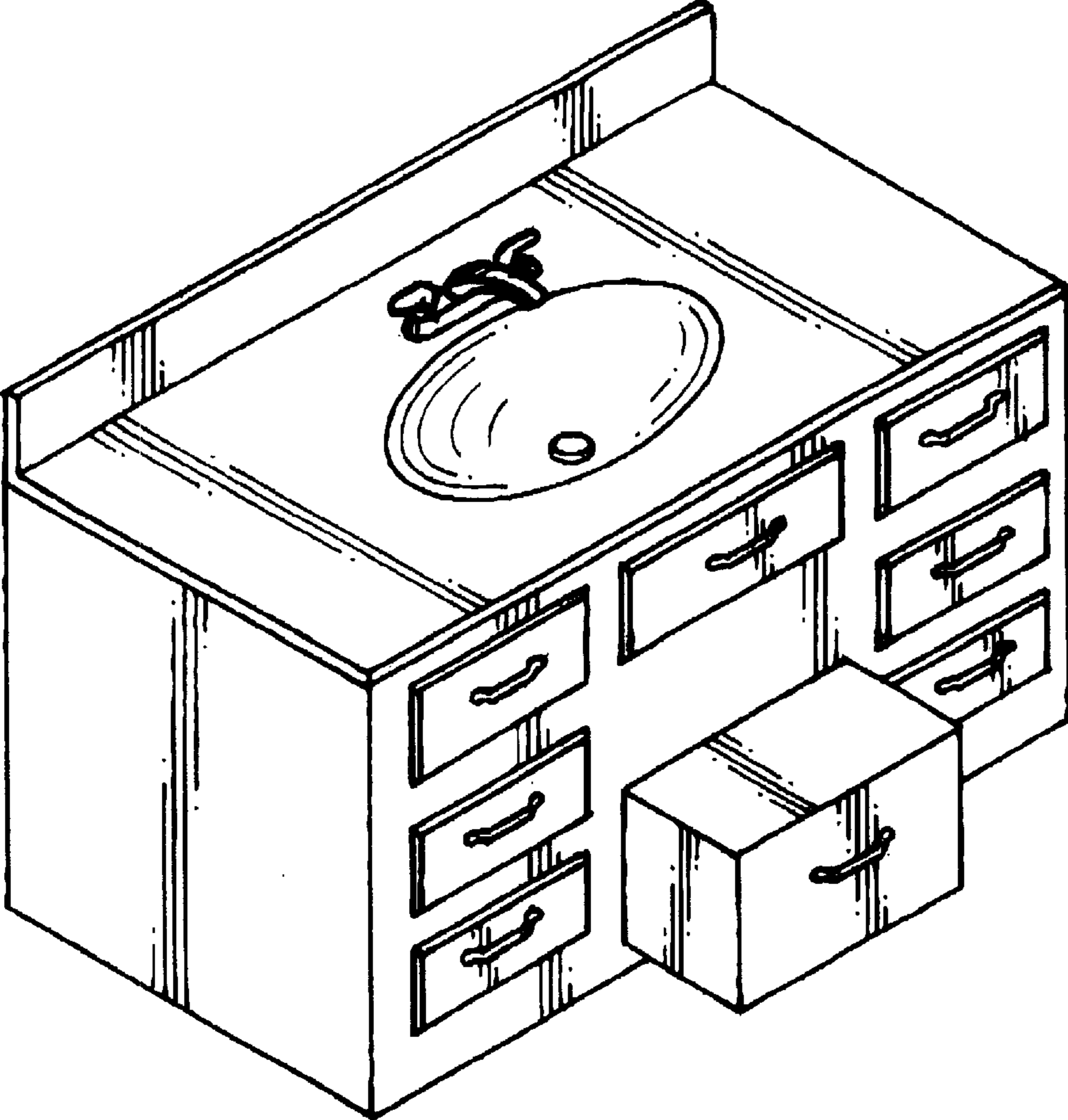


FIG. 1.

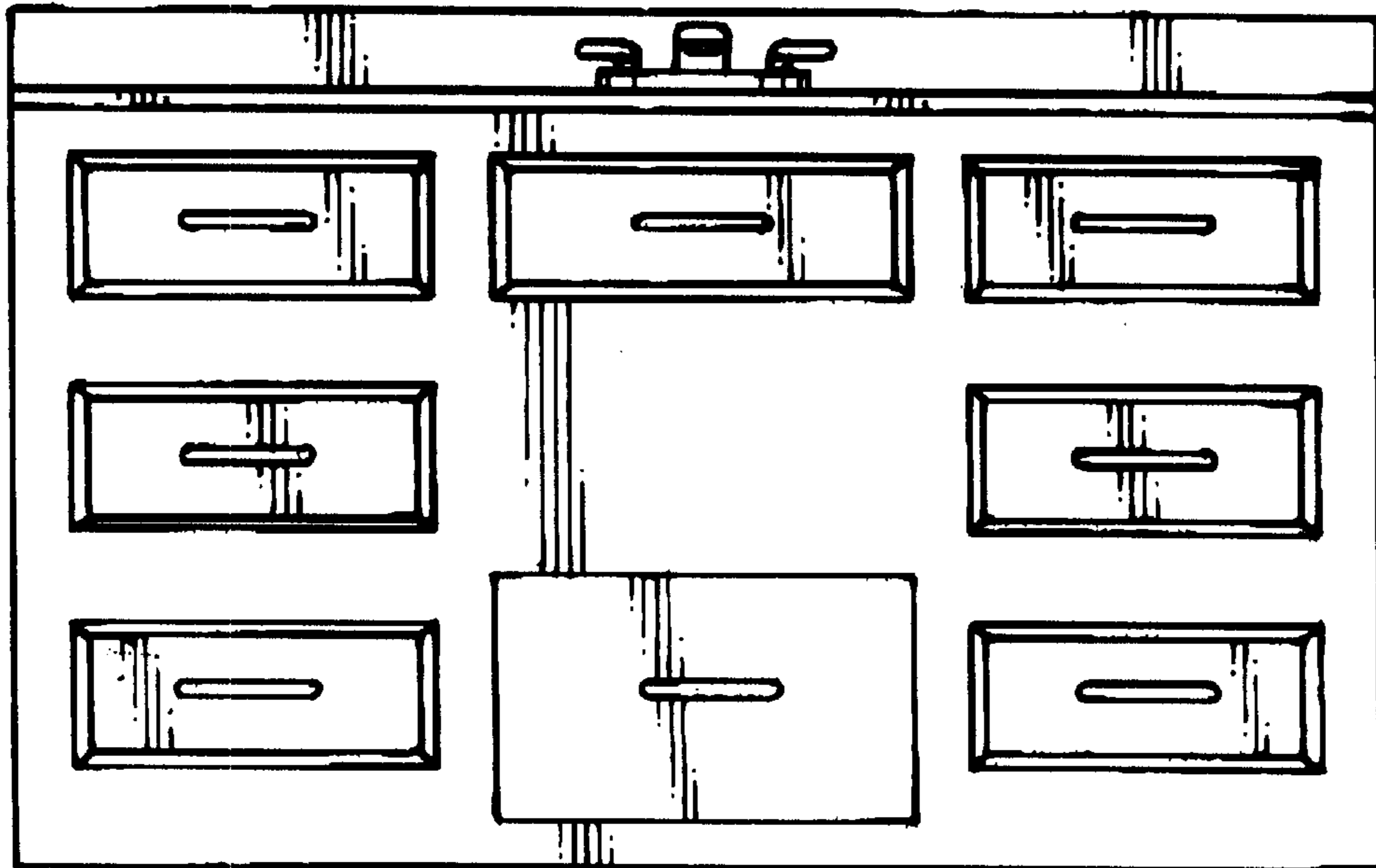


FIG. 2.

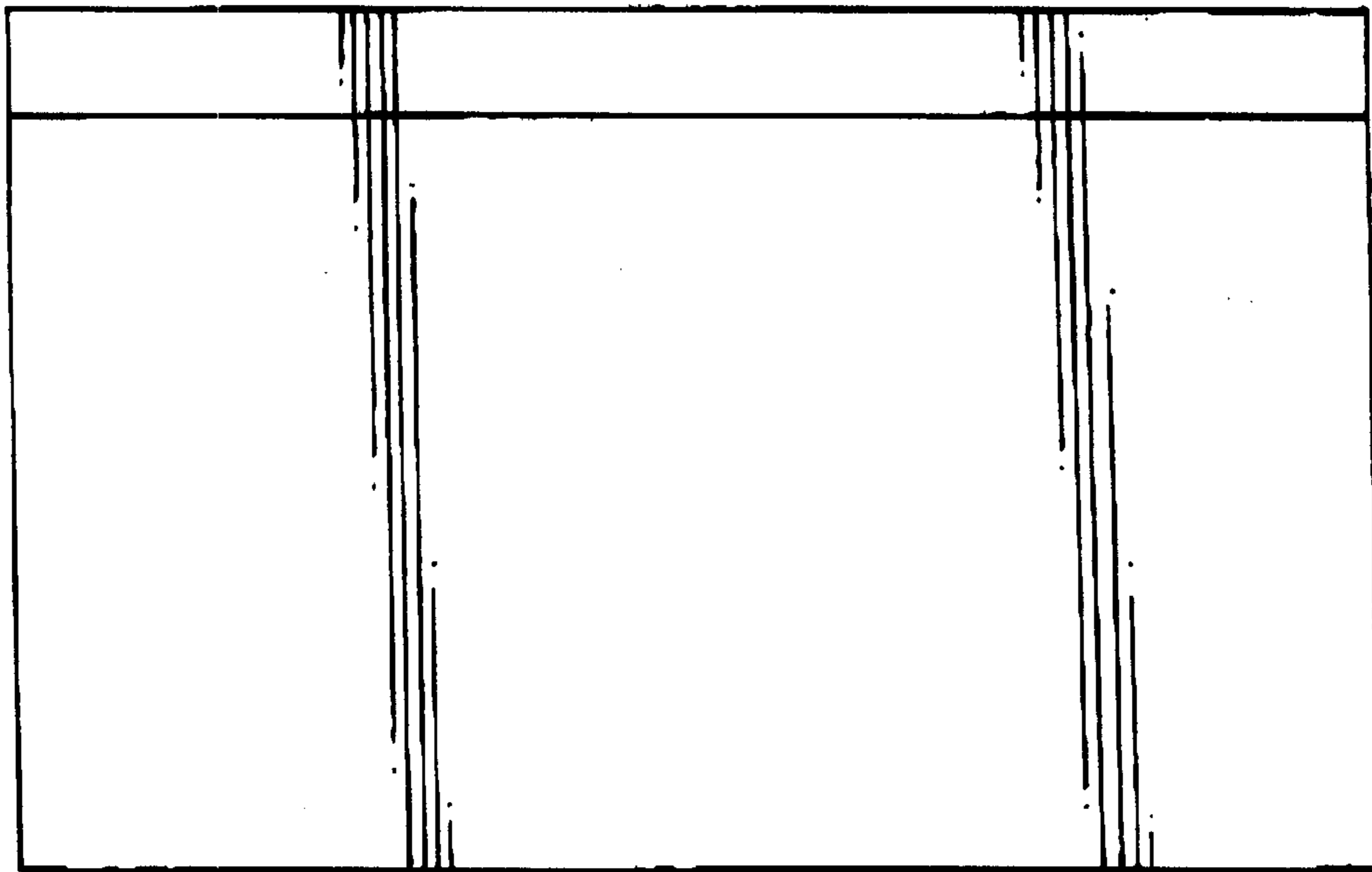


FIG. 3.

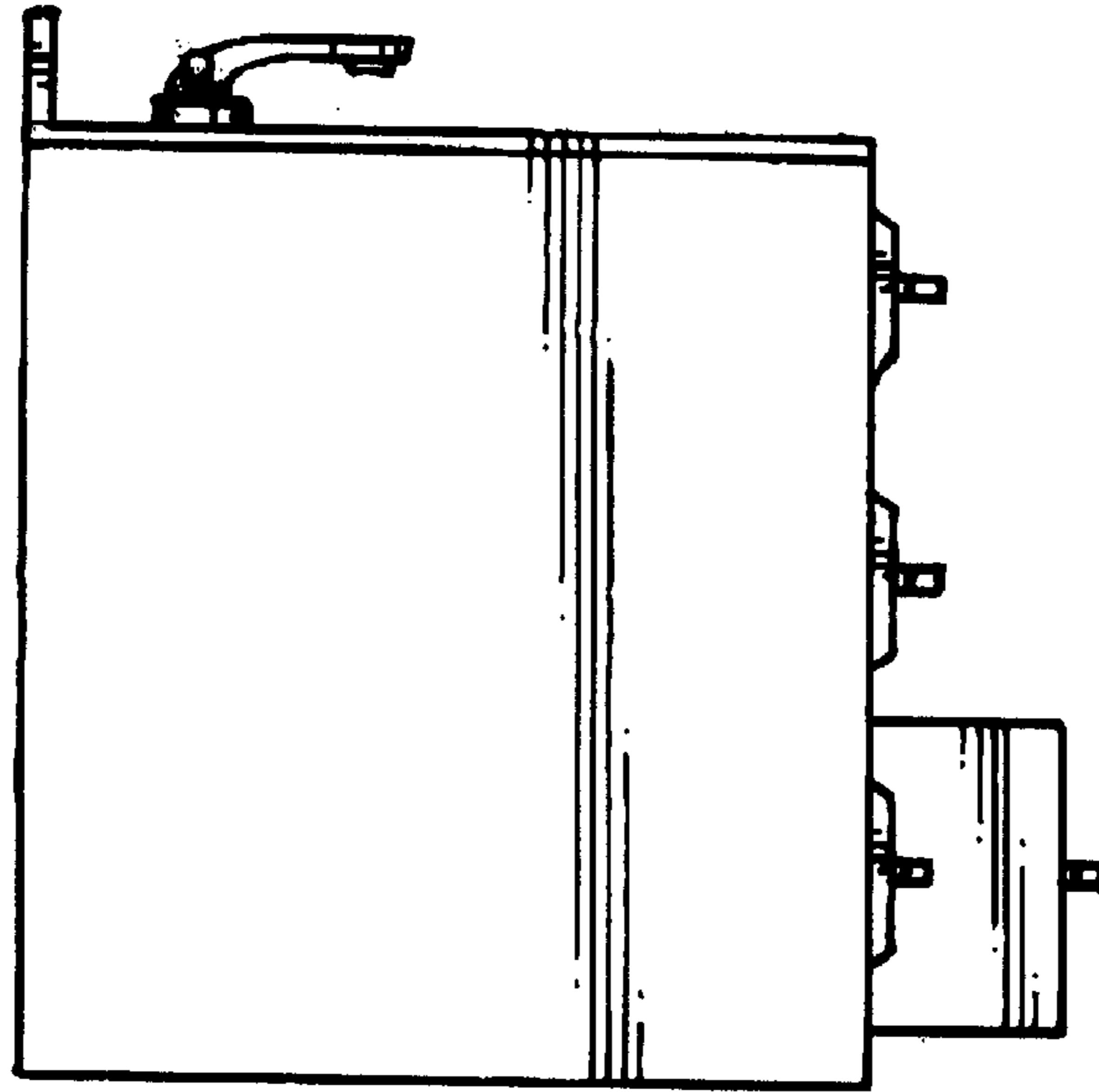


FIG. 4.

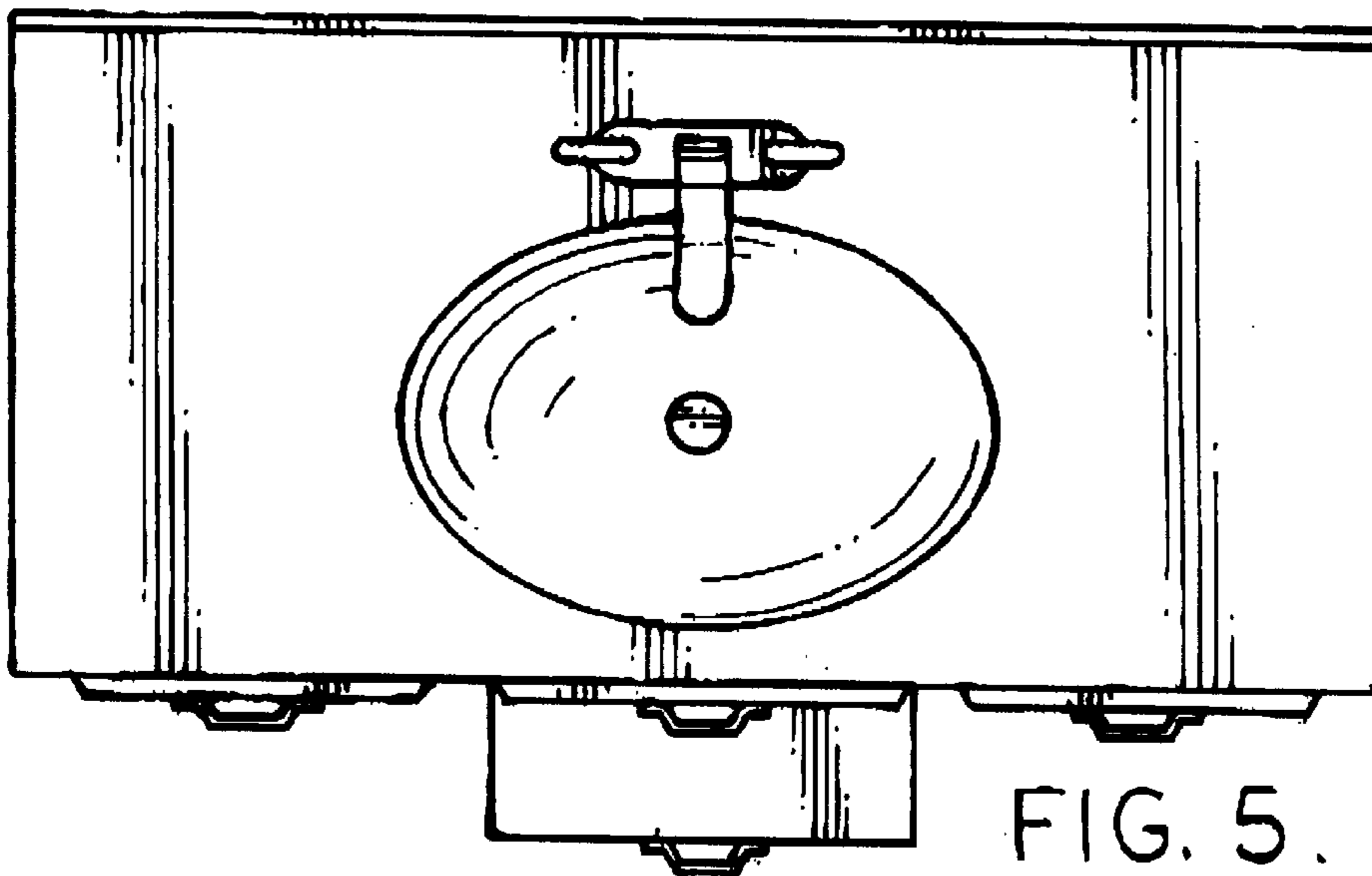


FIG. 5.

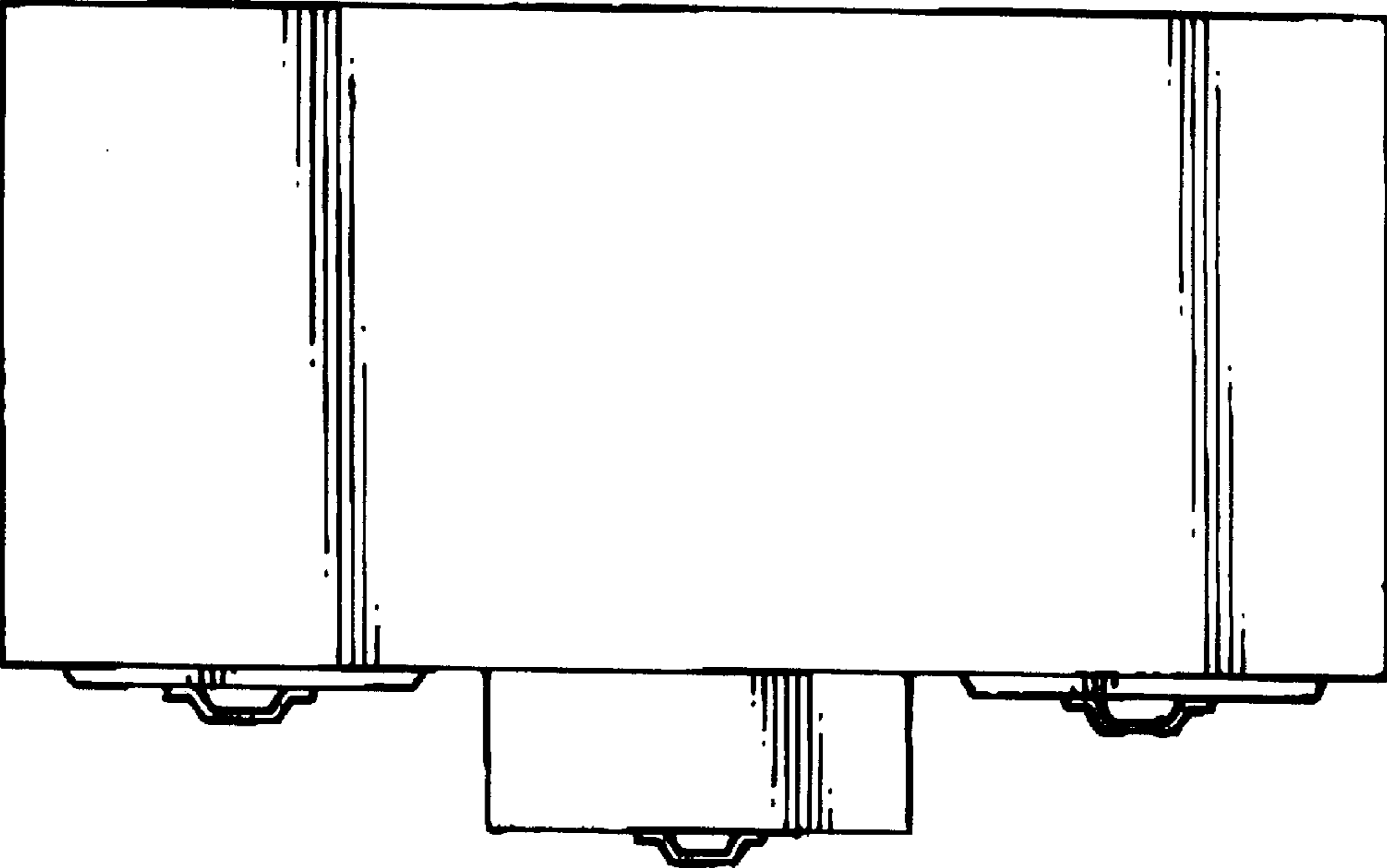


FIG. 6