



US00D535366S

(12) **United States Design Patent**
Sedwick

(10) **Patent No.:** **US D535,366 S**

(45) **Date of Patent:** **** Jan. 16, 2007**

- (54) **SPOUT**
 - (75) Inventor: **Jennifer Sedwick**, Lakewood, OH (US)
 - (73) Assignee: **Moen Incorporated**, North Olmsted, OH (US)
 - (**) Term: **14 Years**
 - (21) Appl. No.: **29/251,564**
 - (22) Filed: **Jan. 10, 2006**
 - (51) **LOC (8) Cl.** **23-01**
 - (52) **U.S. Cl.** **D23/255**
 - (58) **Field of Classification Search** D23/238-257;
4/675-678; 137/801
- See application file for complete search history.

- D441,433 S 5/2001 Spangler
- D457,224 S 5/2002 Gottwald
- D457,939 S 5/2002 Gottwald
- D463,848 S 10/2002 Haug et al.
- D465,558 S 11/2002 Ouyoung
- D469,510 S 1/2003 Marshall
- D470,224 S 2/2003 Hanna
- D470,916 S 2/2003 Friedrich
- D473,630 S 4/2003 Wettstein et al.
- D475,125 S 5/2003 Marinov
- D487,923 S 3/2004 Fraser et al.
- D487,924 S 3/2004 Lin
- D487,925 S 3/2004 Lin
- D488,540 S 4/2004 Ouyoung
- D488,541 S 4/2004 Lin
- D488,542 S 4/2004 Spiegelberg et al.
- D490,504 S 5/2004 Lin
- D491,639 S 6/2004 Egee
- D492,014 S 6/2004 Lin
- 6,757,921 B1 7/2004 Esche
- D497,409 S 10/2004 Valfridson
- 6,802,334 B1 10/2004 Ericsson
- D499,795 S 12/2004 Bayer
- D503,777 S 4/2005 Costello et al.

(56) **References Cited**
U.S. PATENT DOCUMENTS

- D87,328 S 7/1932 Brotz
- D285,597 S 9/1986 Miller et al.
- D288,835 S 3/1987 Yost
- D312,495 S 11/1990 Joerger
- D314,813 S 2/1991 Jans
- D318,906 S 8/1991 Spangler
- D320,645 S 10/1991 Knapp et al.
- D350,390 S 9/1994 Bollenbacher
- D351,218 S 10/1994 Sieger
- D364,215 S 11/1995 Starck
- D364,218 S 11/1995 Hill et al.
- D376,413 S 12/1996 Kergoet
- D387,133 S 12/1997 Donahue et al.
- D406,323 S 3/1999 Snyder
- D409,292 S 5/1999 Hyde et al.
- D426,873 S 6/2000 Milrud et al.
- D428,973 S 8/2000 Spangler
- D429,317 S 8/2000 Spangler
- D429,318 S 8/2000 Spangler
- D429,523 S 8/2000 Spangler
- D438,286 S 2/2001 Mark et al.
- D438,602 S 3/2001 Milrud et al.
- D438,934 S 3/2001 Mark et al.
- D440,635 S 4/2001 Fleischmann

Primary Examiner—Louis S. Zarfaz
Assistant Examiner—Gregory Andoll
(74) *Attorney, Agent, or Firm*—Calfee, Halter & Griswold LLP

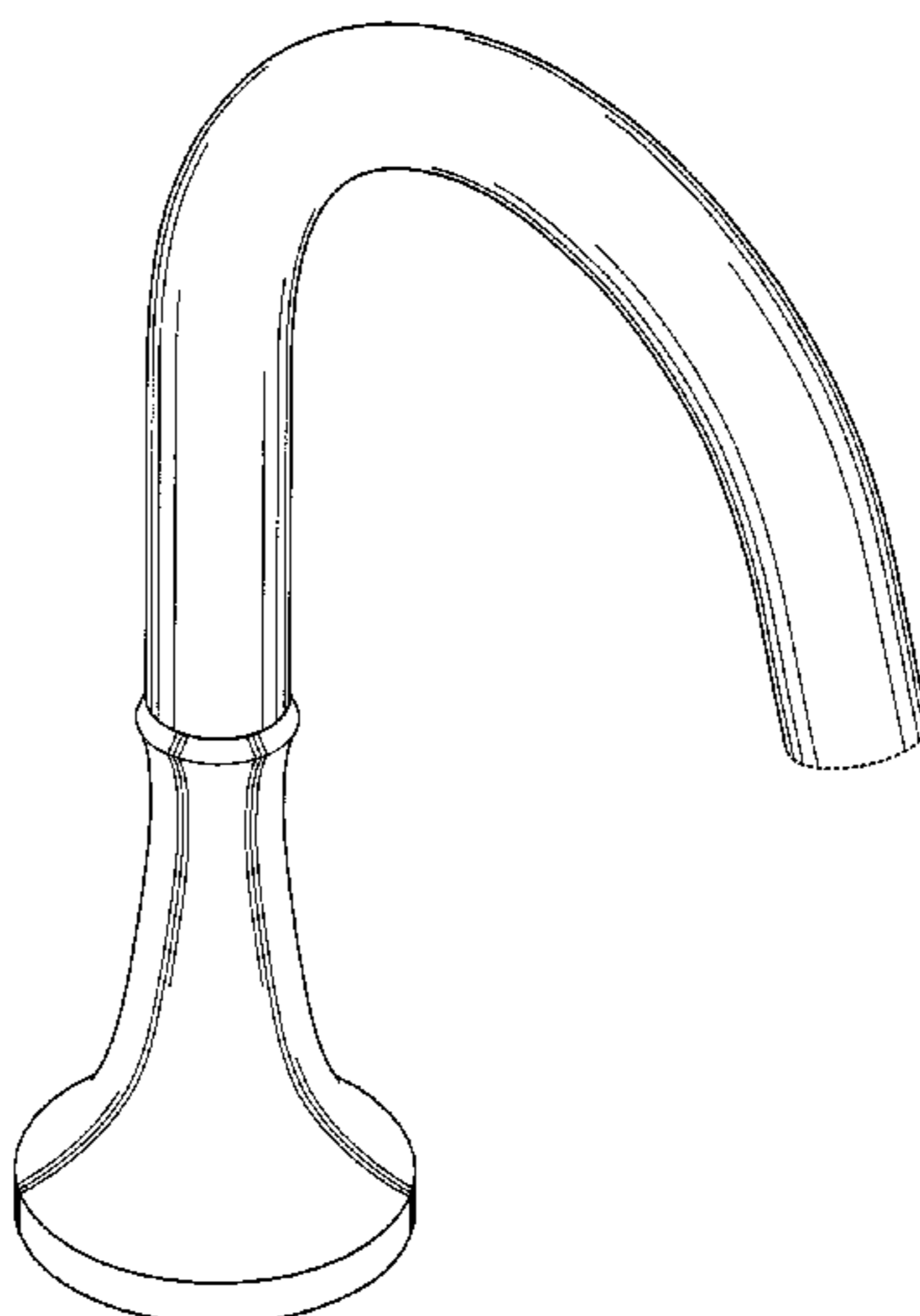
(57) **CLAIM**

The ornamental design for a spout, as shown and described.

DESCRIPTION

FIG. 1 is a perspective view of a spout of the new design; FIG. 2 is a front elevational view of the spout of FIG. 1; FIG. 3 is a rear elevational view of the spout of FIG. 1; FIG. 4 is a left elevational view of the spout of FIG. 1; FIG. 5 is a right elevational view of the spout of FIG. 1; FIG. 6 is a top plan view of the spout of FIG. 1; and, FIG. 7 is a bottom plan view of the spout of FIG. 1. The portions of the Figures shown in broken lines are not part of the claimed design and are for illustration only.

1 Claim, 5 Drawing Sheets



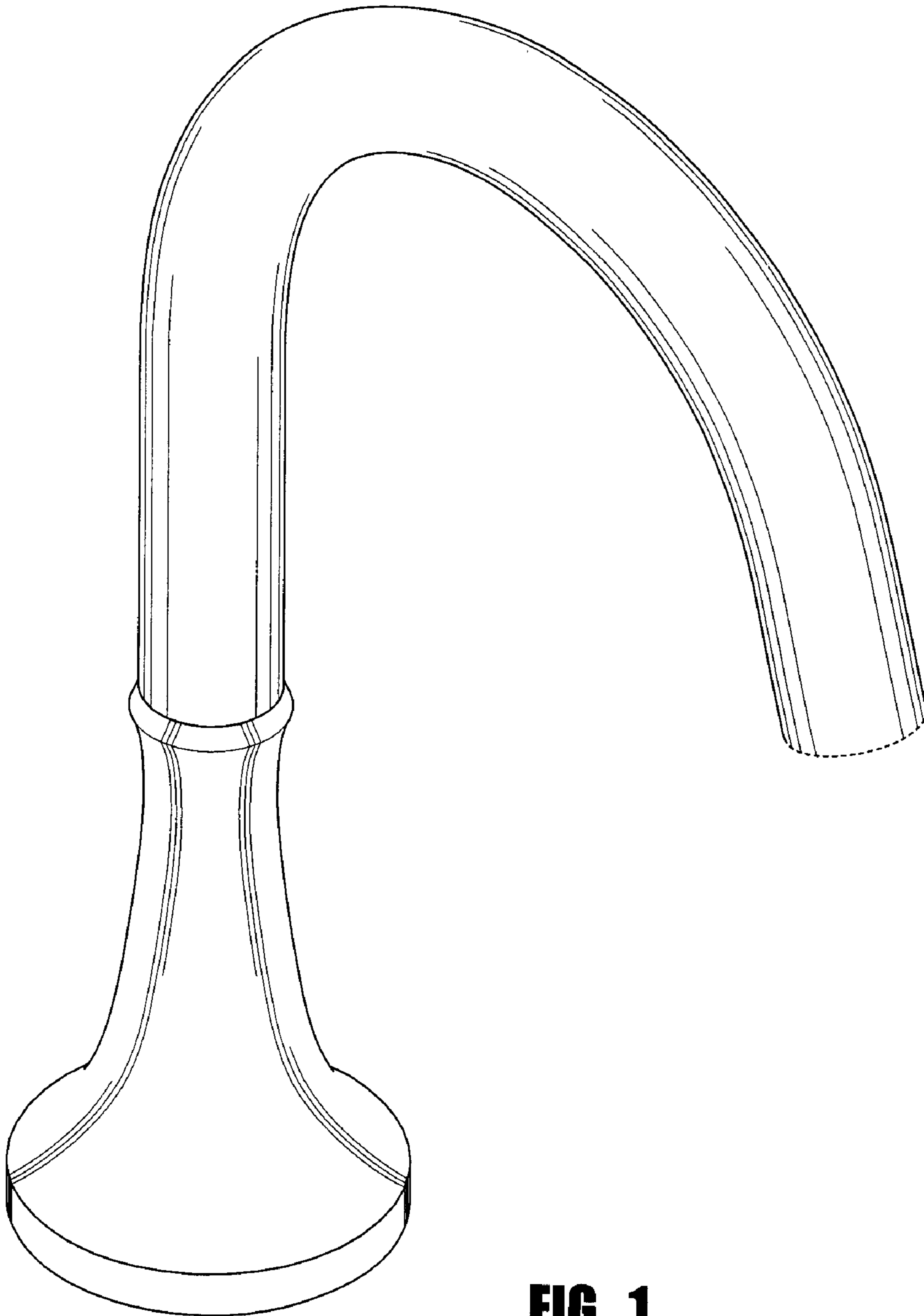


FIG. 1

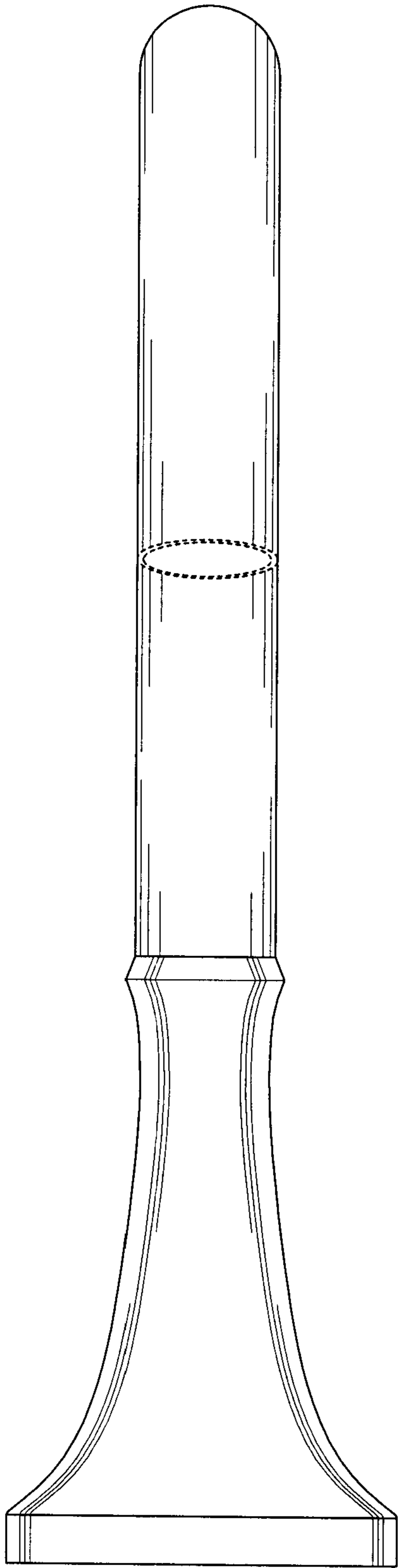


FIG. 2

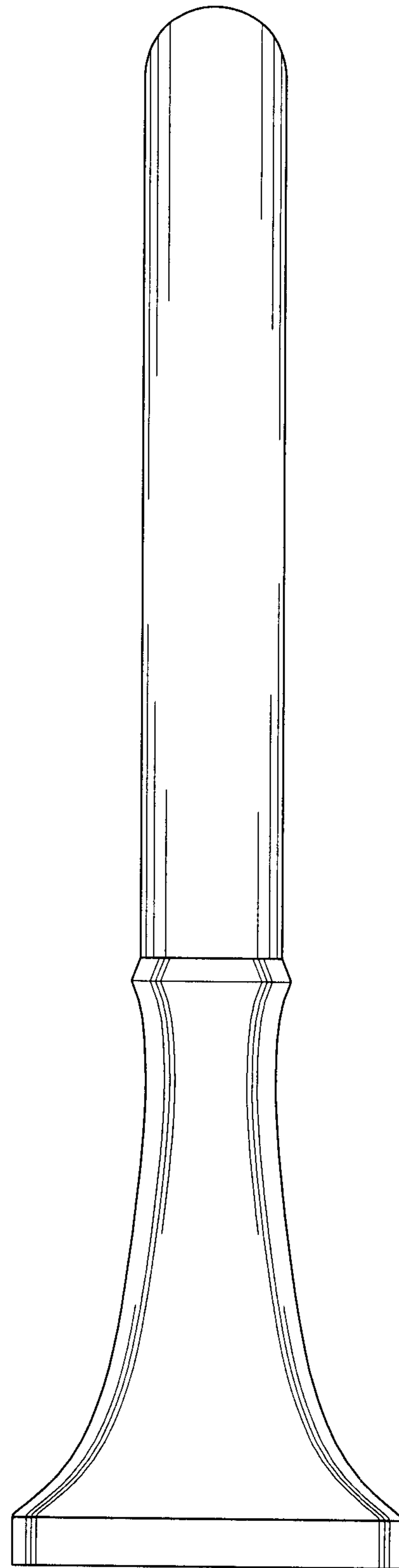


FIG. 3

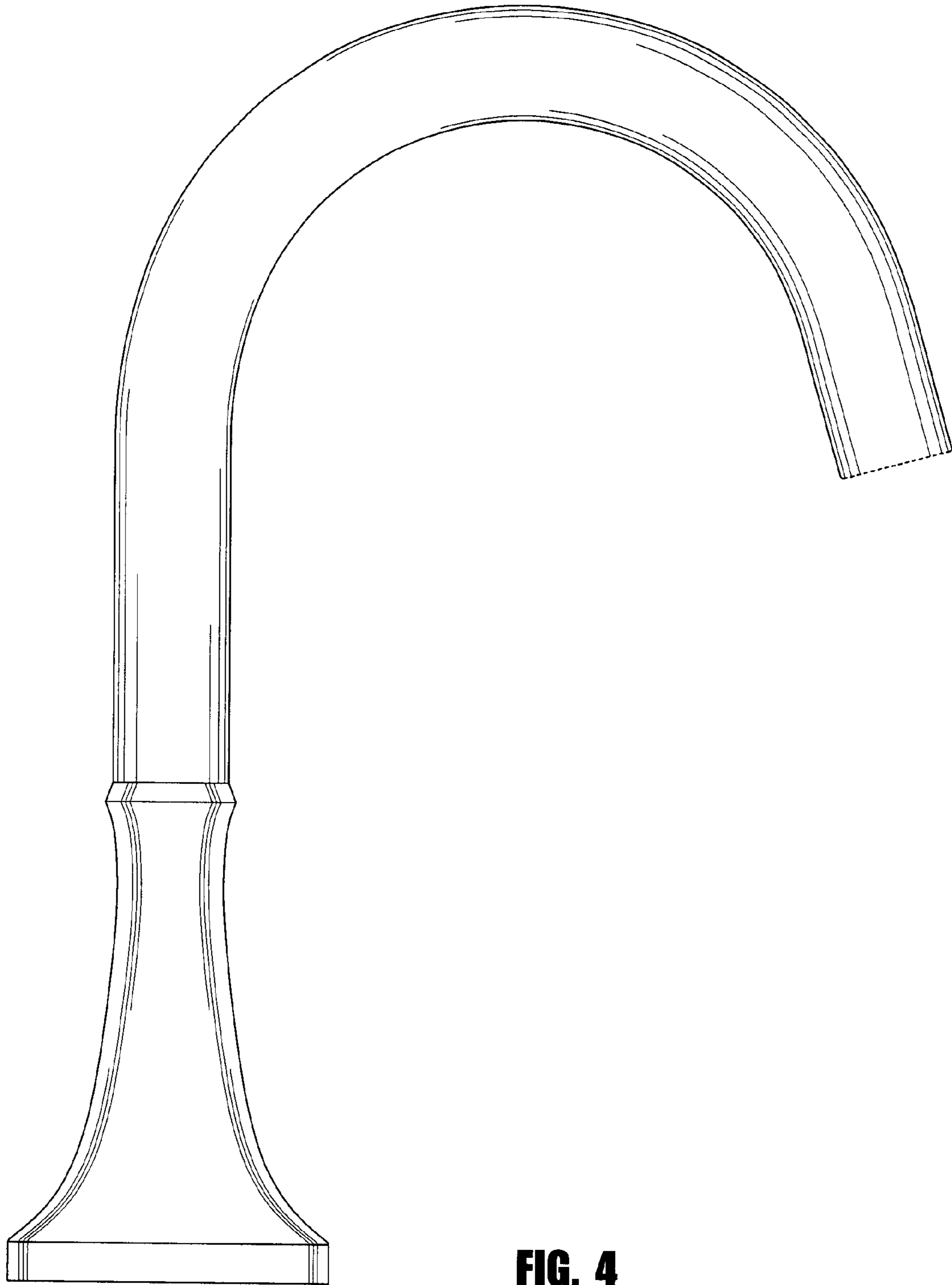


FIG. 4

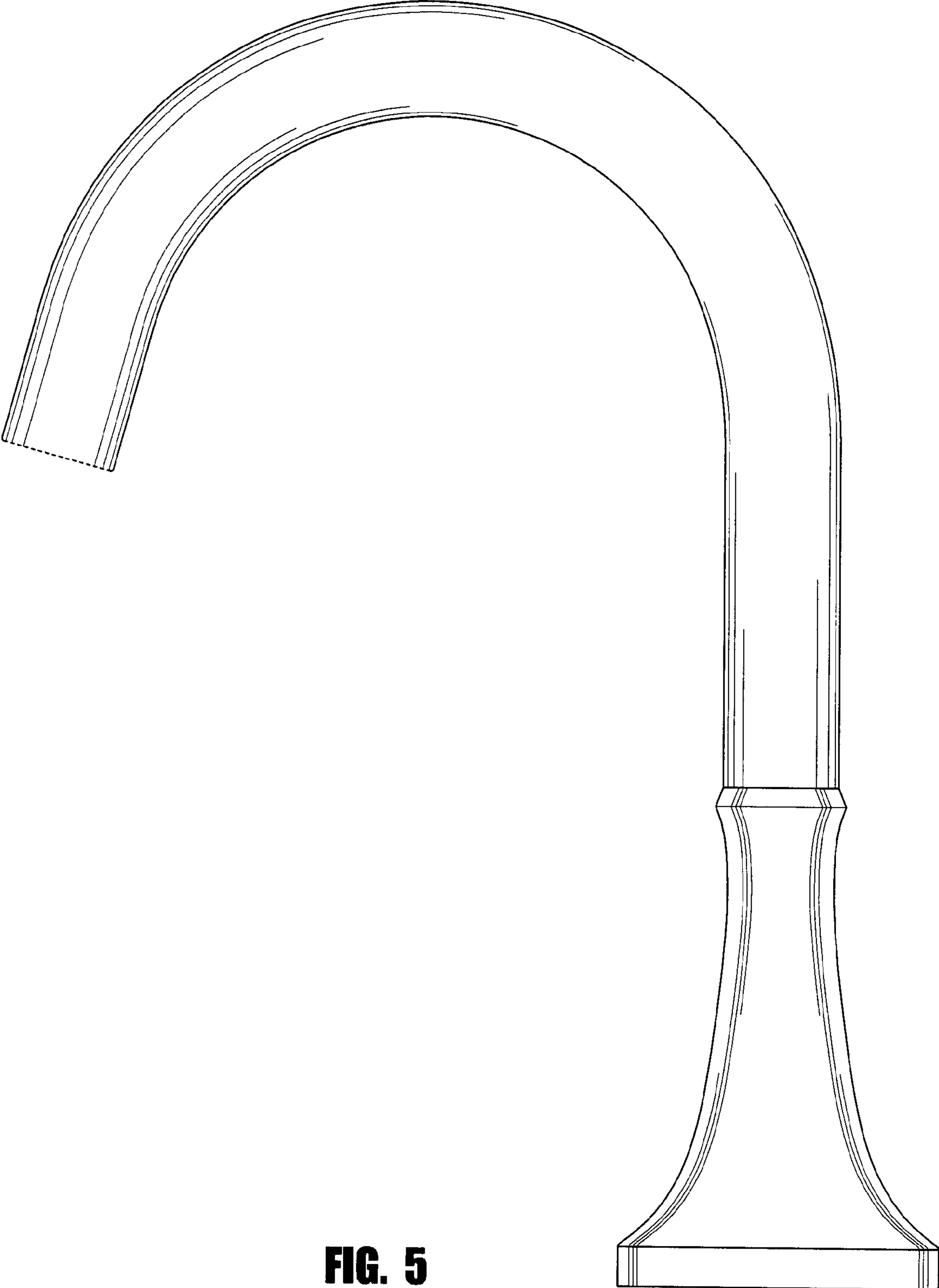


FIG. 5

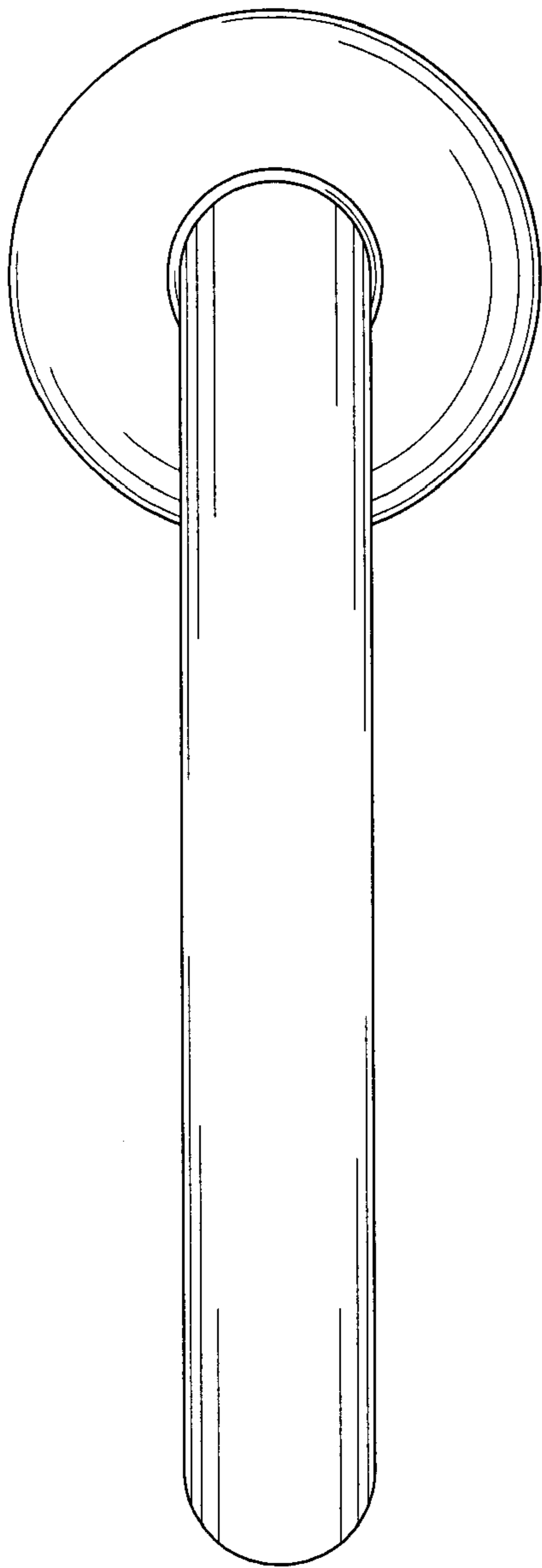


FIG. 6

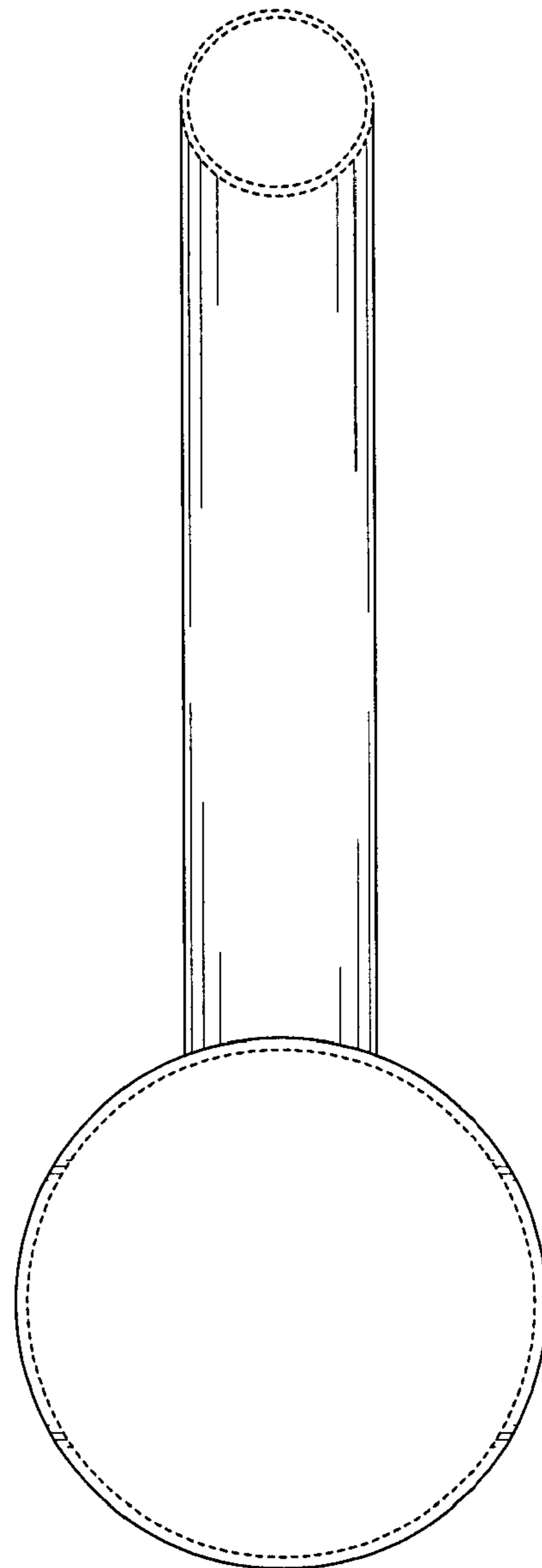


FIG. 7