

US00D535365S

(12) **United States Design Patent**
Müllenmeister

(10) **Patent No.:** **US D535,365 S**

(45) **Date of Patent:** **** Jan. 16, 2007**

(54) **VALVE-ACTUATING HANDLE ASSEMBLY**

(75) Inventor: **Daniel Müllenmeister**, Havixbeck (DE)

(73) Assignee: **Grohe AG**, Hemer (DE)

(**) Term: **14 Years**

(21) Appl. No.: **29/258,606**

(22) Filed: **Apr. 24, 2006**

(51) **LOC (8) Cl.** **23-01**

(52) **U.S. Cl.** **D23/252**

(58) **Field of Classification Search** D23/238–257;
D8/250–257, 300–322, DIG. 3; 16/110.1;
4/675–678; 137/801

See application file for complete search history.

(56) **References Cited**

U.S. PATENT DOCUMENTS

D285,106 S * 8/1986 Yost D23/252
D334,230 S * 3/1993 Bonnell D23/252

D428,118 S * 7/2000 McKeone D23/252
D474,671 S * 5/2003 Singtoroj et al. D8/301
D508,110 S * 8/2005 Spangler D23/252

* cited by examiner

Primary Examiner—Louis S. Zarfes

Assistant Examiner—Gregory Andoll

(74) *Attorney, Agent, or Firm*—Andrew Wilford

(57) **CLAIM**

The ornamental design for a valve-actuating handle assembly, as shown.

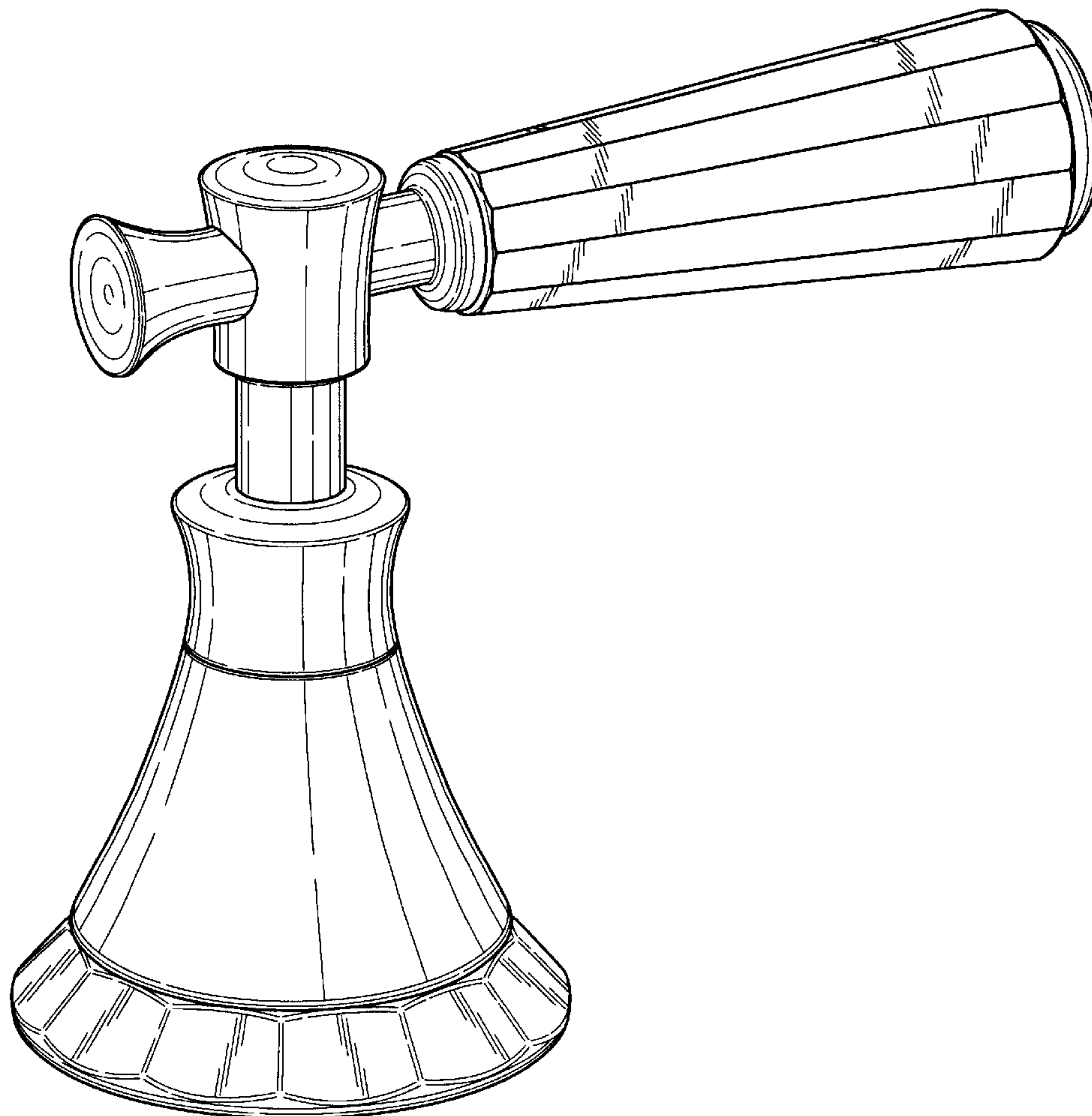
DESCRIPTION

FIG. 1 is a perspective view of the valve-actuating handle assembly according to the invention;

FIG. 2 is an elevational side view of the handle assembly, both sides being identical;

FIGS. 3 and 4 are end views taken from the left and right sides, respectively, of the handle assembly of FIG. 2; and, FIG. 5 is a top view of the handle assembly.

1 Claim, 4 Drawing Sheets



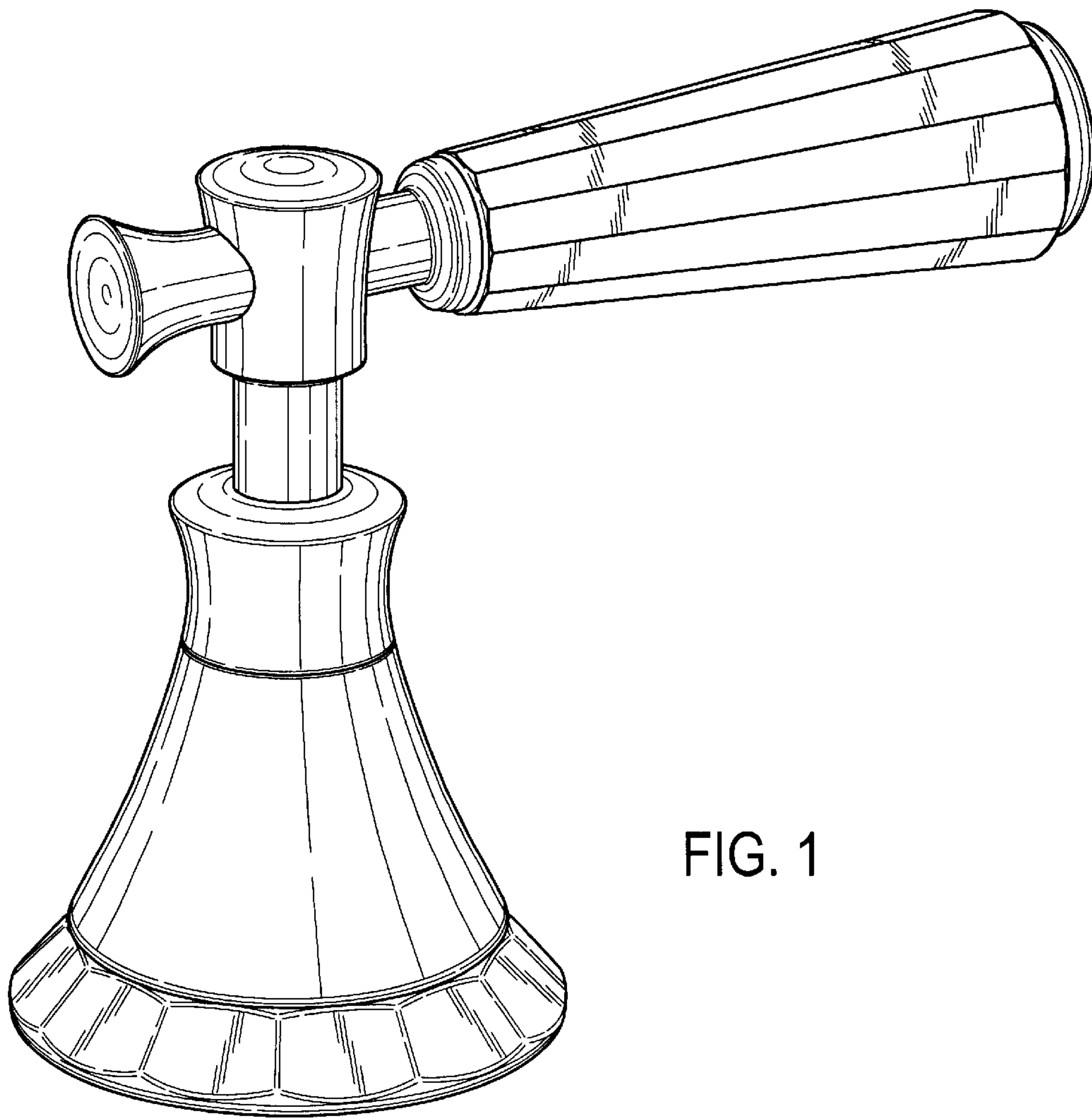


FIG. 1

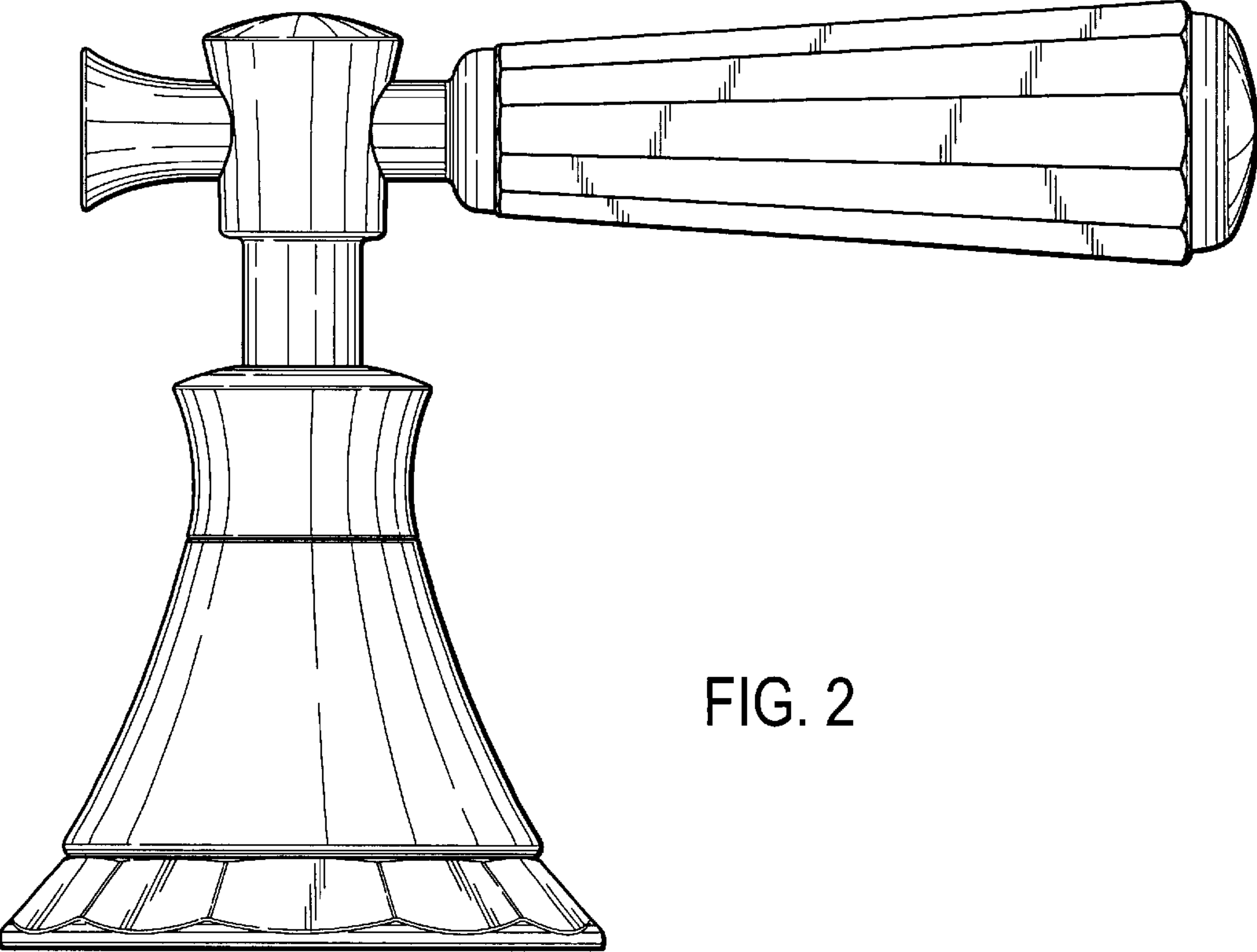


FIG. 2

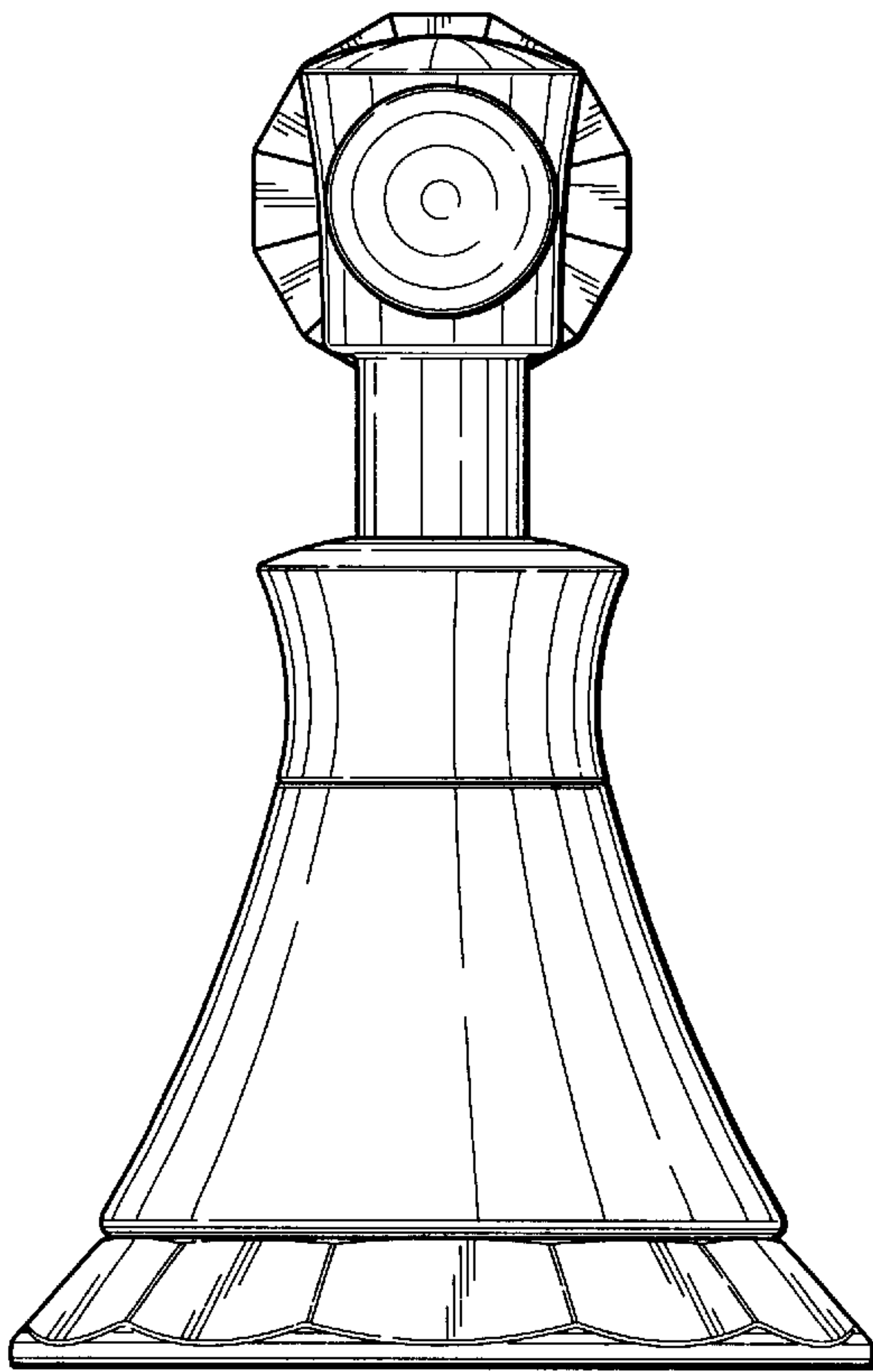


FIG. 3

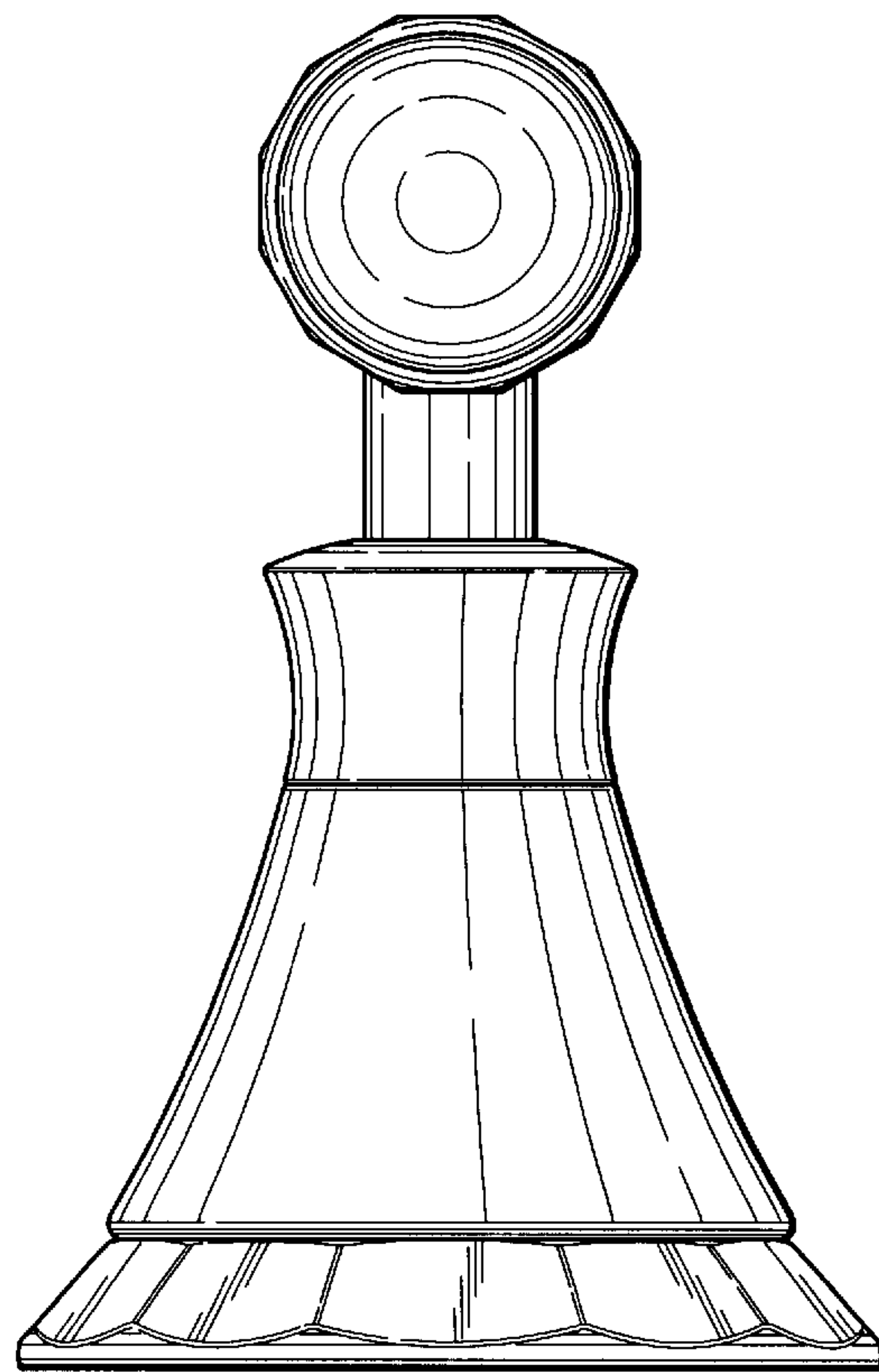


FIG. 4

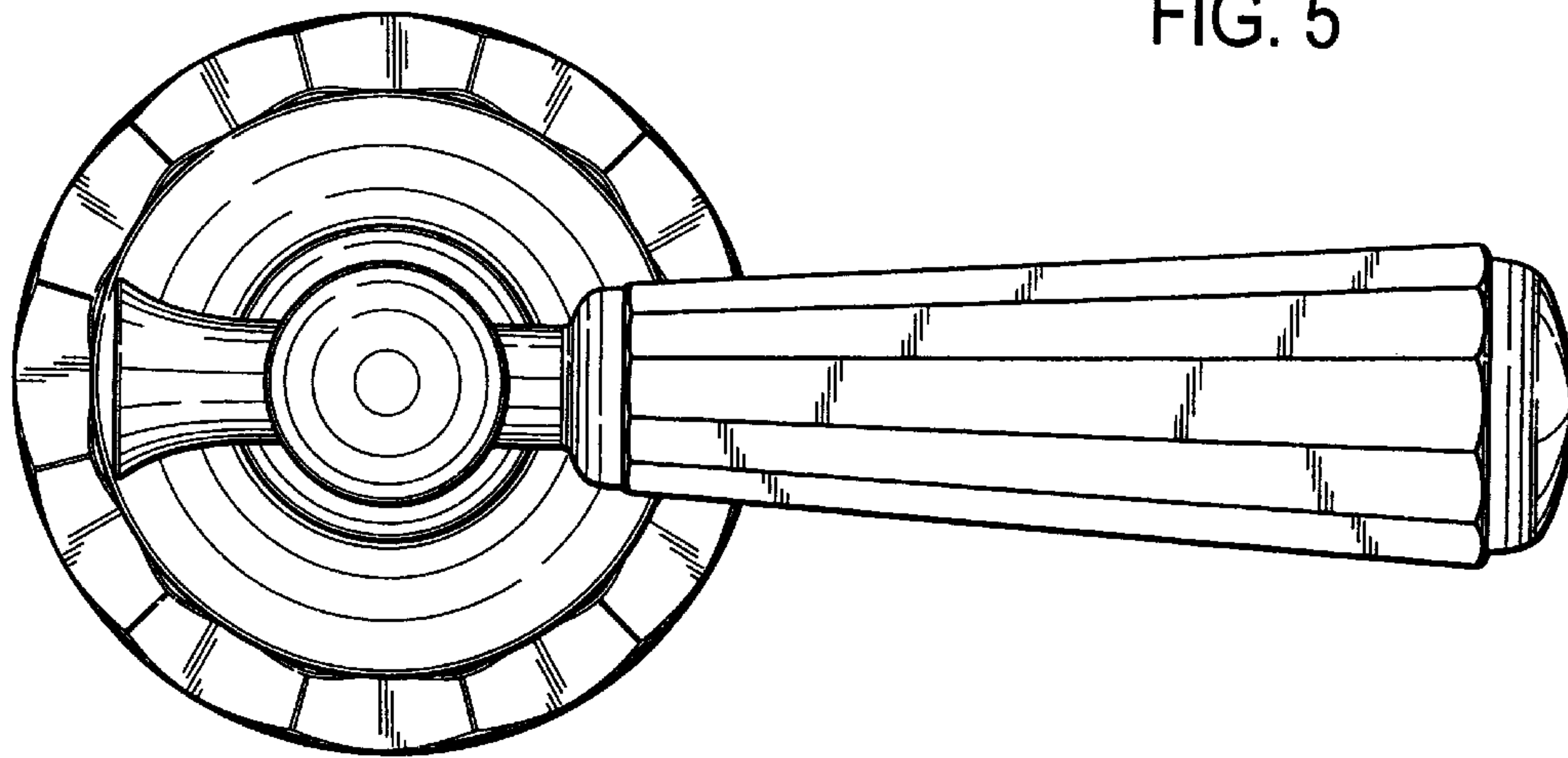


FIG. 5