

US00D535362S

(12) **United States Design Patent**
Chu et al.

(10) **Patent No.:** **US D535,362 S**

(45) **Date of Patent:** **** Jan. 16, 2007**

(54) **FAUCET**

(75) Inventors: **Aaron Chu**, Taichung (TW); **Ken Hsui**,
Taichung (TW); **Jau-Chi Lai**, Taichung
(TW)

(73) Assignee: **Globe Union Industrial Corp.**,
Taichung (TW)

(**) Term: **14 Years**

(21) Appl. No.: **29/253,634**

(22) Filed: **Feb. 10, 2006**

(51) **LOC (8) Cl.** **23-01**

(52) **U.S. Cl.** **D23/239; D23/238**

(58) **Field of Classification Search** D23/238-257;
4/675-678; 137/801
See application file for complete search history.

(56) **References Cited**

U.S. PATENT DOCUMENTS

D368,764 S	*	4/1996	Hill et al.	D23/238
D380,809 S	*	7/1997	Warshawsky	D23/238
D414,546 S	*	9/1999	Cosolito et al.	D23/238
D420,434 S	*	2/2000	Lord	D23/238

D464,714 S	*	10/2002	Lord	D23/255
D467,995 S	*	12/2002	Lord	D23/238
D513,309 S	*	12/2005	Kulig	D23/238
D519,607 S	*	4/2006	Spangler	D23/238
D520,113 S	*	5/2006	Chu	D23/238
D520,599 S	*	5/2006	Spangler	D23/238
D526,053 S	*	8/2006	Schaffeld et al.	D23/257

* cited by examiner

Primary Examiner—Louis S. Zarfes

Assistant Examiner—Gregory Andoll

(74) *Attorney, Agent, or Firm*—Leong C. Lei

(57) **CLAIM**

The ornamental design for a faucet, as shown and described.

DESCRIPTION

FIG. 1 is a front perspective view of a faucet showing our new design;

FIG. 2 is a front elevational view thereof;

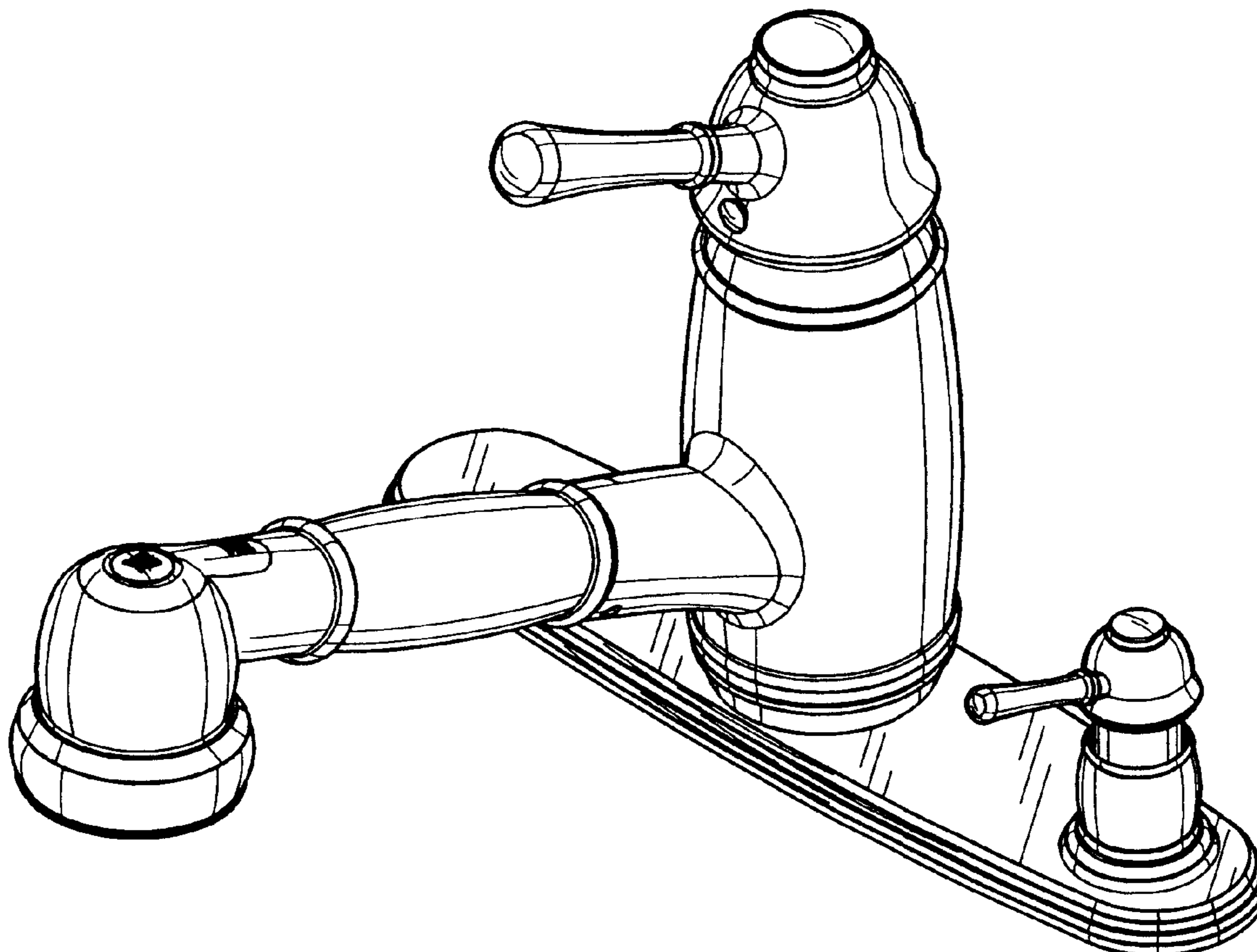
FIG. 3 is a rear elevational view thereof;

FIG. 4 is a left side elevational view thereof;

FIG. 5 is a right side elevational view thereof; and,

FIG. 6 is a top plan view thereof.

1 Claim, 6 Drawing Sheets



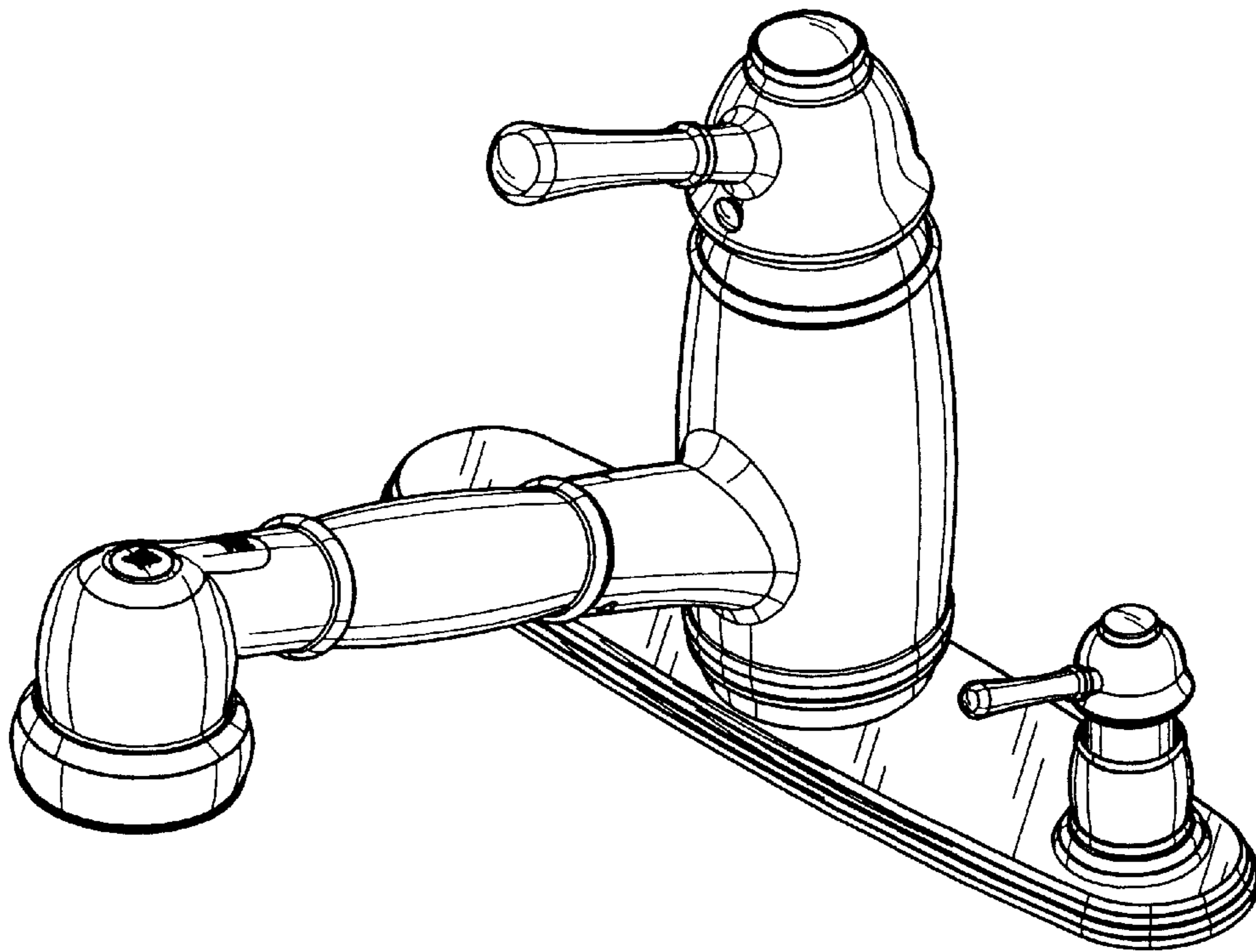


FIG. 1

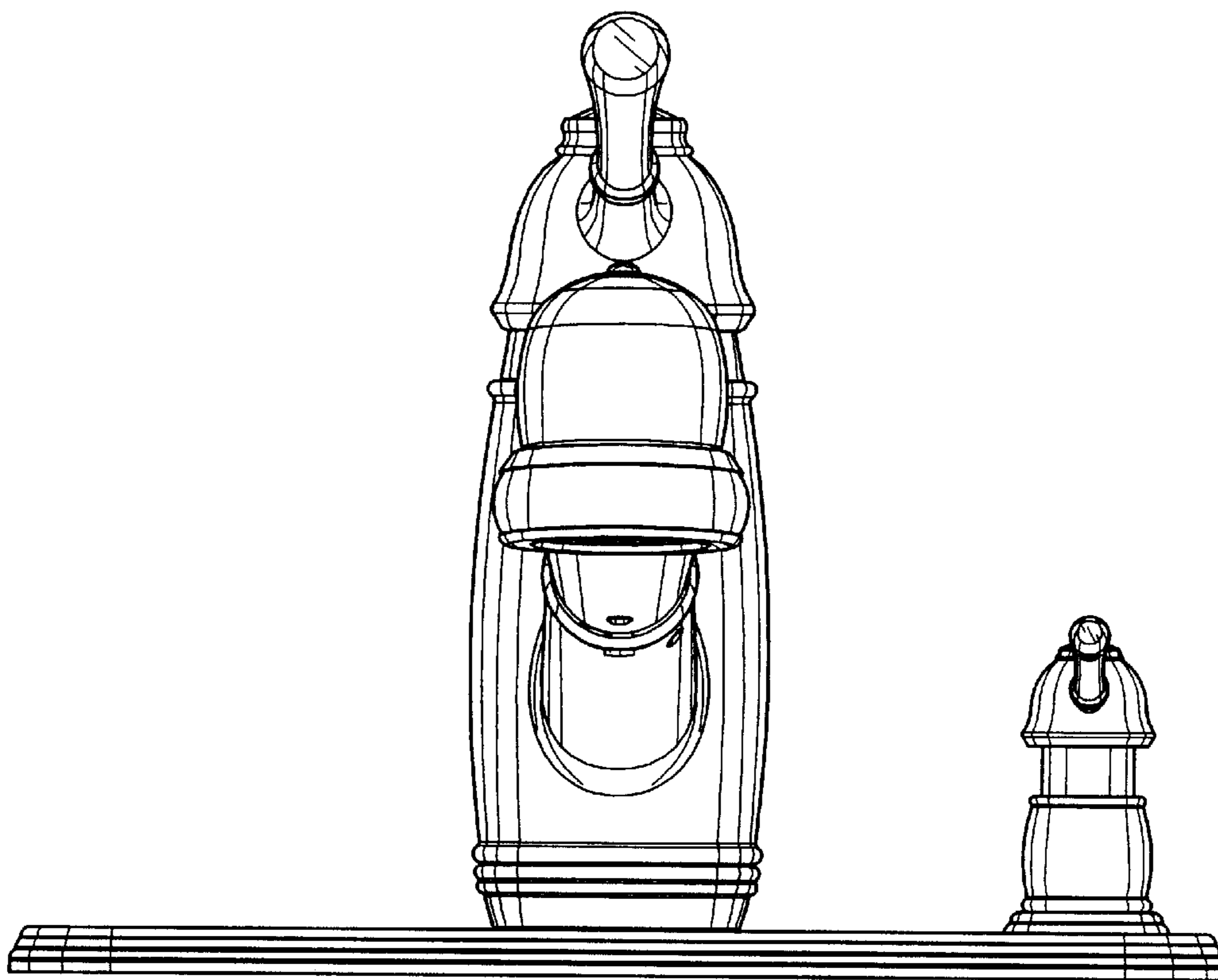


FIG. 2

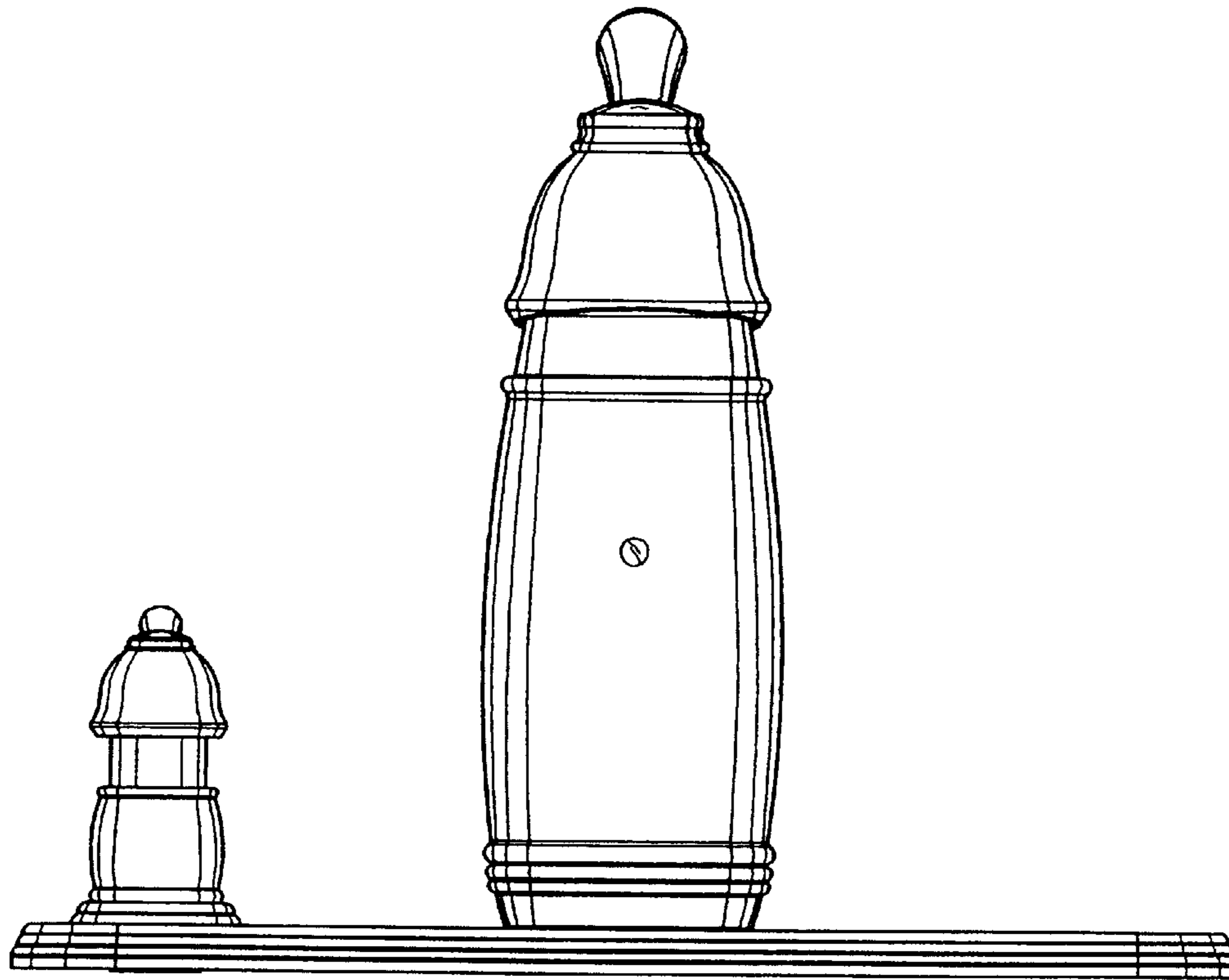


FIG. 3

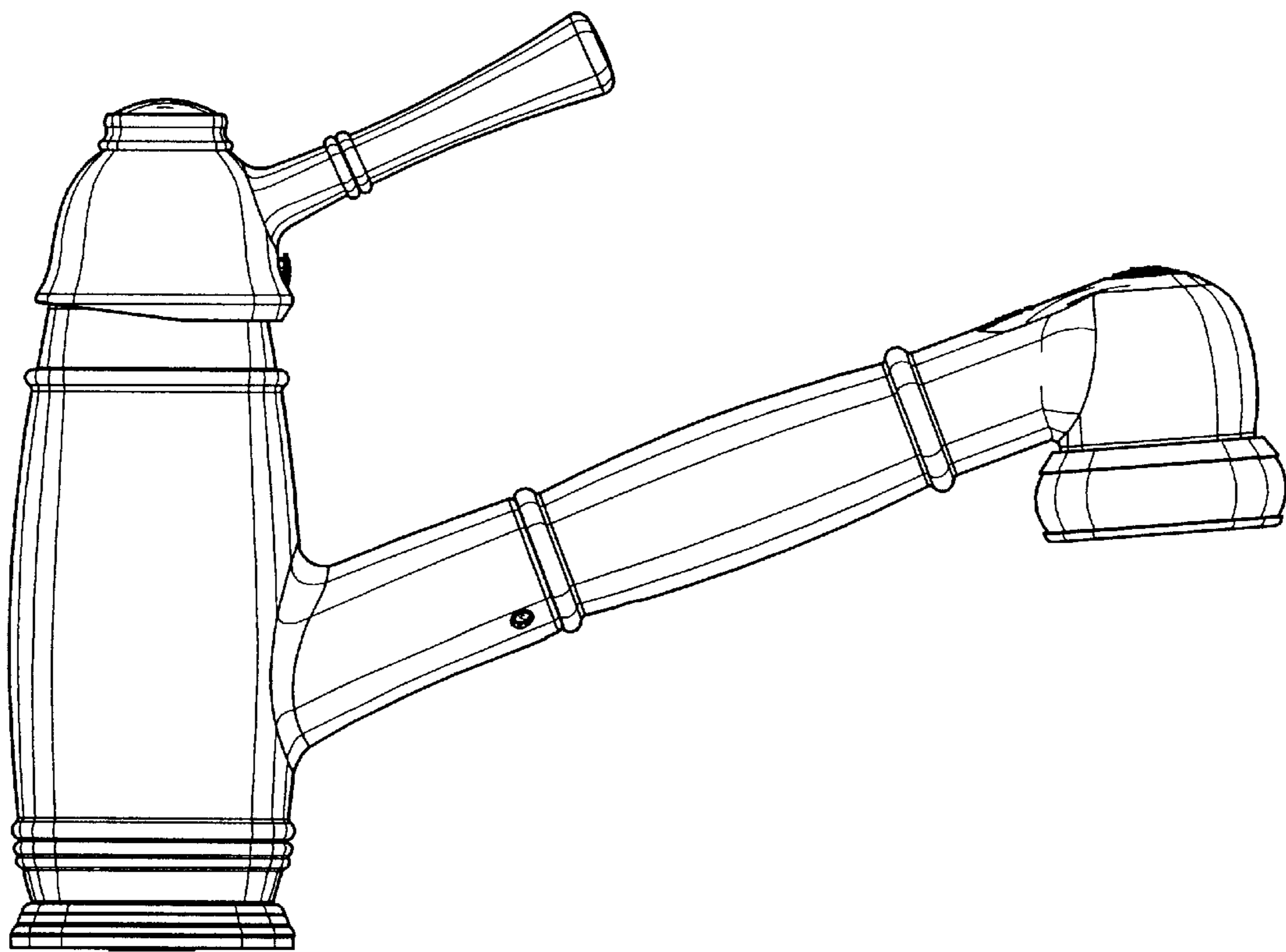


FIG. 4

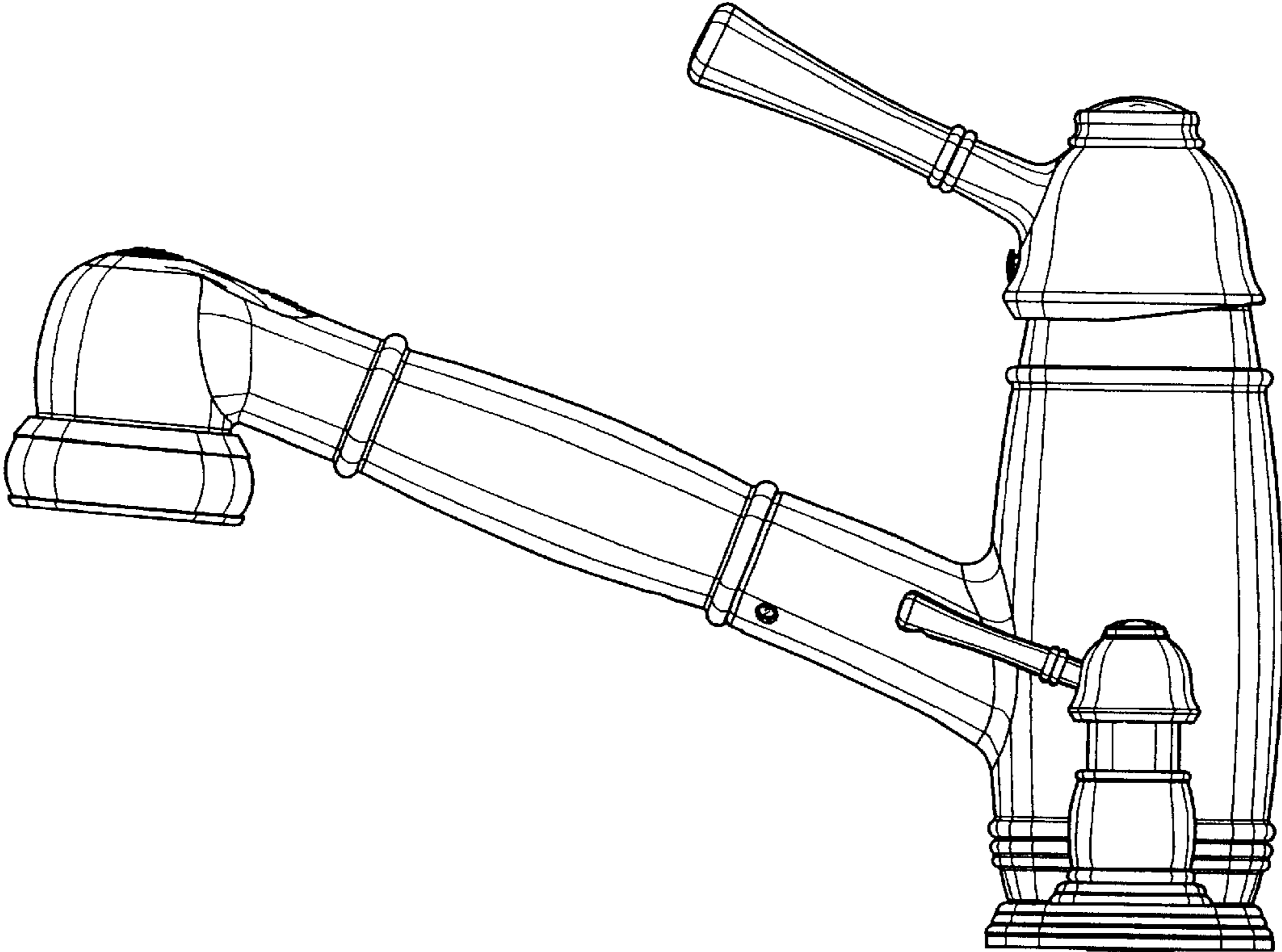


FIG. 5

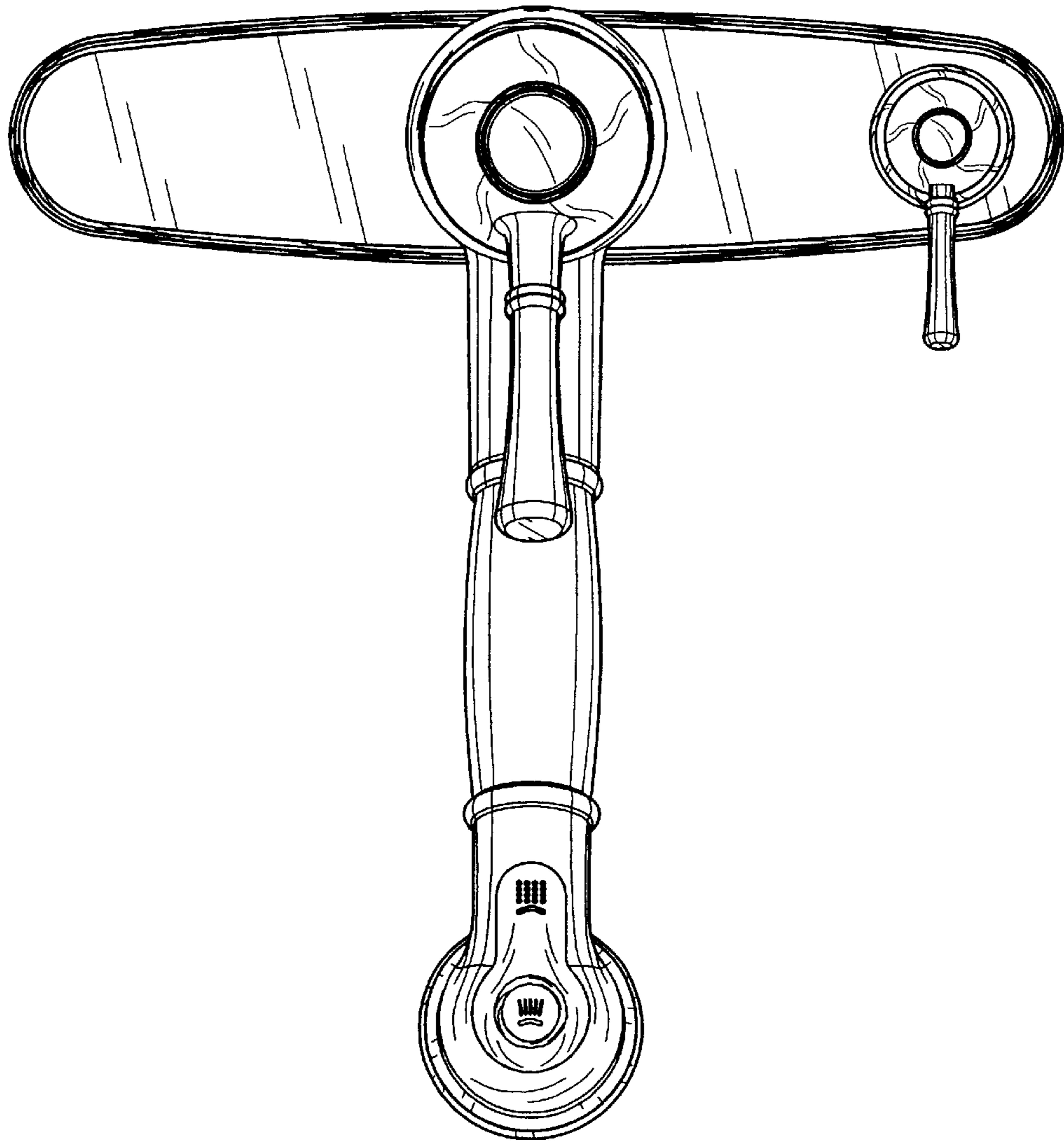


FIG. 6