



US00D535358S

(12) **United States Design Patent**  
**Demmer et al.**

(10) **Patent No.:** **US D535,358 S**

(45) **Date of Patent:** **\*\* Jan. 16, 2007**

(54) **MIXER TAP FOR A KITCHEN SINK**

D466,979 S \* 12/2002 Shulz ..... D23/238

D481,445 S \* 10/2003 Haug et al. .... D23/238

D482,102 S \* 11/2003 Wettstein et al. .... D23/238

(75) Inventors: **Erik Demmer**, Munich (DE);  
**Christian Schäffler**, Munich (DE)

\* cited by examiner

(73) Assignee: **Arwa, AG**, Wallisellen (CH)

*Primary Examiner*—Louis S. Zarfaz

*Assistant Examiner*—Gregory Andoll

(\*\*) Term: **14 Years**

(74) *Attorney, Agent, or Firm*—Sughrue Mion, PLLC

(21) Appl. No.: **29/257,568**

(57) **CLAIM**

(22) Filed: **Apr. 7, 2006**

The ornamental design for a mixer tap for a kitchen sink, as shown and described.

(30) **Foreign Application Priority Data**

**DESCRIPTION**

Oct. 7, 2005 (WO) ..... DM/067 212

(51) **LOC (8) Cl.** ..... **23-01**

(52) **U.S. Cl.** ..... **D23/238**

(58) **Field of Classification Search** ..... D23/238–257;  
4/675–678; 137/801

See application file for complete search history.

FIG. 1 is a perspective view of the top front and right side of a mixer tap for a kitchen sink according to a first embodiment showing our new design;

FIG. 2 is a front elevational view thereof;

FIG. 3 is a rear elevational view thereof;

FIG. 4 is a right side elevational view thereof;

FIG. 5 is a left side elevational view thereof;

FIG. 6 is a top plan view thereof; and,

FIG. 7 is a bottom plan view thereof.

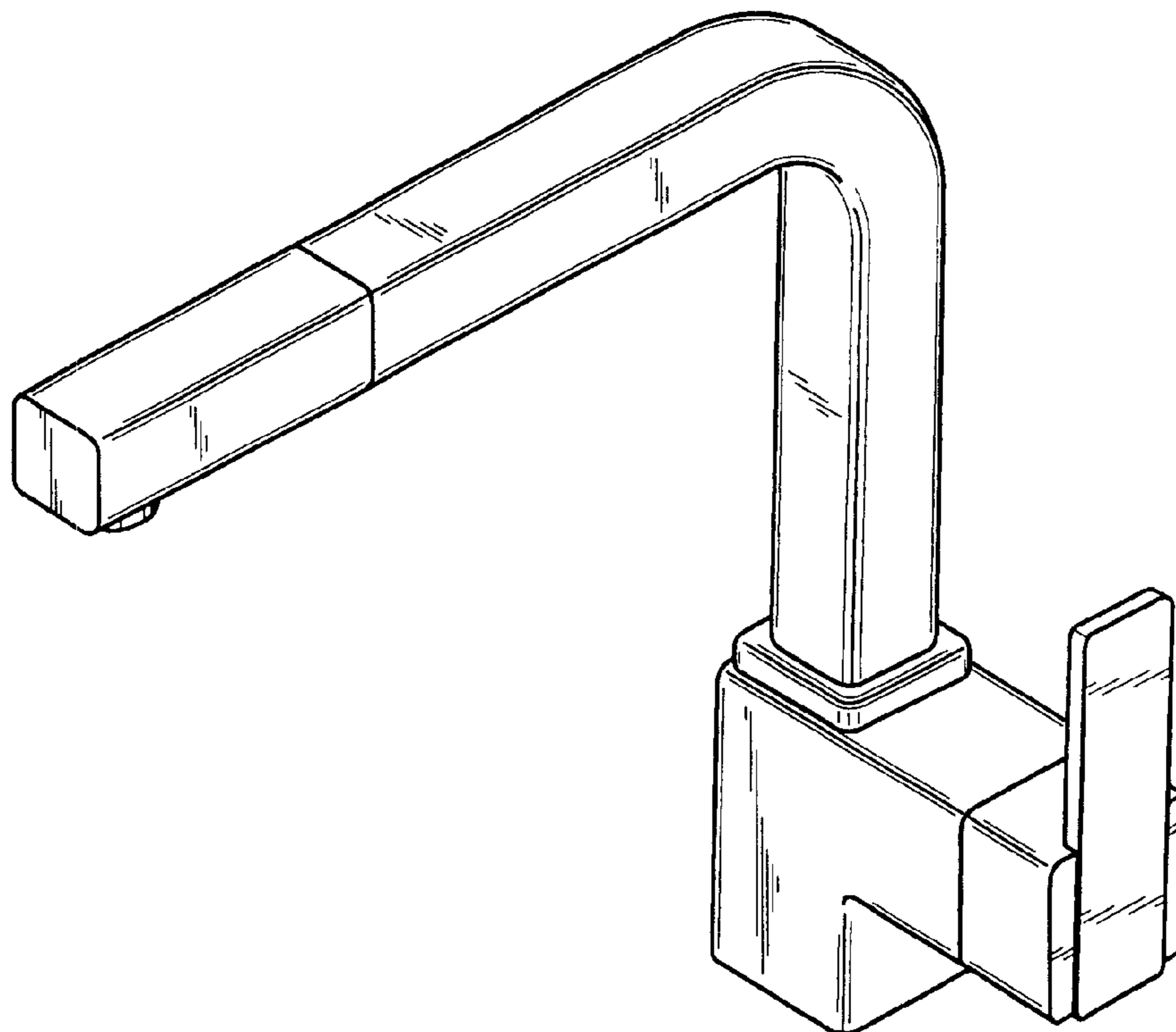
(56) **References Cited**

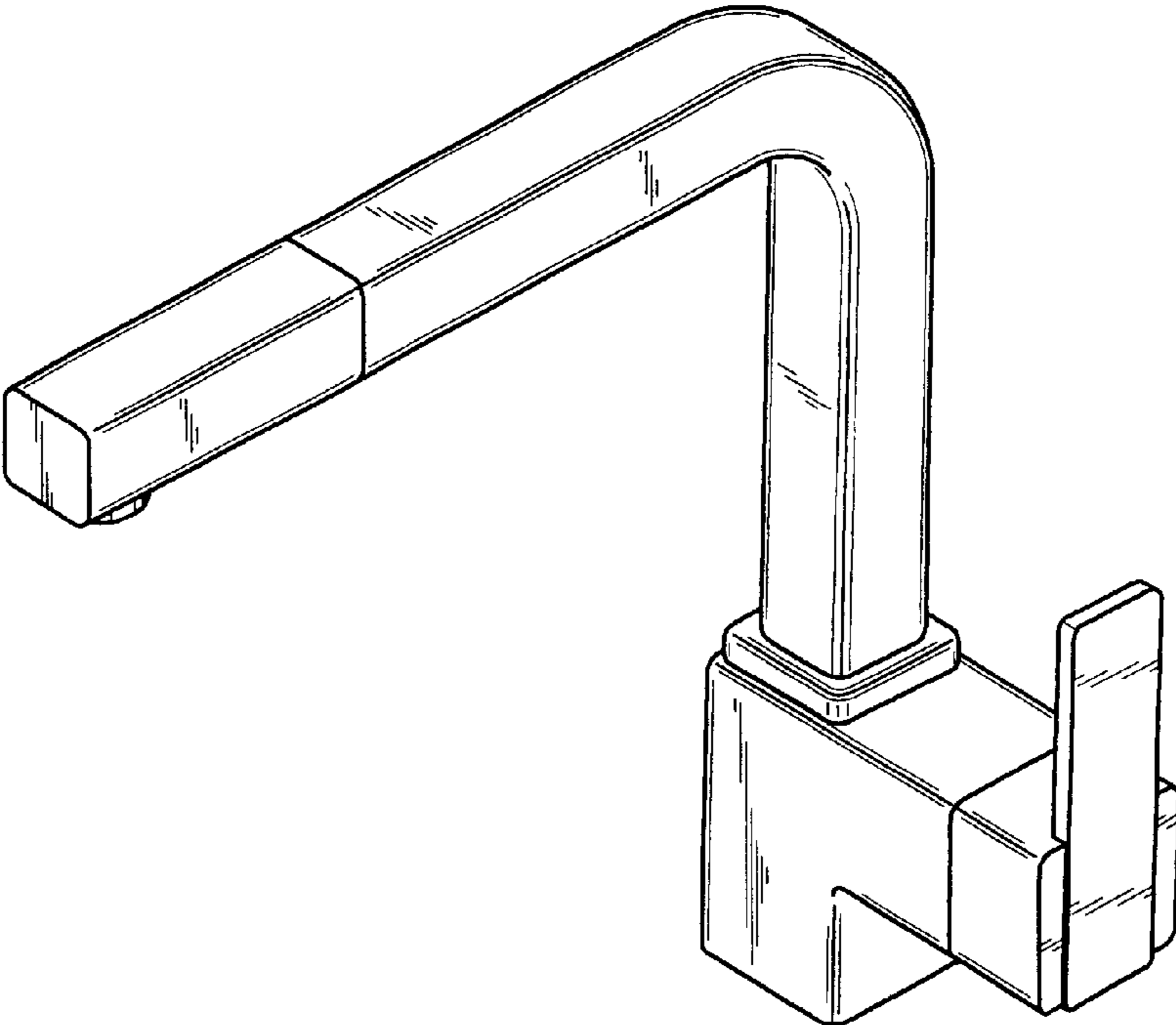
**U.S. PATENT DOCUMENTS**

D281,095 S \* 10/1985 Arnold et al. .... D23/238

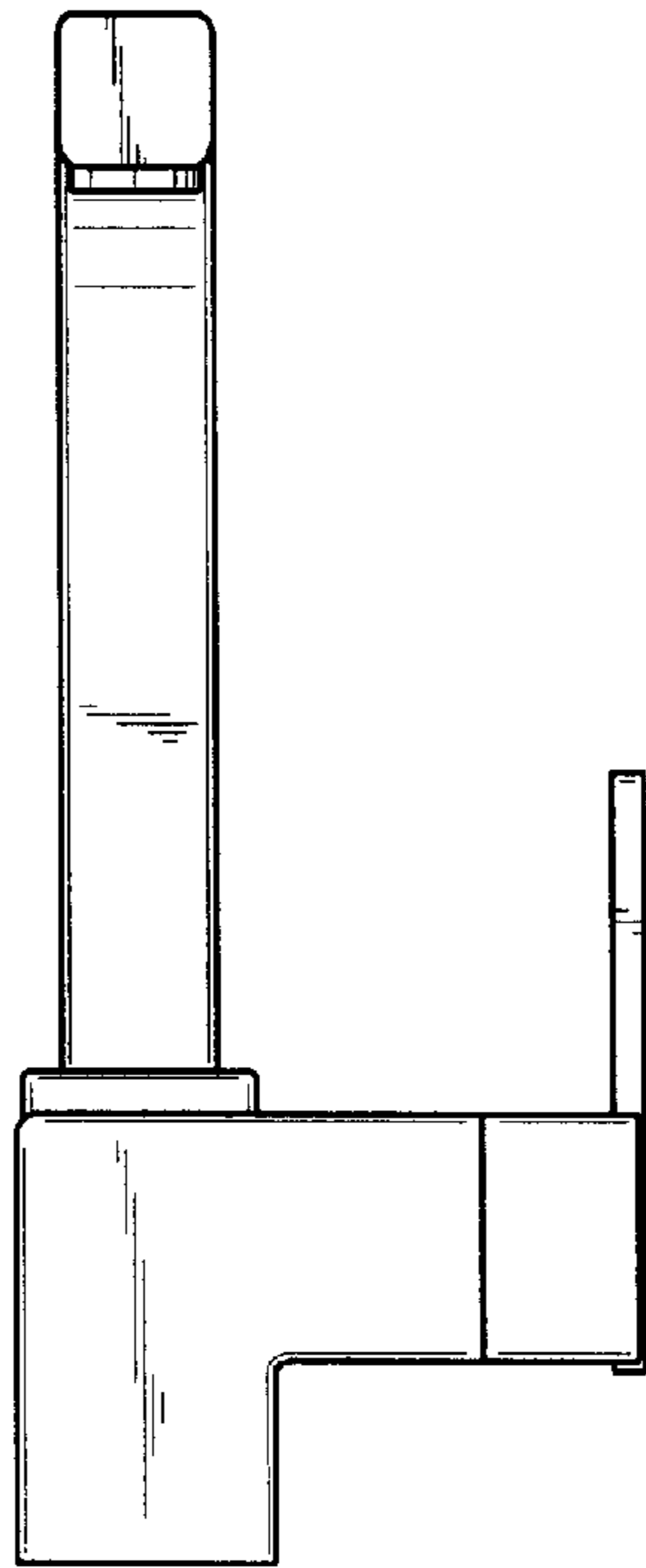
D314,040 S \* 1/1991 Heieck ..... D23/238

**1 Claim, 4 Drawing Sheets**

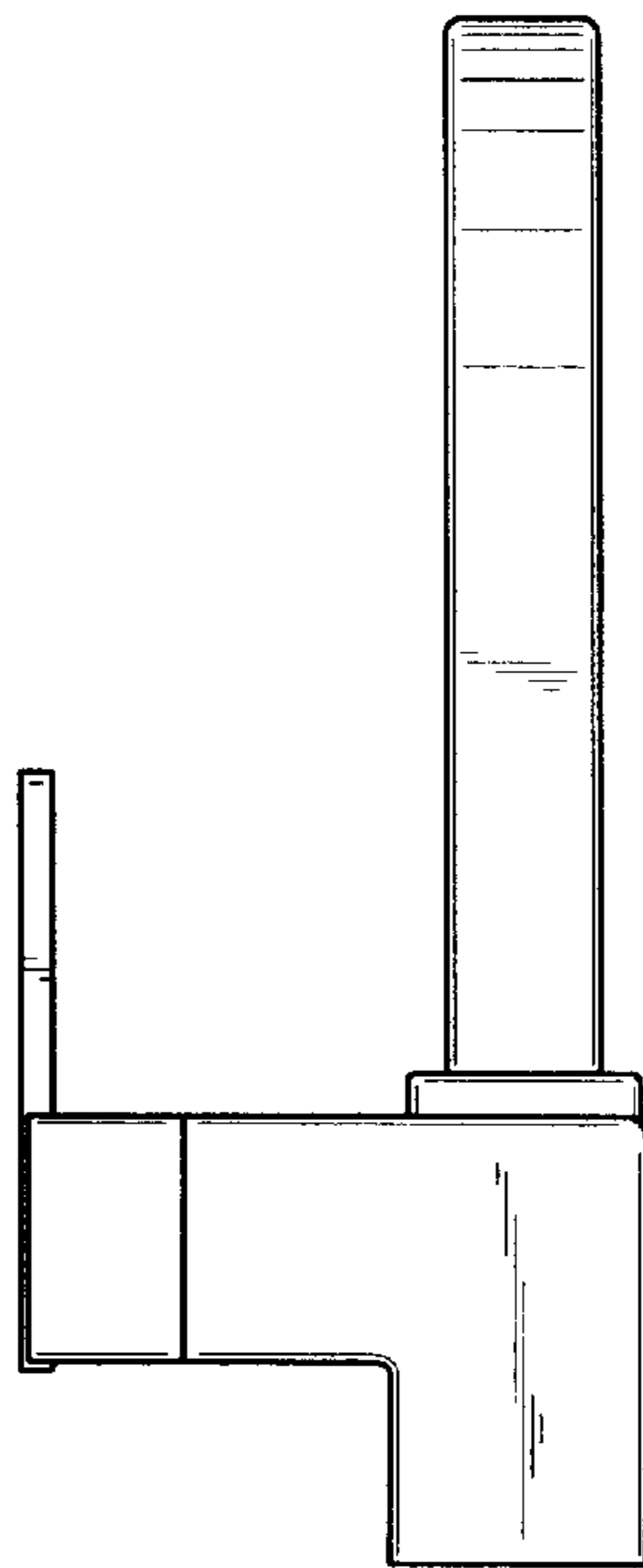




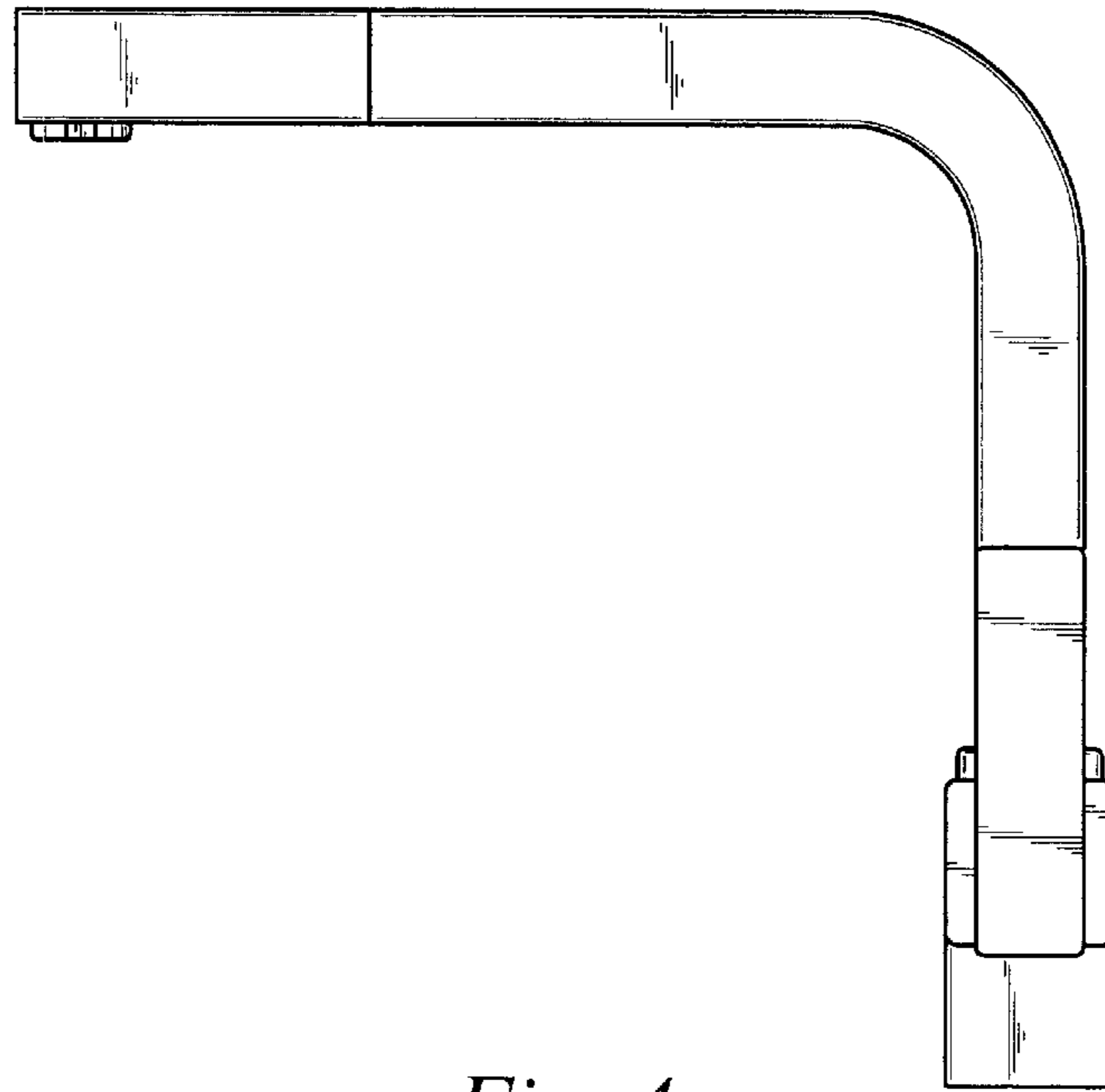
*Fig. 1*



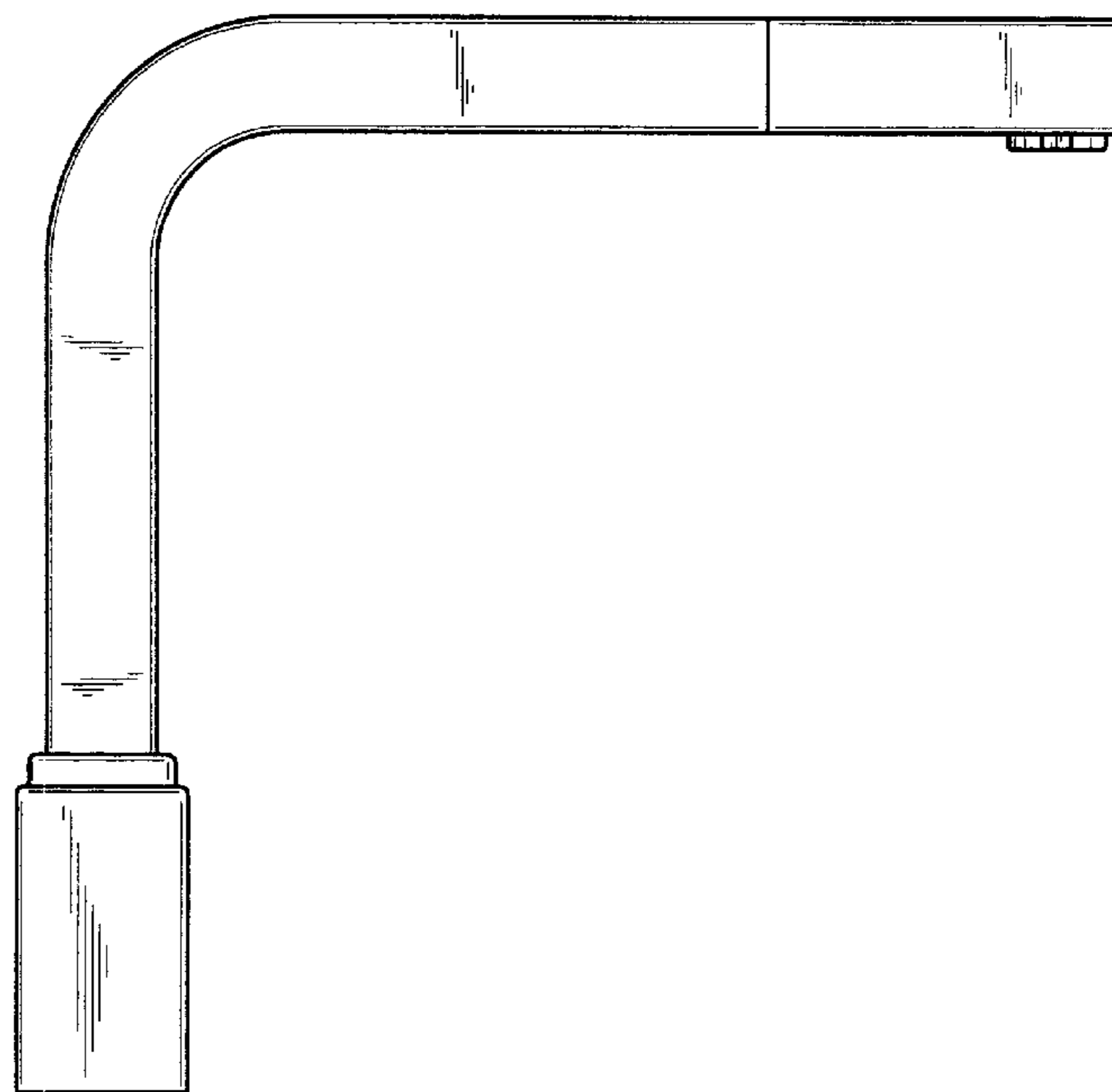
*Fig. 2*



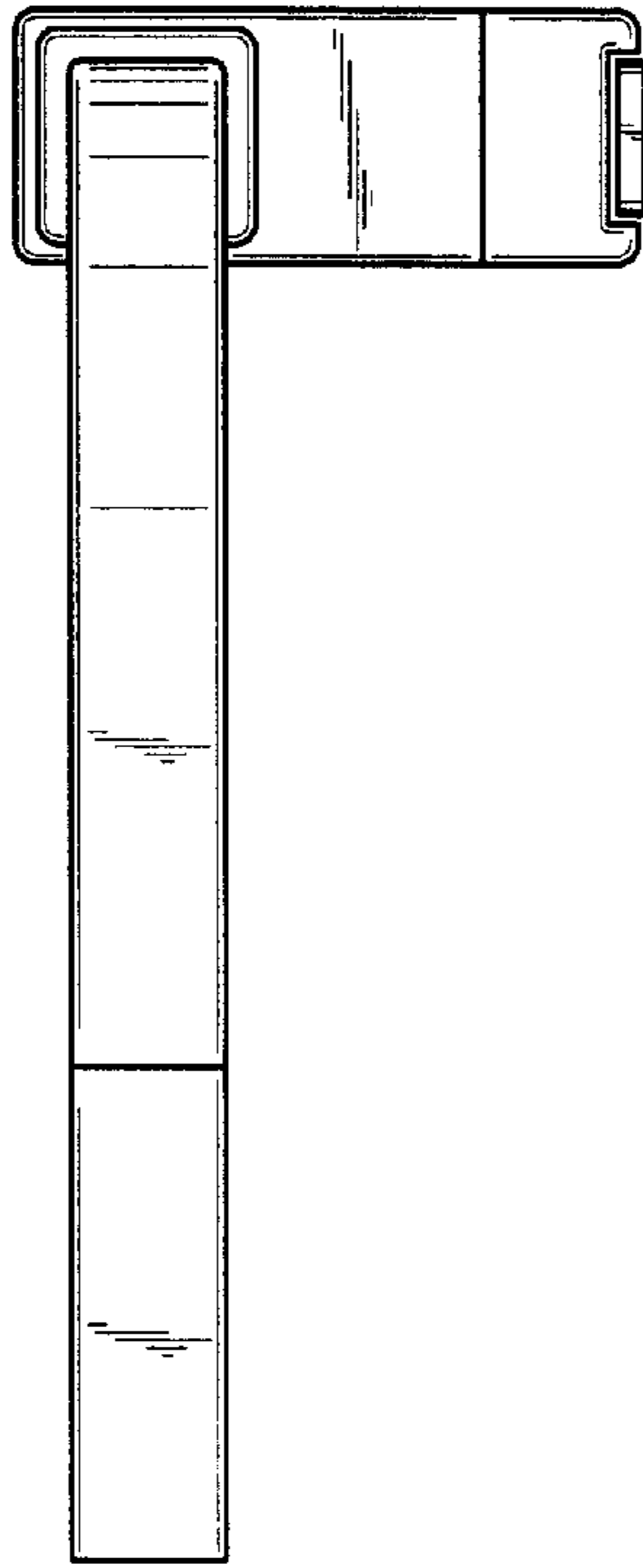
*Fig. 3*



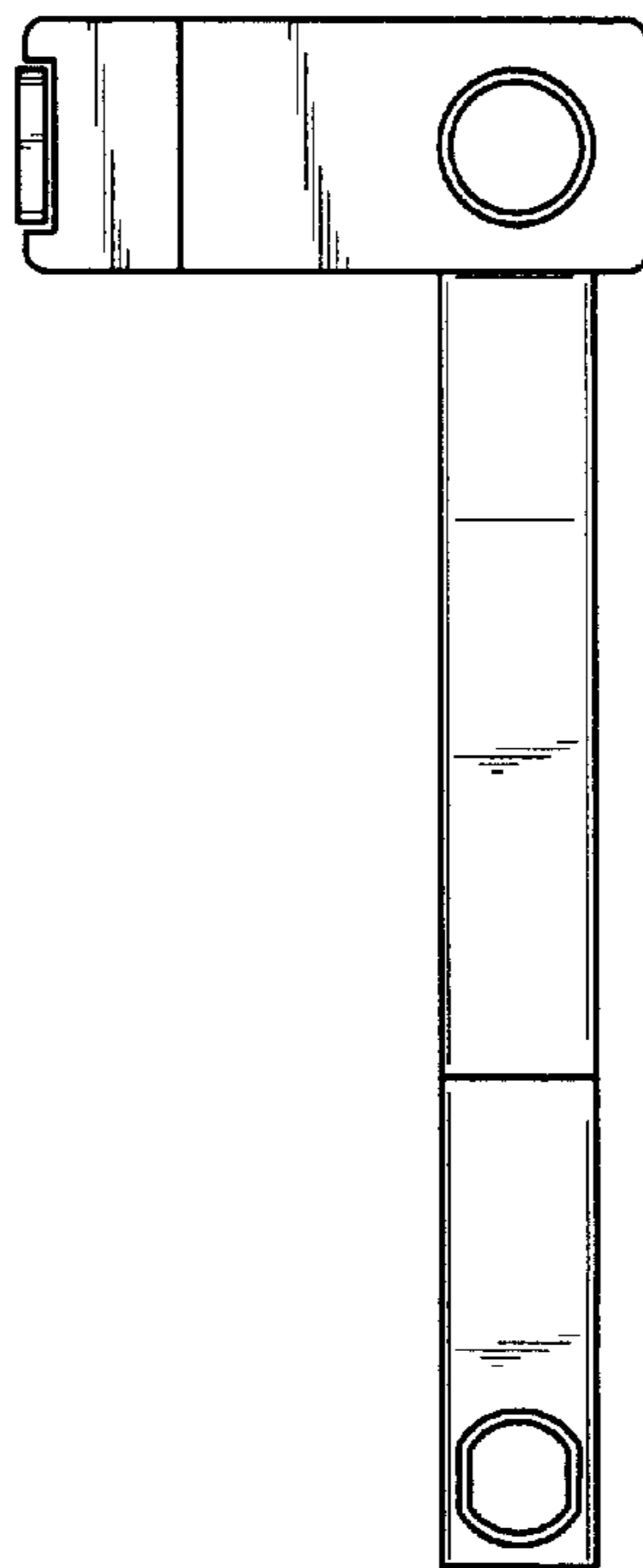
*Fig. 4*



*Fig. 5*



*Fig. 6*



*Fig. 7*