



US00D535355S

(12) **United States Design Patent**
Nord et al.

(10) **Patent No.:** **US D535,355 S**

(45) **Date of Patent:** **** Jan. 16, 2007**

(54) **WATER TAP**

(75) Inventors: **Gustav Nord**, Stockholm (SE); **Filip Sauer**, Stockholm (SE); **Fredrik Magnusson**, Stockholm (SE)

(73) Assignee: **Kuna Group AB**, Järfälla (SE)

(**) Term: **14 Years**

(21) Appl. No.: **29/238,416**

(22) Filed: **Sep. 16, 2005**

(30) **Foreign Application Priority Data**

Mar. 16, 2005 (EM) 000310404-0001

(51) **LOC (8) Cl.** **23-01**

(52) **U.S. Cl.** **D23/238**

(58) **Field of Classification Search** D23/238-257;
4/675-678; 137/801

See application file for complete search history.

(56) **References Cited**

U.S. PATENT DOCUMENTS

D318,518 S * 7/1991 Schmidt et al. D23/238

D406,323 S * 3/1999 Snyder D23/255
D445,875 S * 7/2001 Fleischmann D23/238
D468,410 S * 1/2003 Hundley D23/255
D510,125 S * 9/2005 Messier et al. D23/238

* cited by examiner

Primary Examiner—Louis S. Zarfes

(74) *Attorney, Agent, or Firm*—Sughrue Mion, PLLC

(57) **CLAIM**

The ornamental design for a water tap, as shown.

DESCRIPTION

FIG. 1 is a perspective view of the front and right side of a water tap showing my new design;

FIG. 2 is a front elevational view thereof;

FIG. 3 is a rear elevational view thereof;

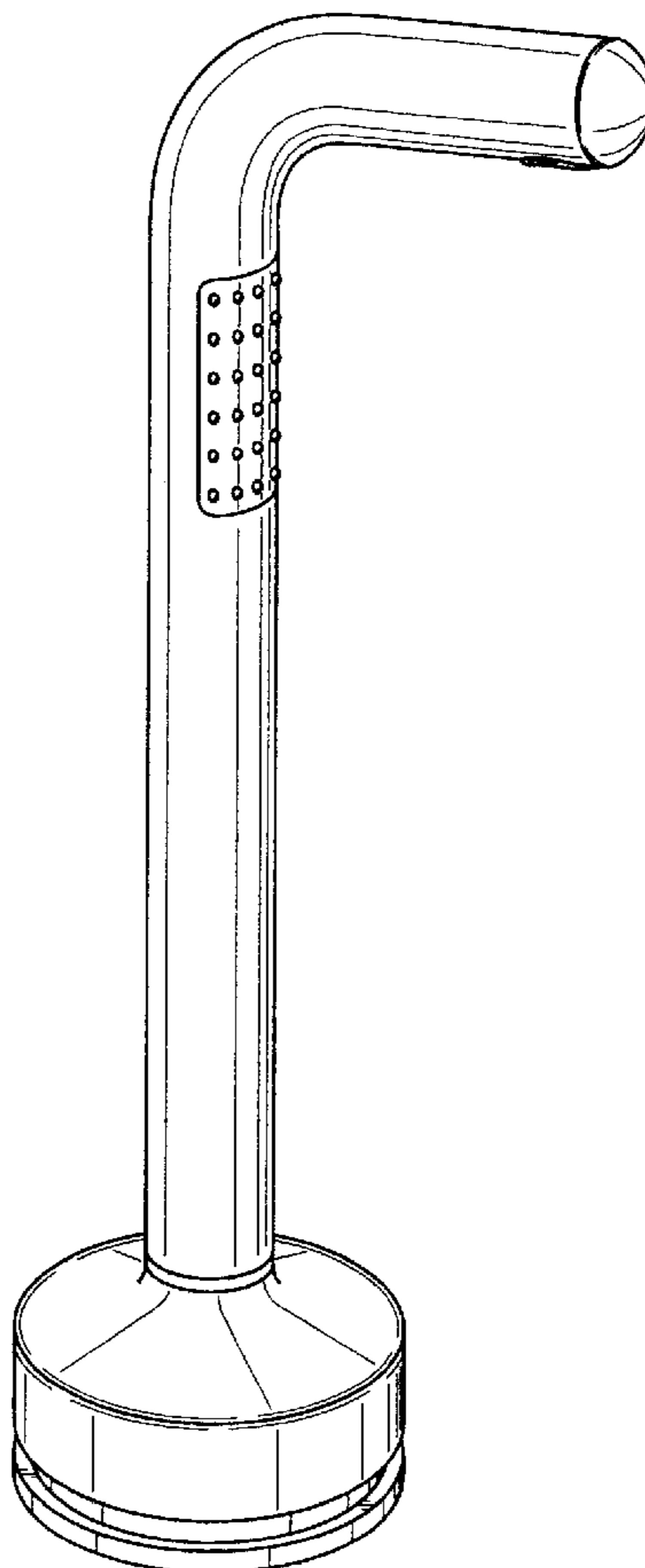
FIG. 4 is a left side elevational view thereof;

FIG. 5 is a right side elevational view thereof;

FIG. 6 is a top plan view thereof; and,

FIG. 7 is a bottom plan view thereof.

1 Claim, 4 Drawing Sheets



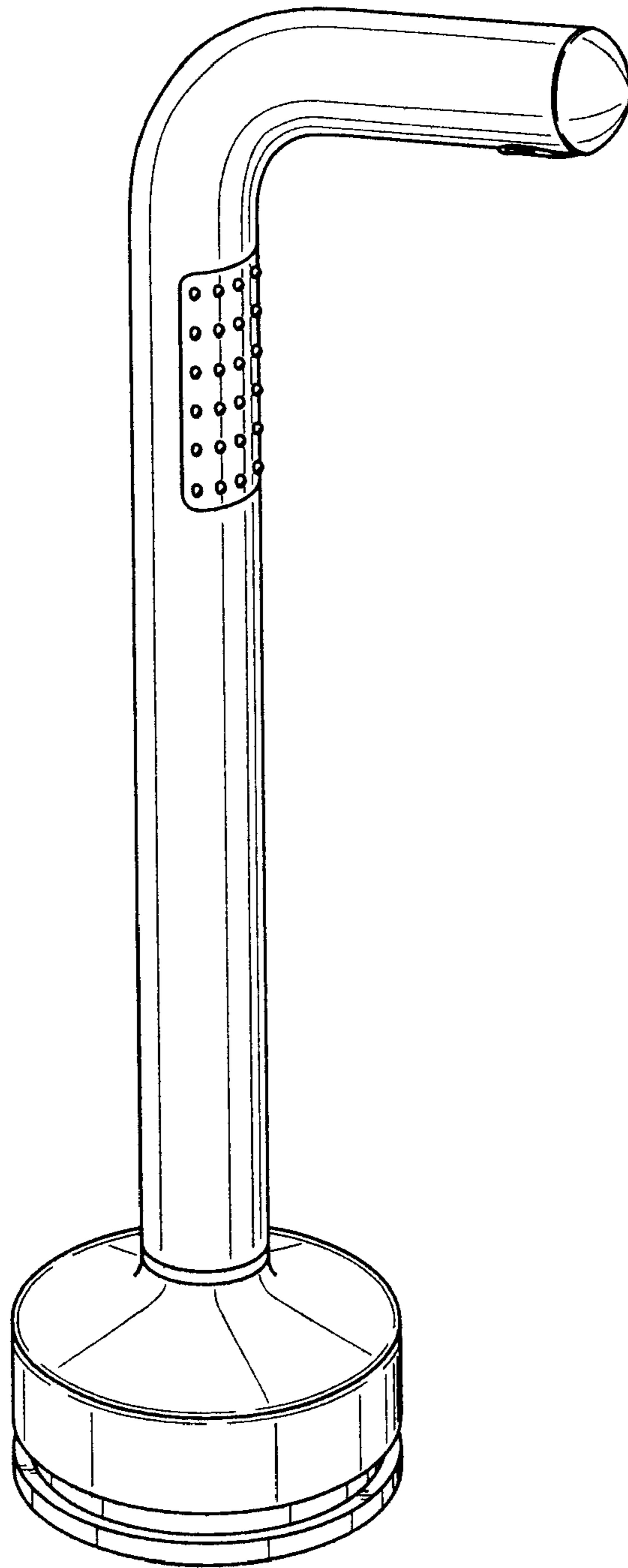


Fig. 1

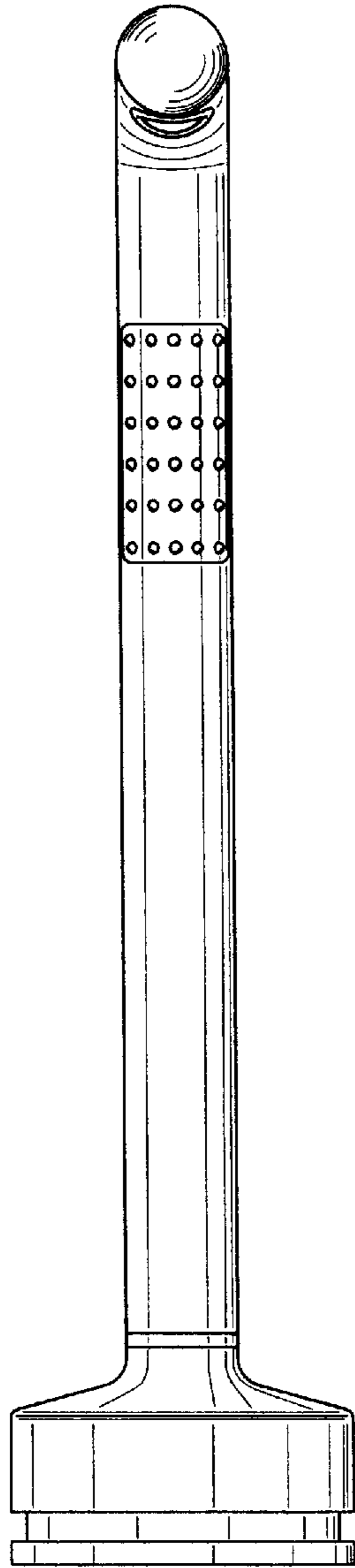


Fig. 2

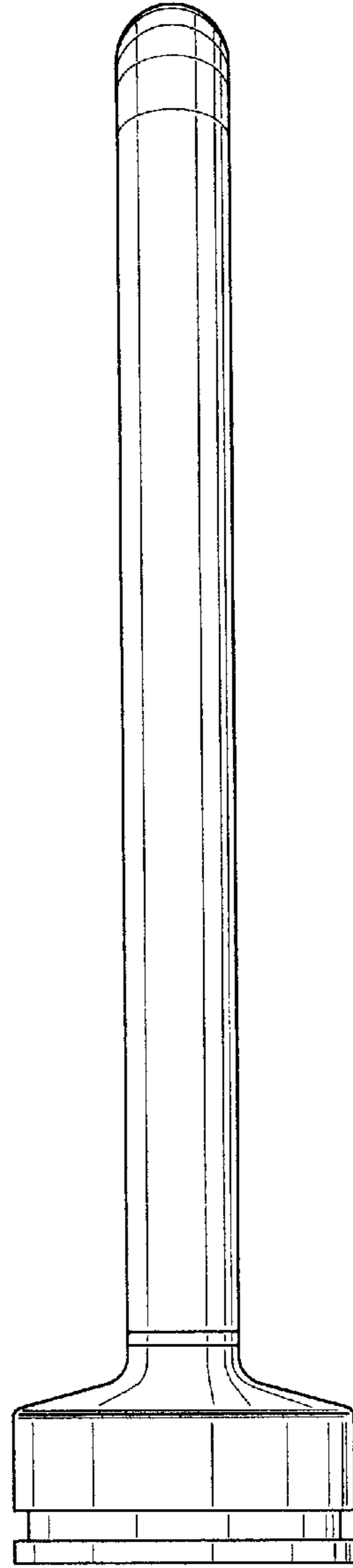


Fig. 3

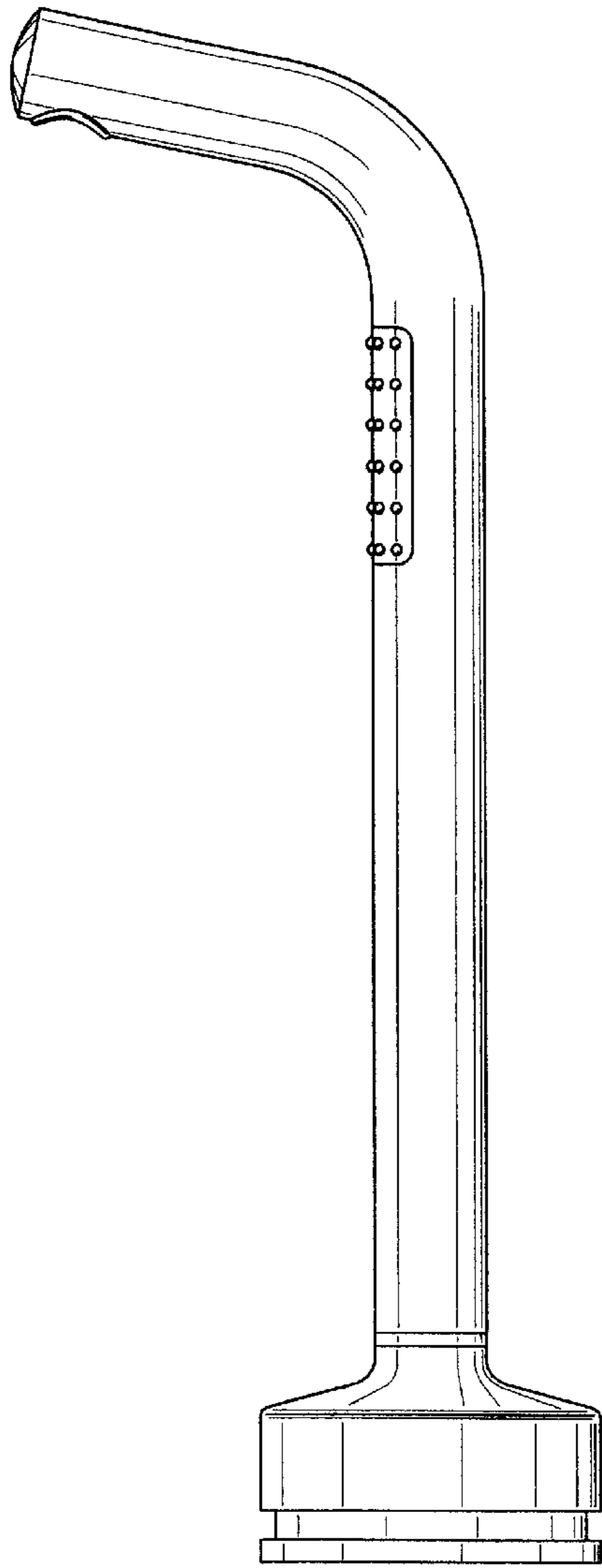


Fig. 4

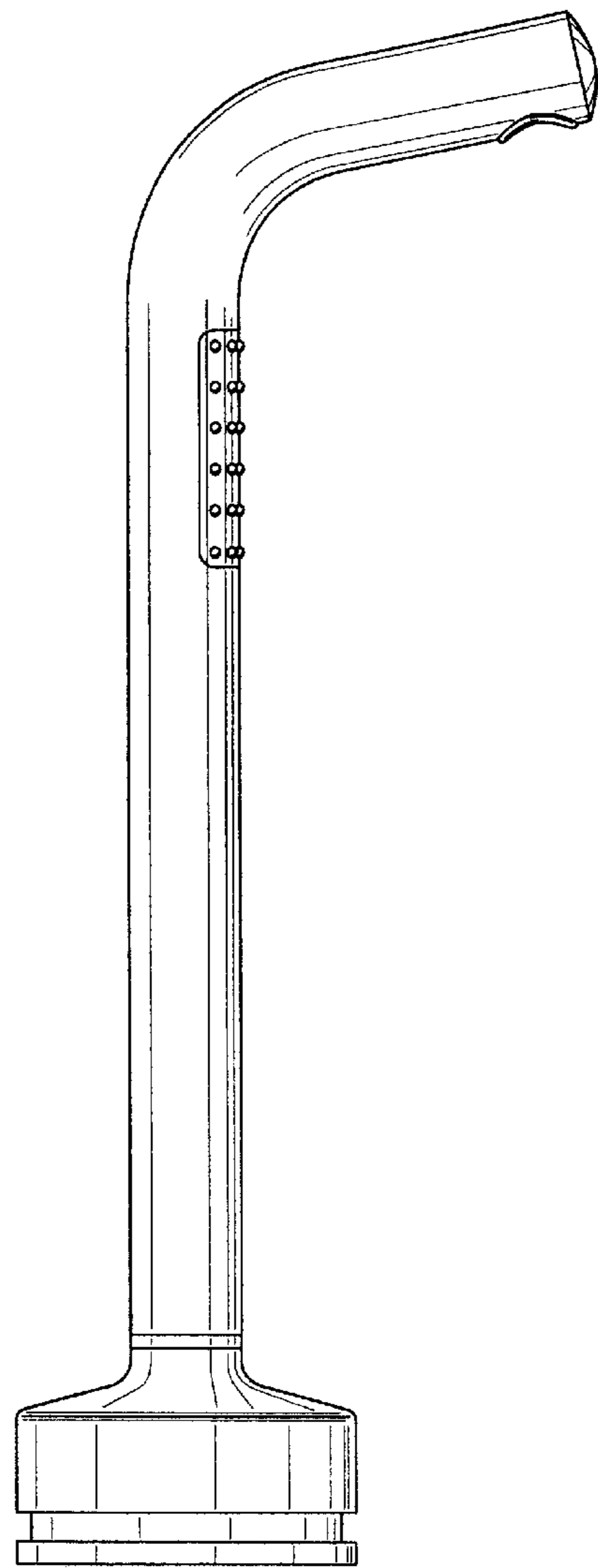


Fig. 5

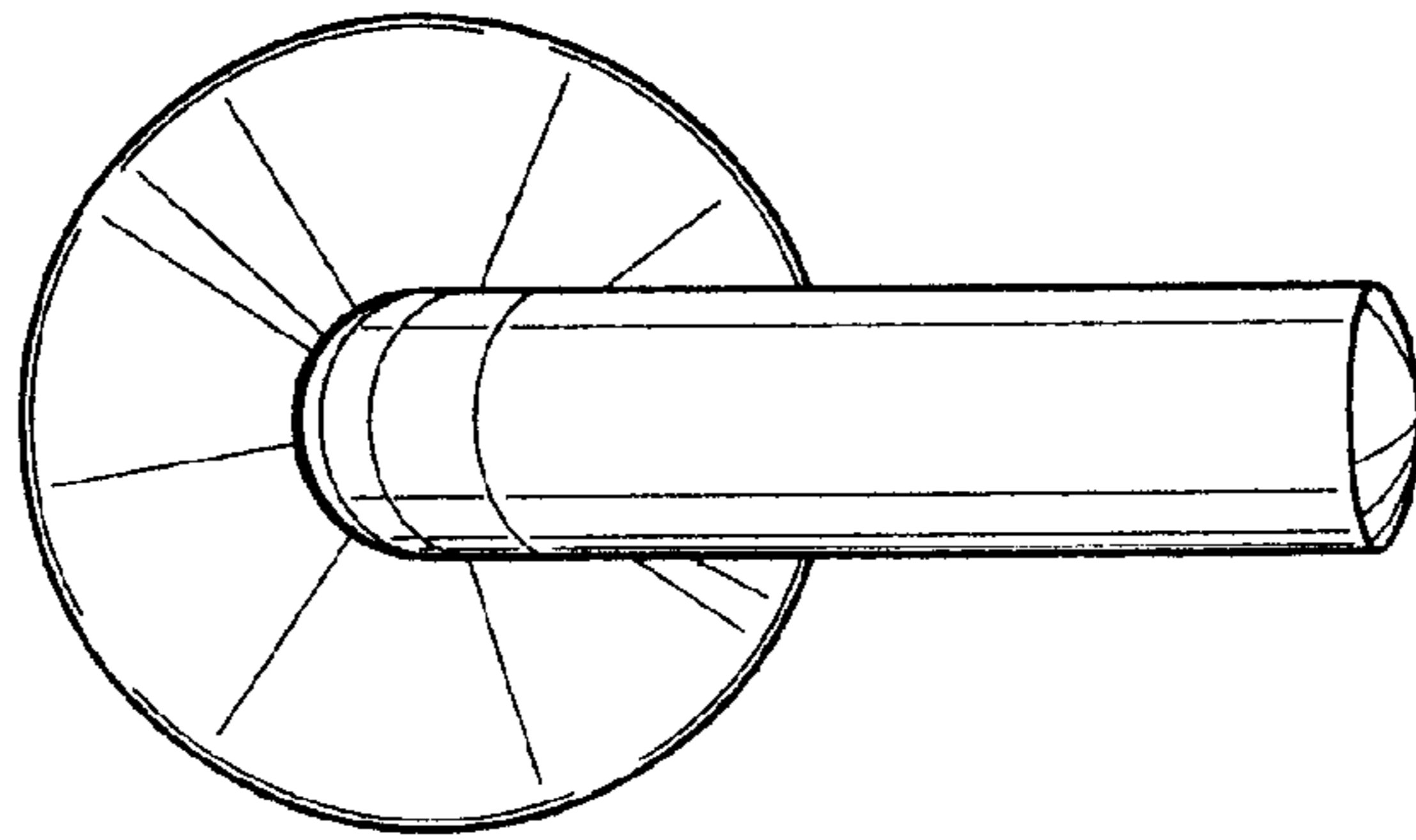


Fig. 6

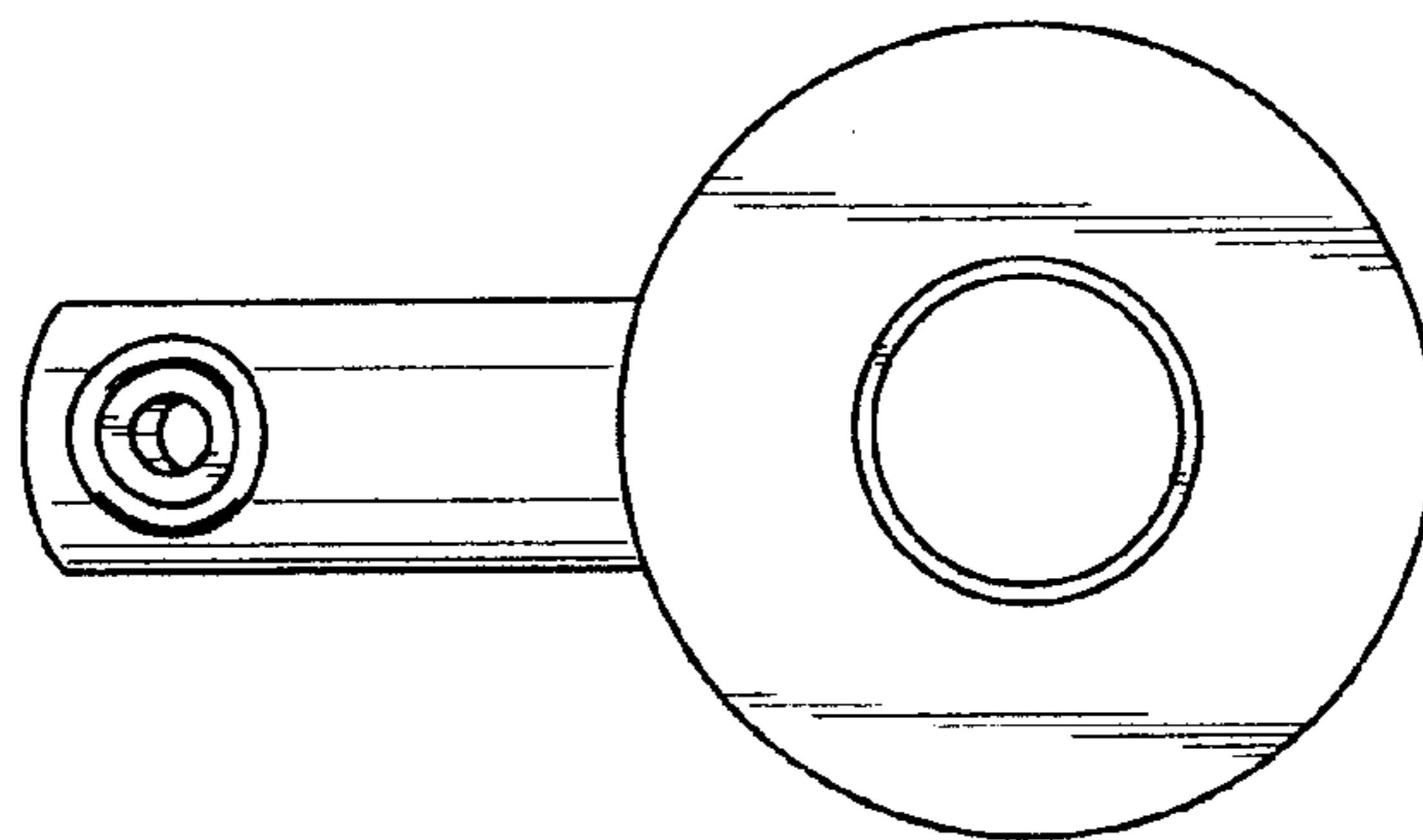


Fig. 7