



US00D535352S

(12) **United States Design Patent**
Verdon

(10) **Patent No.:** **US D535,352 S**

(45) **Date of Patent:** **** Jan. 16, 2007**

(54) **CONTAINER FOR WATER TREATMENT DEVICE**

(76) Inventor: **Stephen M. Verdon**, Box 36-5000,
Liberia Guenacaste (CR)

(**) Term: **14 Years**

(21) Appl. No.: **29/227,669**

(22) Filed: **Apr. 14, 2005**

(51) **LOC (8) Cl.** **23-01**

(52) **U.S. Cl.** **D23/207; D23/204**

(58) **Field of Classification Search** D23/207,
D23/209, 202, 204-5; 220/587, 560.09; D9/519,
D9/549

See application file for complete search history.

(56) **References Cited**

U.S. PATENT DOCUMENTS

3,713,560	A	*	1/1973	Slysh et al.	137/343
D239,506	S	*	4/1976	Myers	D23/202
D264,994	S	*	6/1982	Ripley	D24/117
D273,977	S	*	5/1984	Burrows	D23/204
5,128,036	A	*	7/1992	Svensson	210/264
D422,677	S	*	4/2000	Birdsell et al.	D23/209
D465,733	S	*	11/2002	Hill	D9/519
6,478,956	B1	*	11/2002	Kaura	210/232

* cited by examiner

Primary Examiner—Robin Webster

(74) *Attorney, Agent, or Firm*—Frijouf, Rust & Pyle, P.A.

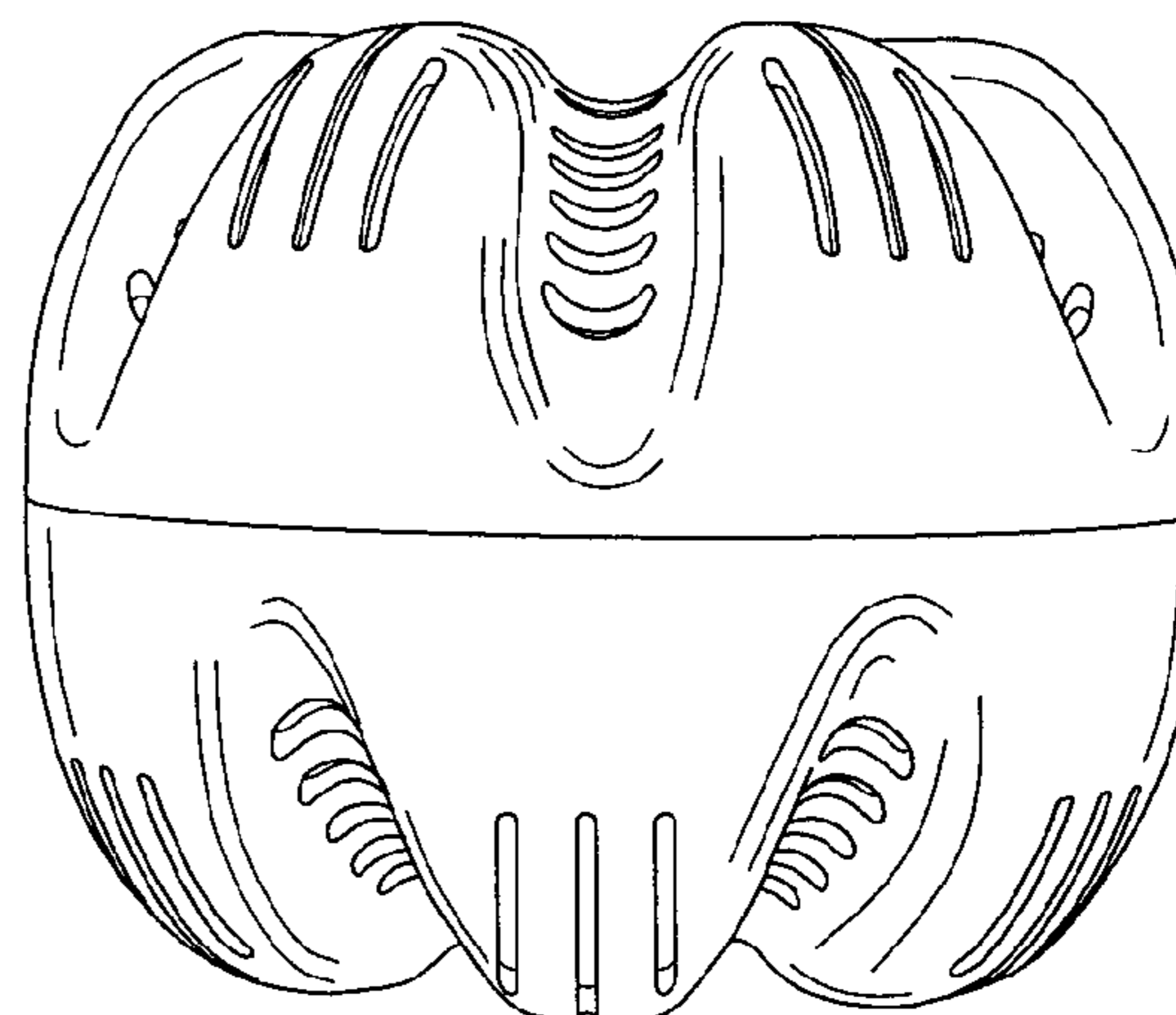
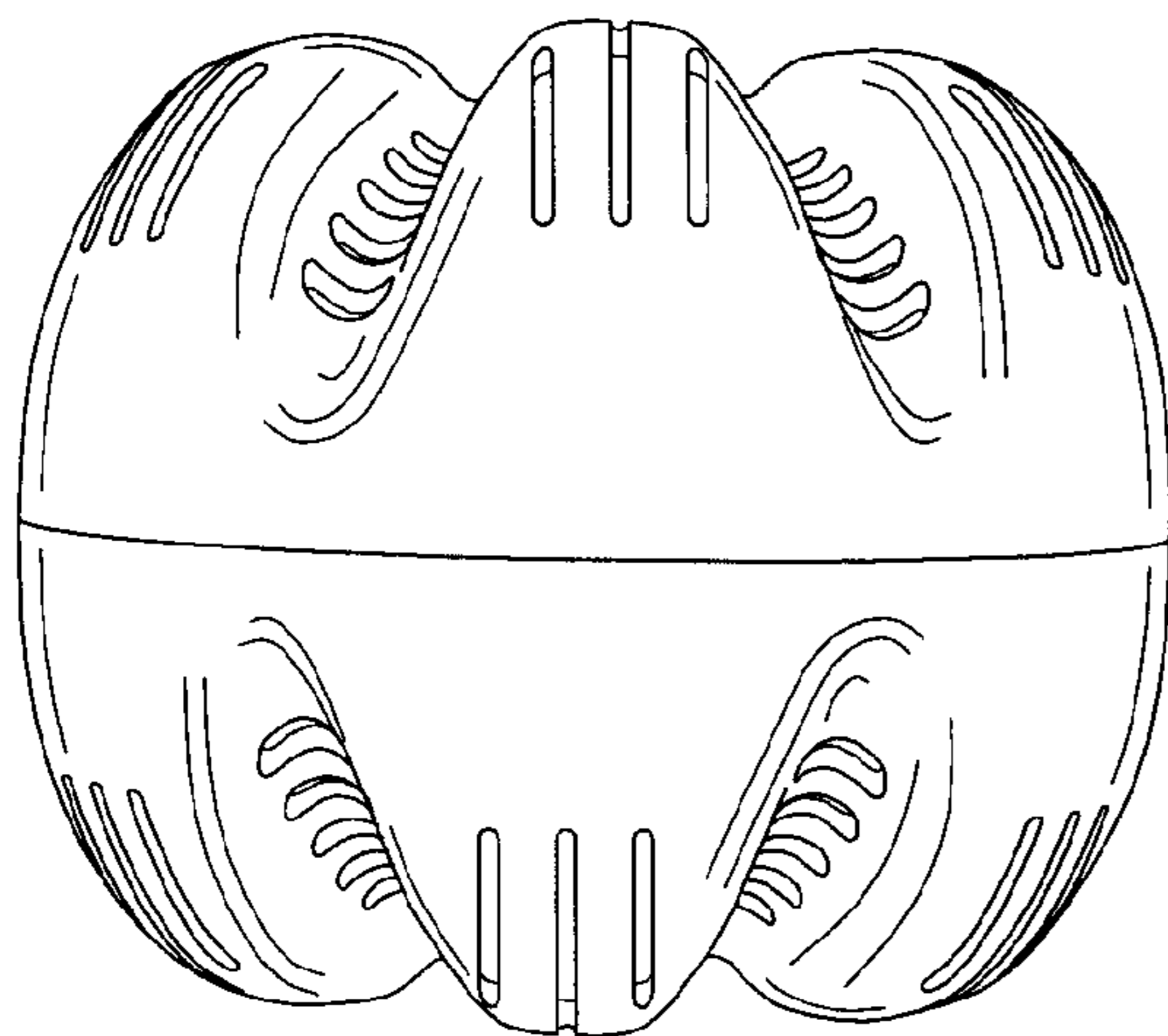
(57) **CLAIM**

The ornamental design for a container for water treatment device, as shown and described.

DESCRIPTION

FIG. 1 is a top isometric view of my new design for a container for water treatment device;
 FIG. 2 is a bottom isometric view of my new design;
 FIG. 3 is a front view thereof;
 FIG. 4 is a rear view thereof;
 FIG. 5 is a left side view thereof;
 FIG. 6 is a right side view thereof;
 FIG. 7 is a top view thereof;
 FIG. 8 is a bottom view thereof;
 FIG. 9 is a view along line 9—9 in FIG. 3;
 FIG. 10 is a view along line 10—10 in FIG. 3;
 FIG. 11 is a front view similar to FIG. 3 with the top portion rotated relative to the bottom portion of my new design;
 FIG. 12 is a rear view thereof;
 FIG. 13 is a left side view thereof;
 FIG. 14 is a right side view thereof;
 FIG. 15 is a top view thereof;
 FIG. 16 is a bottom view thereof;
 FIG. 17 is a view along line 17—17 in FIG. 11; and,
 FIG. 18 is a view along line 18—18 in FIG. 11.

1 Claim, 9 Drawing Sheets



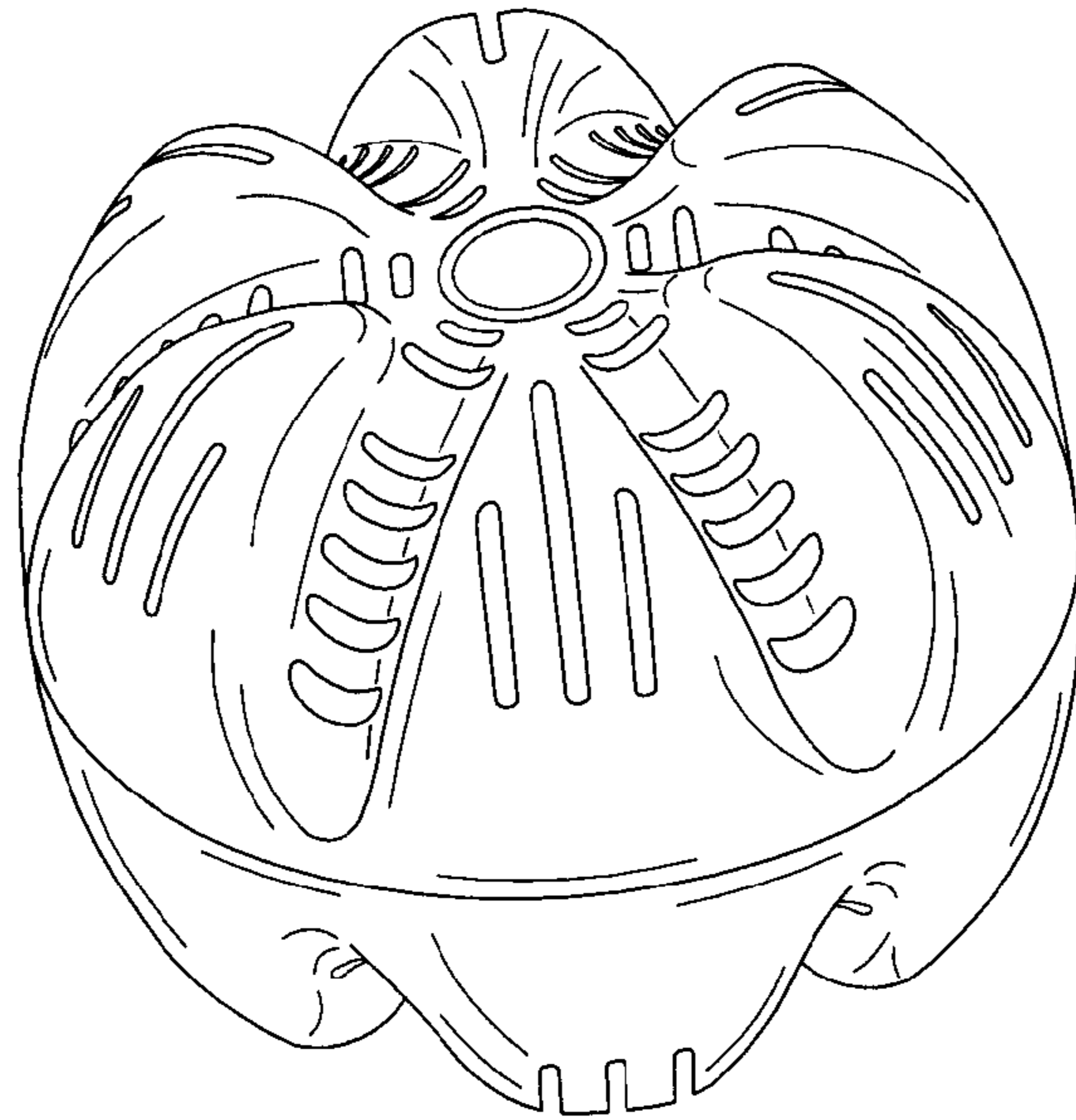


FIG. 1

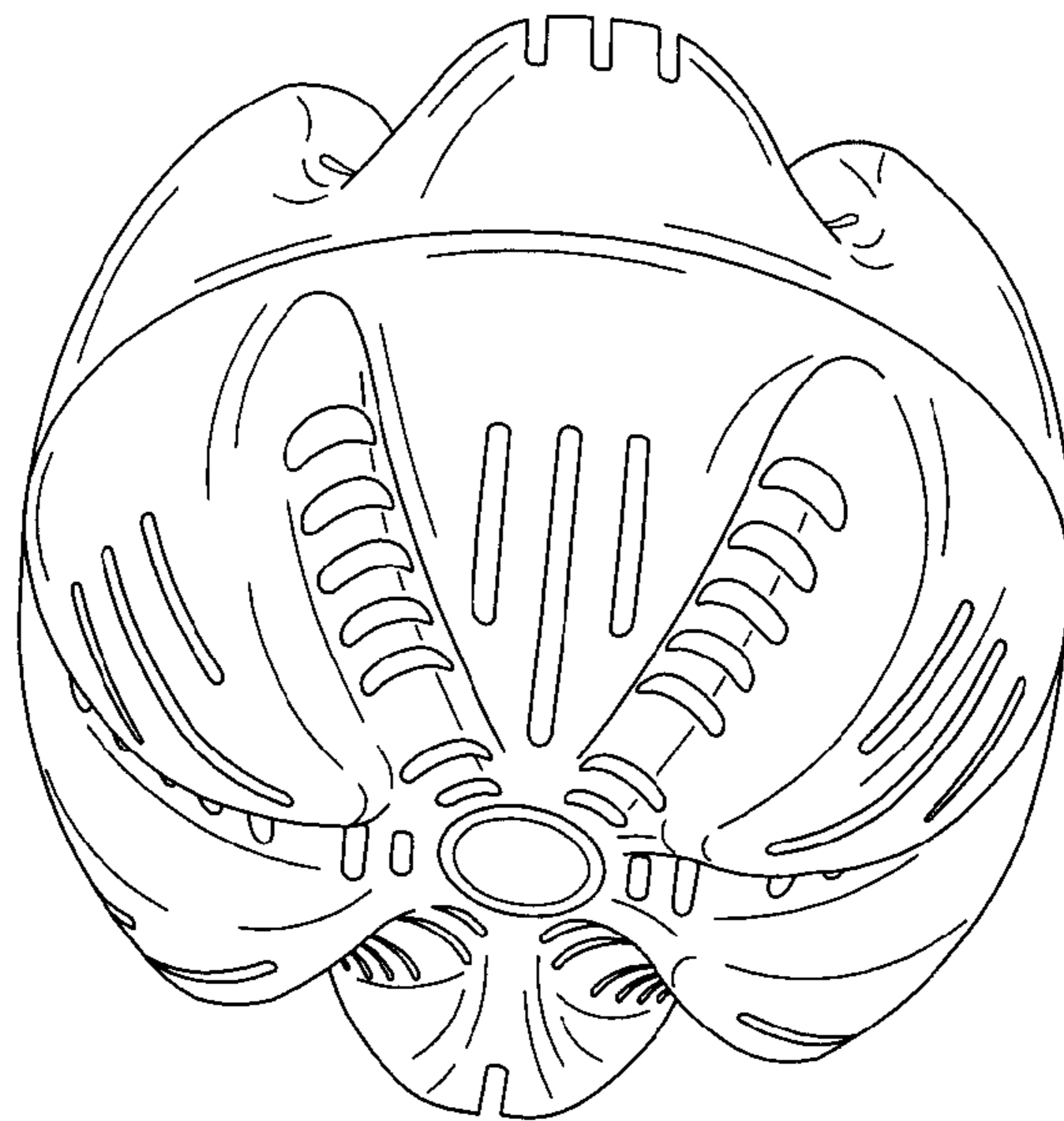


FIG. 2

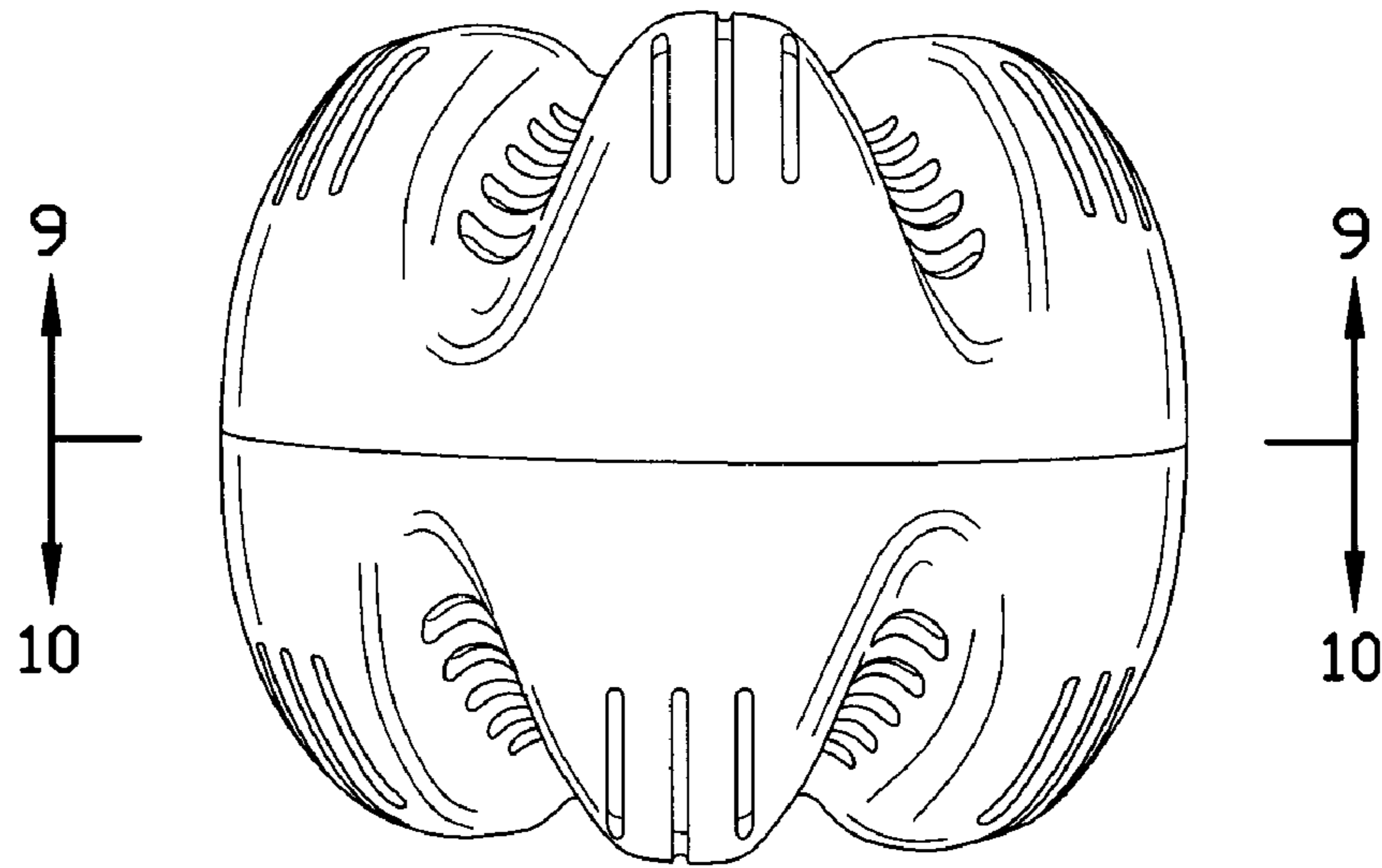


FIG. 3

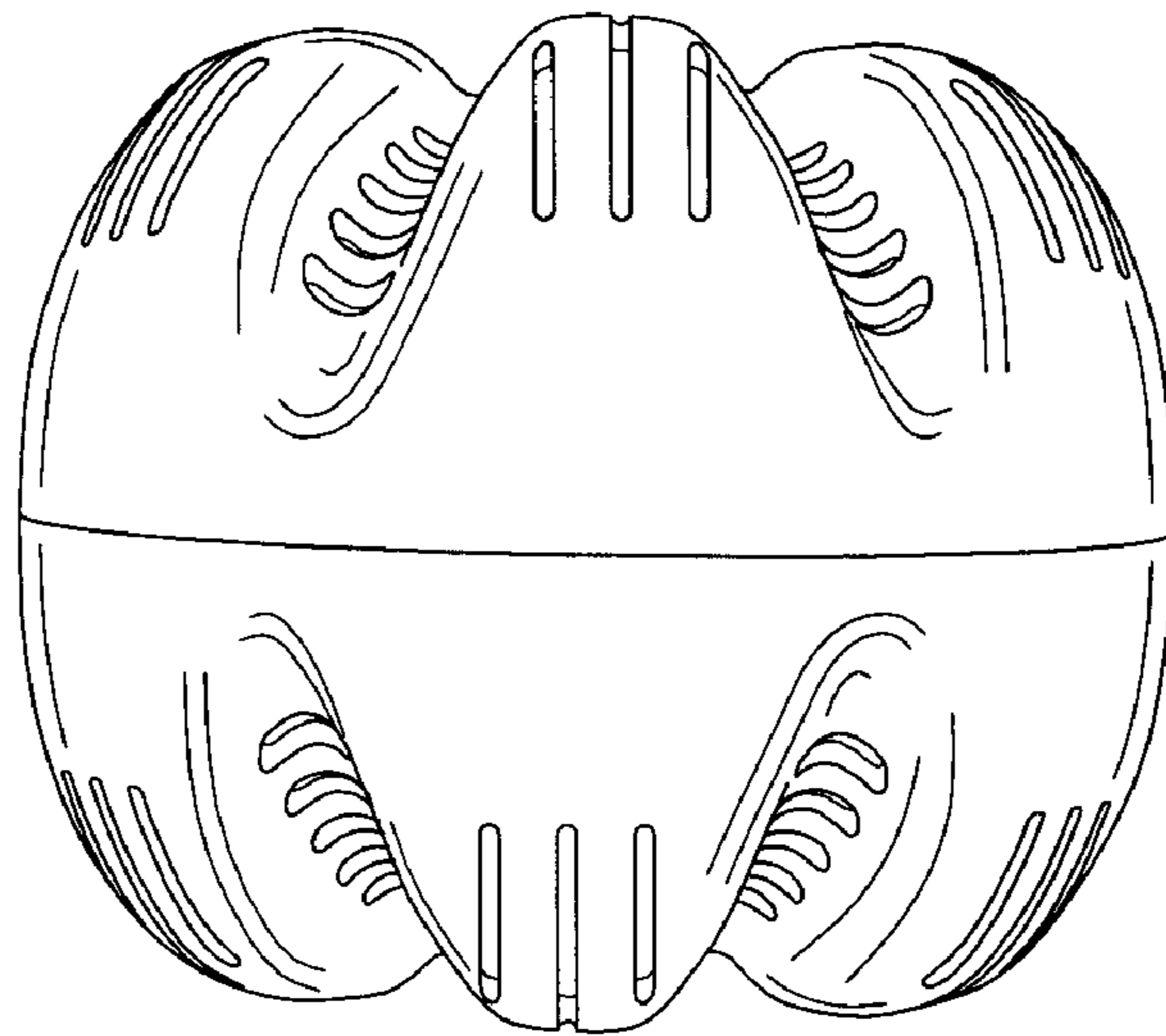


FIG. 4

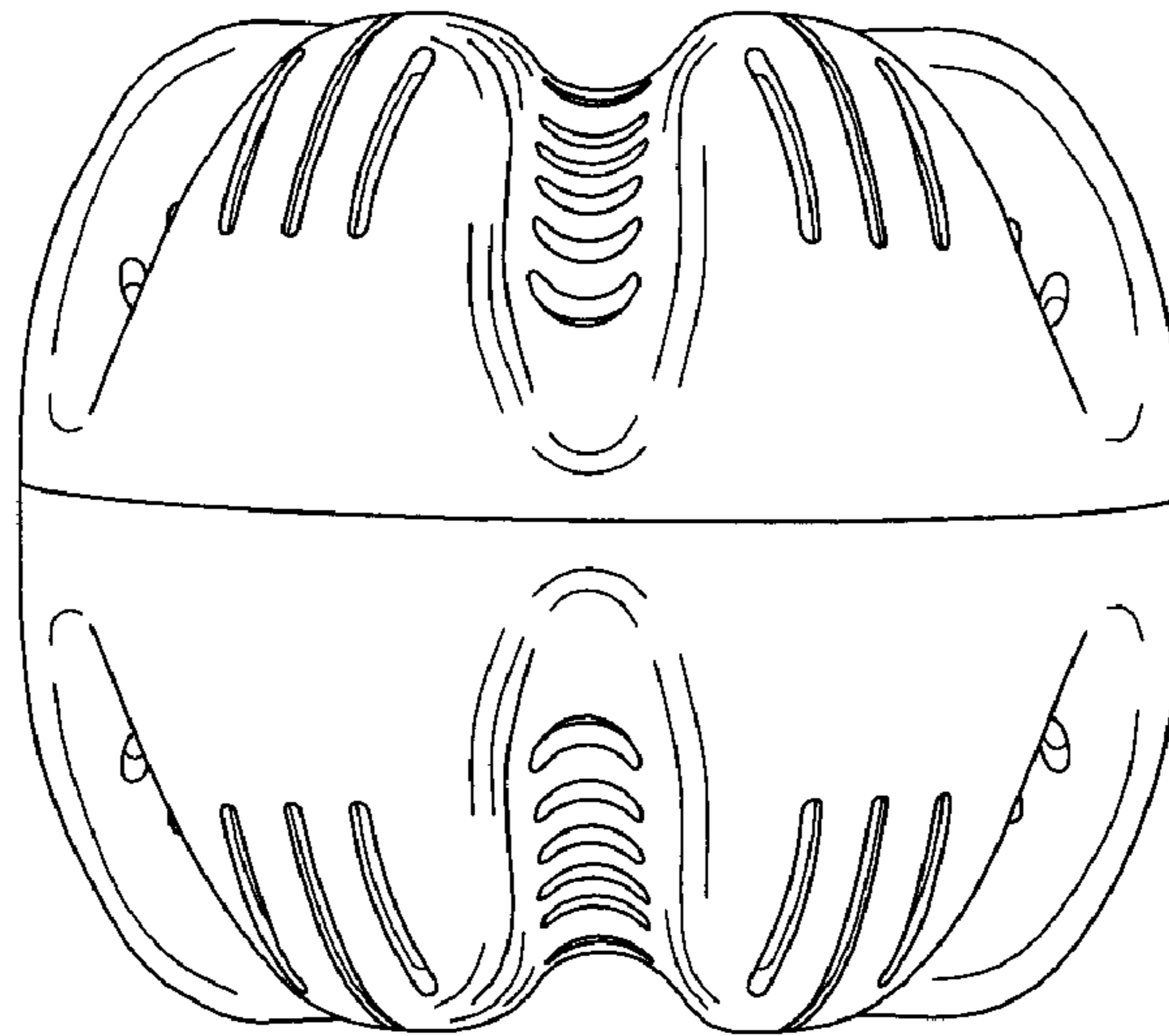


FIG. 5

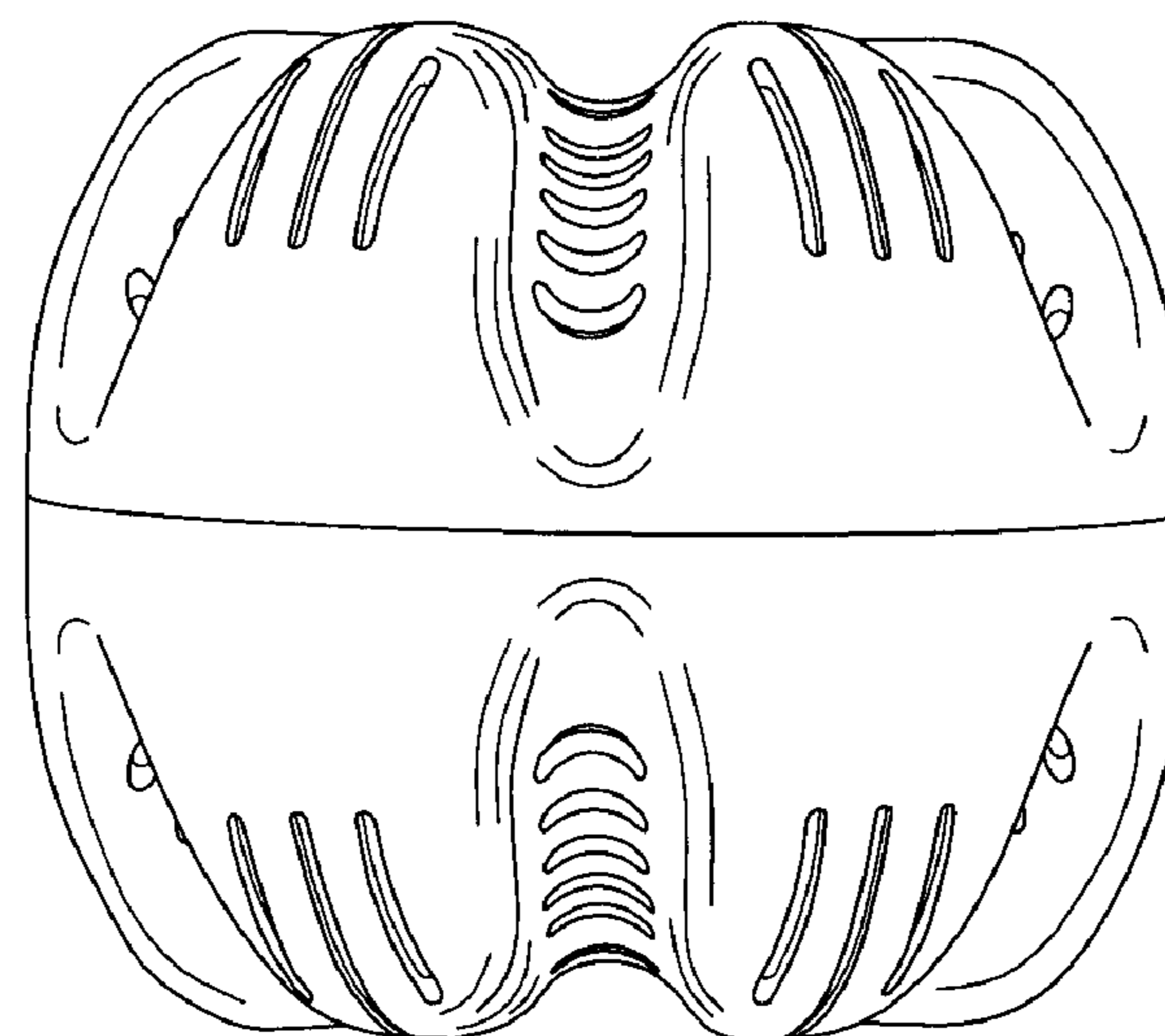


FIG. 6

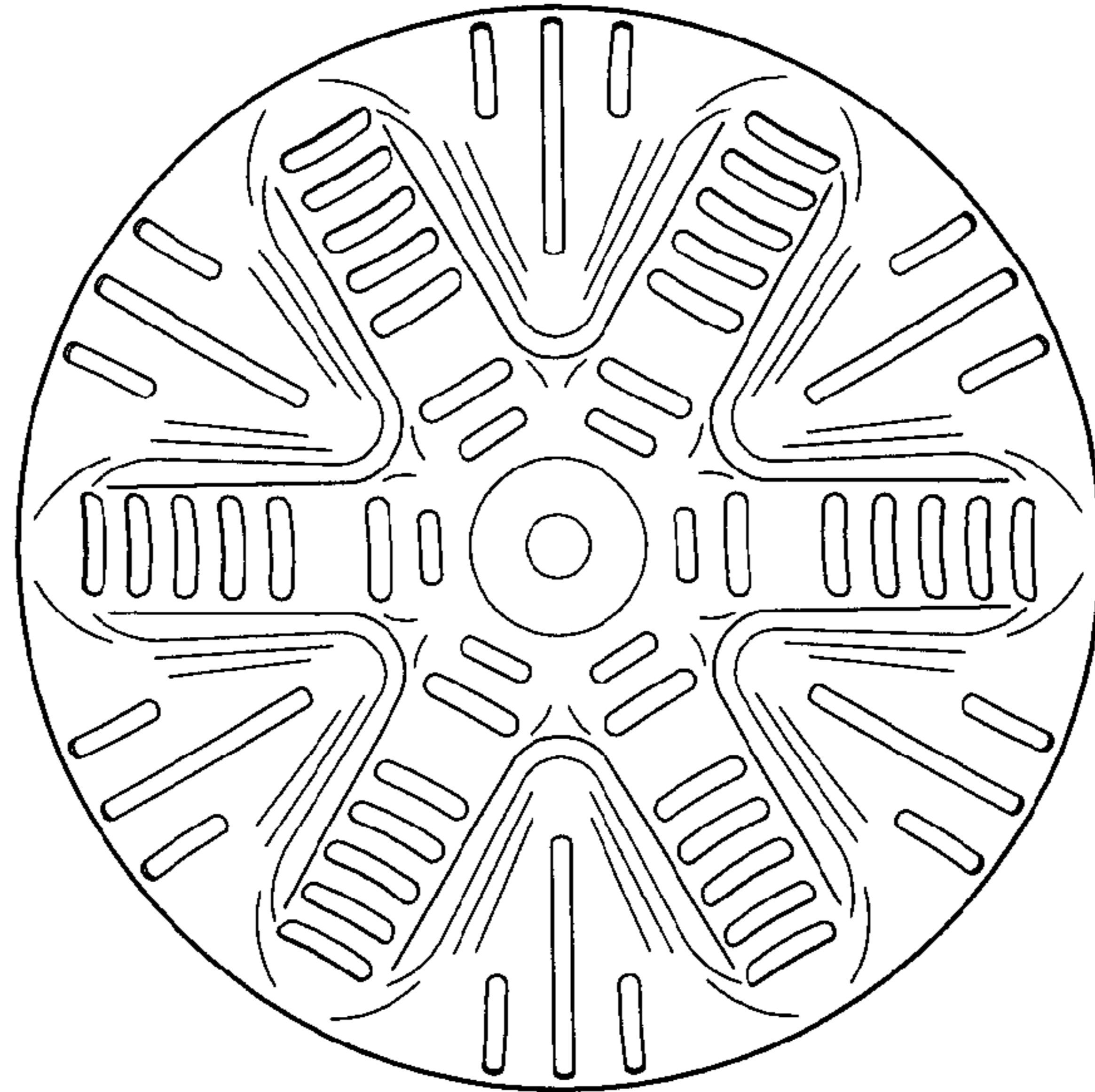


FIG. 7

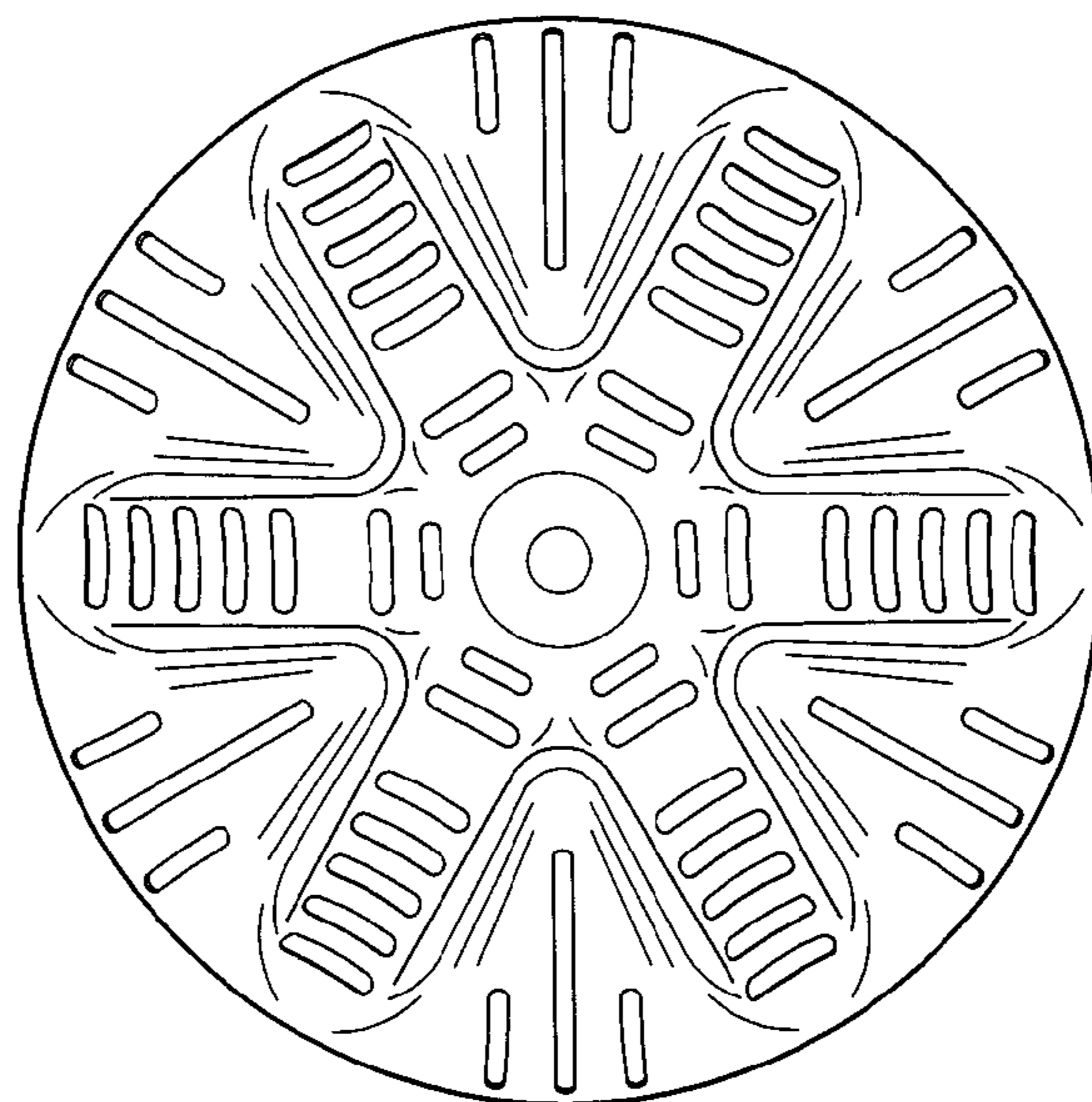


FIG. 8

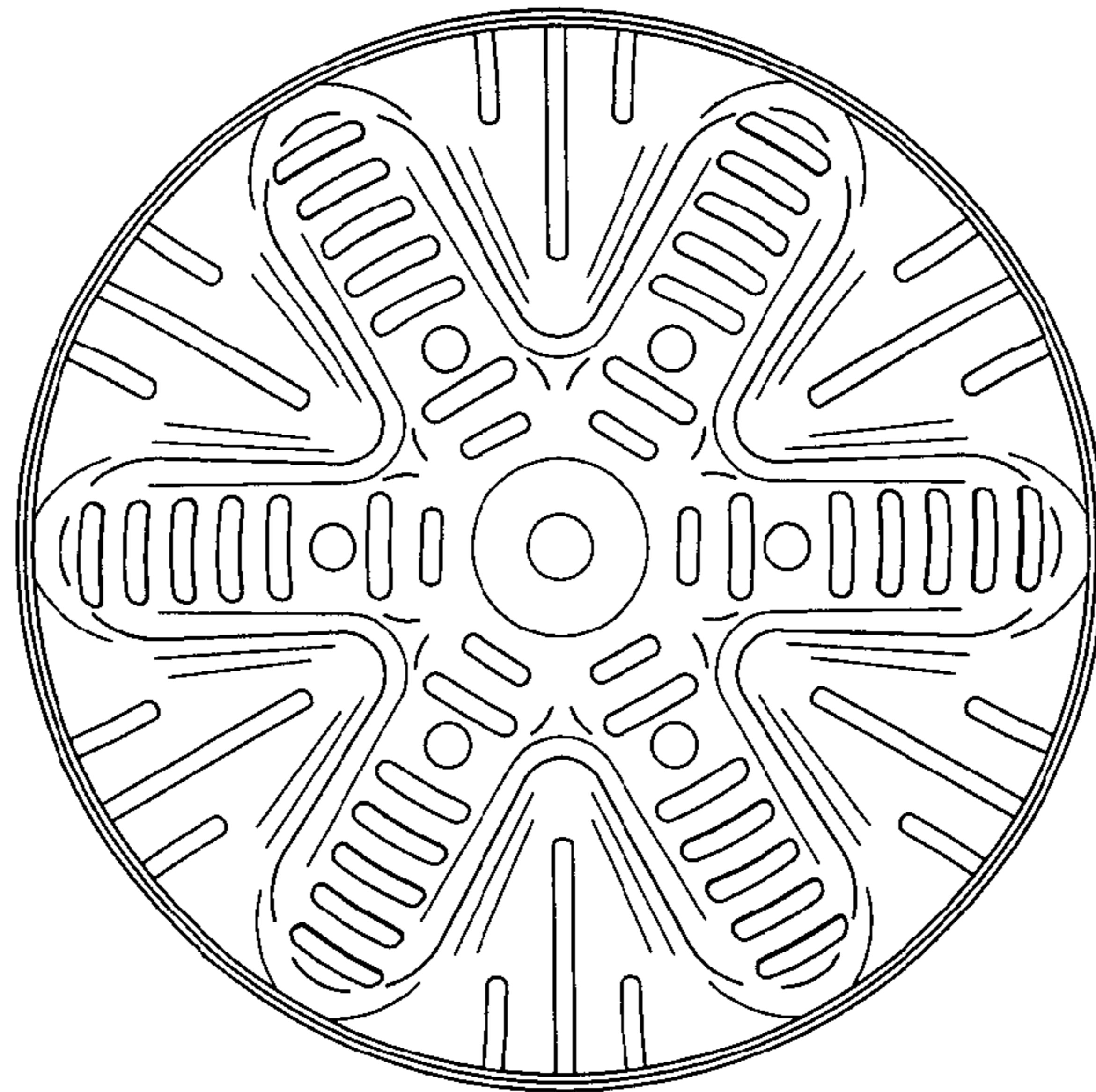


FIG. 9

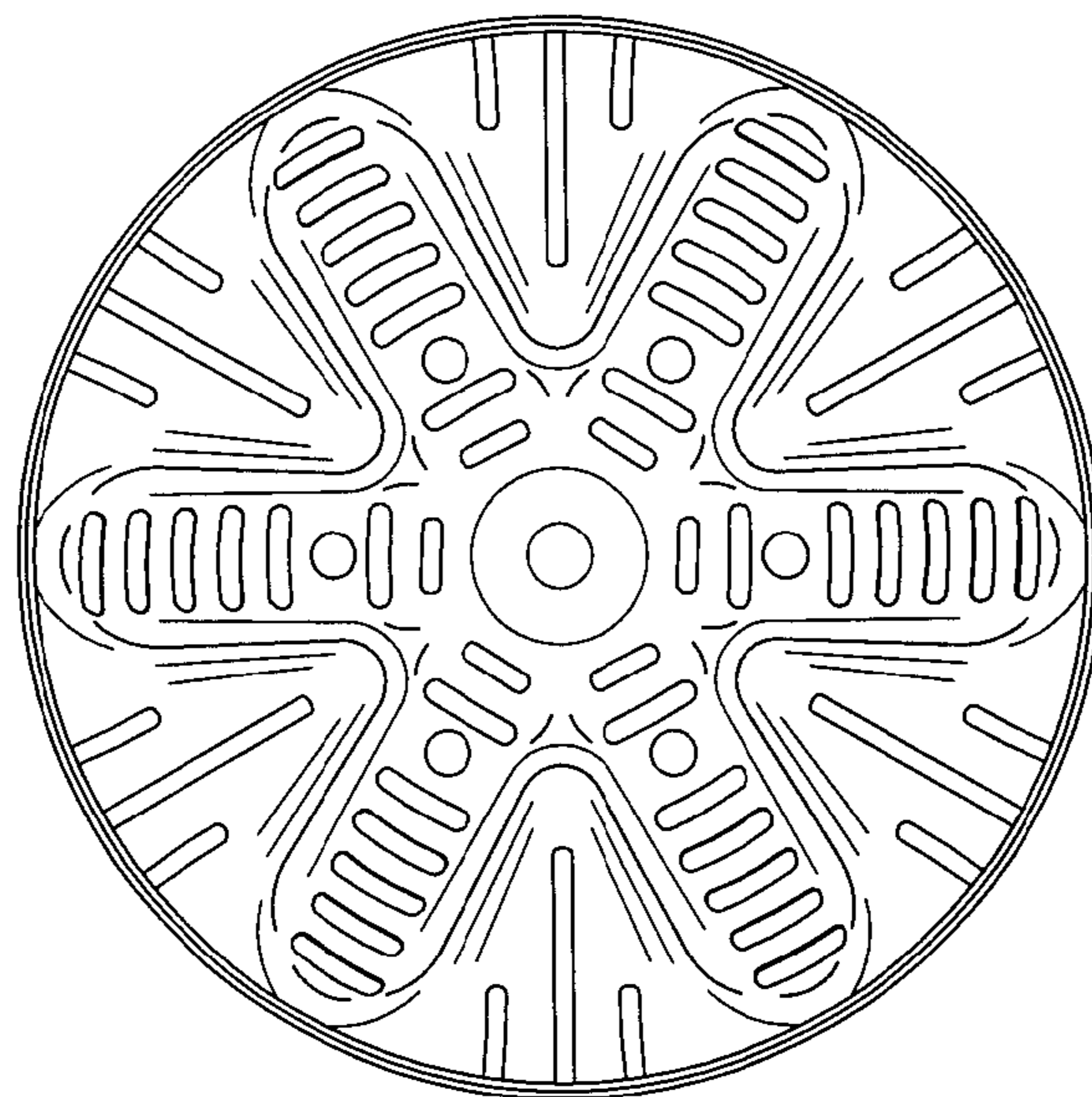


FIG. 10

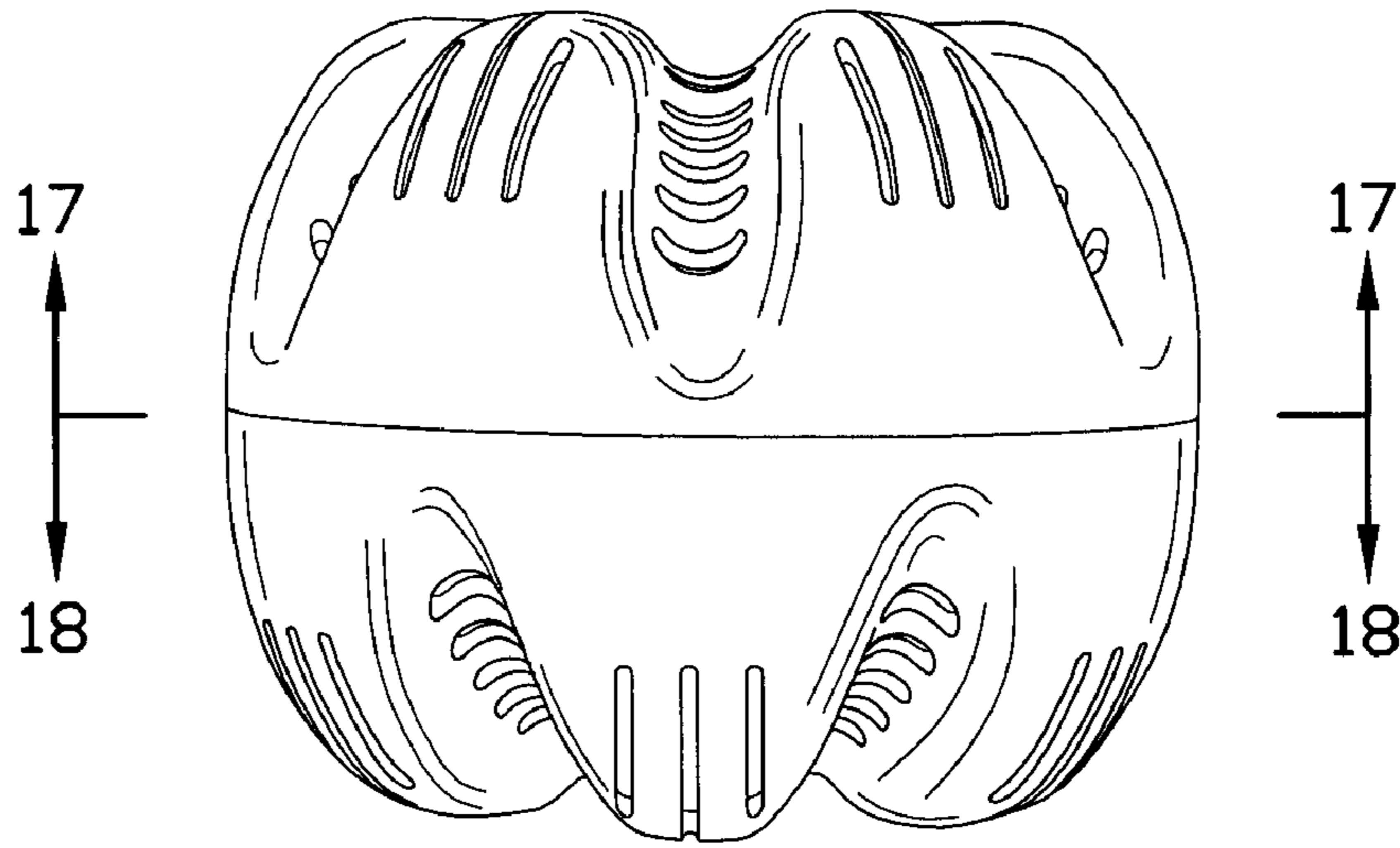


FIG. 11

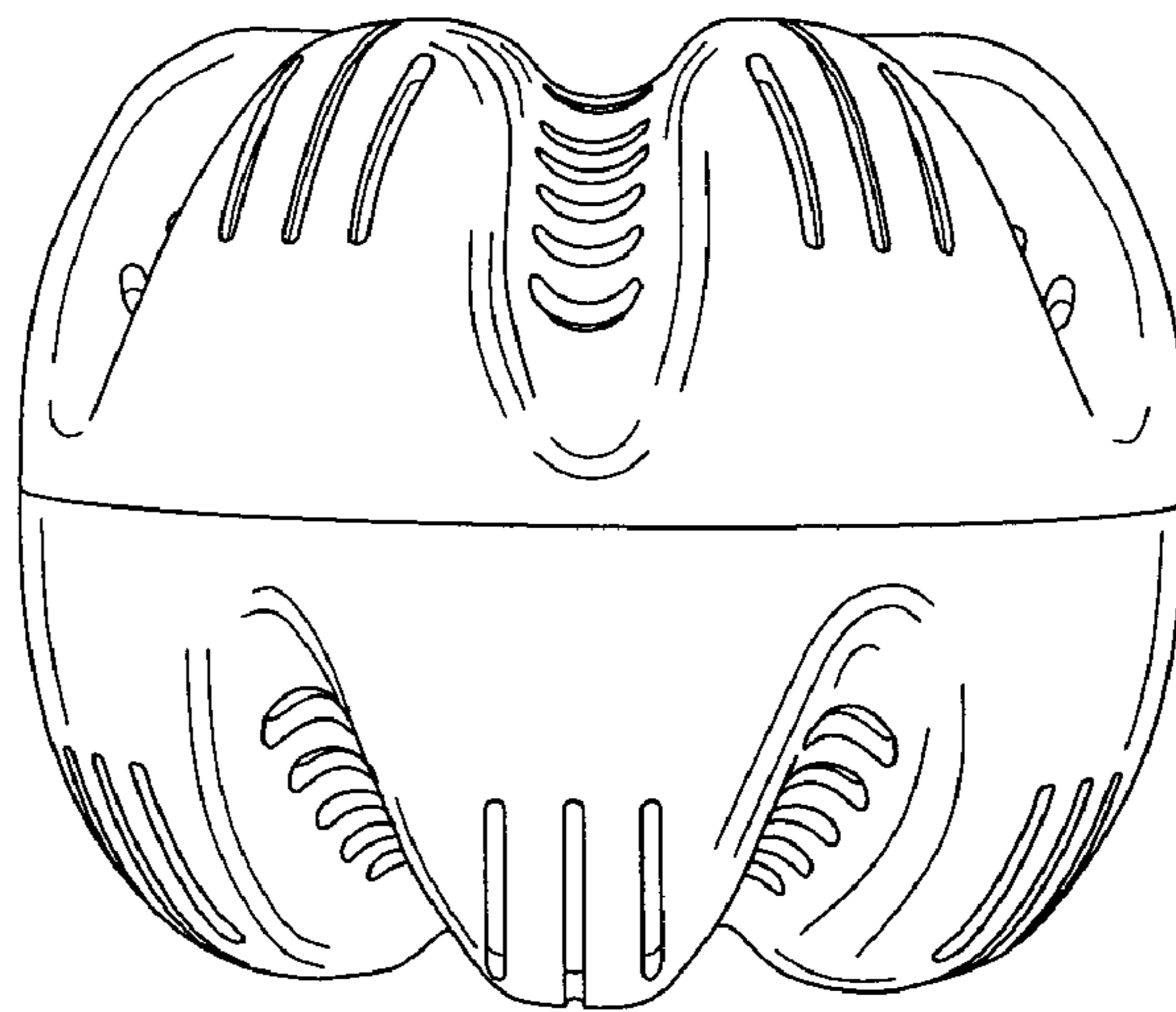


FIG. 12

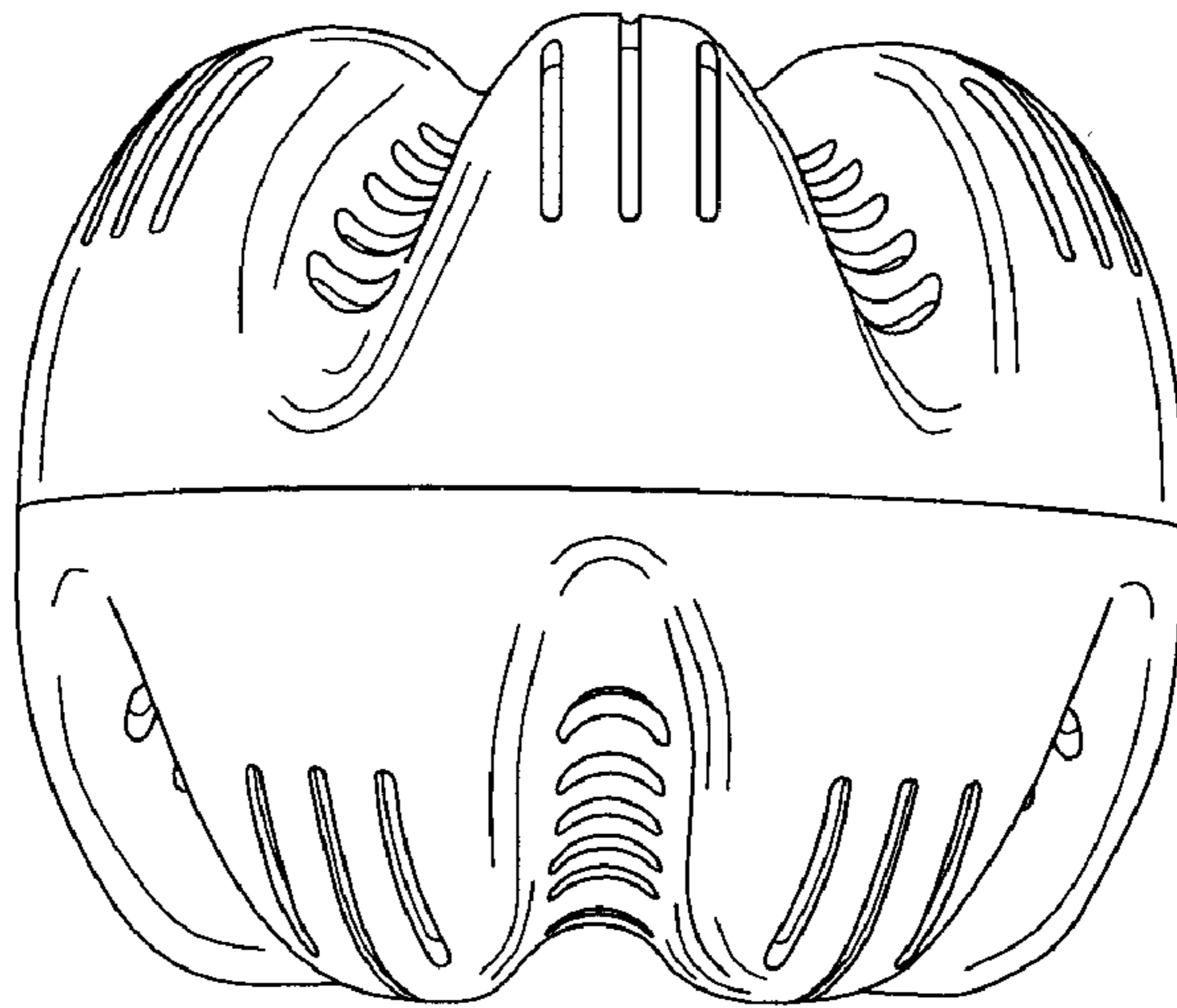


FIG. 13

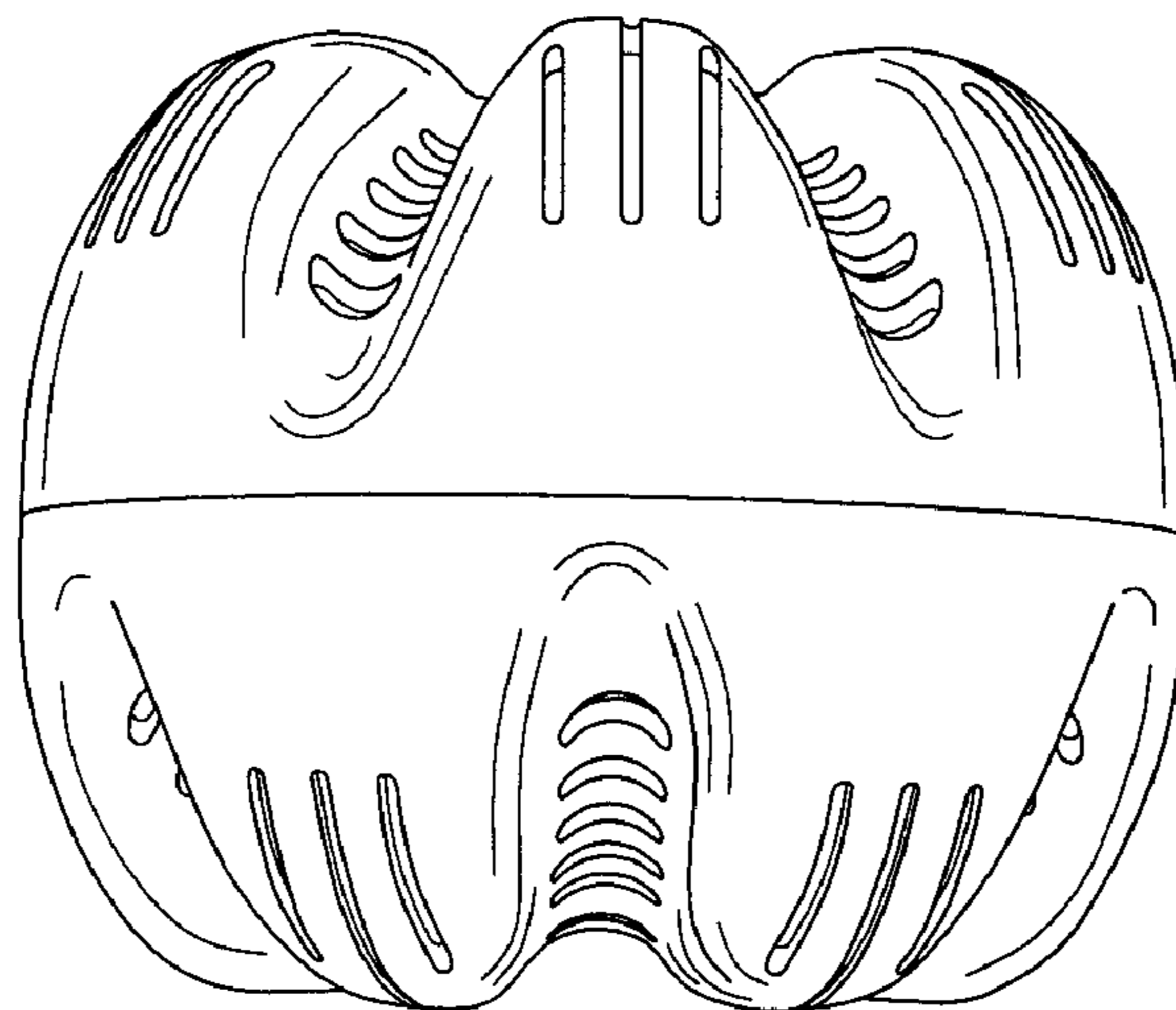


FIG. 14

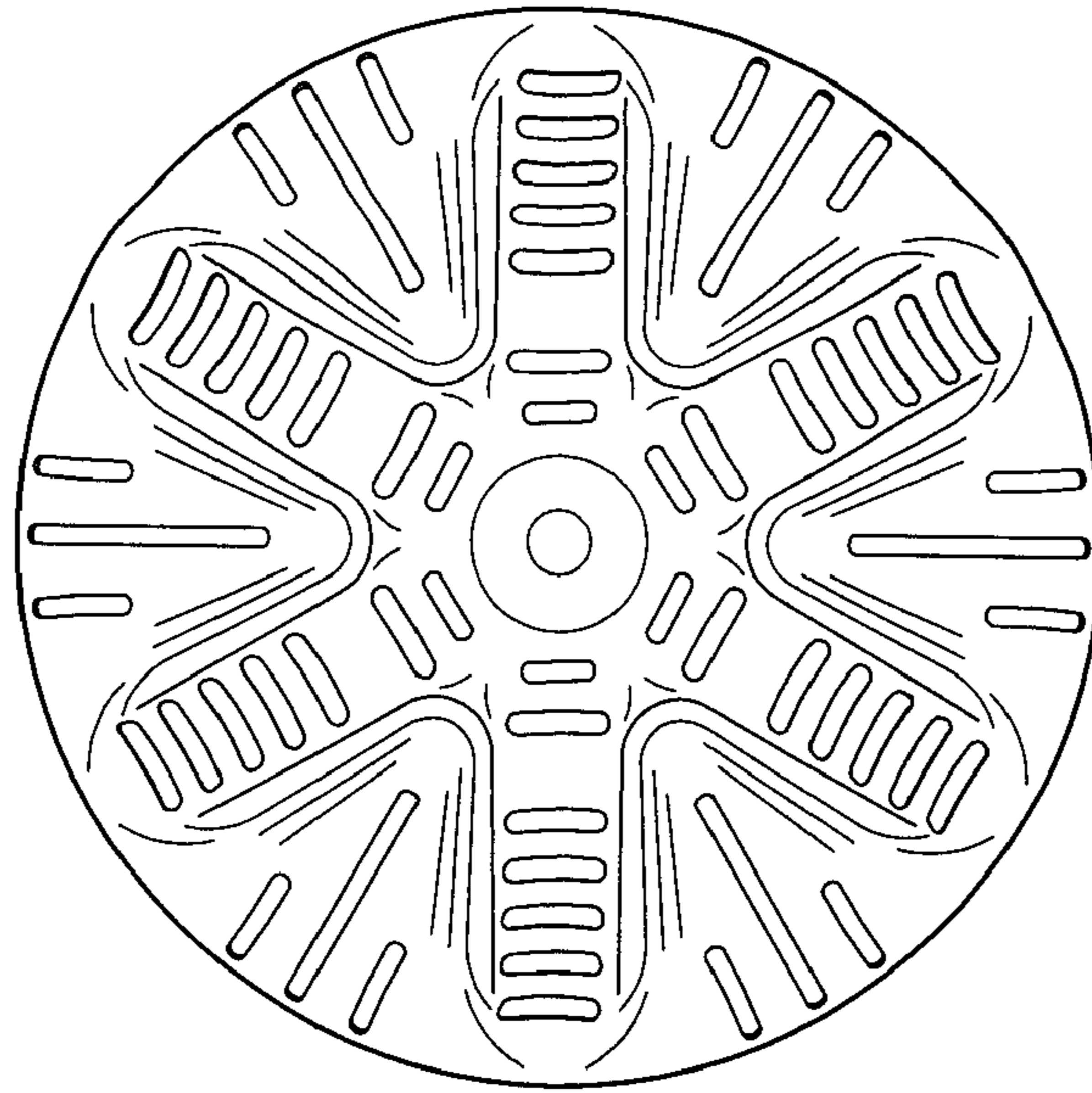


FIG. 15

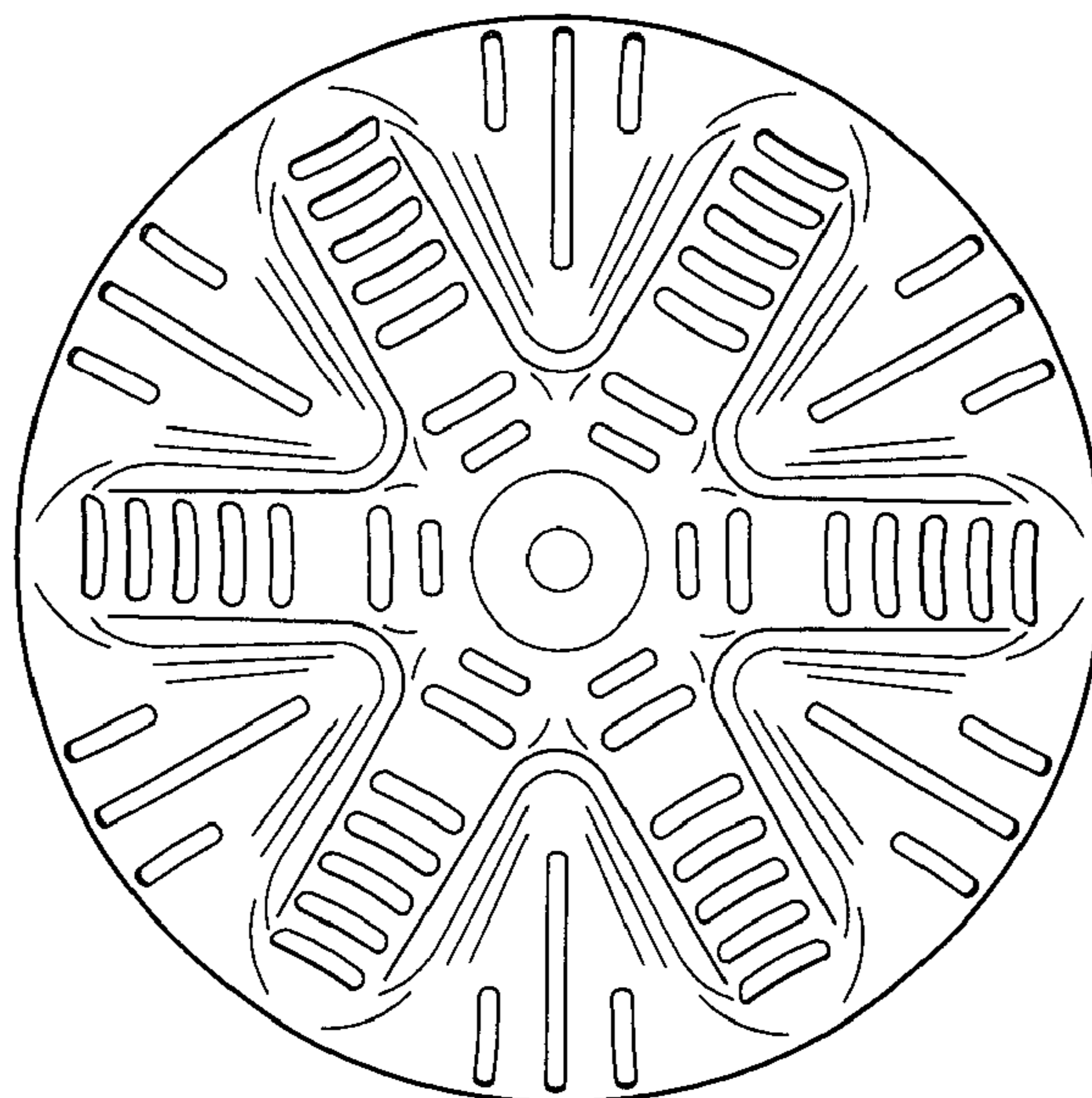


FIG. 16

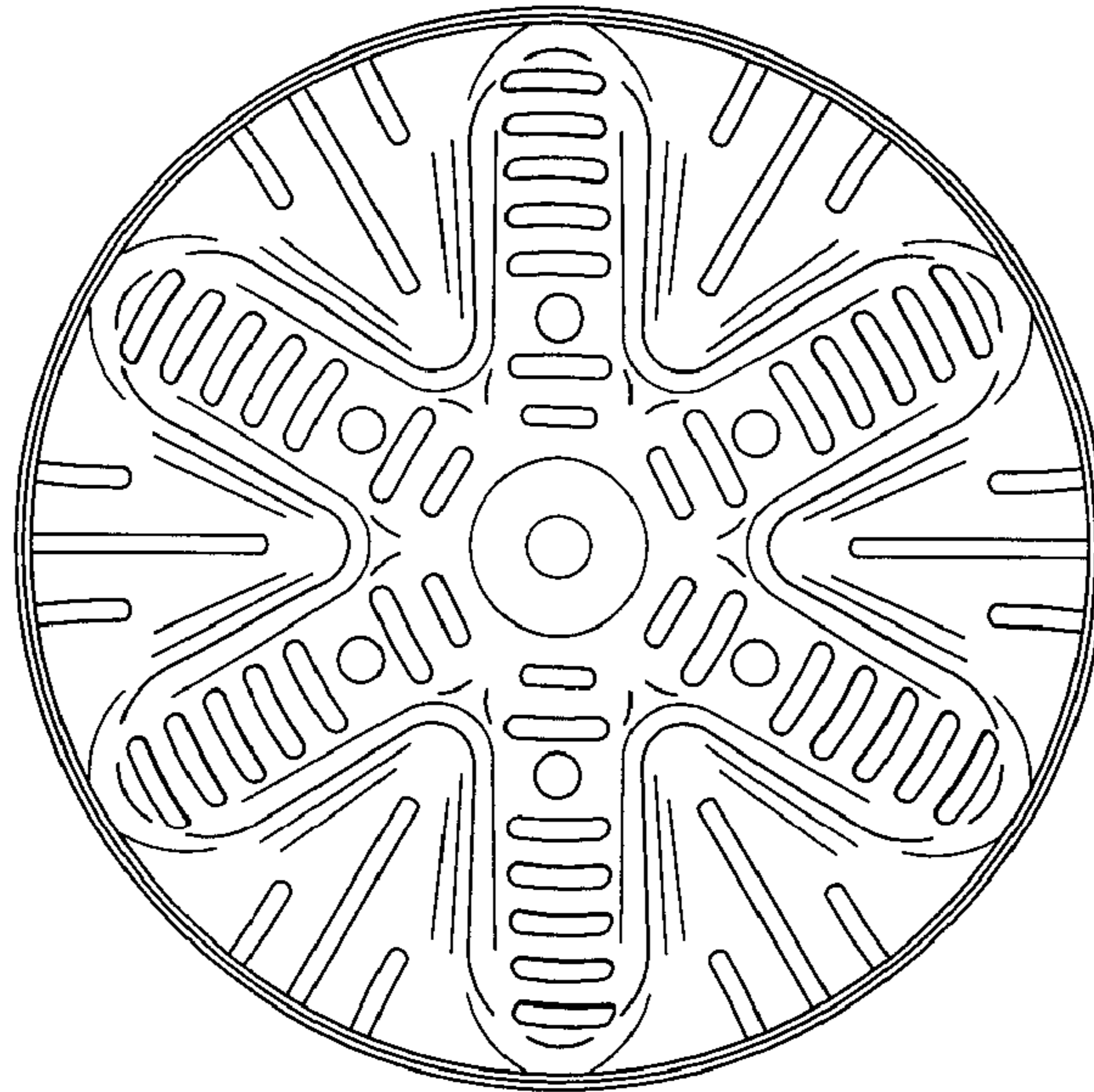


FIG. 17

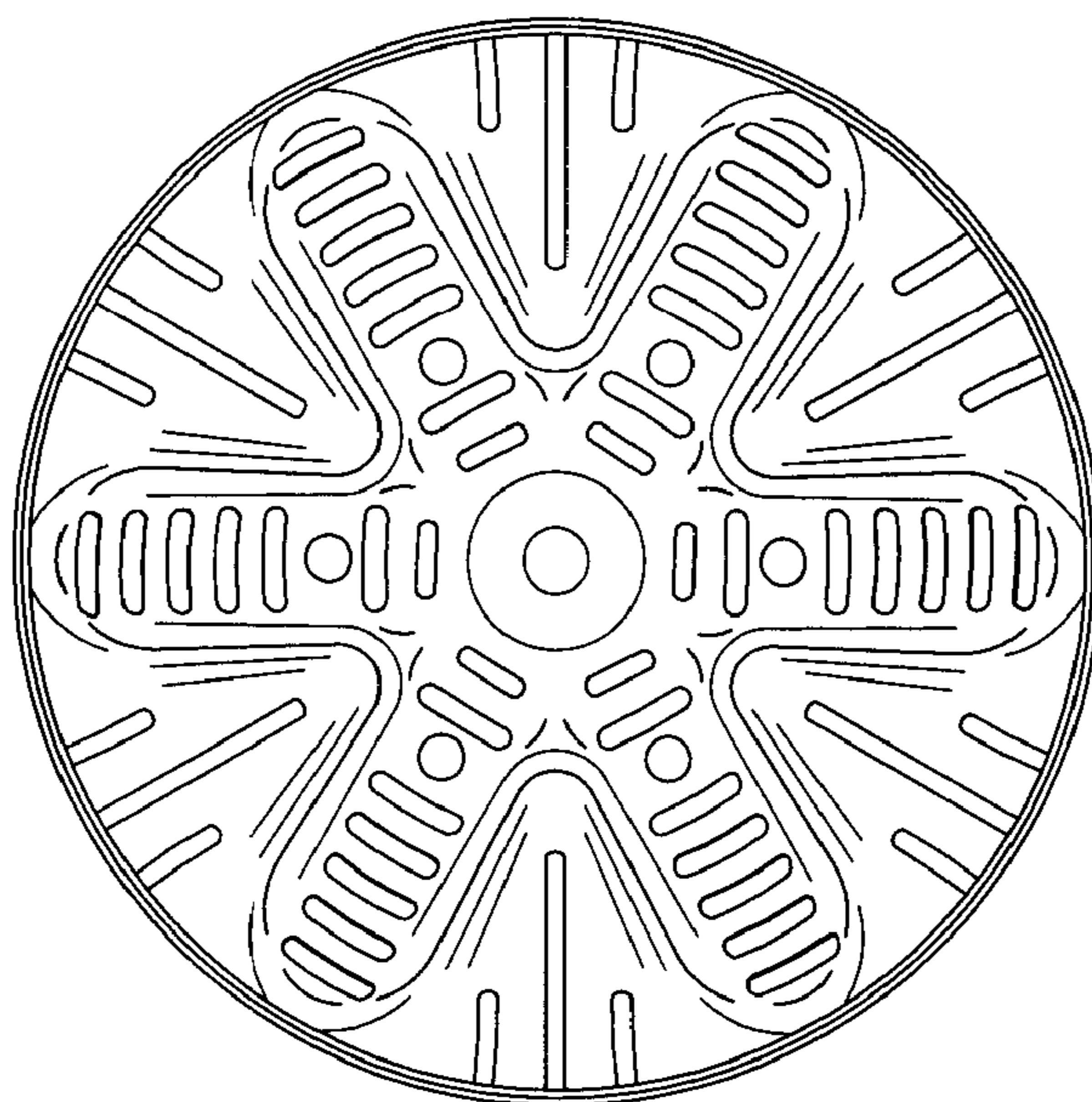


FIG. 18