



US00D535351S

(12) **United States Design Patent**
Glover

(10) **Patent No.:** **US D535,351 S**

(45) **Date of Patent:** **** Jan. 16, 2007**

(54) **FISHING DEVICE**

D414,239 S * 9/1999 Lovelady D22/147
D462,107 S 8/2002 Robertson D22/147

(76) Inventor: **Albert D. Glover**, 6929 S. Yale St.,
Chicago, IL (US) 60612

* cited by examiner

(**) Term: **14 Years**

Primary Examiner—Catherine R. Oliver

(21) Appl. No.: **29/215,024**

(57) **CLAIM**

(22) Filed: **Oct. 14, 2004**

The ornamental design for a fishing device, as shown and described.

(51) **LOC (8) Cl.** **22-05**

(52) **U.S. Cl.** **D22/147**

(58) **Field of Classification Search** D22/147,
D22/134, 137, 139, 142, 148, 199; 43/1,
43/18.1, 21.2, 54.1; 248/511–514, 519–520
See application file for complete search history.

DESCRIPTION

FIG. 1 is a front elevation view of a fishing device showing my new design;

FIG. 2 is a rear elevation view of my invention;

FIG. 3 is a top view of FIG. 1;

FIG. 4 is a bottom view;

FIG. 5 is a right side elevation view of my invention; and,

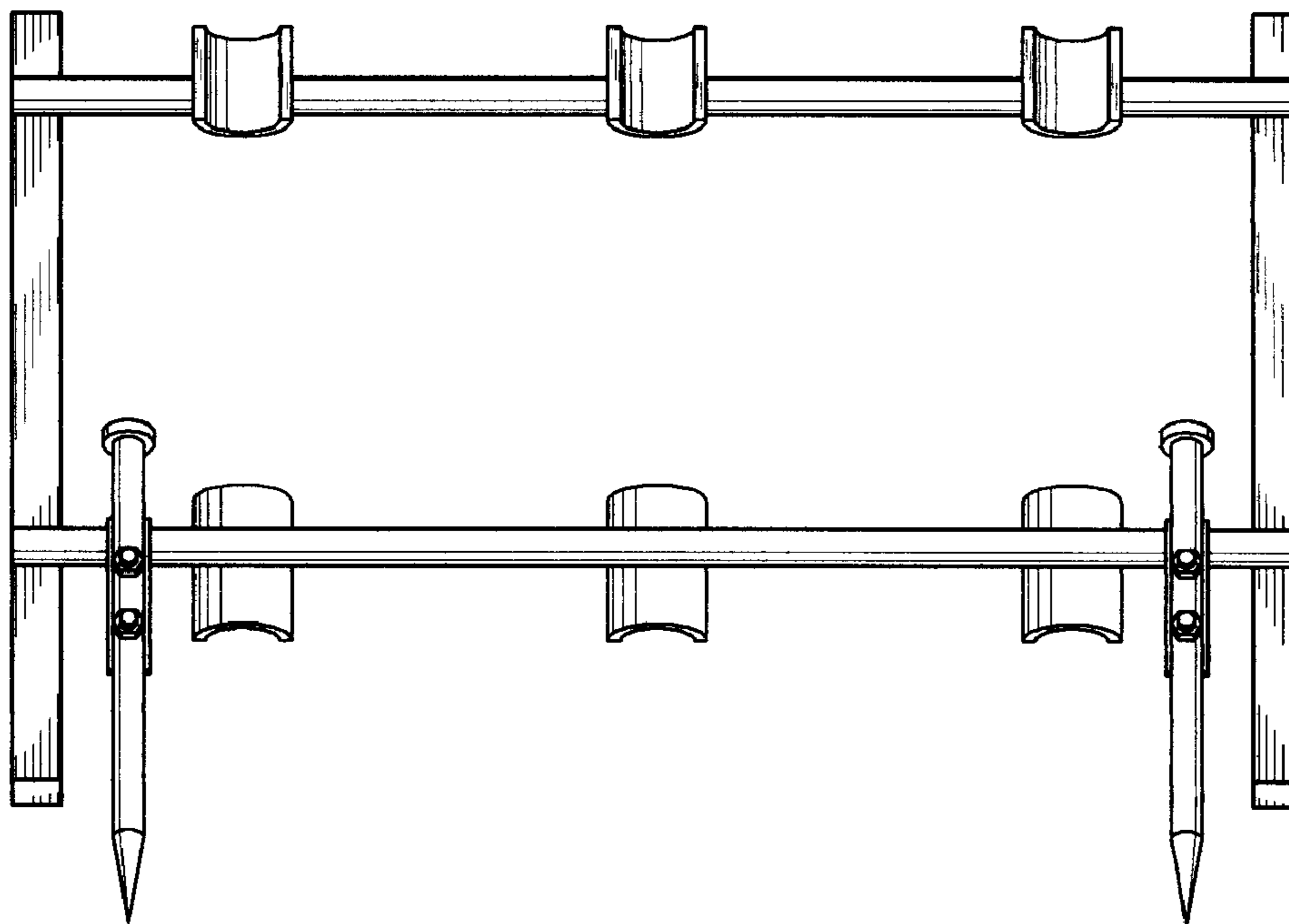
FIG. 6 is a top left isometric view of a fishing device showing my new design.

(56) **References Cited**

U.S. PATENT DOCUMENTS

4,479,322 A * 10/1984 Koppel 43/21.2
D334,811 S * 4/1993 Parks et al. D22/147 X
5,533,295 A * 7/1996 Hochberger 43/21.2

1 Claim, 3 Drawing Sheets



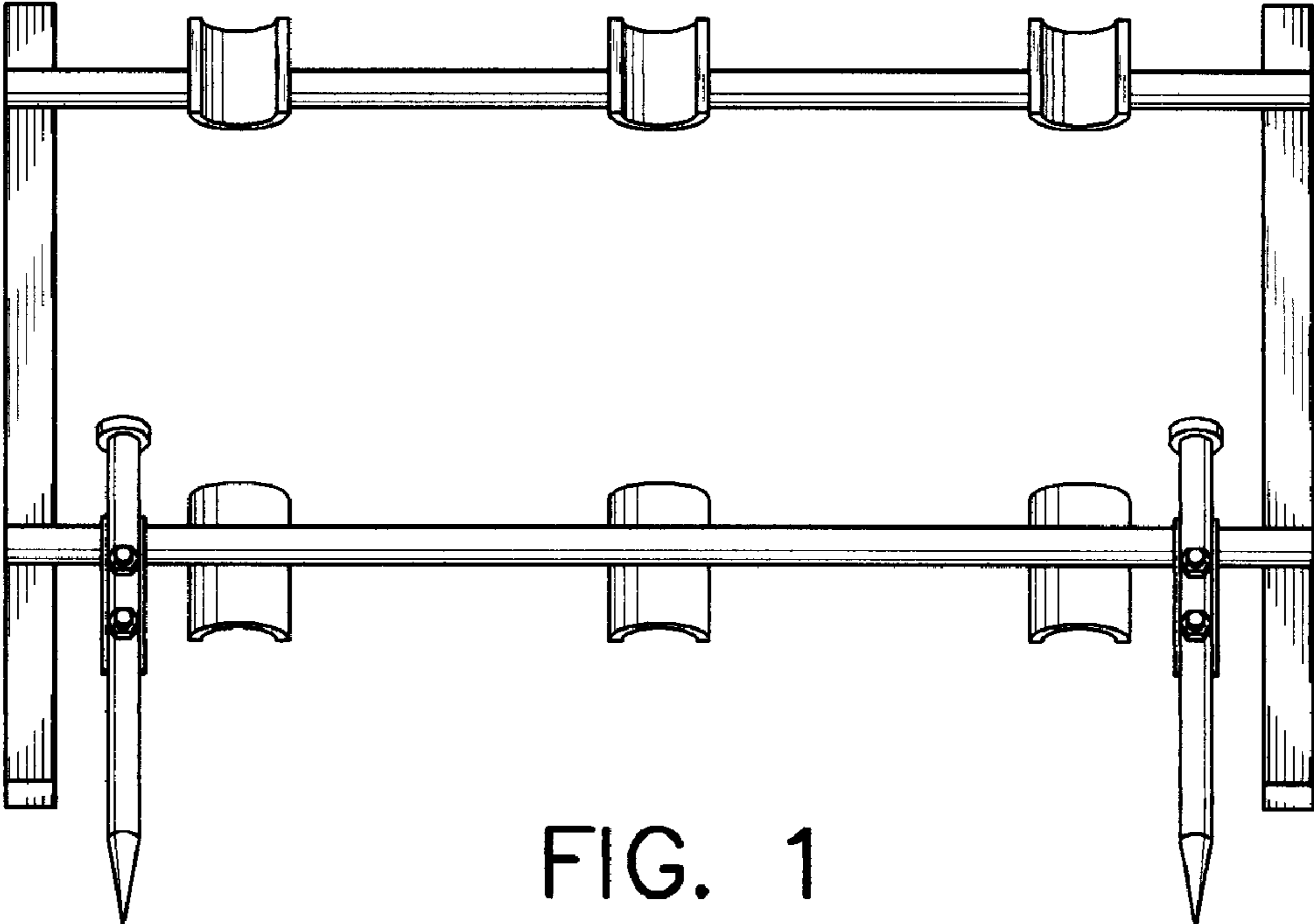


FIG. 1

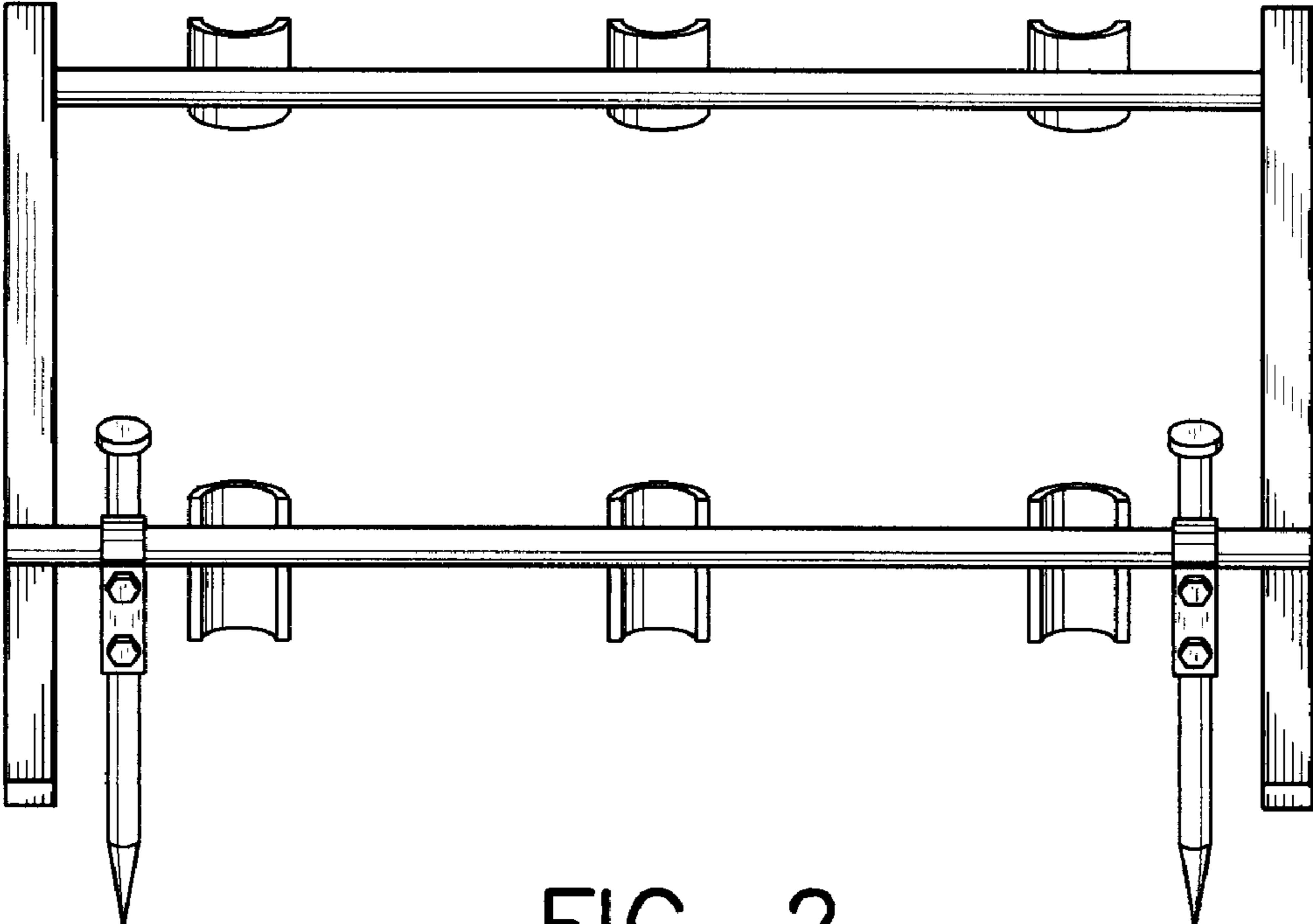


FIG. 2

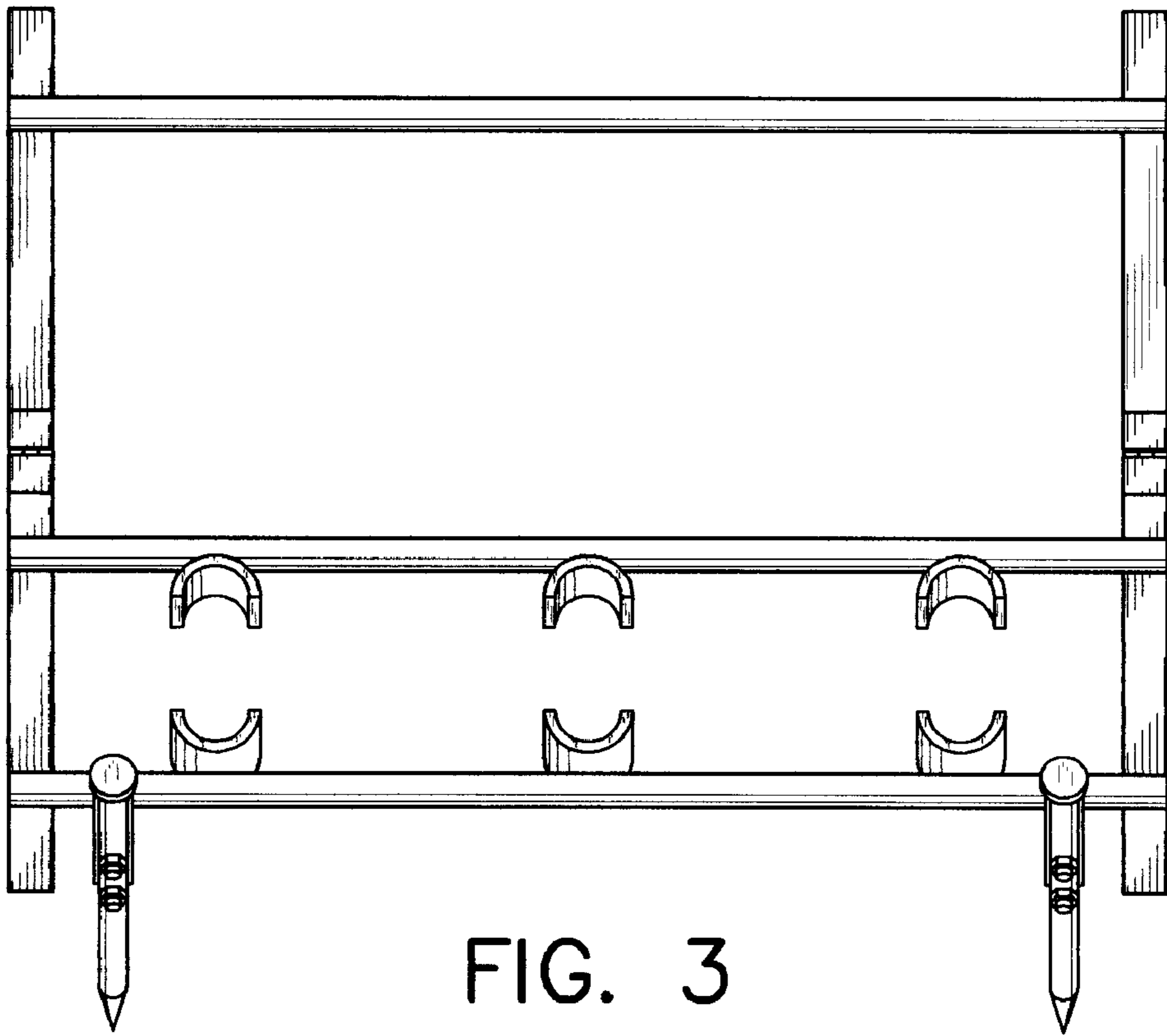


FIG. 3

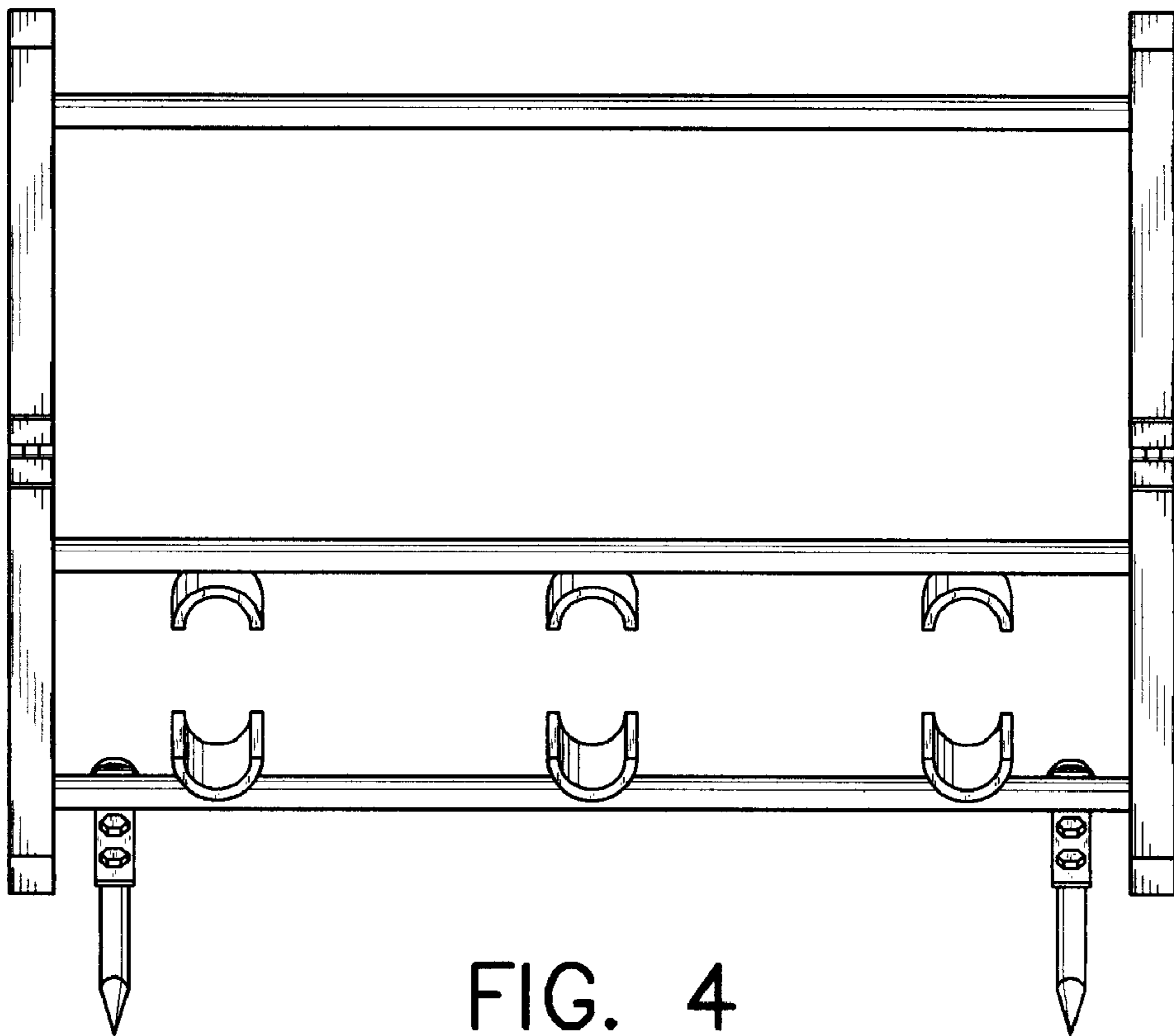


FIG. 4

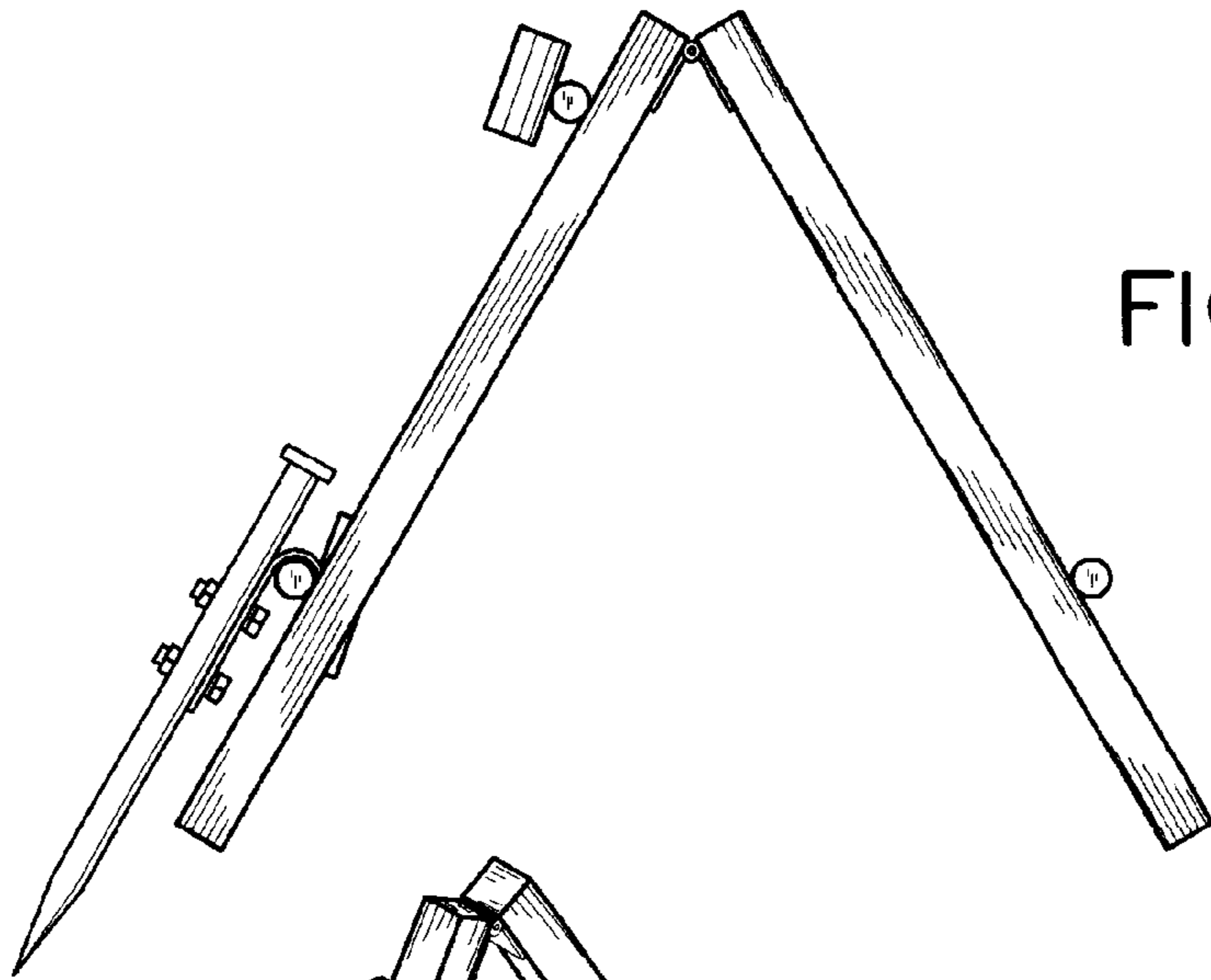


FIG. 5

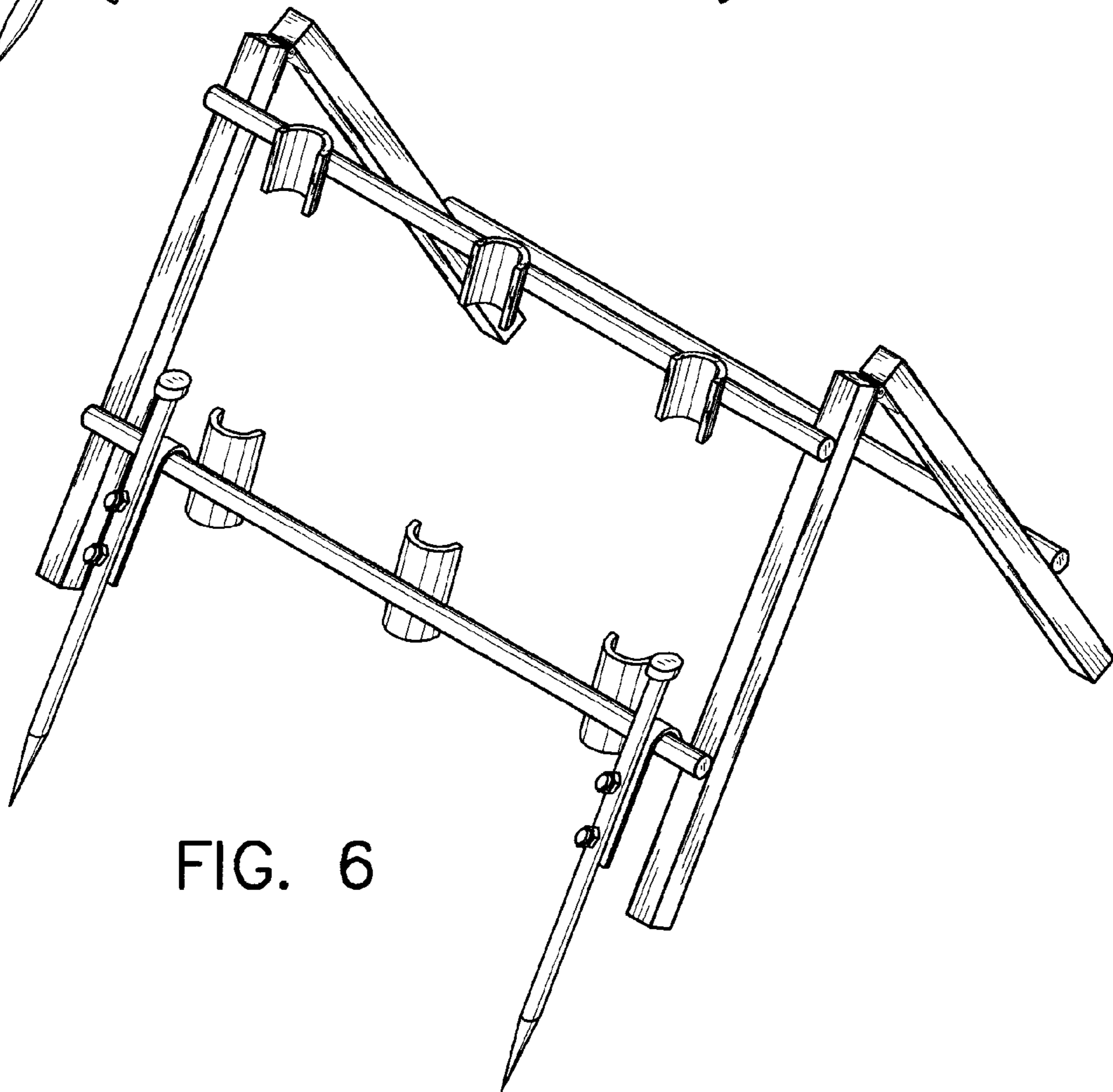


FIG. 6