



US00D535346S

(12) **United States Design Patent**  
**Gibson**

(10) **Patent No.:** **US D535,346 S**  
(45) **Date of Patent:** **\*\* Jan. 16, 2007**

(54) **GOLF BALL MARKER APPARATUS**

(76) **Inventor:** **Terese Gibson**, 353 County Rd., #5,  
Ridgway, CO (US) 81432

(\*\*) **Term:** **14 Years**

(21) **Appl. No.:** **29/212,236**

(22) **Filed:** **Aug. 30, 2004**

(51) **LOC (8) Cl.** ..... **21-02**

(52) **U.S. Cl.** ..... **D21/794**

(58) **Field of Classification Search** ..... D21/789,  
D21/793, 794; D3/221, 224; 224/191; 473/285,  
473/406

See application file for complete search history.

(56) **References Cited**

**U.S. PATENT DOCUMENTS**

2,662,677	A	*	12/1953	Perry	.....	224/191
3,556,364	A	*	1/1971	Maretka	.....	224/191
6,547,682	B1		4/2003	Goodwin		
6,578,746	B1		6/2003	Greves		

\* cited by examiner

*Primary Examiner*—Mitchell Siegel

(74) *Attorney, Agent, or Firm*—Crossley Patent Law; Mark  
A. Crossley

(57) **CLAIM**

The ornamental design for a golf ball marker apparatus, as shown and described.

**DESCRIPTION**

FIG. 1 is a front elevation view of my invention in a semi-closed state, with the golf ball marker removed for clarity, showing my new design;

FIG. 2 is a top view of my invention attached to a golfer's shoe lace;

FIG. 3 is a top view of my invention in a closed position;

FIG. 4 is a left side view of FIG. 3;

FIG. 5 is a front view of FIG. 3;

FIG. 6 is a right side isometric view of my golf ball marker apparatus in a closed position;

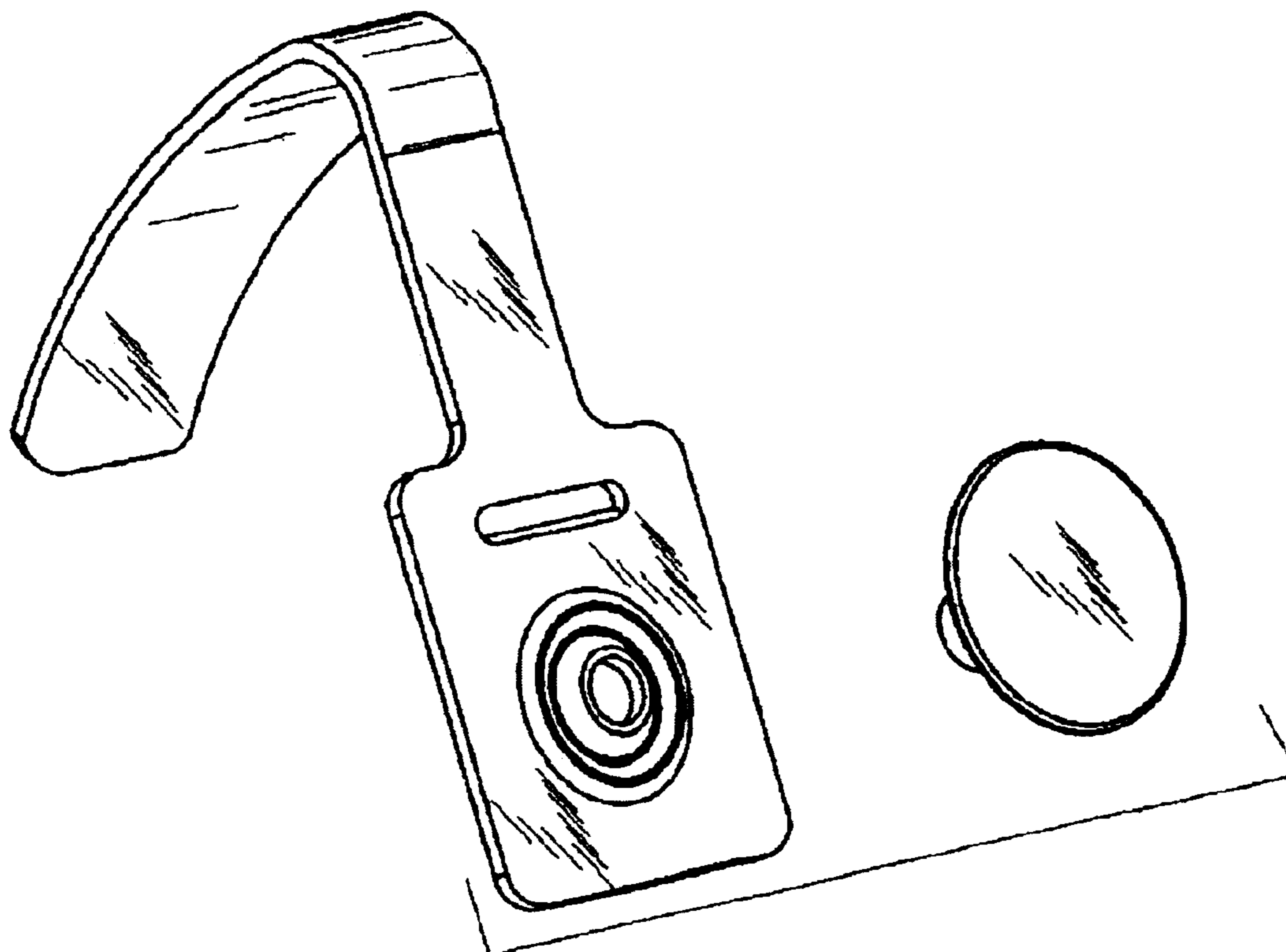
FIG. 7 is front elevation view of my golf ball marker apparatus in an open position showing my new design;

FIG. 8 is a right side isometric view of my golf ball marker apparatus in an alternative closed position; and,

FIG. 9 is a right side isometric view of my golf ball marker apparatus attached to a golfer's shoe lace.

The dash lines showing a golfer's shoe and laces is only for showing the surrounding environment and is not a part of the claimed design.

**1 Claim, 3 Drawing Sheets**



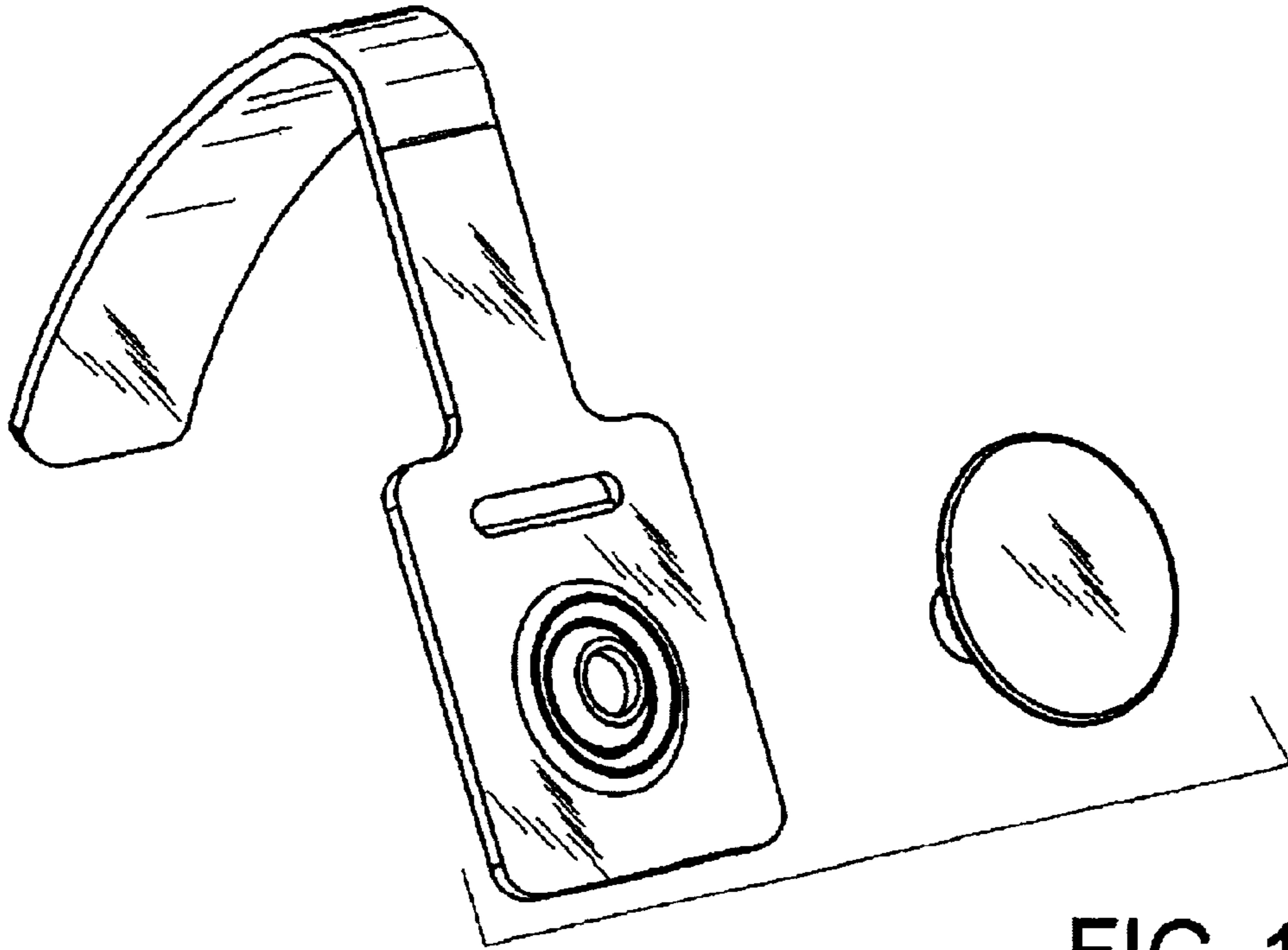


FIG. 1

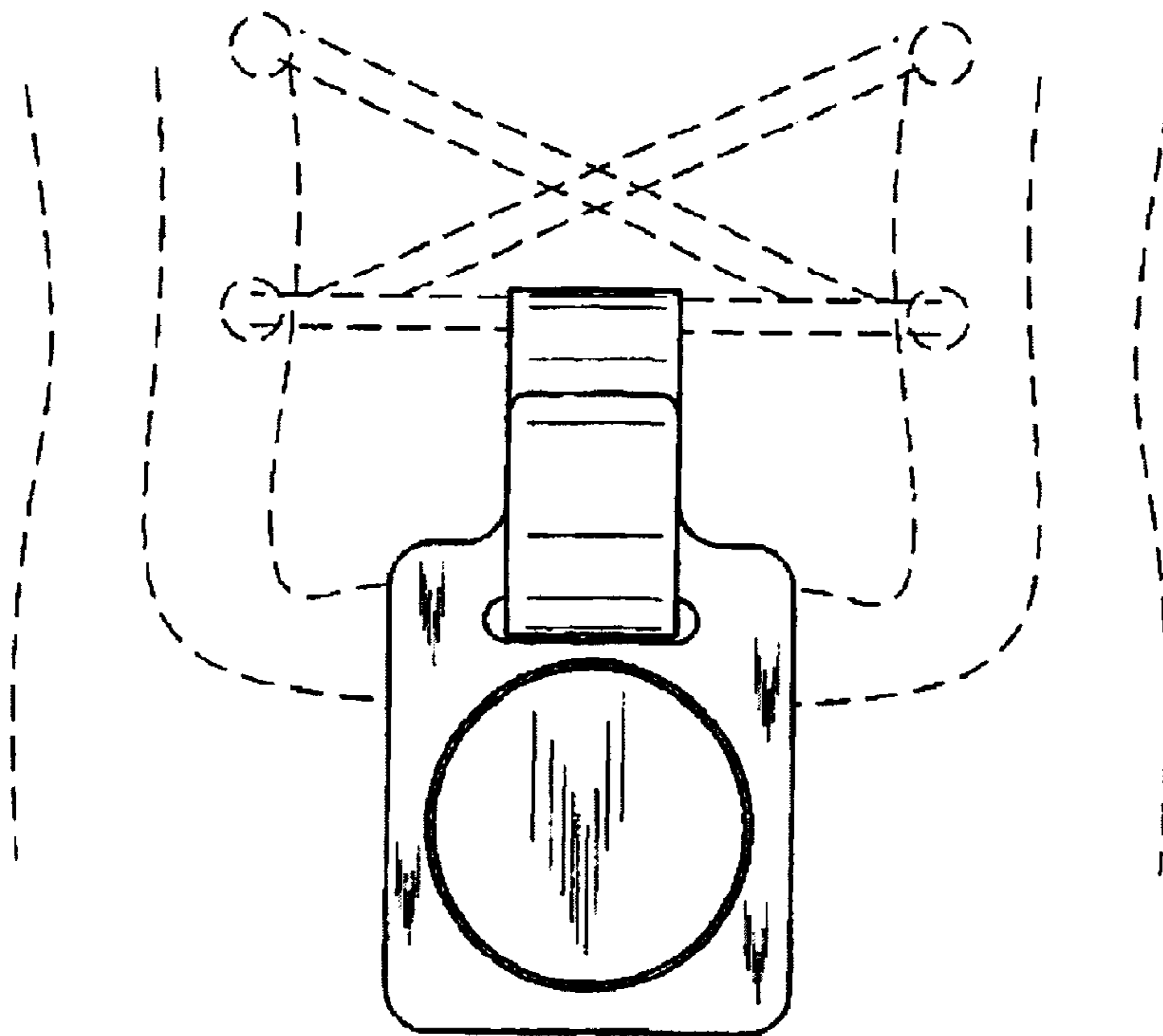


FIG. 2

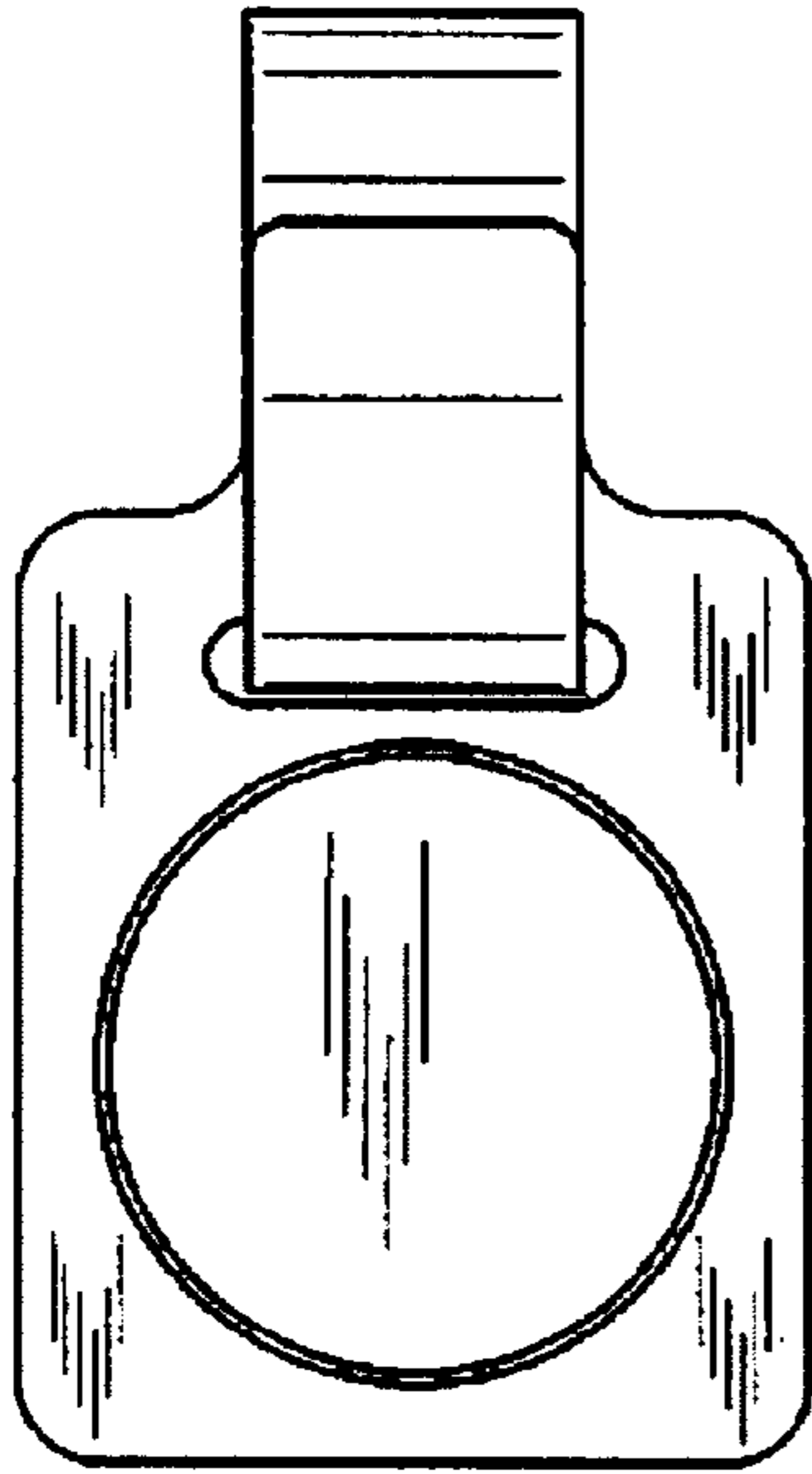


FIG. 3

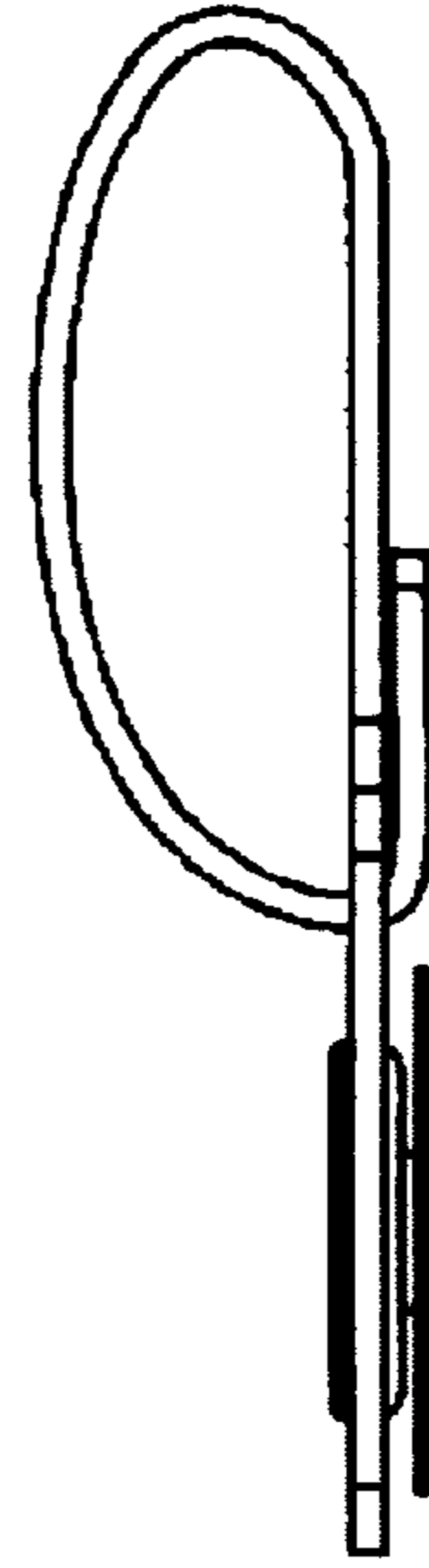


FIG. 4

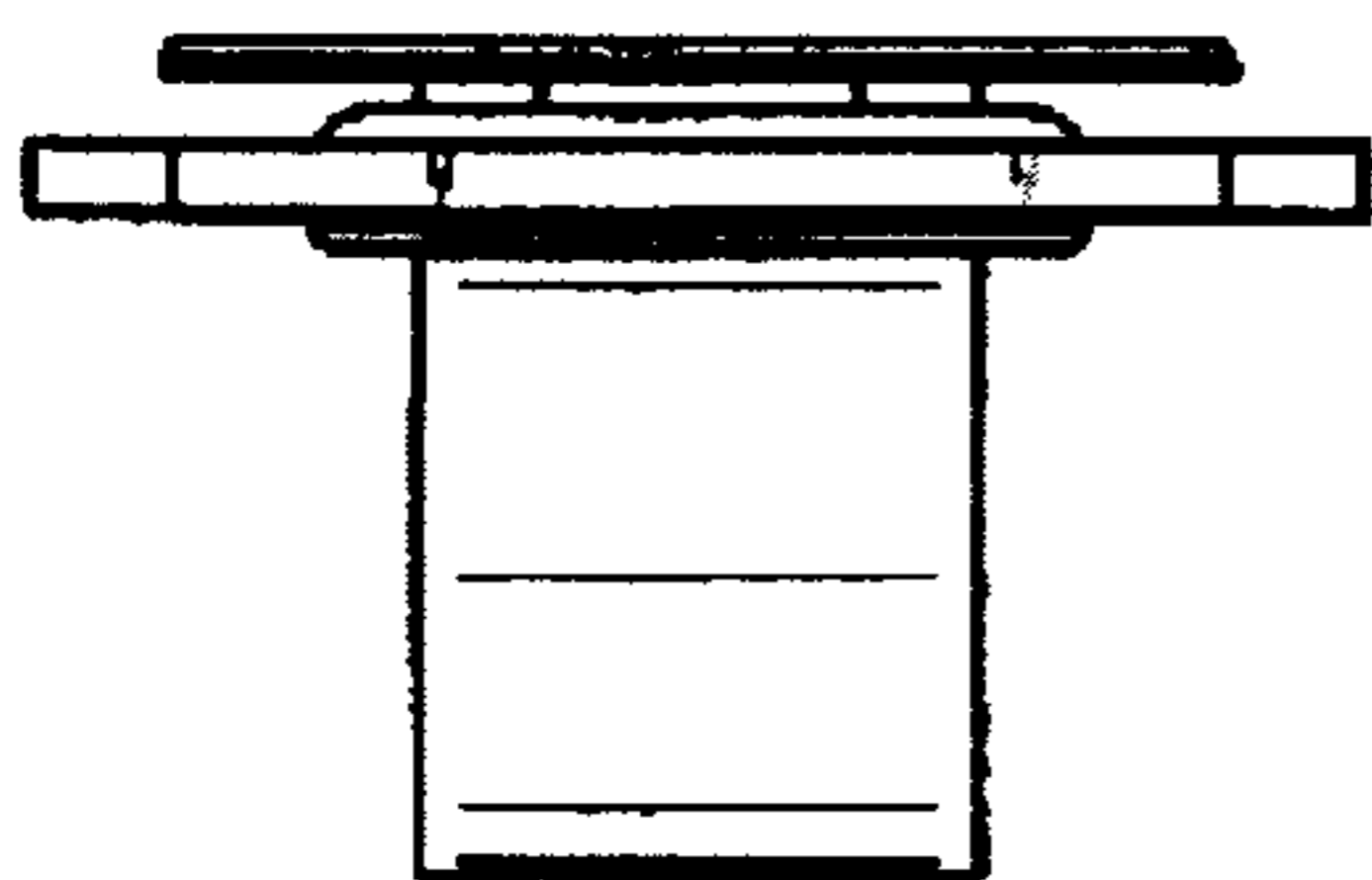


FIG. 5

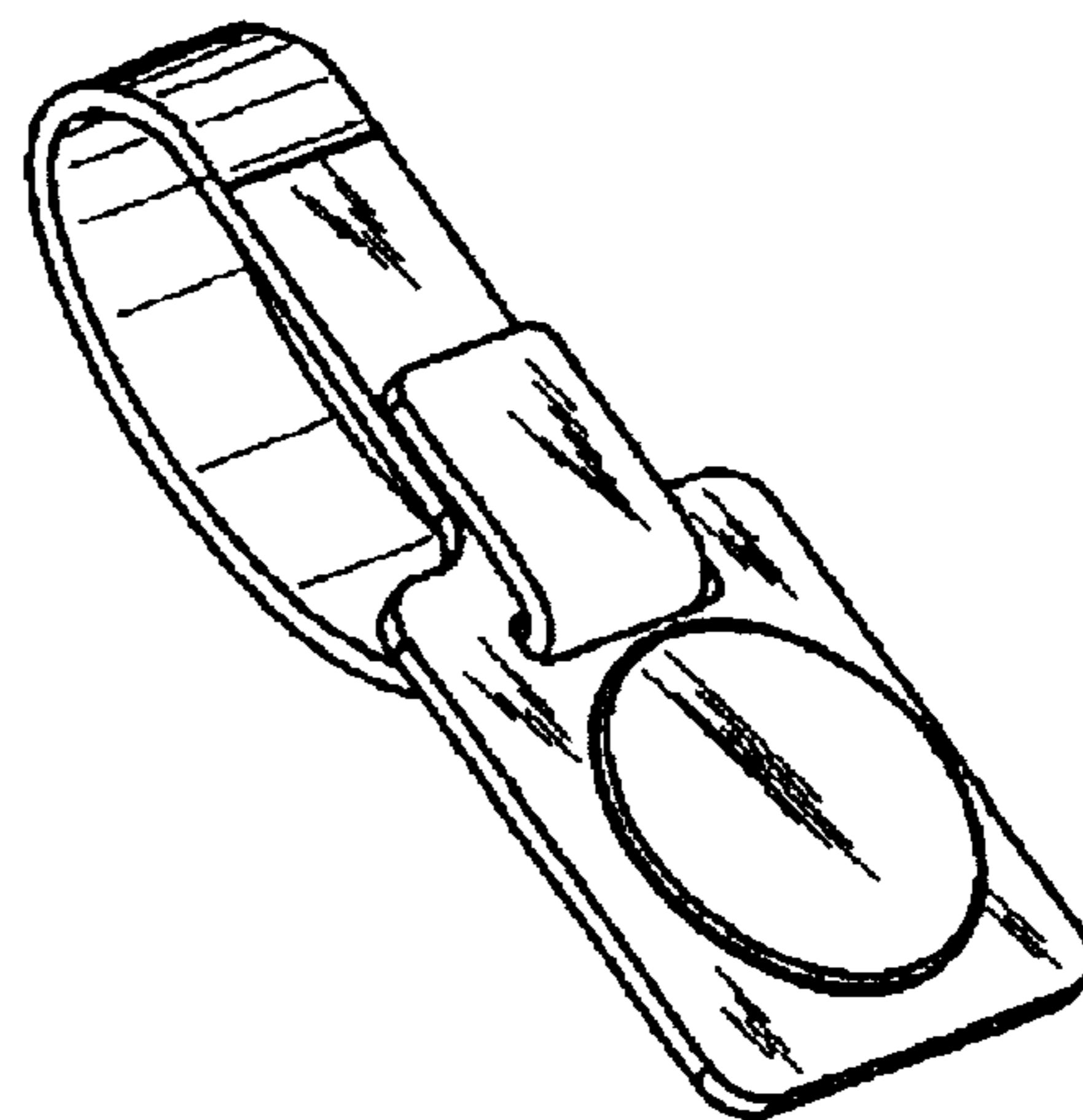


FIG. 6

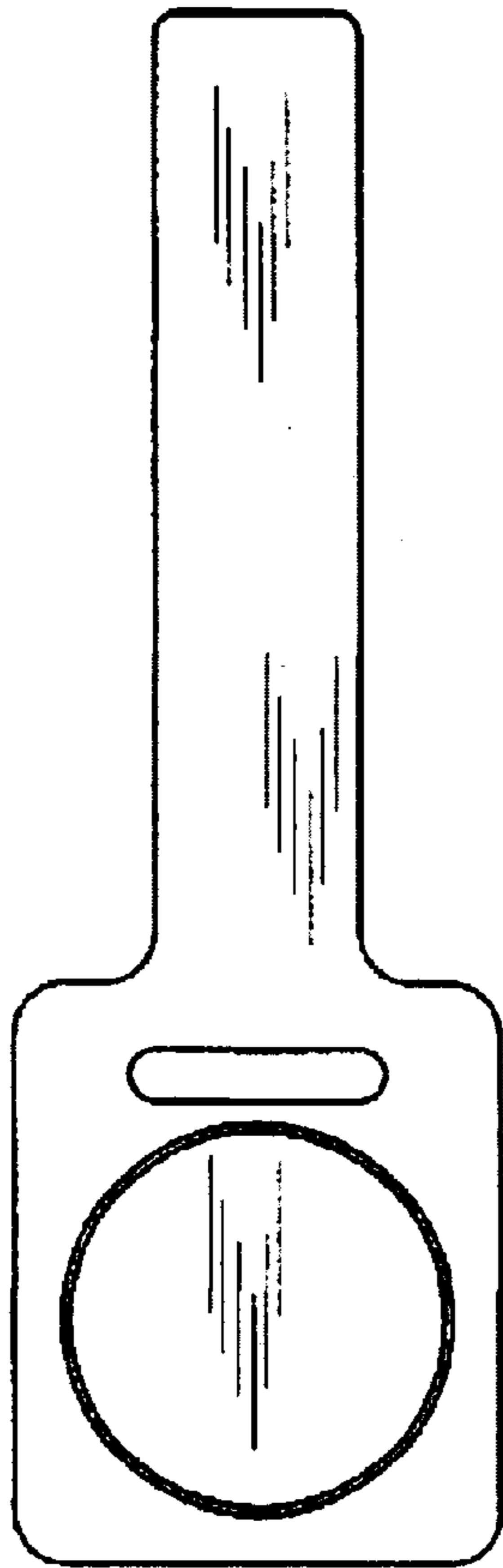


FIG. 7

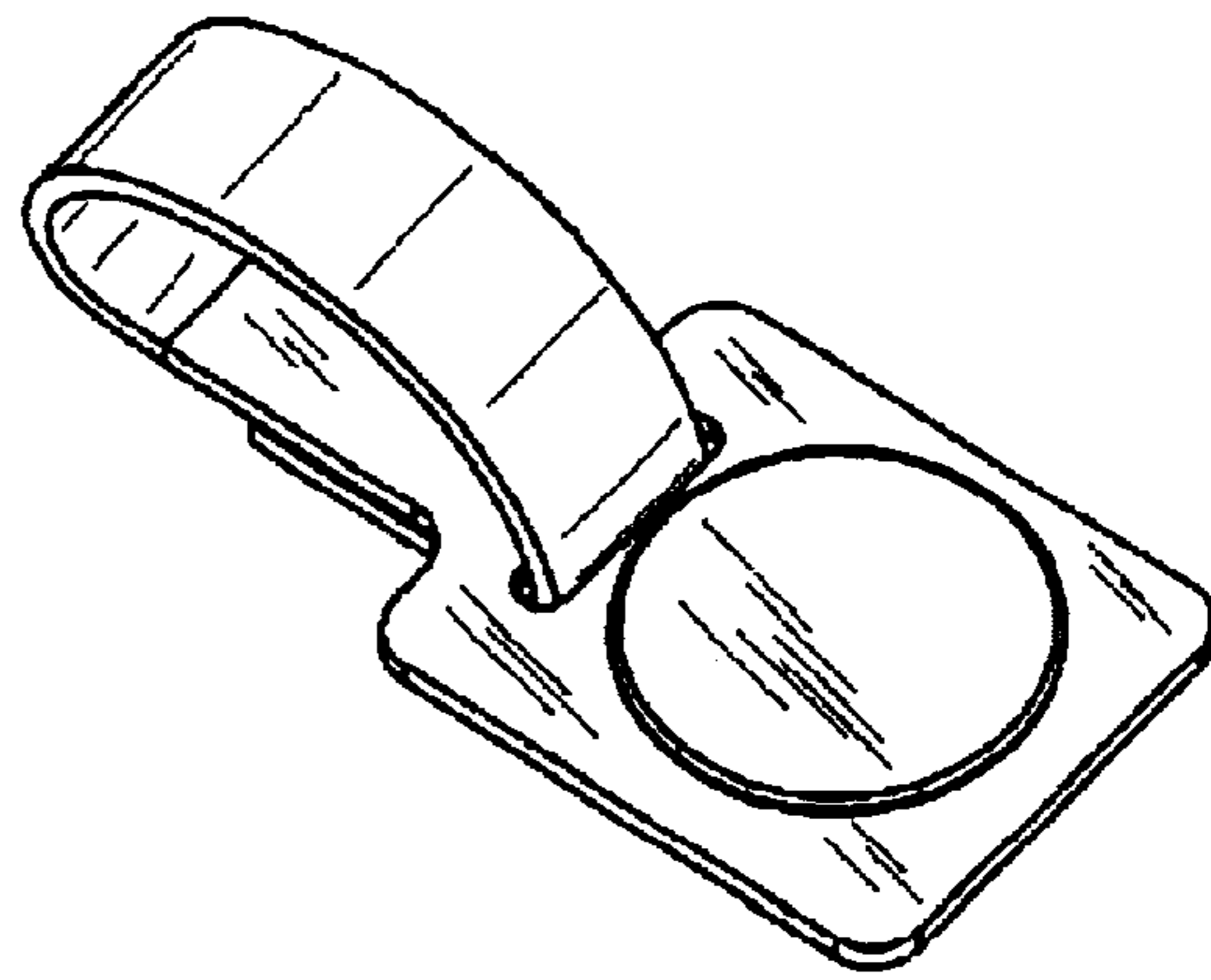


FIG. 8

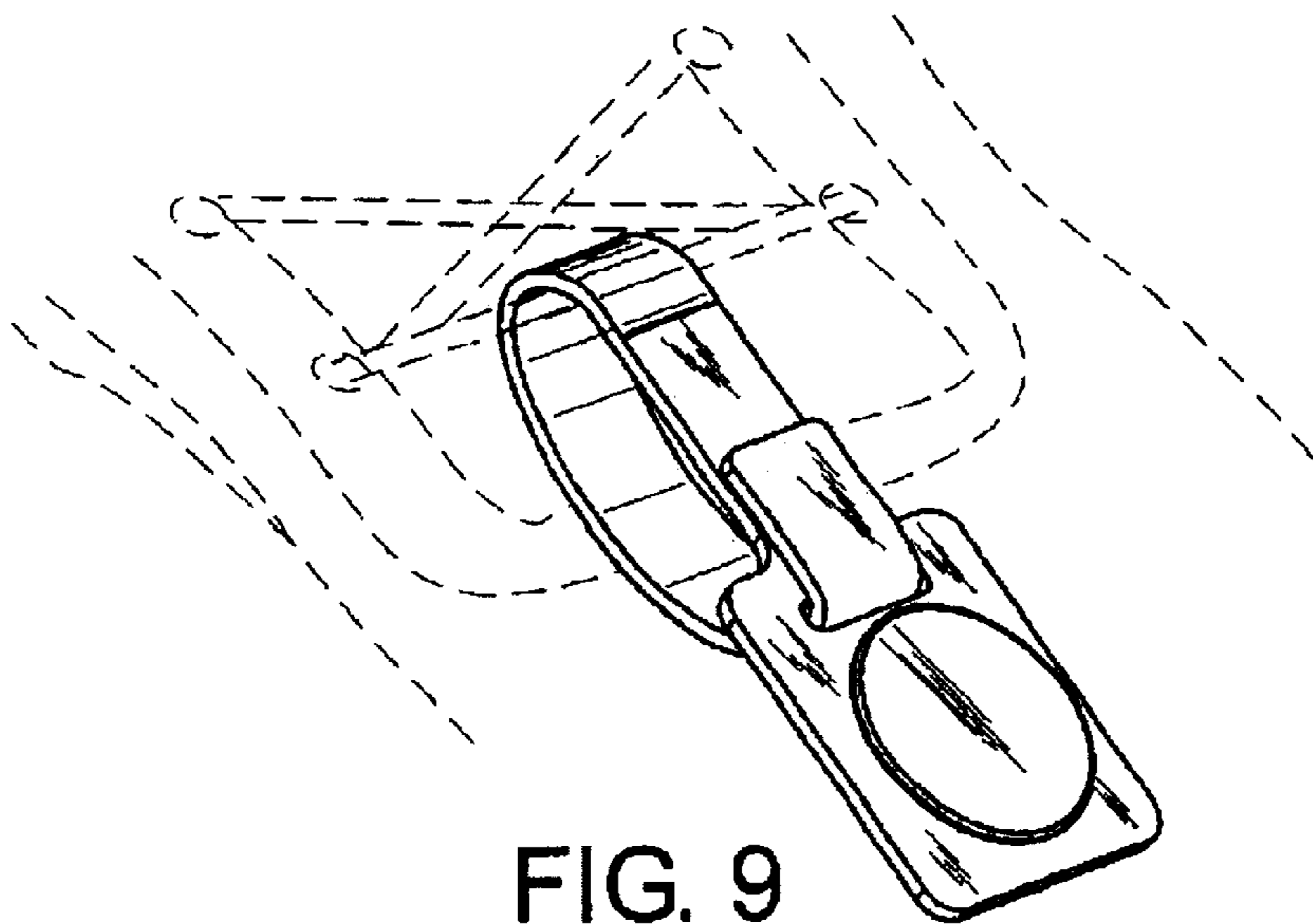


FIG. 9