



US00D535338S

(12) **United States Design Patent**  
**Linard et al.**

(10) **Patent No.:** **US D535,338 S**

(45) **Date of Patent:** **\*\* Jan. 16, 2007**

(54) **GAMING MACHINE**

(75) Inventors: **Sylvie Linard**, London (GB); **Graham Trevor Cook**, Harlow (GB)

(73) Assignee: **Cyberscan Technology, Inc.**, Palo Alto, CA (US)

(\*\*) Term: **14 Years**

(21) Appl. No.: **29/233,830**

(22) Filed: **Jul. 8, 2005**

(51) **LOC (8) Cl.** ..... **21-03**

(52) **U.S. Cl.** ..... **D21/369**

(58) **Field of Classification Search** ..... D21/325,  
D21/329, 369-371, 374, 385; 273/138.1;  
463/16-17, 20, 25, 42, 46-47

See application file for complete search history.

(56) **References Cited**

**U.S. PATENT DOCUMENTS**

- D463,504 S \* 9/2002 Stephan ..... D21/369
- D508,268 S \* 8/2005 Hanchar et al. .... D21/369
- D508,719 S \* 8/2005 de Haas ..... D21/369

D508,961 S \* 8/2005 Gatto et al. .... D21/369  
2004/0266509 A1 \* 12/2004 Bennett et al. .... 463/16

\* cited by examiner

*Primary Examiner*—Sandra L. Morris

(74) *Attorney, Agent, or Firm*—Young Law Firm, P.C.

(57) **CLAIM**

The ornamental design for a gaming machine, as shown.

**DESCRIPTION**

FIG. 1 is a front view of a gaming machine according to the present invention.

FIG. 2 is a top view of the gaming machine of FIG. 1.

FIG. 3 is a left side view of the gaming machine of FIG. 1.

FIG. 4 is a right side view of the gaming machine of FIG. 1.

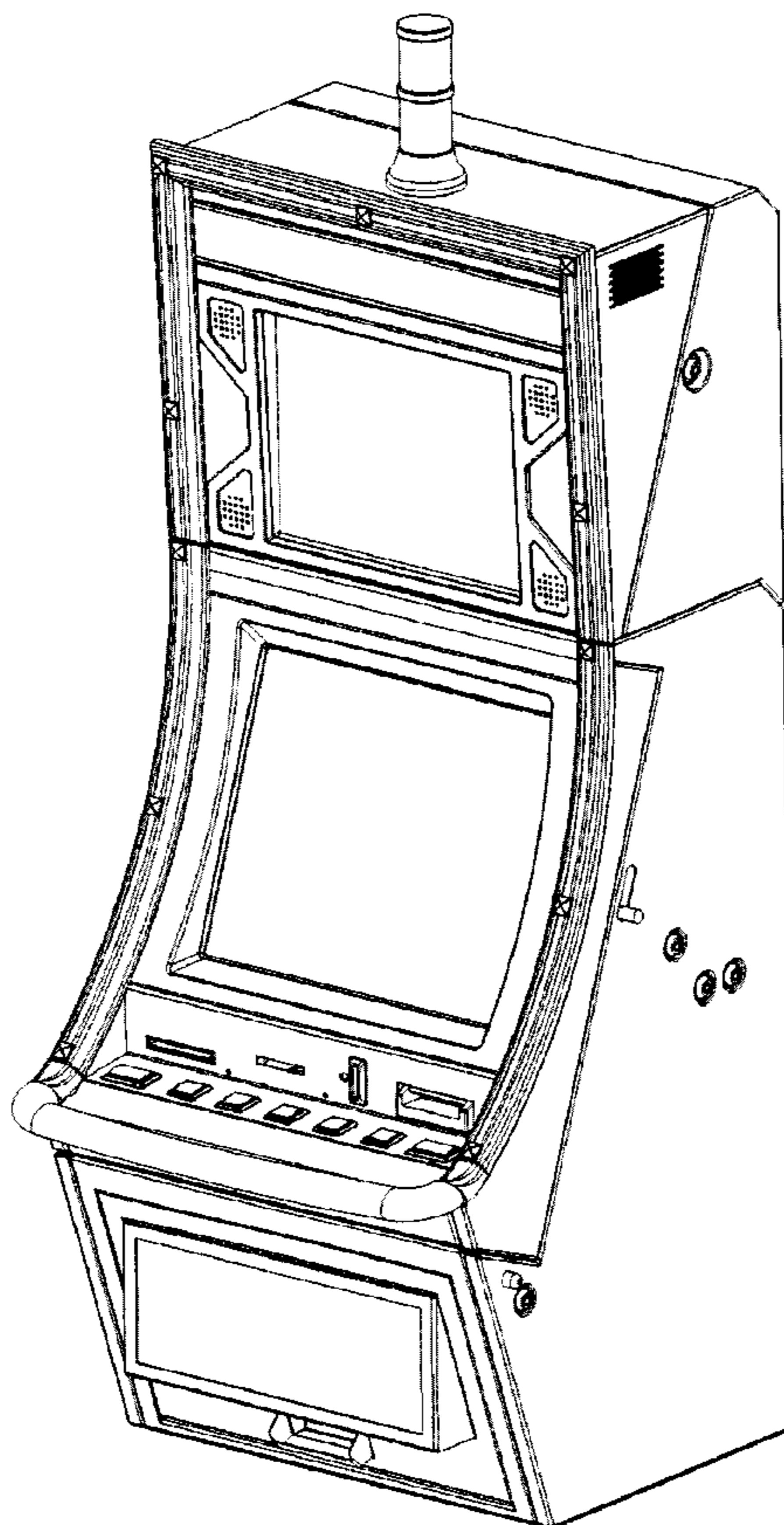
FIG. 5 is a right perspective view of the gaming machine of FIG. 1.

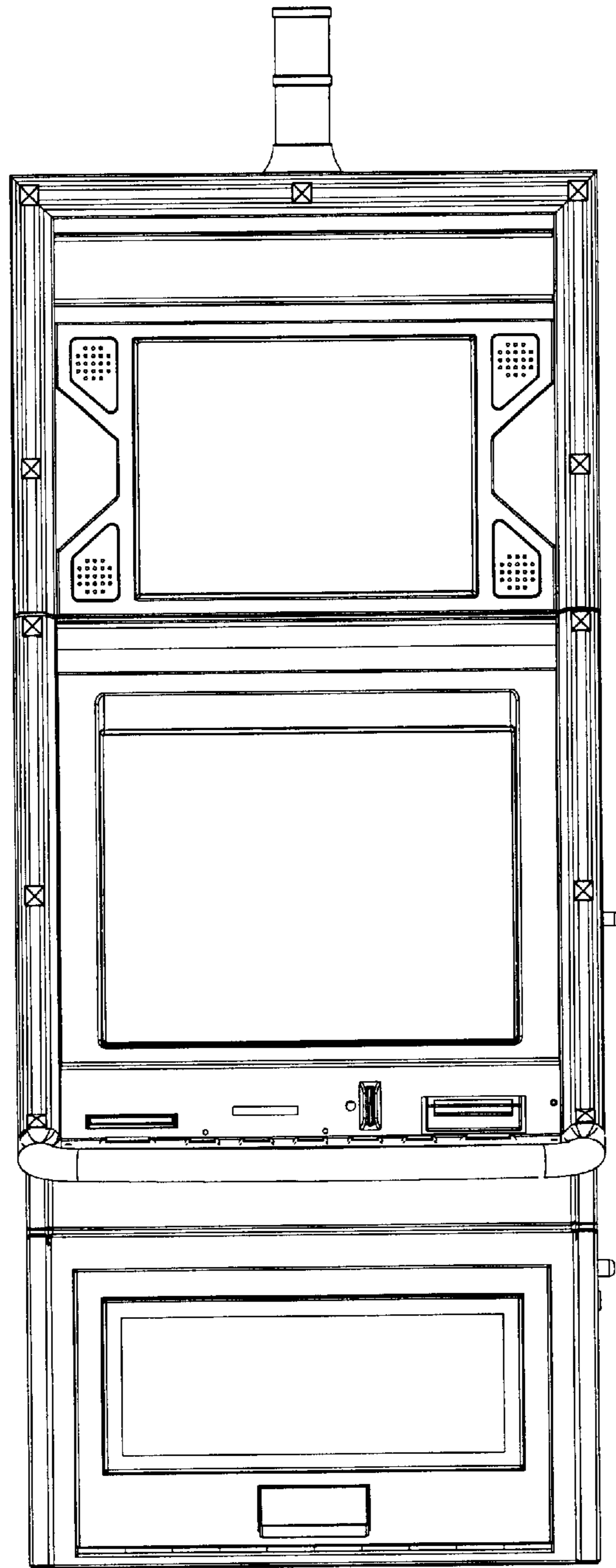
FIG. 6 is a left perspective view of the gaming machine of FIG. 1.

FIG. 7 is a bottom view of the gaming machine of FIG. 1; and,

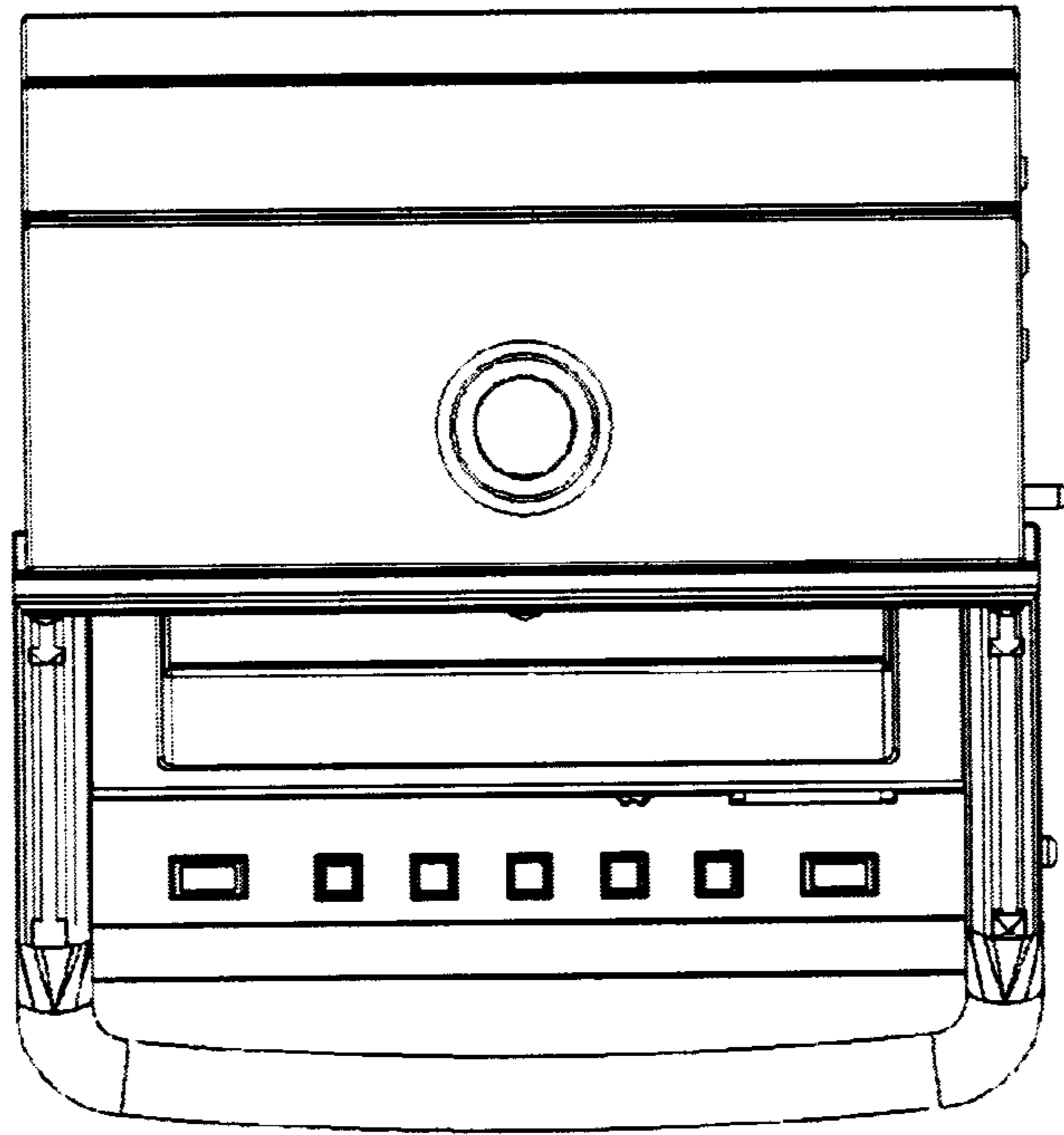
FIG. 8 is a rear view of the gaming machine of FIG. 1.

**1 Claim, 8 Drawing Sheets**

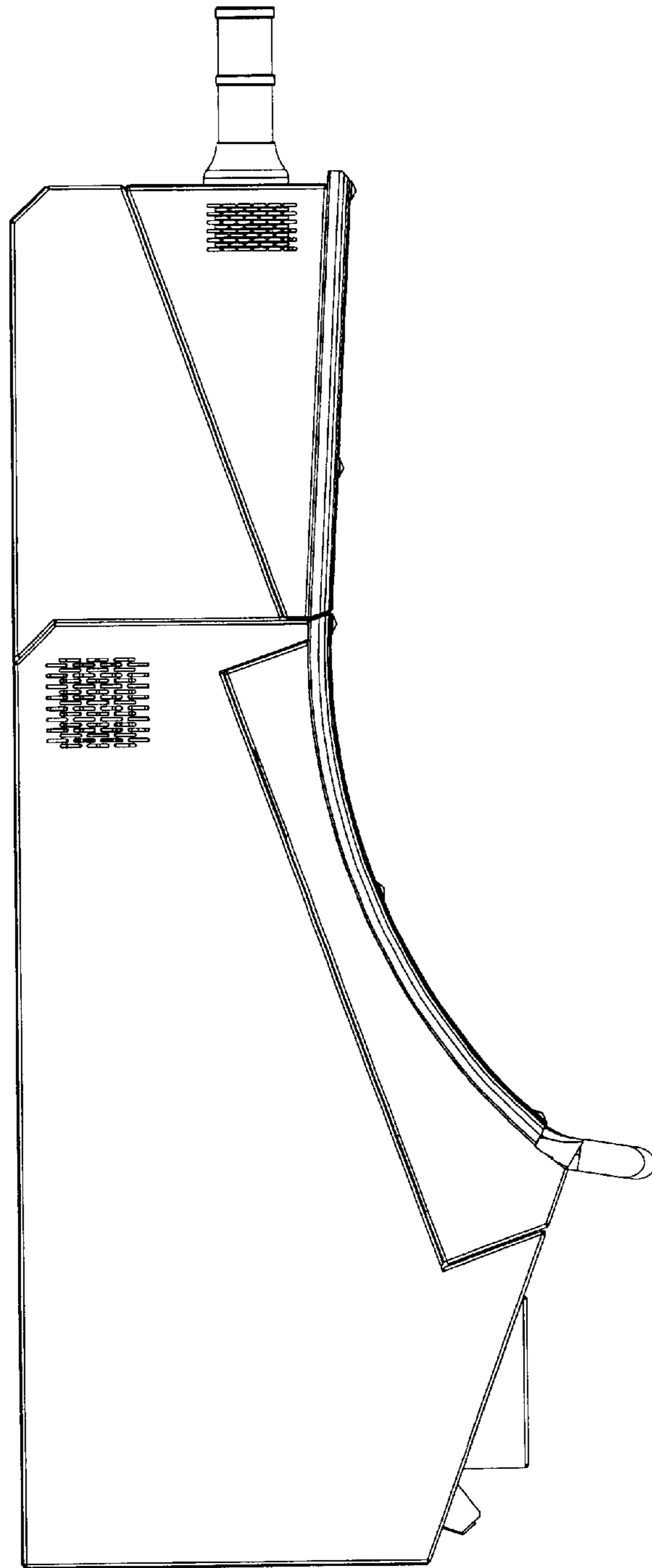




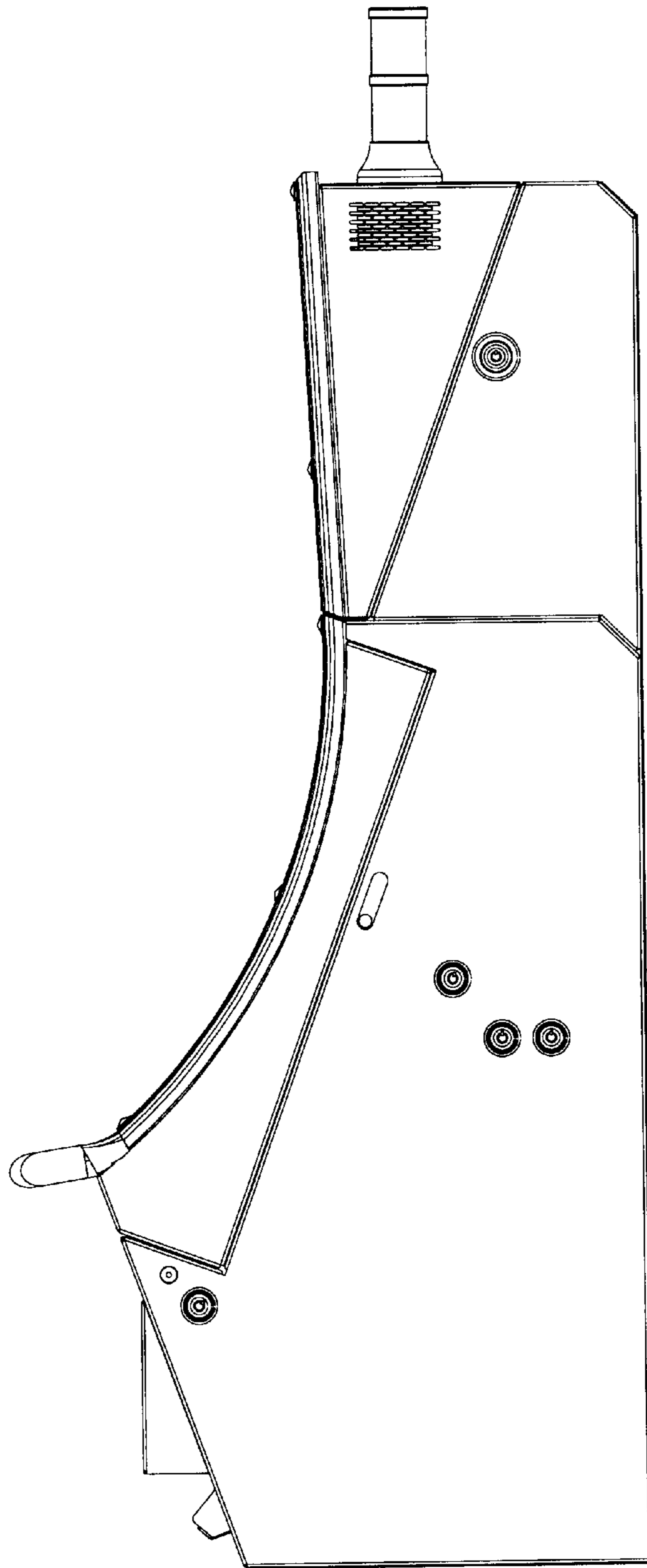
*FIG. 1*



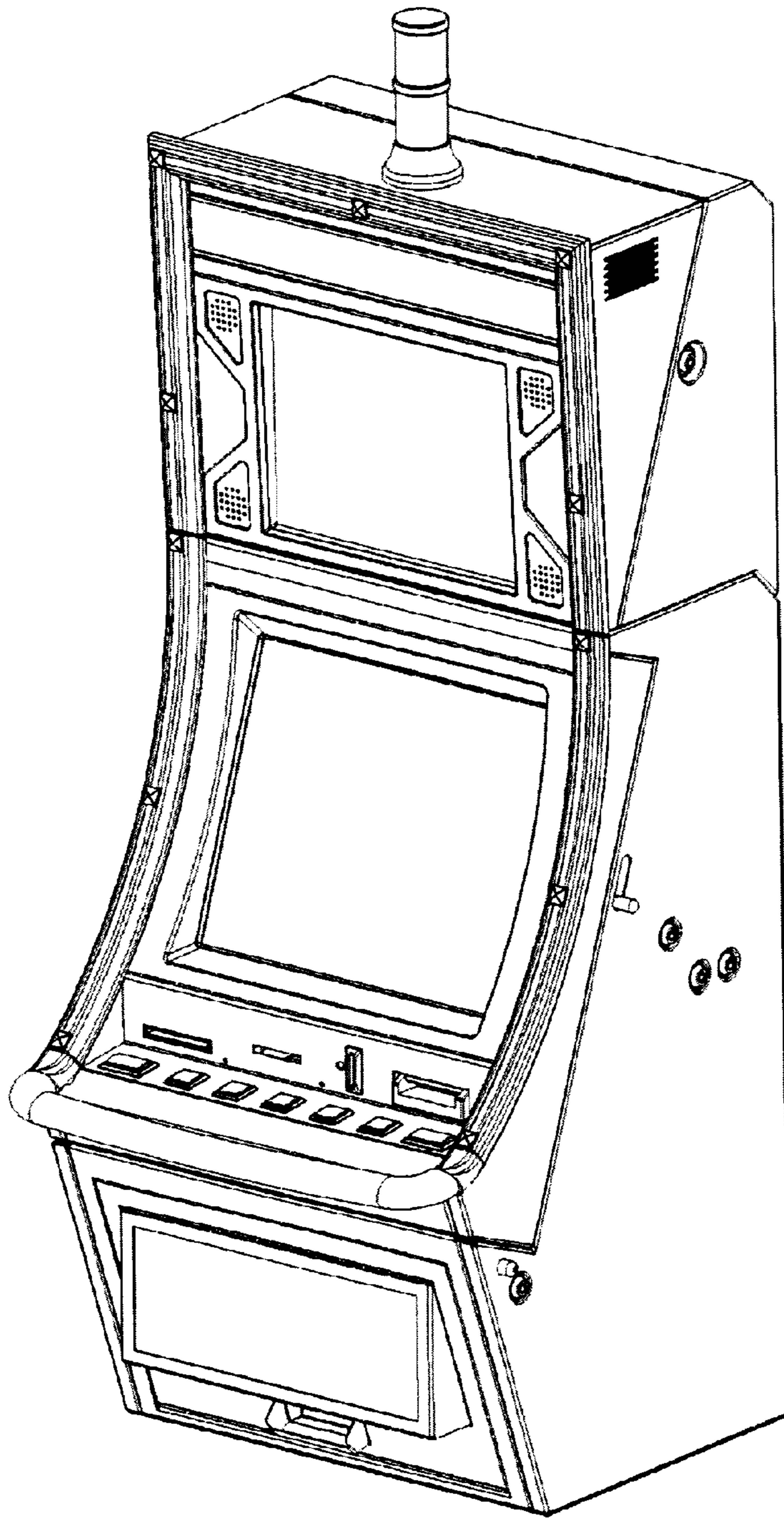
*FIG. 2*



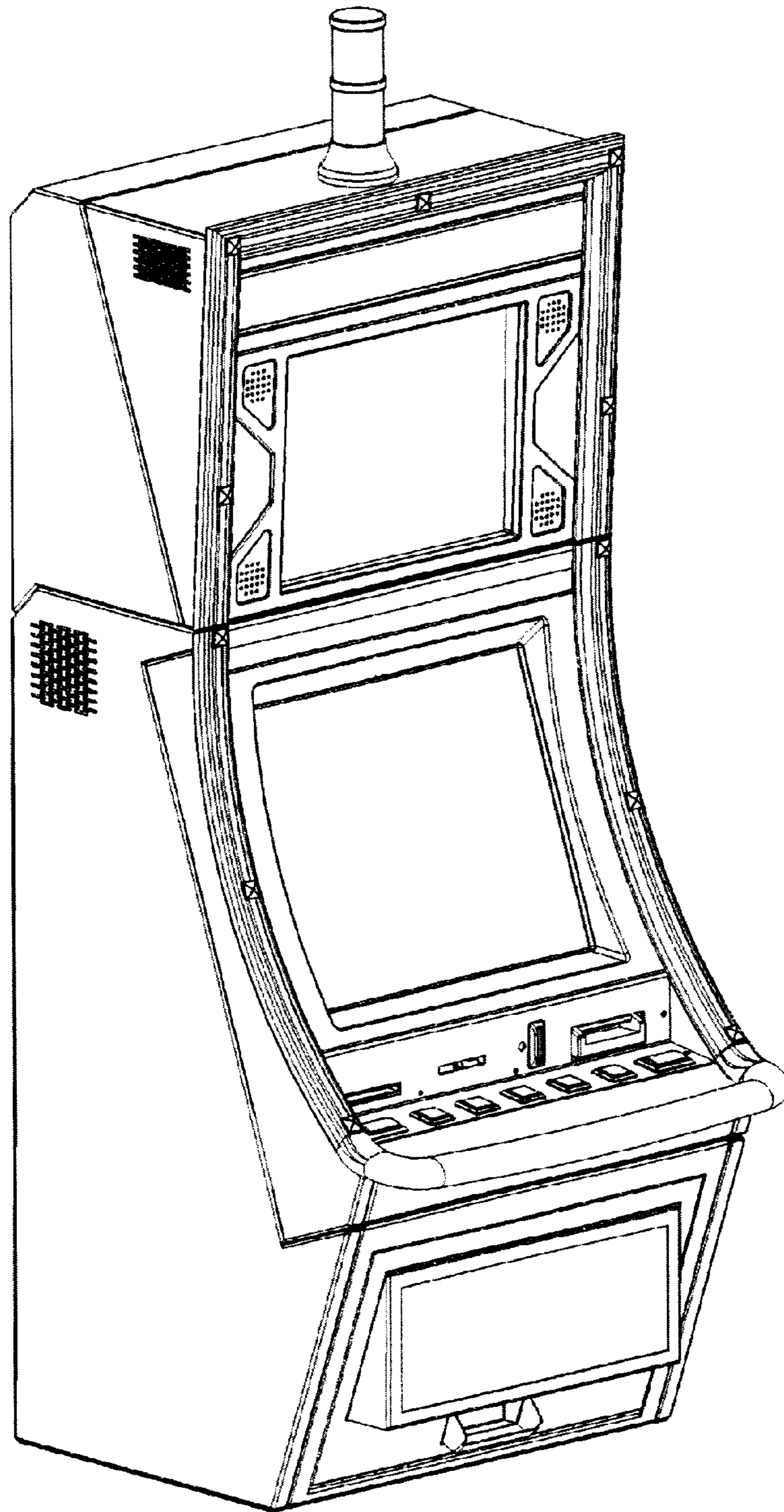
*FIG. 3*



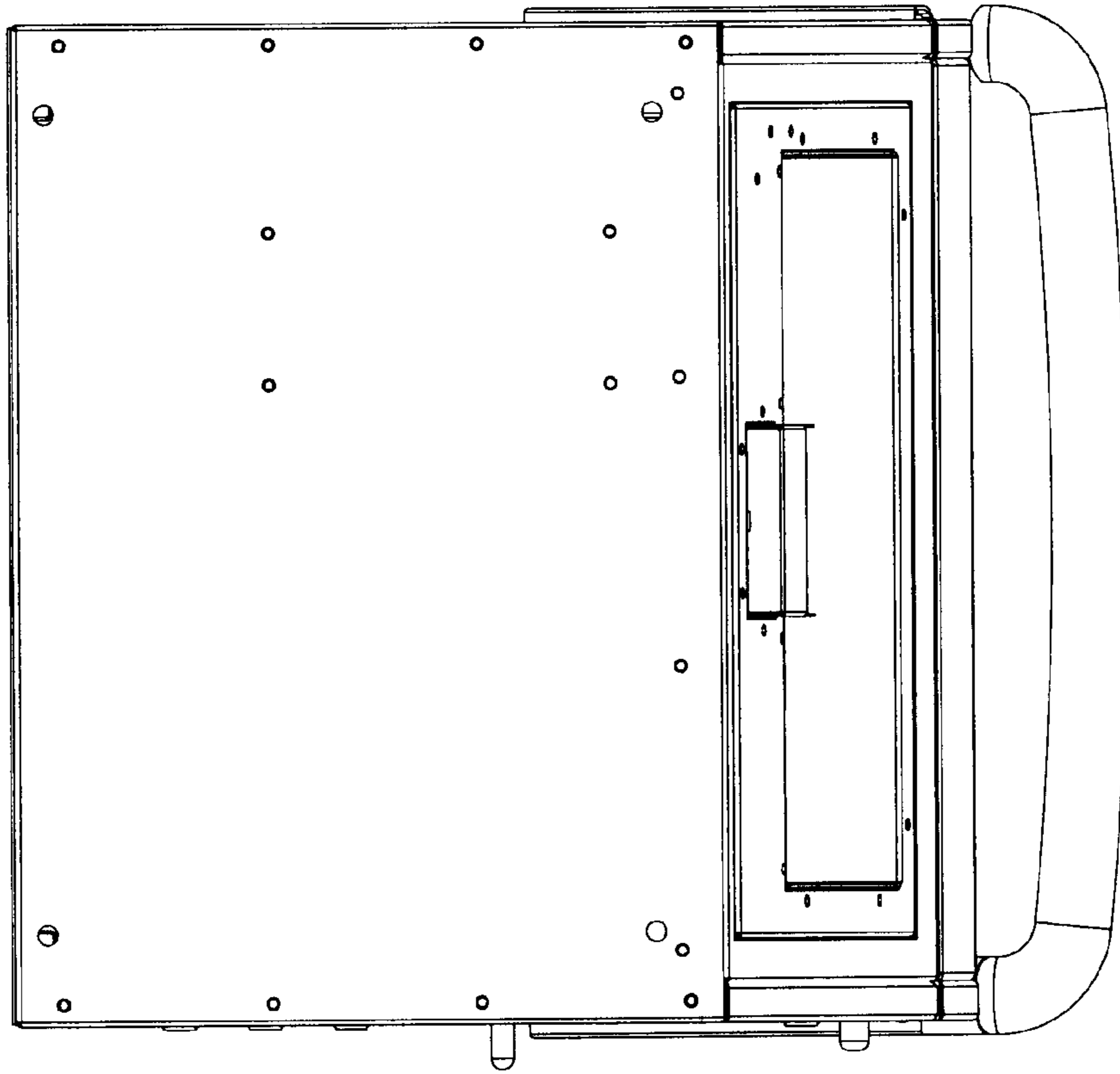
**FIG. 4**



*FIG. 5*

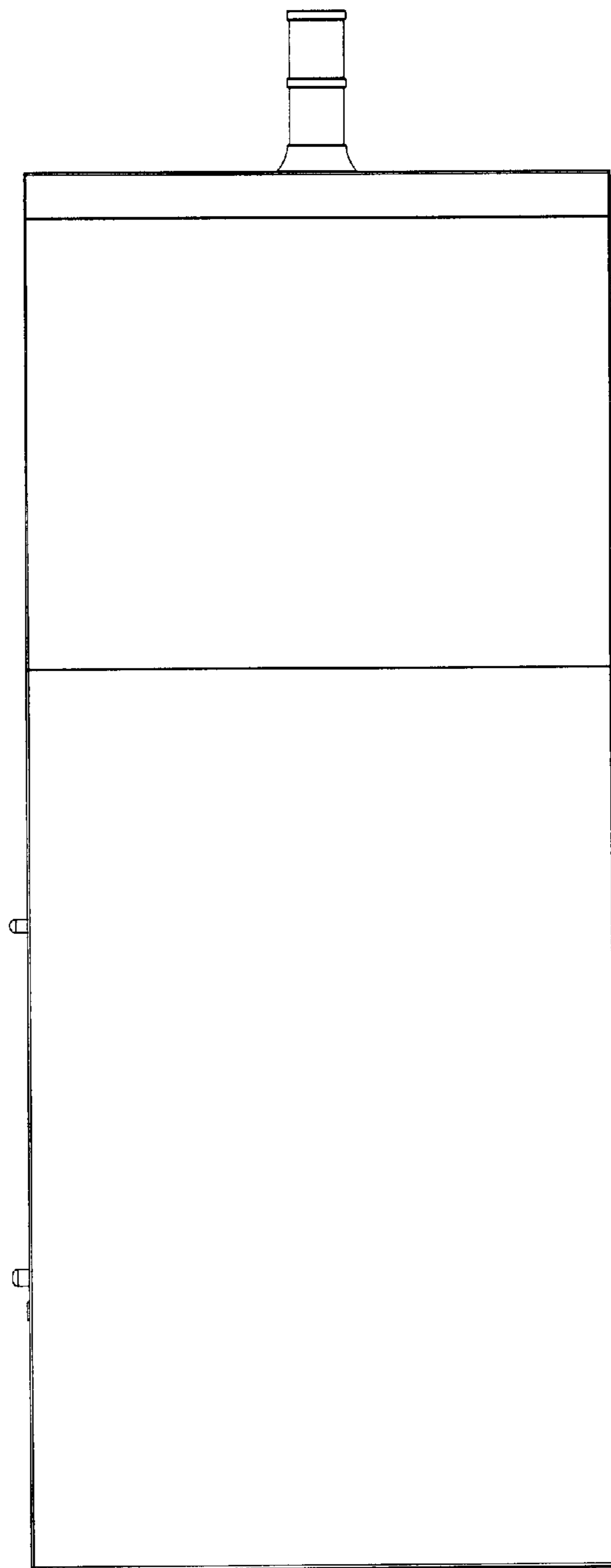


**FIG. 6**



*FIG. 7*





*FIG. 8*