



US00D535336S

(12) **United States Design Patent**  
**Diakonov et al.**

(10) **Patent No.:** **US D535,336 S**  
(45) **Date of Patent:** **\*\* Jan. 16, 2007**

(54) **EXERCISE BAR**  
(75) Inventors: **Yuri Diakonov**, Clinton Township, MI (US); **Rudolph R. Cugliari**, Mt. Clemens, MI (US); **Norbert T. Wierszewski**, Dearborn, MI (US)  
(73) Assignee: **Burn Machine, LLC**, Farmington Hills, MI (US)  
(\*\*) Term: **14 Years**

4,618,143 A	10/1986	Twardosz	272/123
4,629,184 A	12/1986	Selkee	272/123
4,690,400 A	9/1987	Metz	272/123
4,743,018 A	5/1988	Eckler	272/123
4,822,035 A	4/1989	Jennings	272/123
D303,697 S	9/1989	Pearson	D21/682
RE33,218 E	5/1990	Twardosz	272/123
5,080,349 A	1/1992	Vittone	482/106
D328,112 S	7/1992	Maddix et al.	D21/694
5,211,616 A	5/1993	Riley, Jr.	482/106
5,334,113 A	8/1994	Roepke	482/106
6,022,300 A	2/2000	Hightower	482/106
6,450,928 B1	9/2002	Larkins, Jr.	482/110

(21) Appl. No.: **29/244,083**

(22) Filed: **Dec. 5, 2005**

*Primary Examiner*—Philip S. Hyder

(74) *Attorney, Agent, or Firm*—Gifford, Krass, Groh, Sprinkle, Anderson & Citkowski, P.C.

**Related U.S. Application Data**

(62) Division of application No. 29/205,997, filed on May 24, 2004.

(51) **LOC (8) Cl.** ..... **21-02**

(52) **U.S. Cl.** ..... **D21/279**; D21/681; D21/682

(58) **Field of Classification Search** ..... D21/662, D21/679, 680, 682, 683, 684, 692, 681; 482/104, 482/106, 108, 109, 110, 139, 126  
See application file for complete search history.

(56) **References Cited**

**U.S. PATENT DOCUMENTS**

3,384,370 A	5/1968	Bailey et al.	482/105
4,461,473 A	7/1984	Cole	272/123

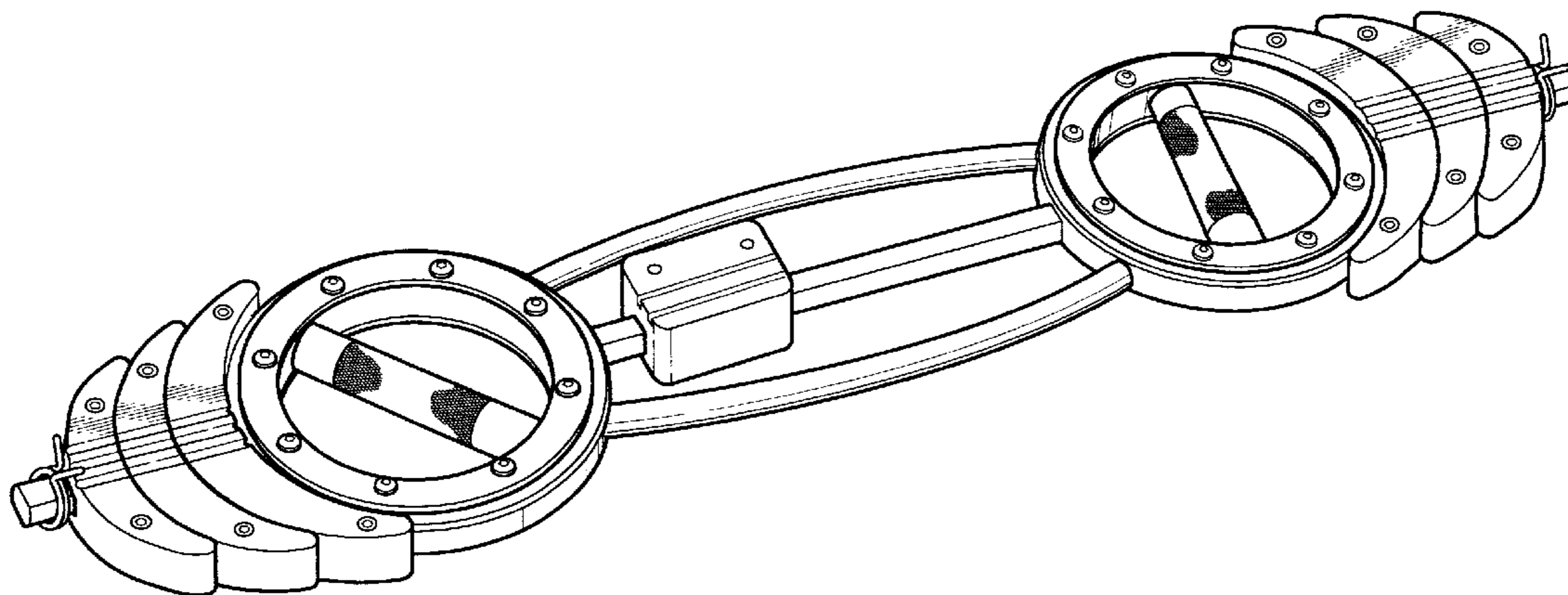
(57) **CLAIM**

We claim the ornamental design for an exercise bar, as shown and described.

**DESCRIPTION**

FIG. 1 is a perspective view of an exercise bar according to the present design;  
FIG. 2 is a top view of the exercise bar, the bottom view is identical thereto;  
FIG. 3 is a right end view of the exercise bar, the opposite end view being identical thereto; and,  
FIG. 4 is a side view of the exercise bar, the opposite side view being identical thereto.

**1 Claim, 2 Drawing Sheets**



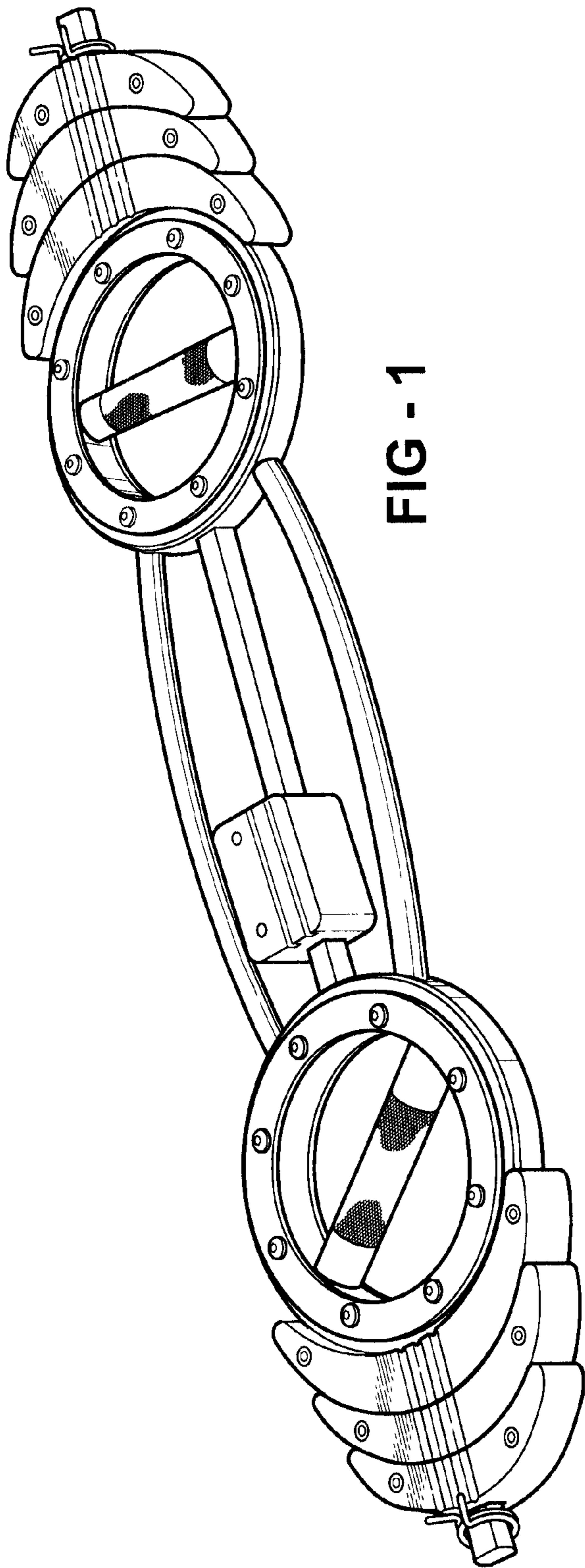
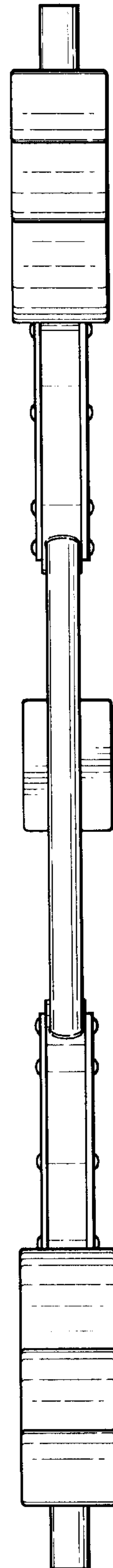


FIG - 2



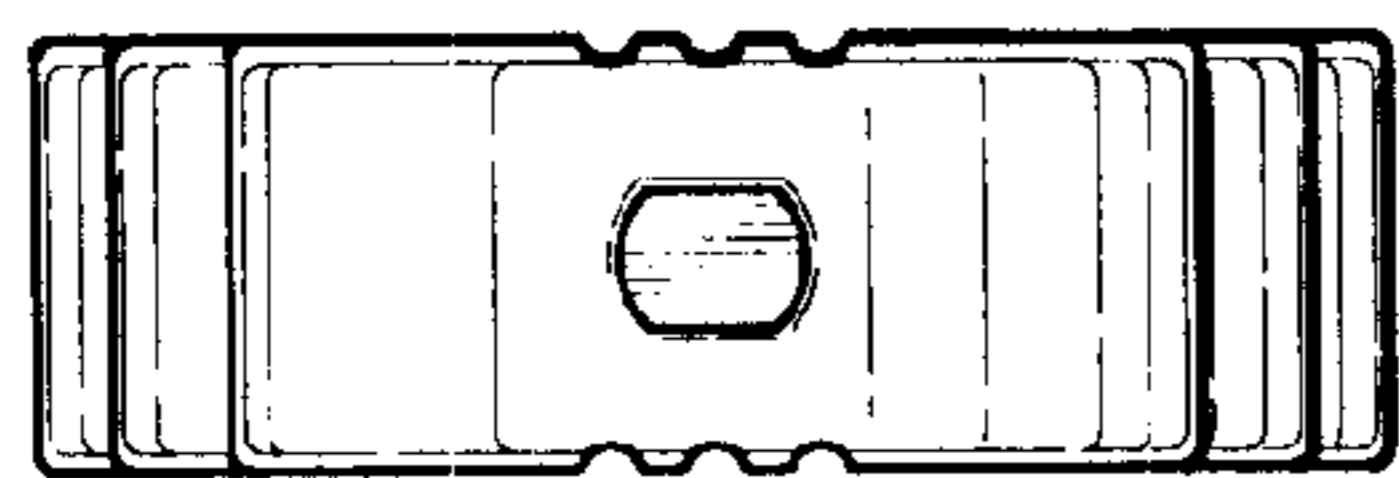


FIG - 3

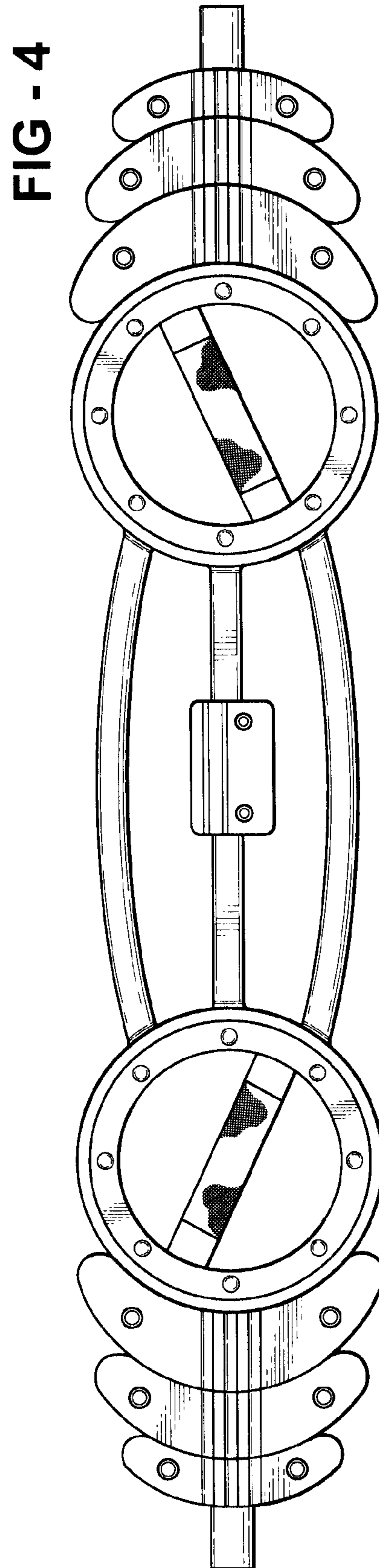


FIG - 4