



US00D535325S

(12) **United States Design Patent**
Yamaguchi

(10) **Patent No.:** **US D535,325 S**

(45) **Date of Patent:** **** Jan. 16, 2007**

(54) **PRINTER**

(75) Inventor: **Yasutake Yamaguchi**, Chiryu (JP)

(73) Assignee: **Brother Industries, Ltd.**, Nagoya (JP)

(**) Term: **14 Years**

(21) Appl. No.: **29/238,418**

(22) Filed: **Sep. 16, 2005**

(30) **Foreign Application Priority Data**

May 31, 2005 (JP) 2005-015896

(51) **LOC (8) Cl.** **14-02**

(52) **U.S. Cl.** **D18/55**

(58) **Field of Classification Search** D18/14,
D18/19, 36-39, 50, 53, 54, 54.1, 55; D14/420-425,
D14/462-470; D16/246-248; 399/107; 400/613,
400/613.1-613.4, 690.1-690.4, 691-694
See application file for complete search history.

(56) **References Cited**

U.S. PATENT DOCUMENTS

D421,455 S * 3/2000 Kobayashi et al. D18/54

6,612,763 B1 * 9/2003 Yoshihara 400/692
6,975,814 B1 * 12/2005 Tsusaka et al. 399/107
D520,055 S * 5/2006 Katayama D18/55
D521,059 S * 5/2006 Richtsmeier et al. D18/55
D521,060 S * 5/2006 Katayama D18/55
D523,069 S * 6/2006 Akahane et al. D18/50
D523,071 S * 6/2006 Katayama et al. D18/50
2004/0131378 A1 * 7/2004 Hattori et al. 399/107

* cited by examiner

Primary Examiner—Cathy Anne MacCormac

(74) *Attorney, Agent, or Firm*—Oliff & Berridge, PLC

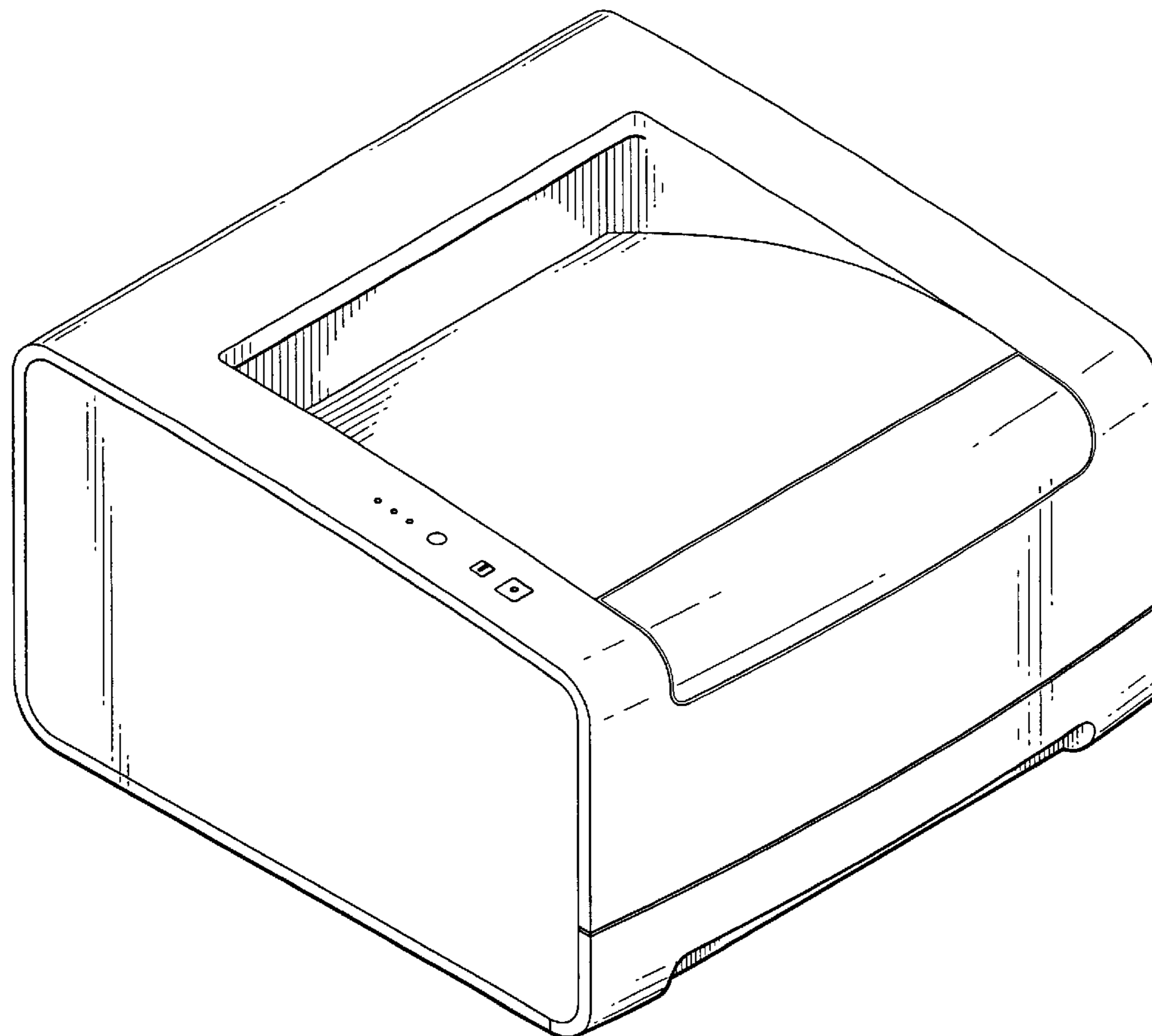
(57) **CLAIM**

The ornamental design for a printer, as shown and described.

DESCRIPTION

FIG. 1 is a perspective view of a printer;
FIG. 2 is a front view thereof;
FIG. 3 is a top view thereof;
FIG. 4 is a left-side view thereof;
FIG. 5 is a right-side view thereof;
FIG. 6 is a rear view thereof; and,
FIG. 7 is a bottom view thereof.

1 Claim, 4 Drawing Sheets



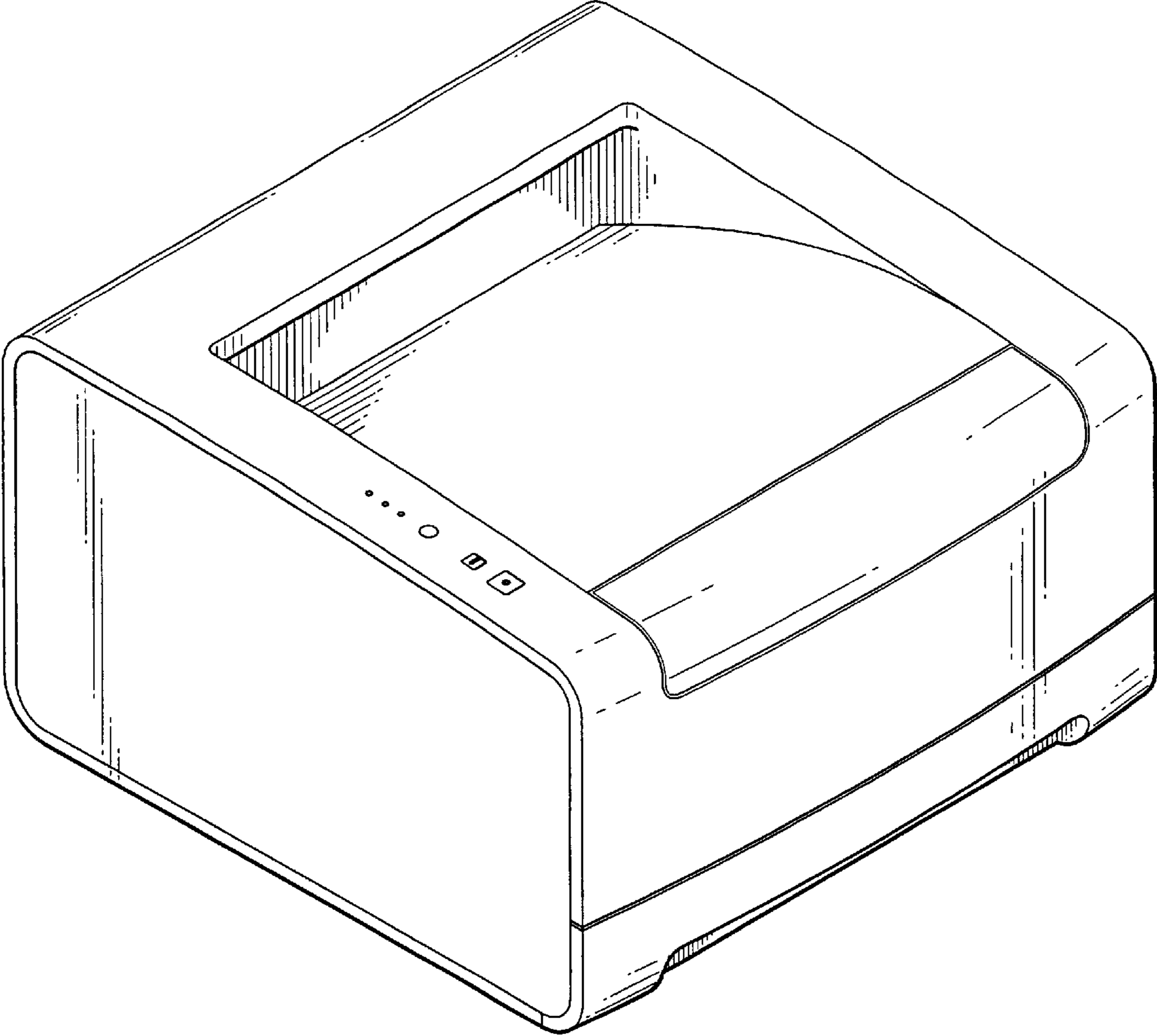


Fig. 1

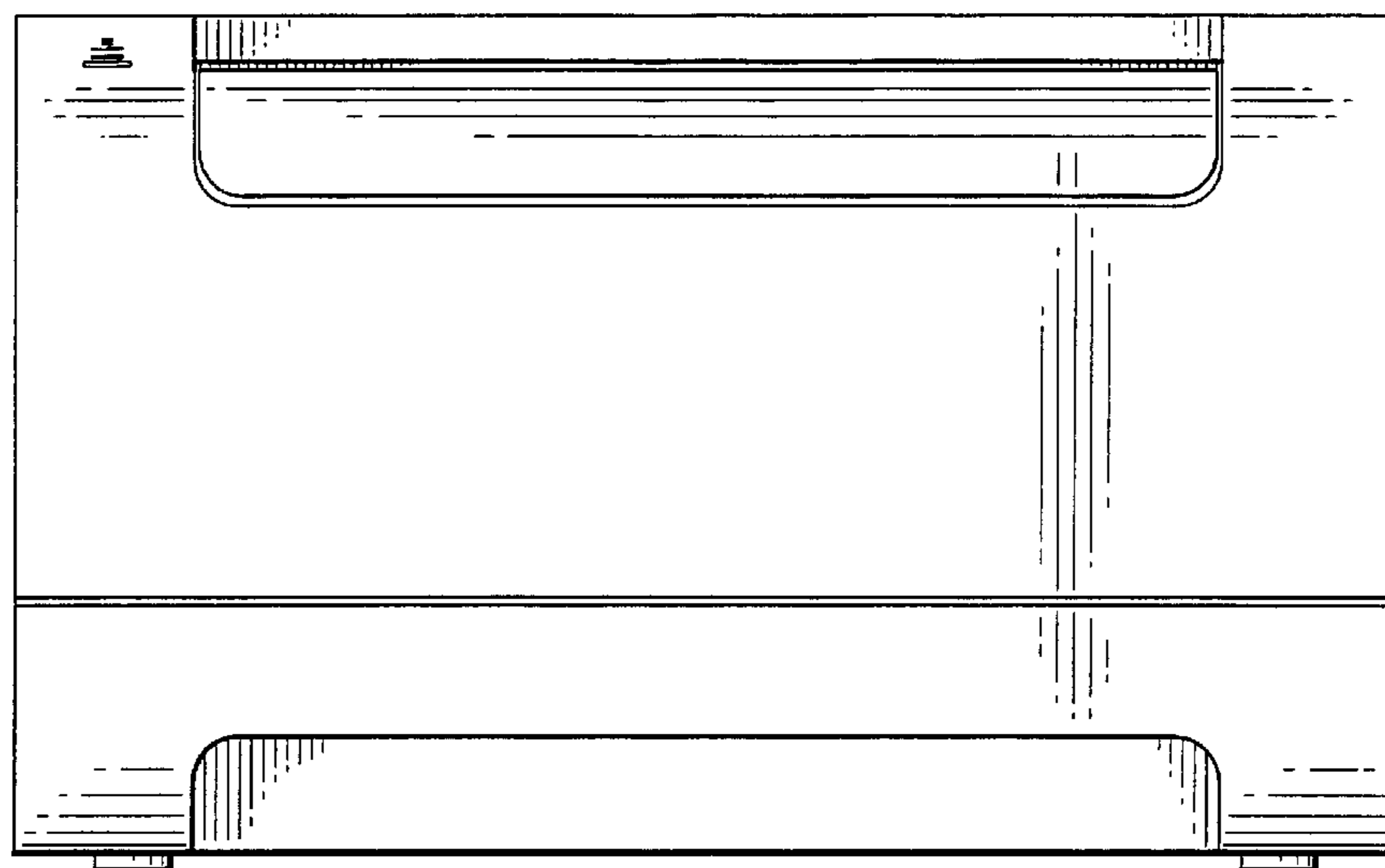


Fig. 2

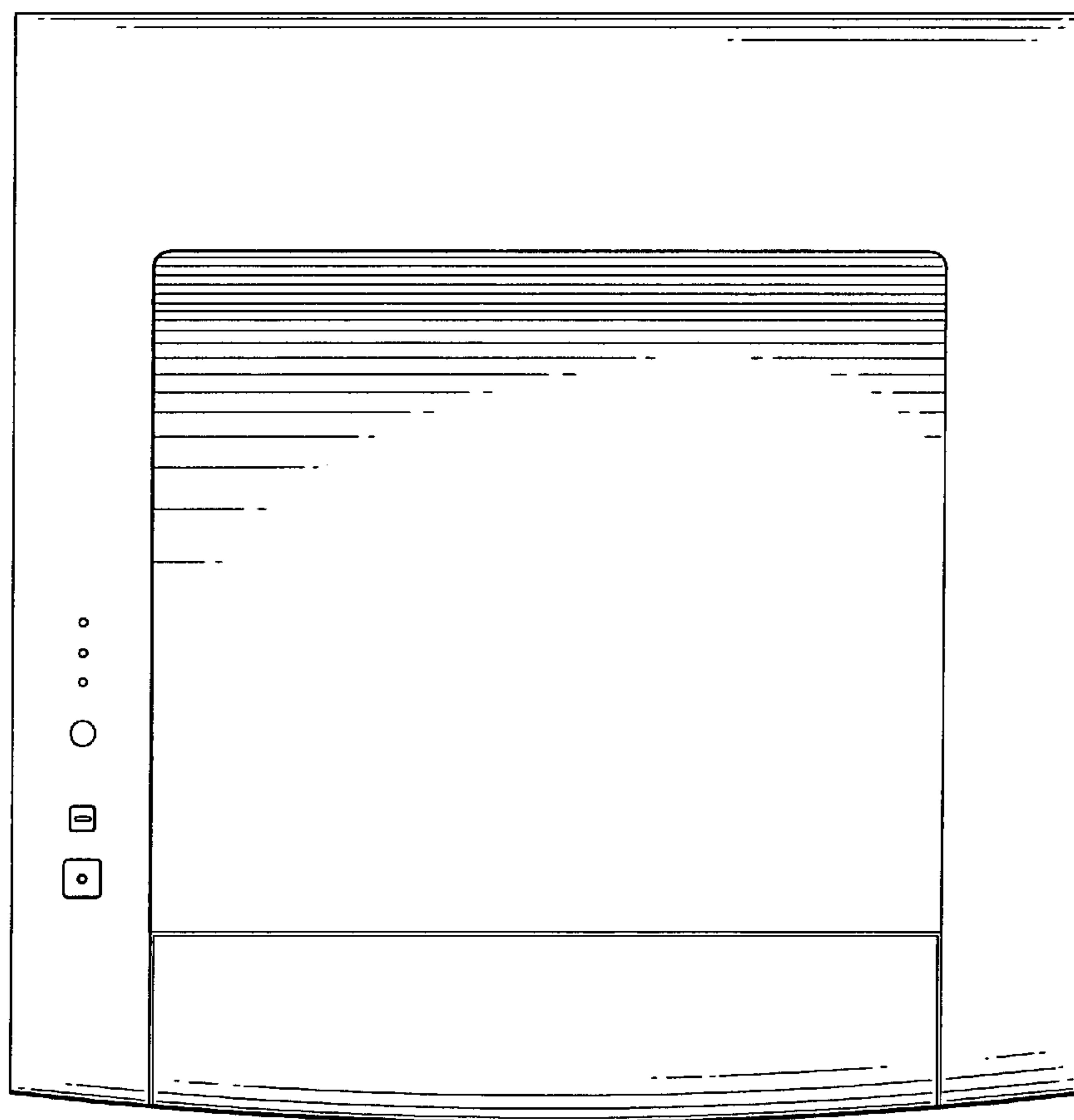


Fig. 3

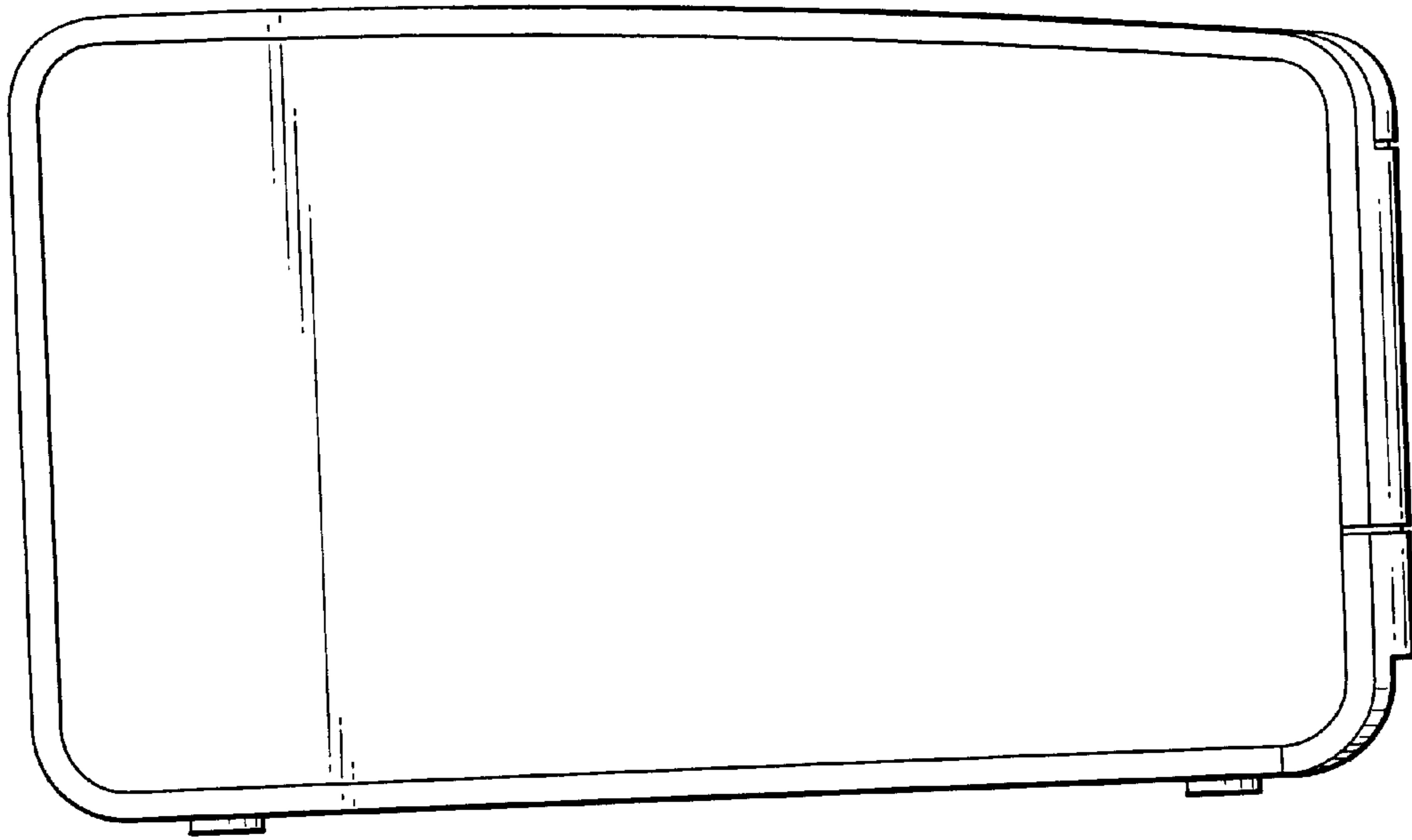


Fig. 4

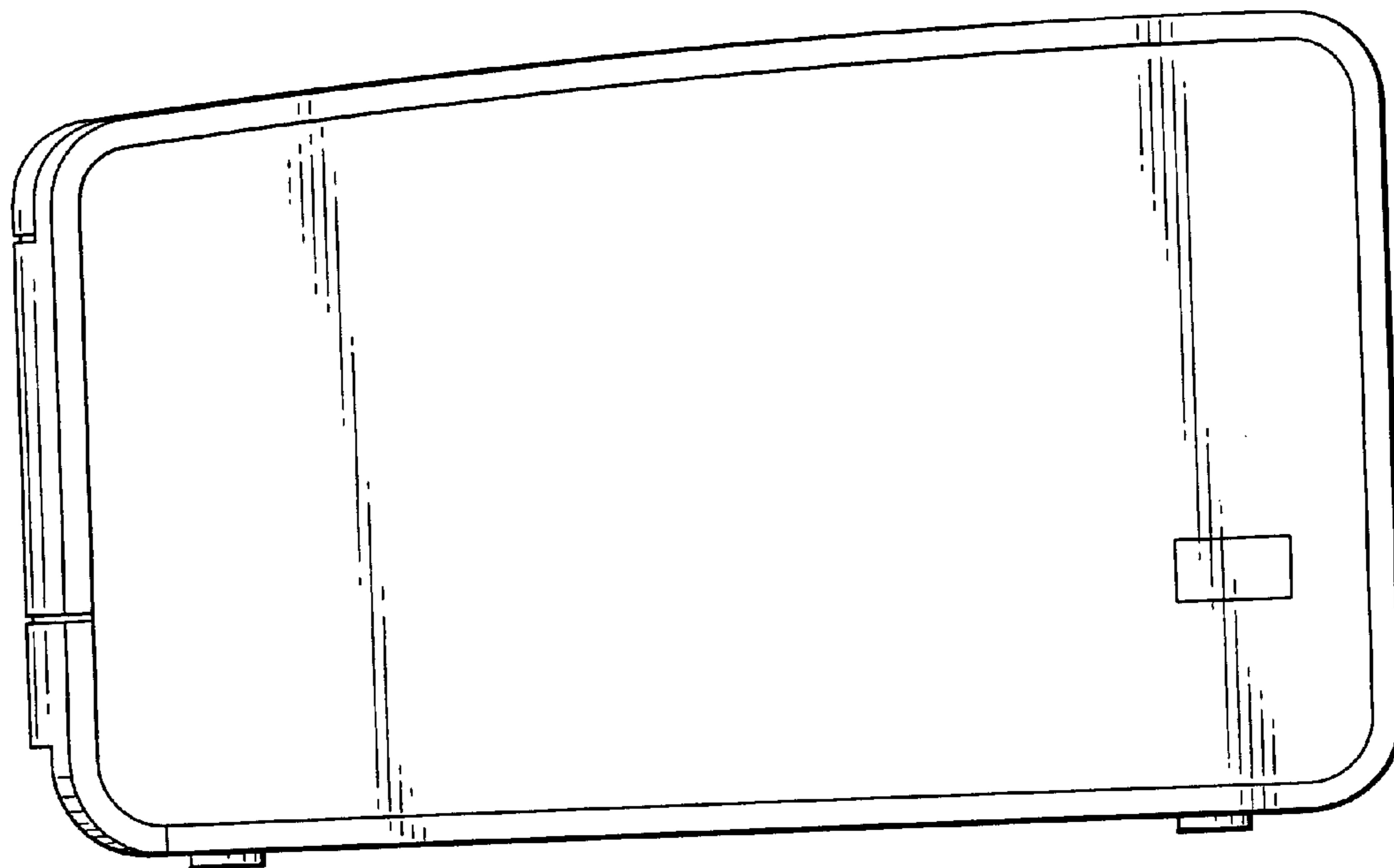


Fig. 5

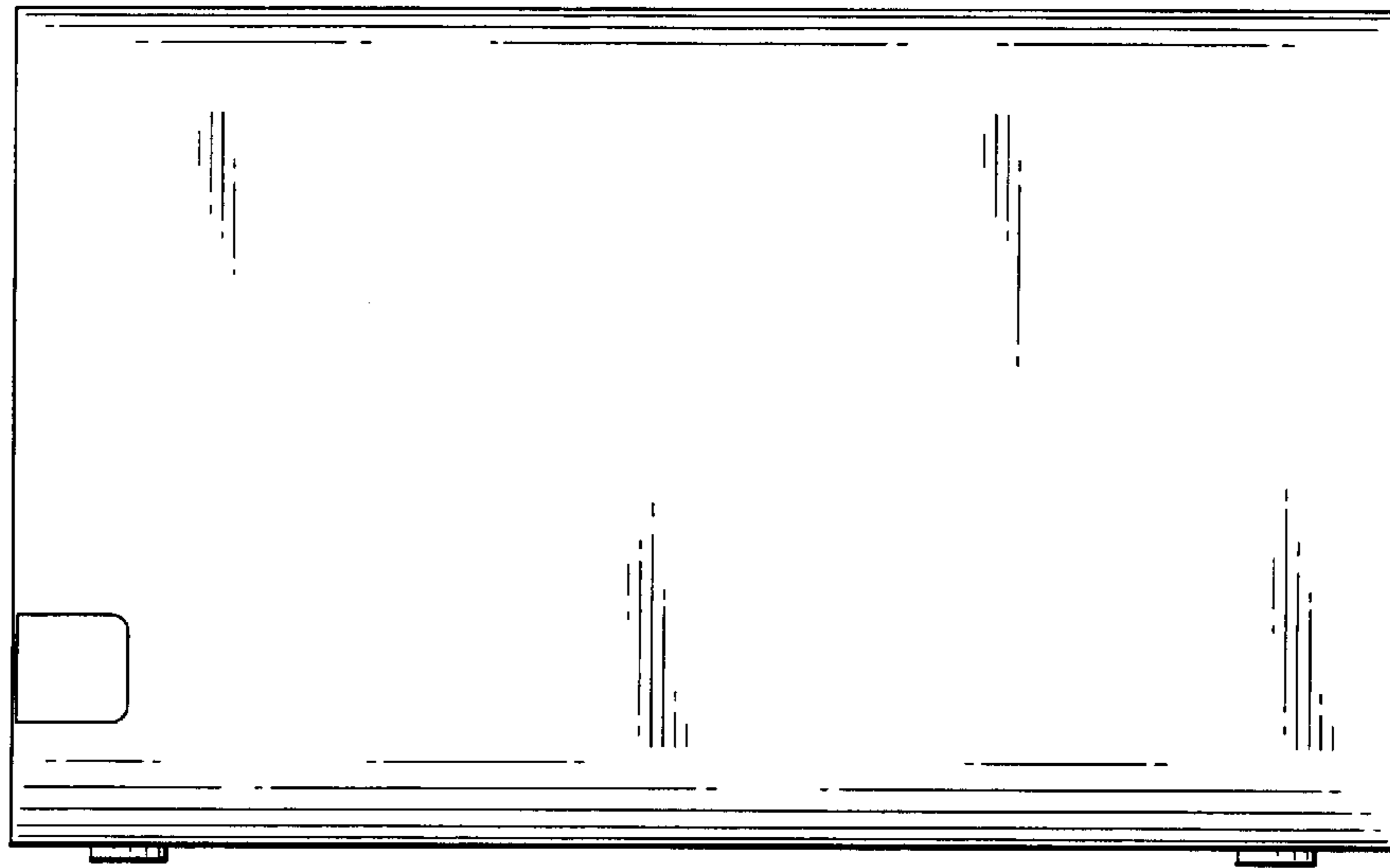


Fig. 6

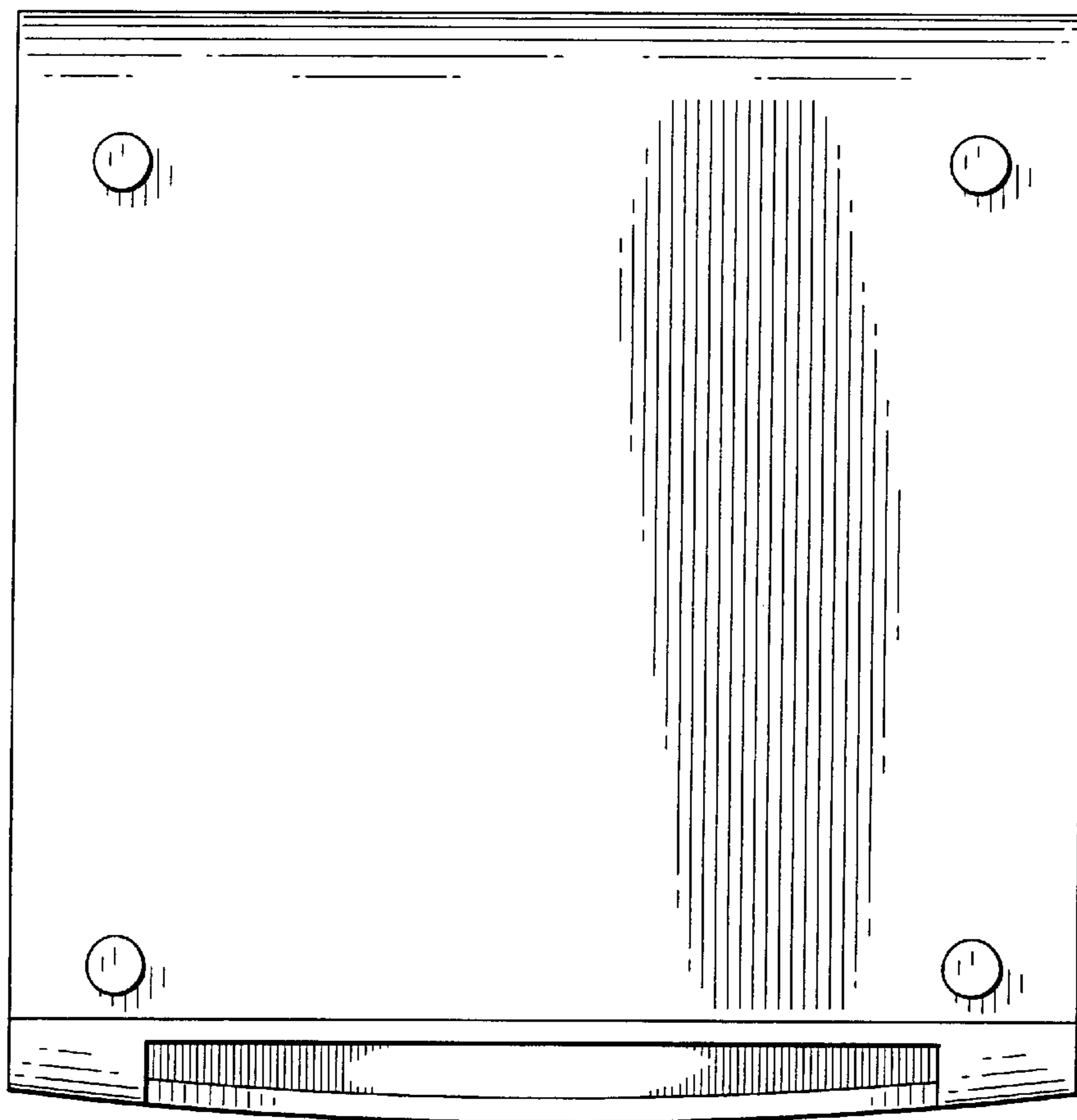


Fig. 7