



US00D535322S

(12) **United States Design Patent** (10) **Patent No.:** **US D535,322 S**  
**Lo** (45) **Date of Patent:** **\*\* Jan. 16, 2007**

(54) **PAPER SHREDDER**

(76) Inventor: **Emily Lo**, No. 18, Lane 20, Hsin Feng Street, Hsin Chuang City., Taipei Shien (TW)

(\*\*) Term: **14 Years**

(21) Appl. No.: **29/230,210**

(22) Filed: **May 18, 2005**

(51) **LOC (8) Cl.** ..... **18-04**

(52) **U.S. Cl.** ..... **D18/34.4**

(58) **Field of Classification Search** ..... D18/34.1-34.9,  
D18/99, 50; 83/167, 289, 302, 203, 523,  
83/633; 241/169.1, 36, 154, 157, 222, 224,  
241/168, 284, 295, 37.5, 285.1, 285.2, 100,  
241/236; D8/99; D7/381, 383  
See application file for complete search history.

(56) **References Cited**

**U.S. PATENT DOCUMENTS**

D265,910	S	*	8/1982	Hatanaka	.....	D18/34.5
D370,689	S	*	6/1996	Harris	.....	D18/34.4
6,164,573	A	*	12/2000	Li-Ming	.....	241/100
D444,809	S	*	7/2001	Chang	.....	D18/34.4
6,390,398	B1	*	5/2002	Wu Huang	.....	241/100
D481,416	S	*	10/2003	Chang	.....	D18/34.4
6,682,006	B1	*	1/2004	Lee	.....	241/236
D502,729	S	*	3/2005	Lo	.....	D18/34.5

D502,960	S	*	3/2005	Lo	.....	D18/34.5
D502,961	S	*	3/2005	Lo	.....	D18/34.6
6,964,386	B1	*	11/2005	Ho	.....	241/236
2005/0029375	A1	*	2/2005	Ho	.....	241/100
2005/0121551	A1	*	6/2005	Ho	.....	241/236

\* cited by examiner

*Primary Examiner*—Charles A. Rademaker

(74) *Attorney, Agent, or Firm*—Pro-Techtor Int'l Services

(57) **CLAIM**

The ornamental design for paper shredder, as shown and described.

**DESCRIPTION**

FIG. 1 is a perspective view of paper shredder showing my new design;

FIG. 2 is a front elevational view thereof;

FIG. 3 is a rear elevational view thereof;

FIG. 4 is a top plan view thereof;

FIG. 5 is a bottom plan view thereof;

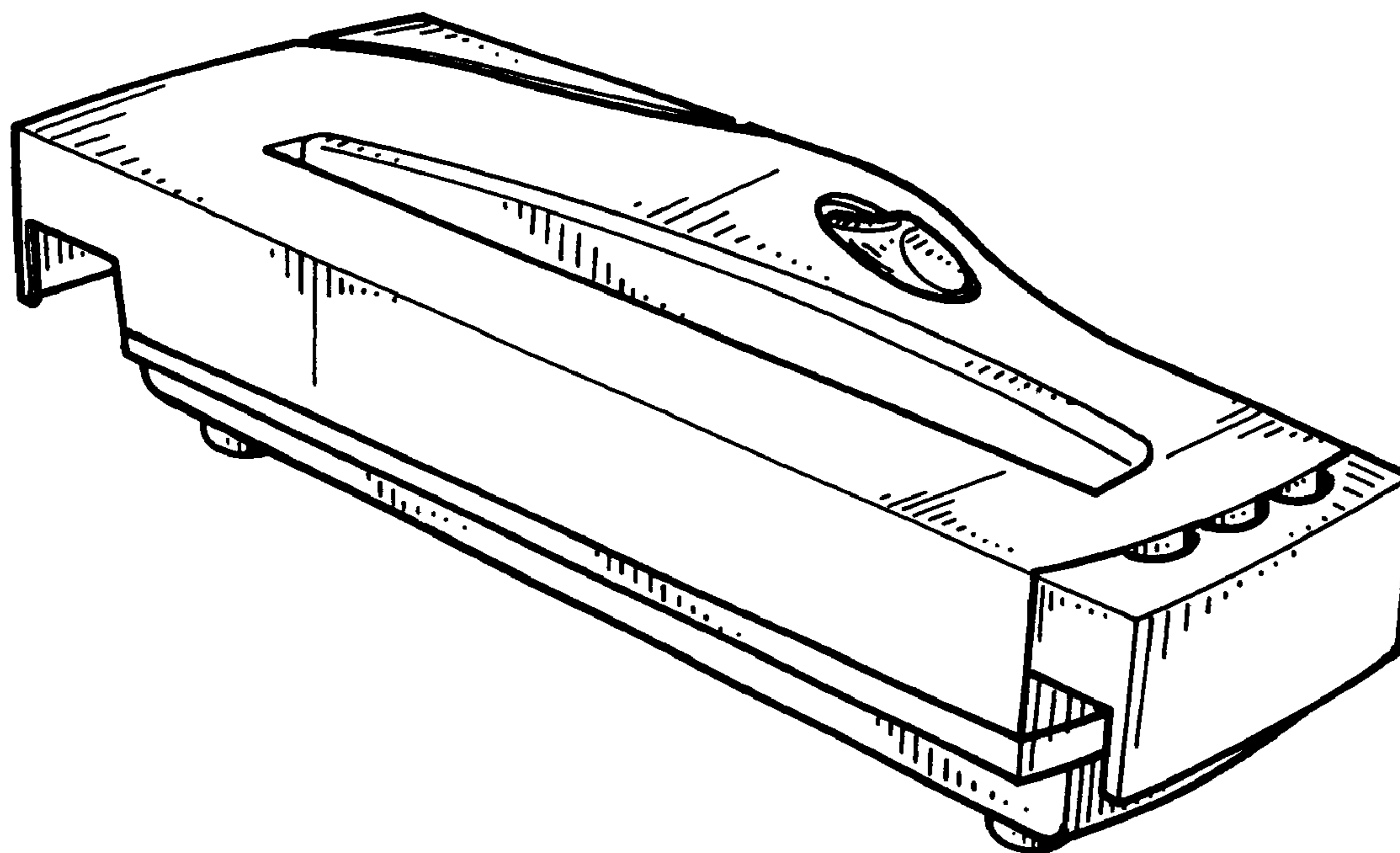
FIG. 6 is a left side elevational view thereof; and

FIG. 7 is a right side elevational view thereof; and,

FIG. 8 is a perspective view thereof, being shown the illustrative purposes only.

The broken line showing of environment in FIG. 8 is for illustrative purposes only and forms no part of the claimed design.

**1 Claim, 5 Drawing Sheets**



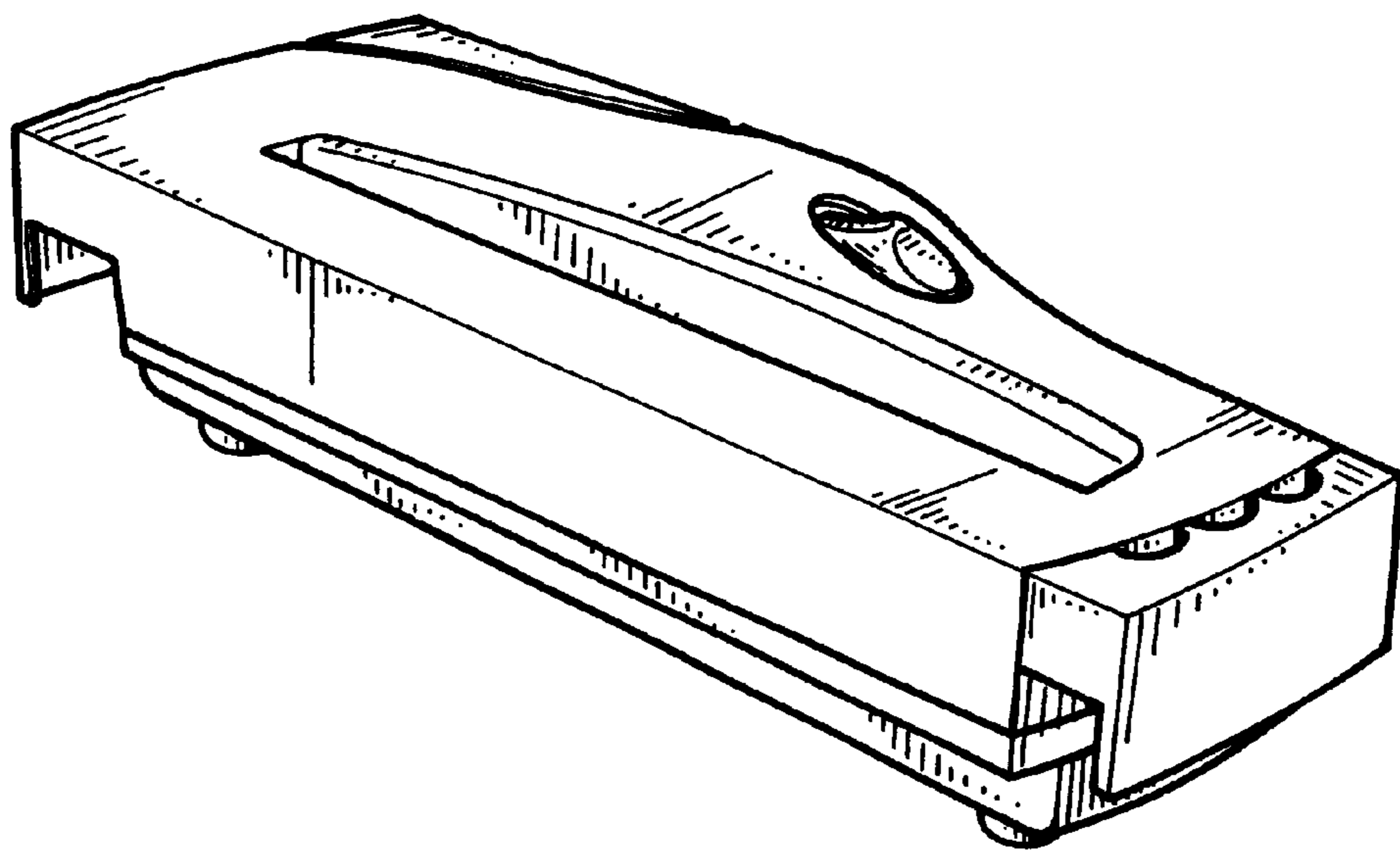


FIG.1

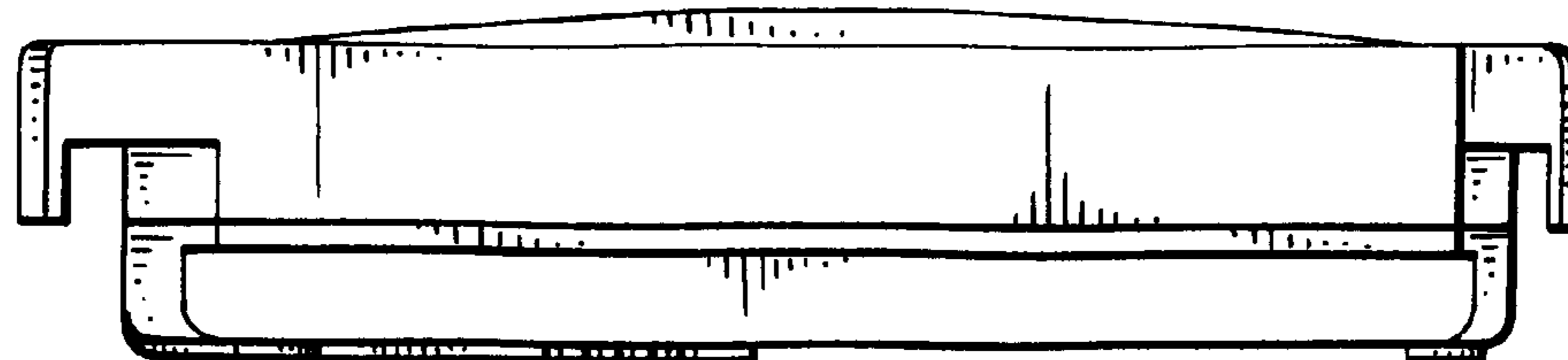


FIG. 2

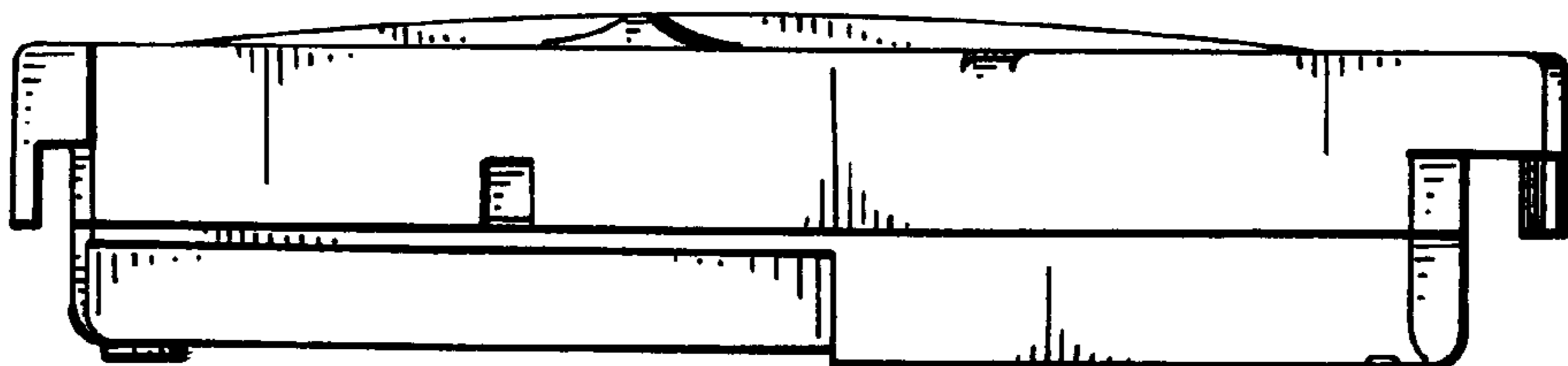


FIG. 3

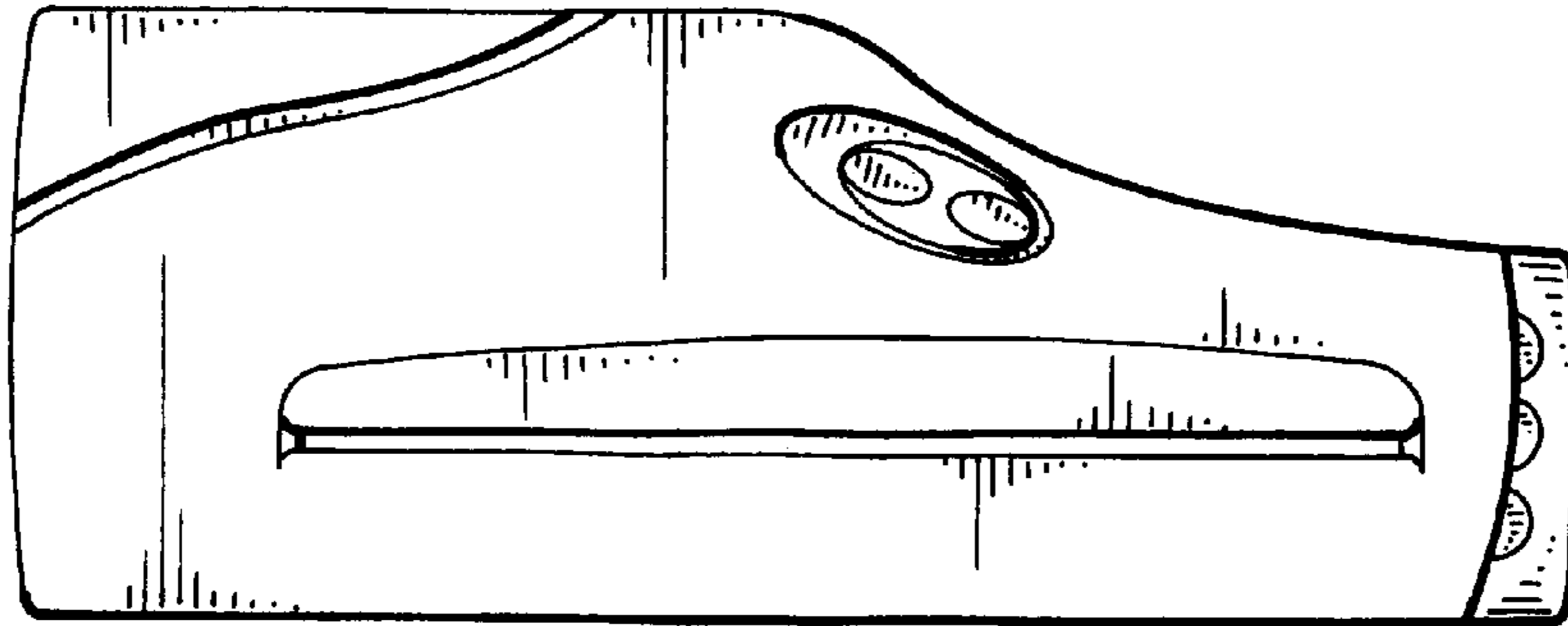


FIG. 4

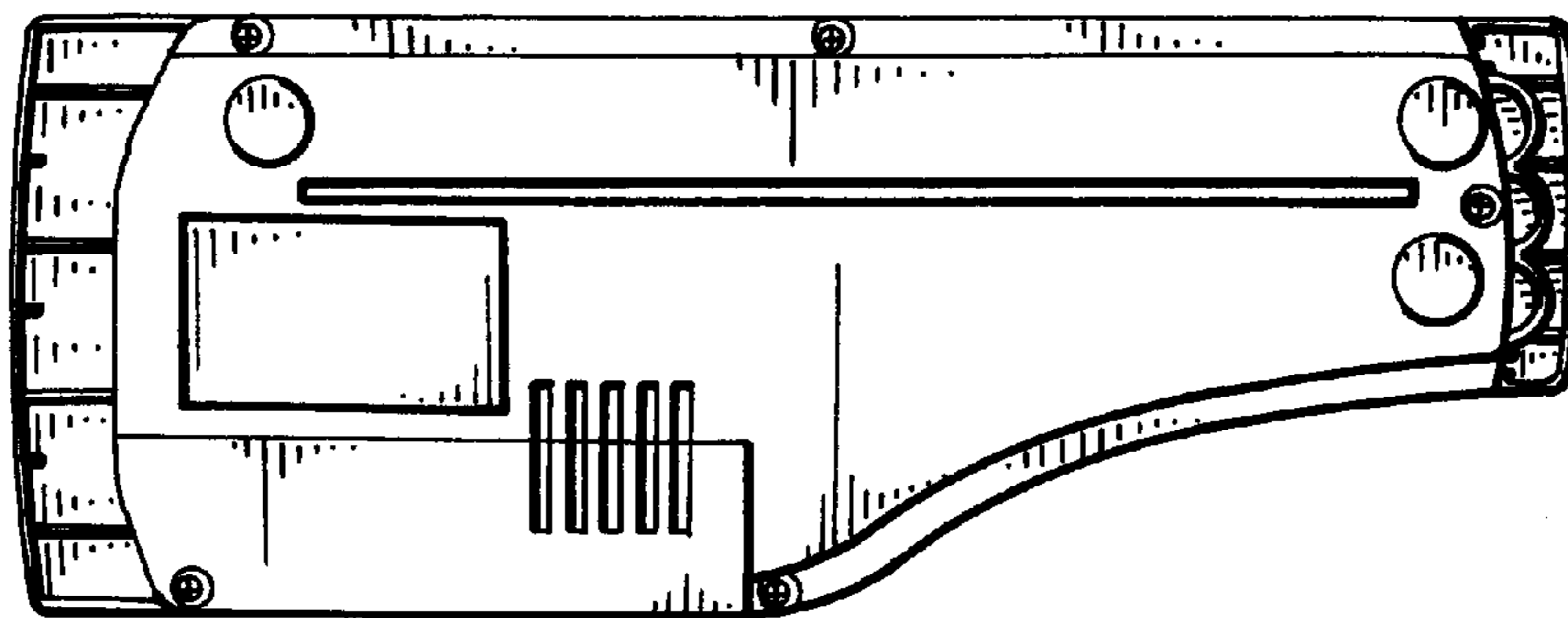


FIG. 5

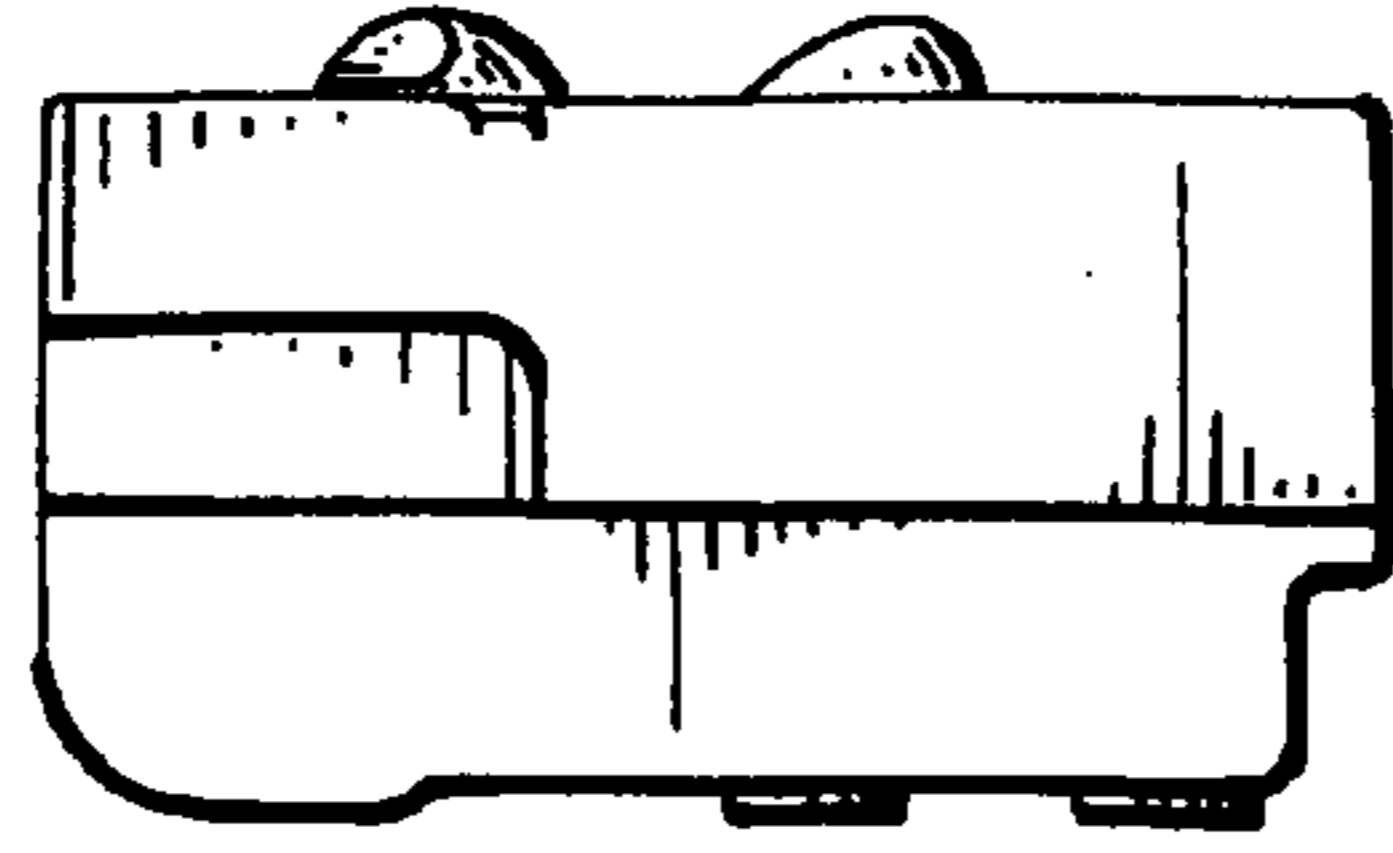


FIG. 6

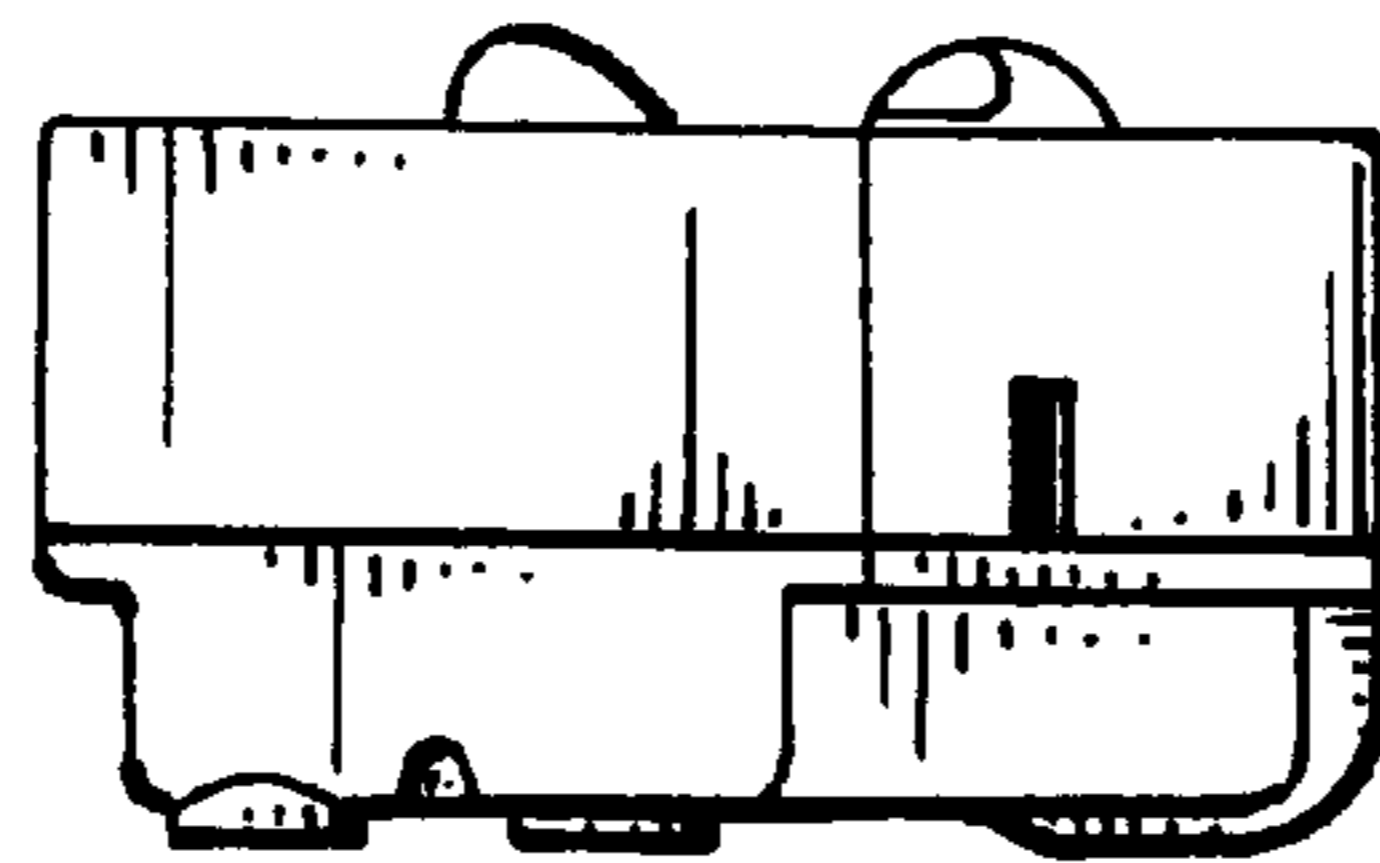


FIG. 7

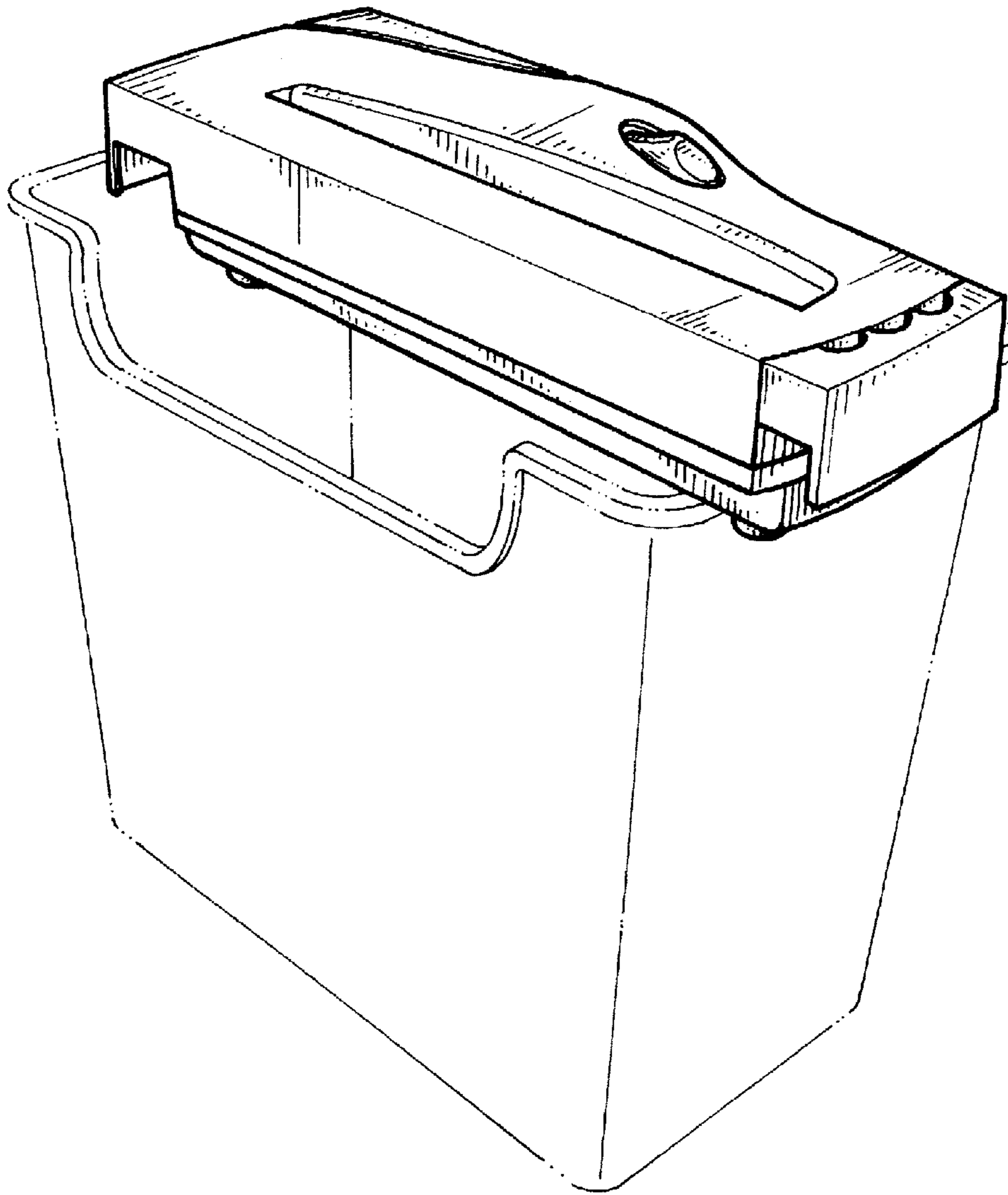


FIG.8