

US00D535314S

(12) **United States Design Patent**  
**Chang**

(10) **Patent No.:** **US D535,314 S**

(45) **Date of Patent:** **\*\* Jan. 16, 2007**

(54) **DIGITAL CAMERA**

(75) Inventor: **Chien Kuo Chang**, Taichu-shi (TW)

(73) Assignee: **Olympus Imaging Corporation**, Tokyo (JP)

(\*\*) Term: **14 Years**

(21) Appl. No.: **29/230,966**

(22) Filed: **May 26, 2005**

(30) **Foreign Application Priority Data**

Mar. 3, 2005 (JP) ..... 2005-006214

(51) **LOC (8) Cl.** ..... **16-01**

(52) **U.S. Cl.** ..... **D16/202**

(58) **Field of Classification Search** ..... D16/200–205,  
D16/208, 218; 348/373–376; 358/909.1;  
396/535–541

See application file for complete search history.

(56) **References Cited**

**U.S. PATENT DOCUMENTS**

D473,886 S \* 4/2003 Katayama ..... D16/202

D479,547 S \* 9/2003 Nagayama ..... D16/202

D487,283 S \* 3/2004 Watanabe ..... D16/202

D495,352 S \* 8/2004 Sakaguchi et al. .... D16/202

D516,598 S \* 3/2006 Wani ..... D16/202

\* cited by examiner

*Primary Examiner*—Adir Aronovich

(74) *Attorney, Agent, or Firm*—Hogan & Hartson LLP

(57) **CLAIM**

The ornamental design for a digital camera, as shown and described.

**DESCRIPTION**

FIG. 1 is a front, top and right side perspective view of a digital camera showing my new design;

FIG. 2 is a rear, bottom and left side thereof;

FIG. 3 is a front elevational view thereof;

FIG. 4 is a rear elevational view thereof;

FIG. 5 is a top plan view thereof;

FIG. 6 is a bottom plan view thereof;

FIG. 7 is a right side elevation view thereof;

FIG. 8 is a left side elevational view thereof;

FIG. 9 is a front, top and right side perspective view with a barrier opened and lens extended;

FIG. 10 is a front view thereof, with the barrier opened; and,

FIG. 11 is a right side view thereof, with the barrier opened and lens extended.

**1 Claim, 6 Drawing Sheets**

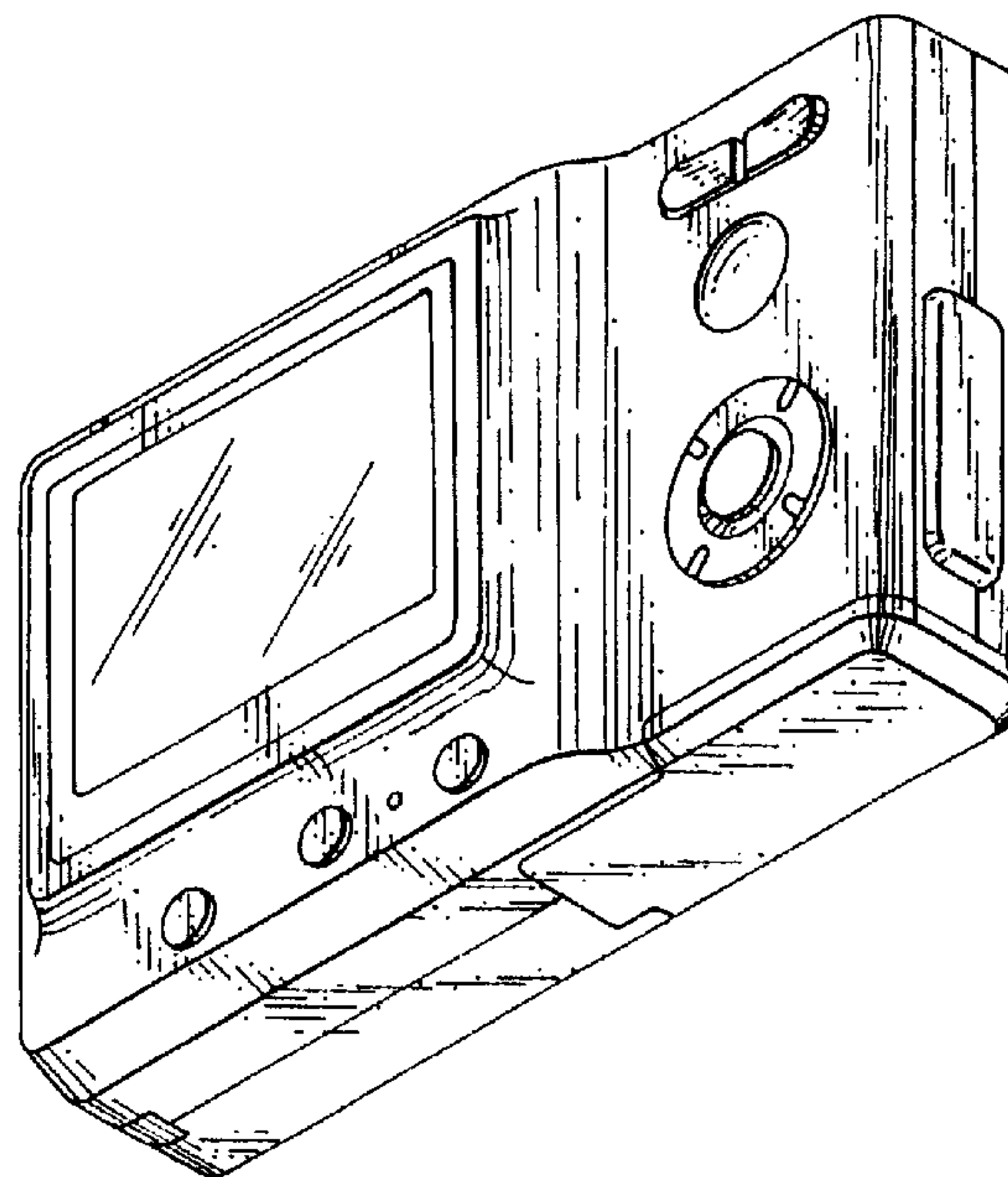
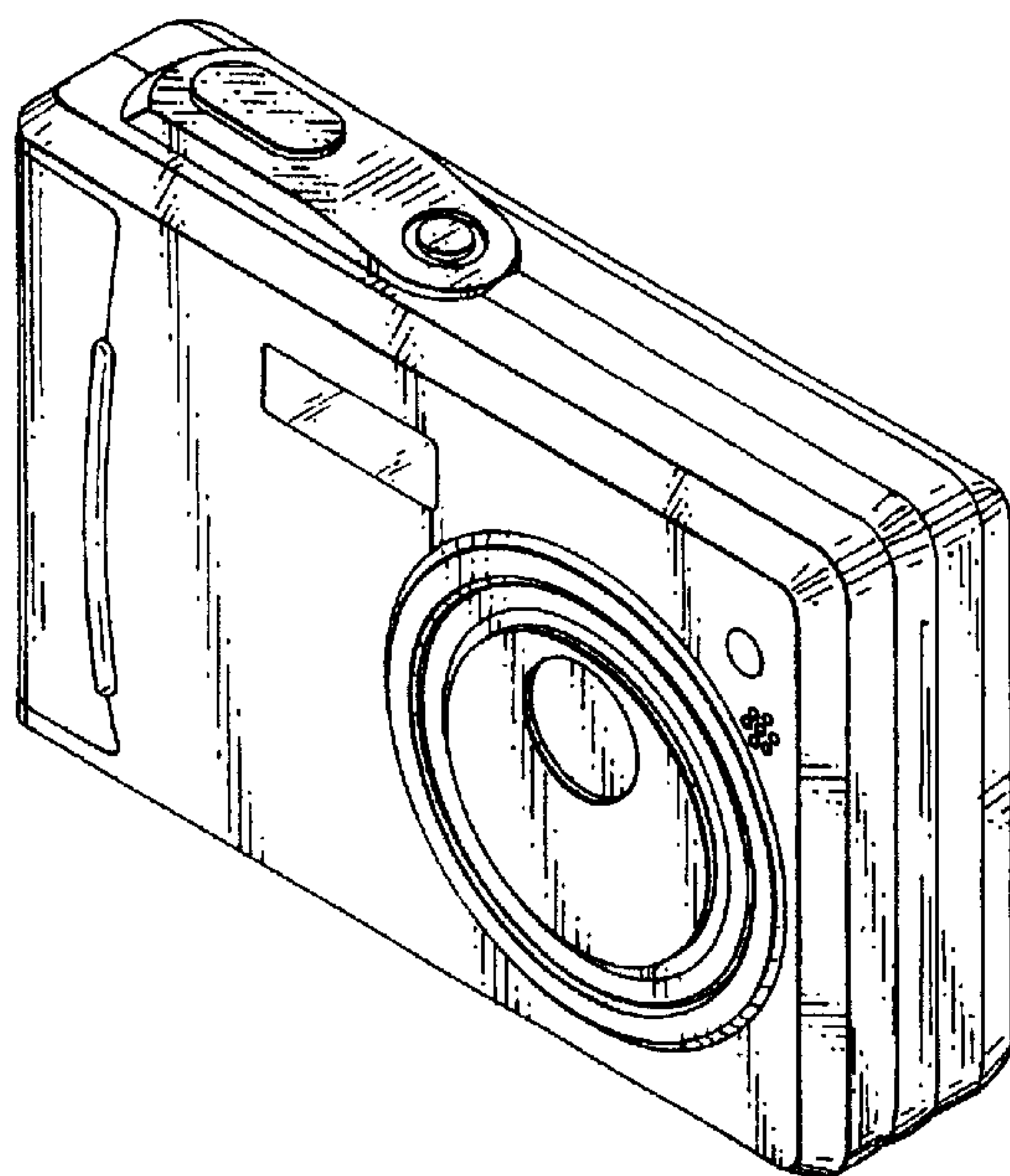


FIG. 1

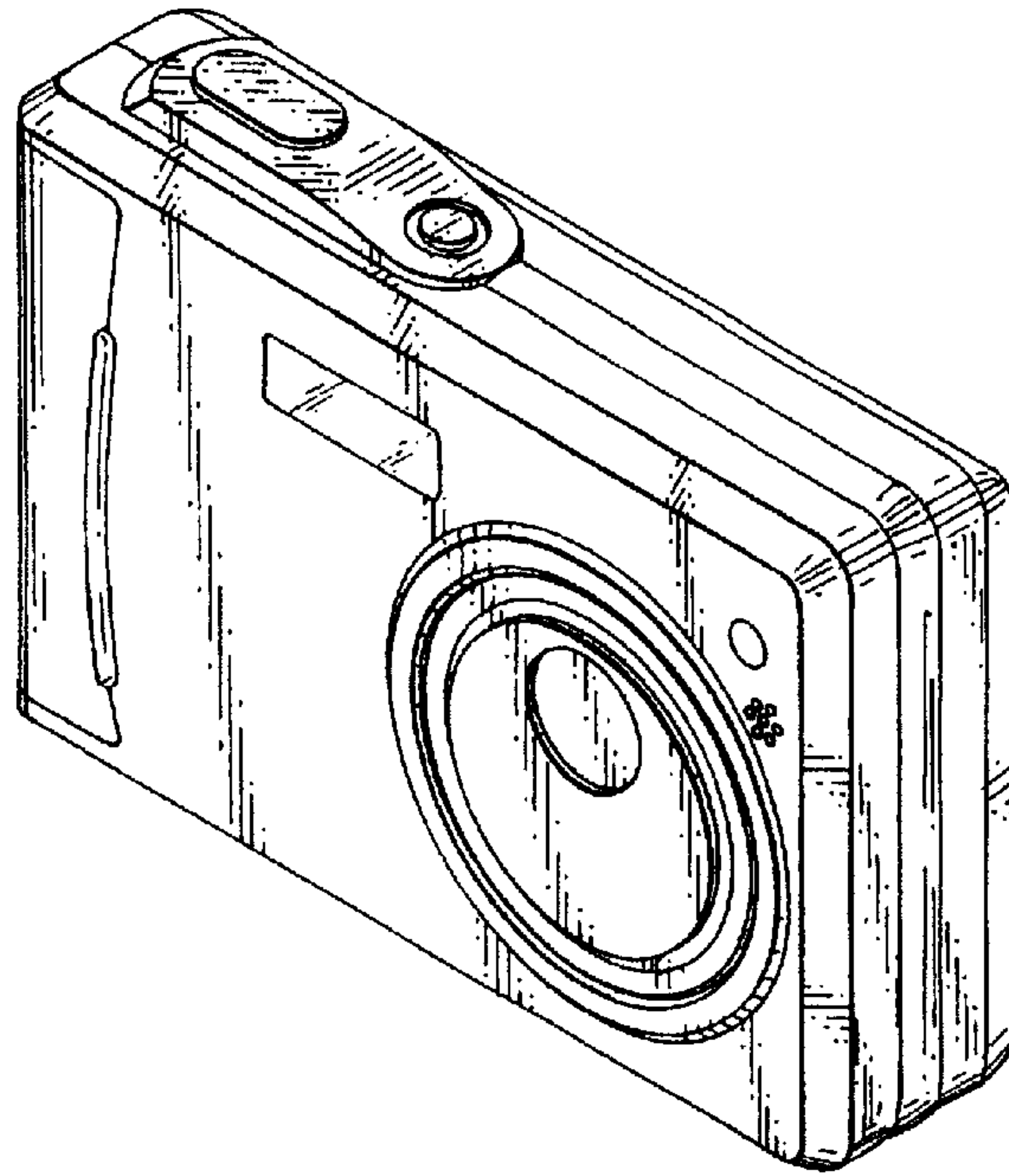


FIG. 2

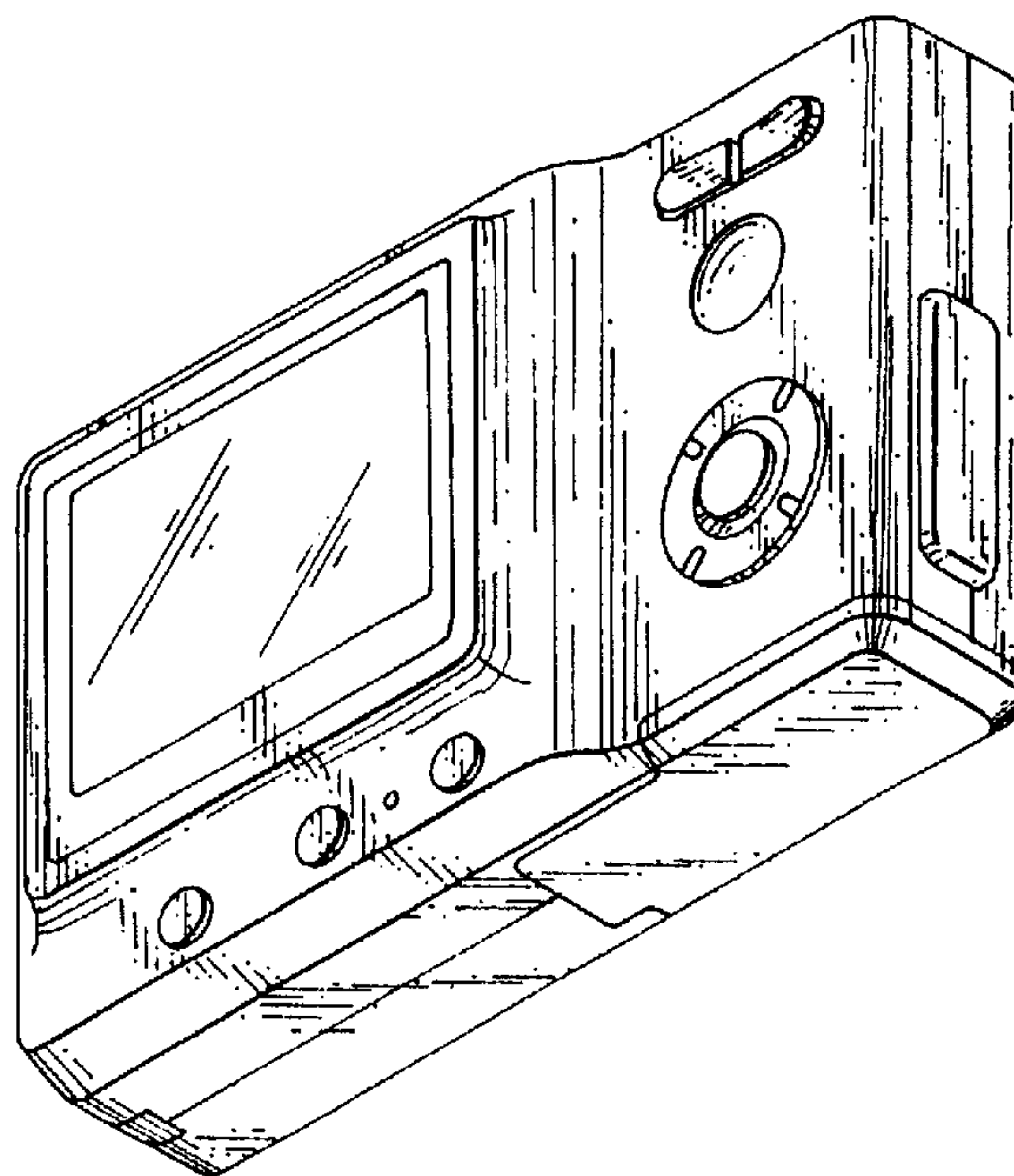


FIG. 3

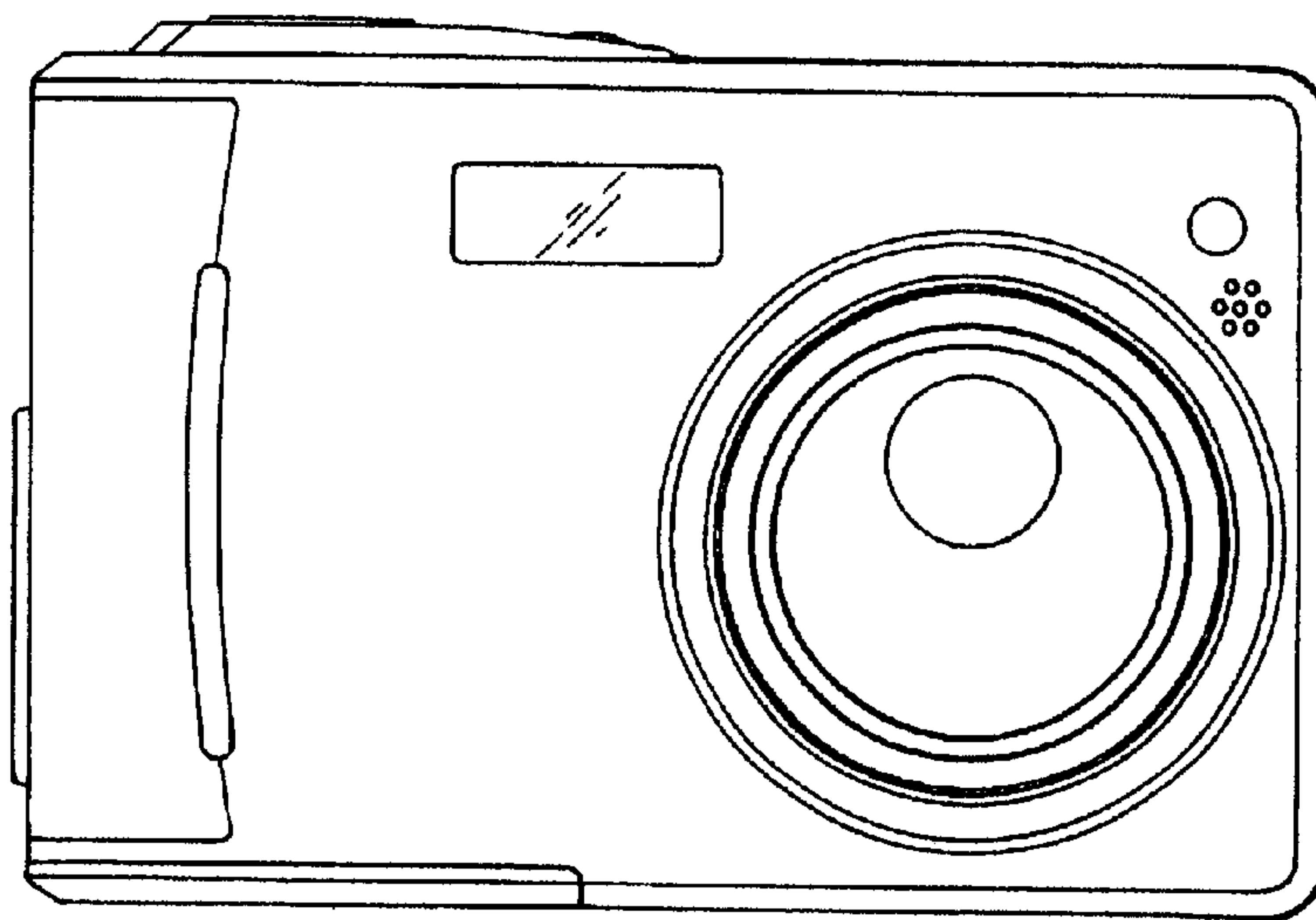


FIG. 4

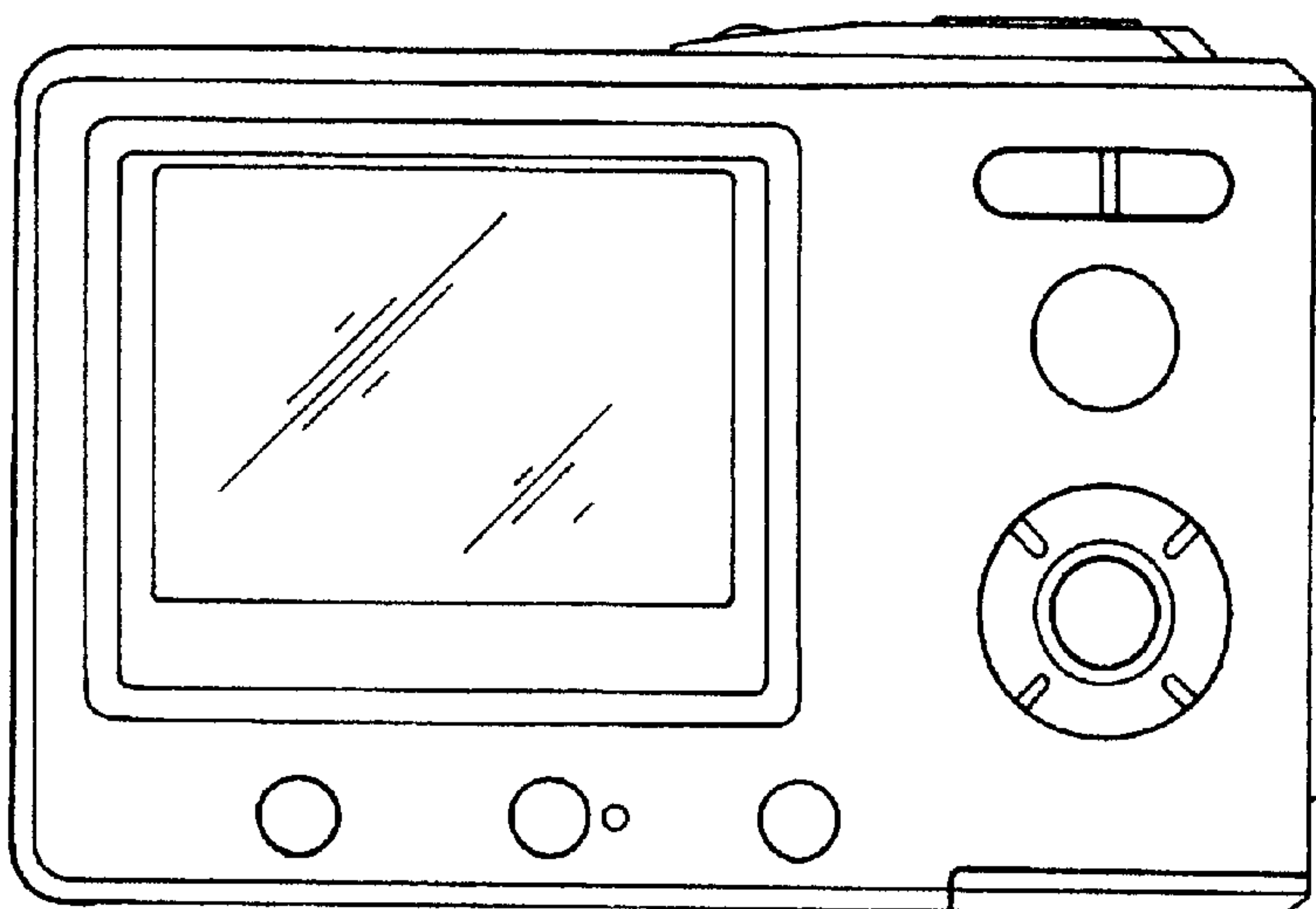


FIG. 5

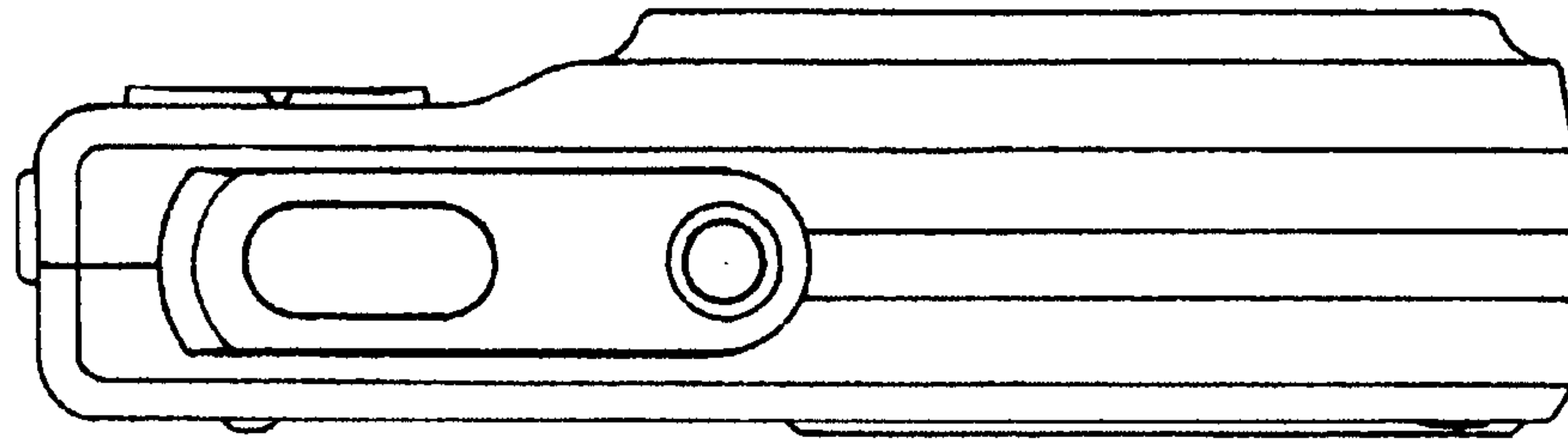


FIG. 6

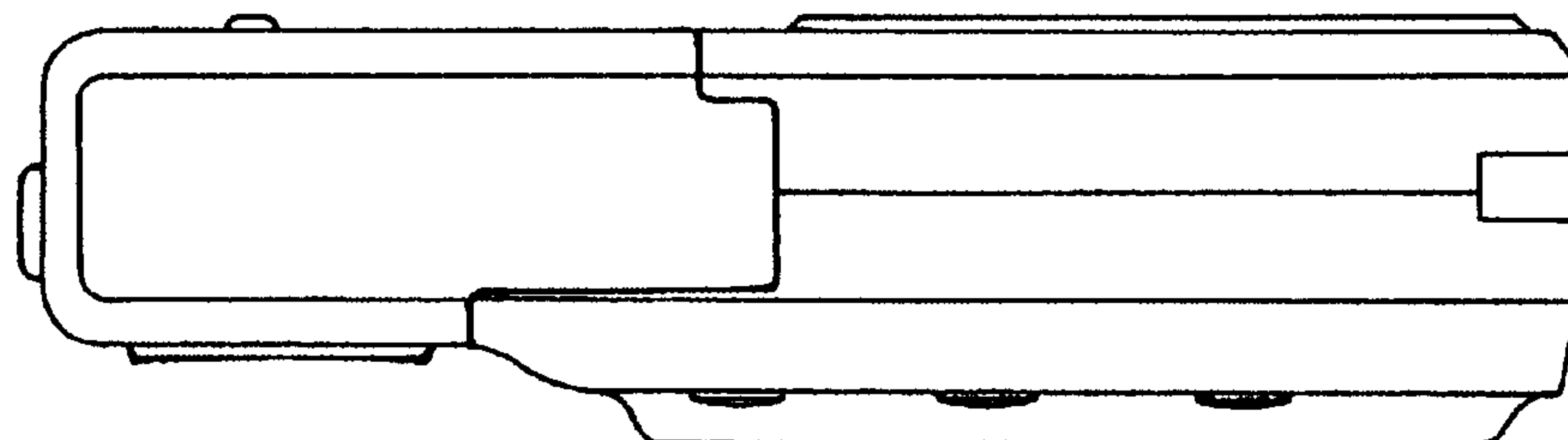


FIG. 7

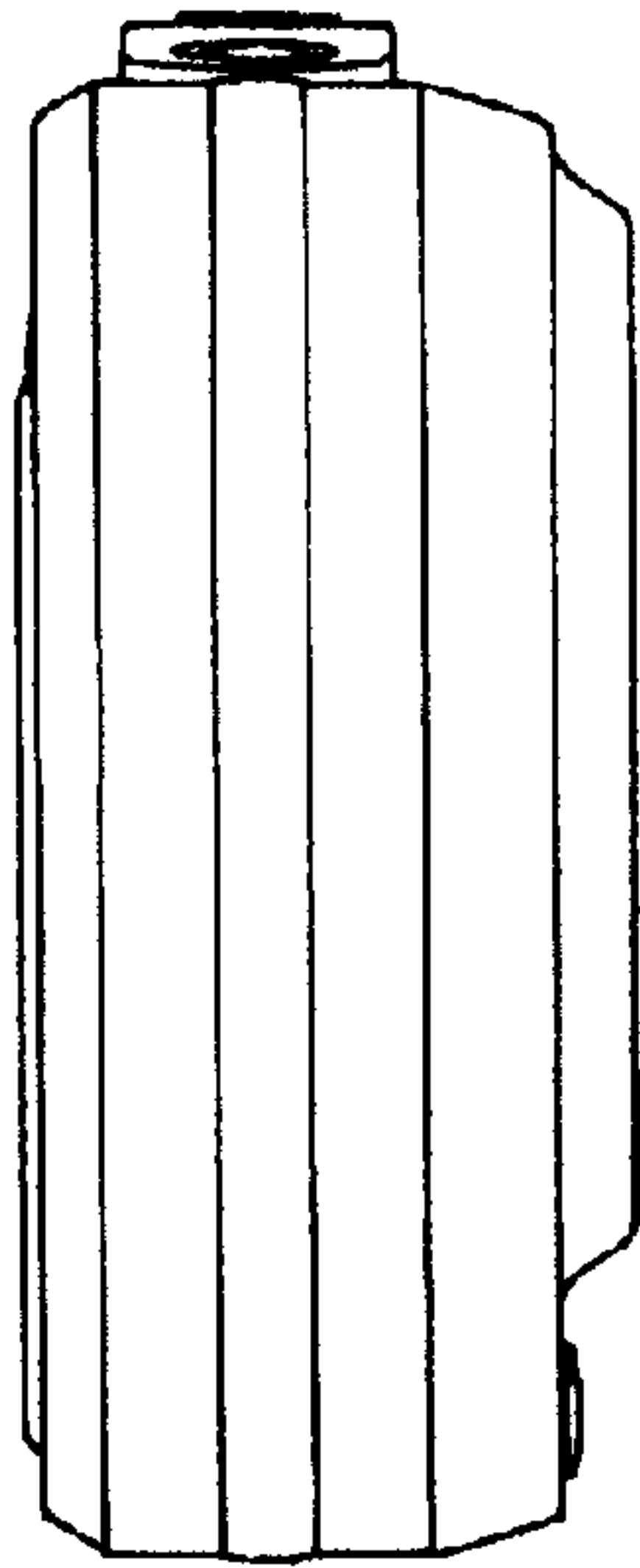


FIG. 8

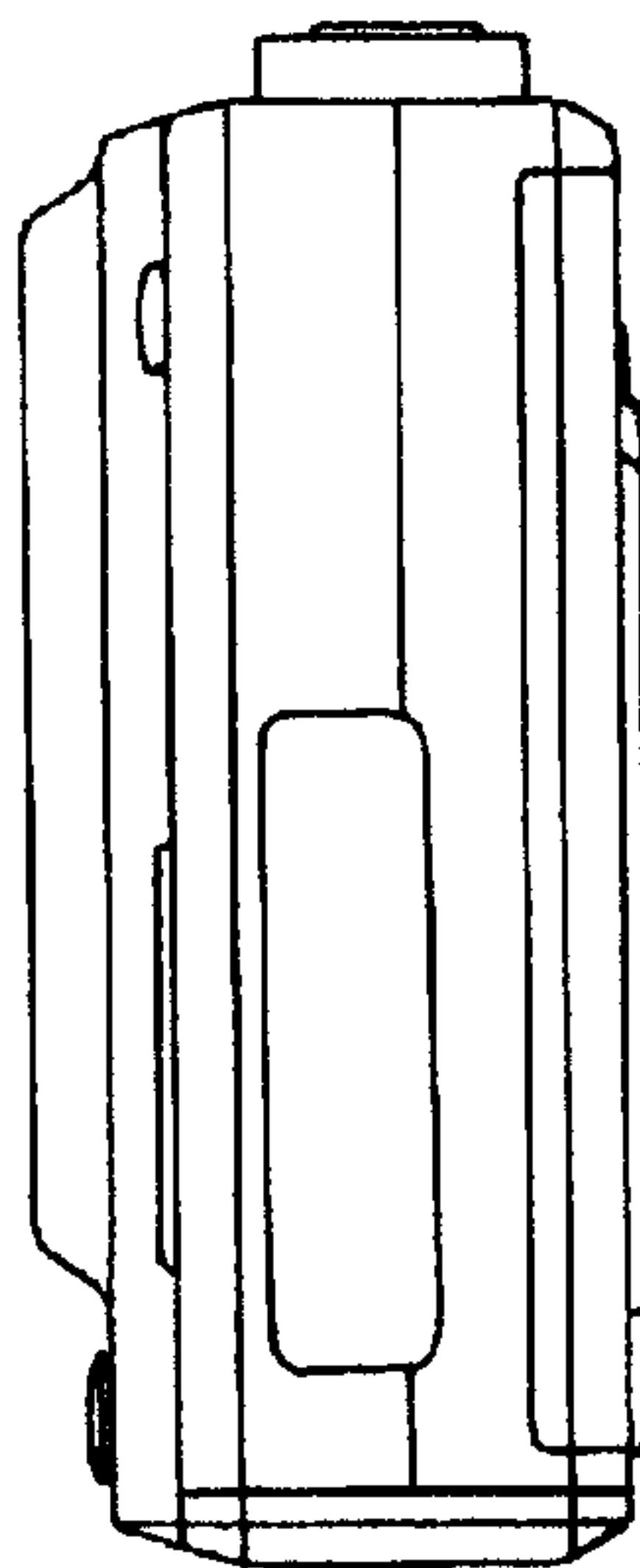




FIG. 9

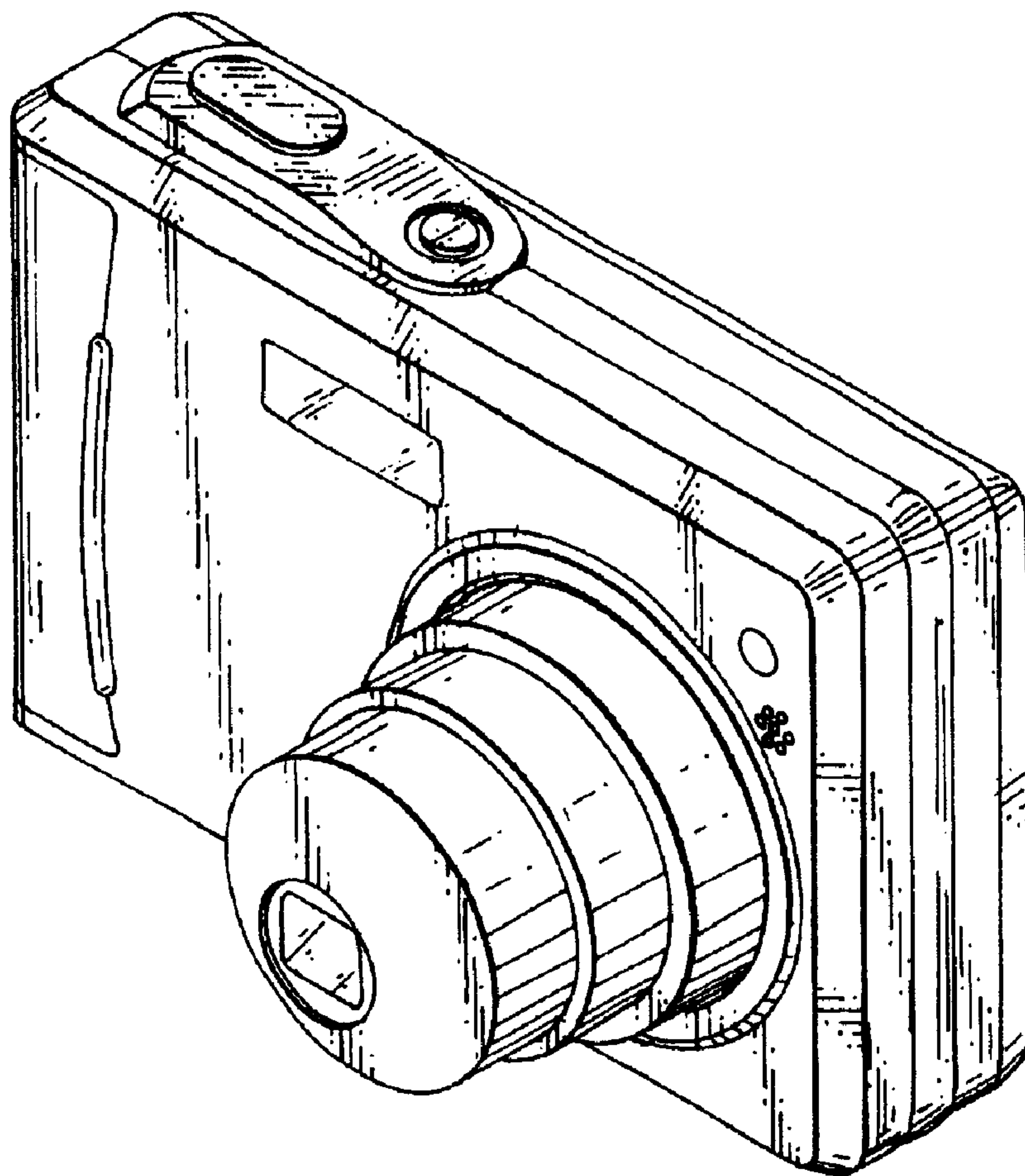


FIG. 10

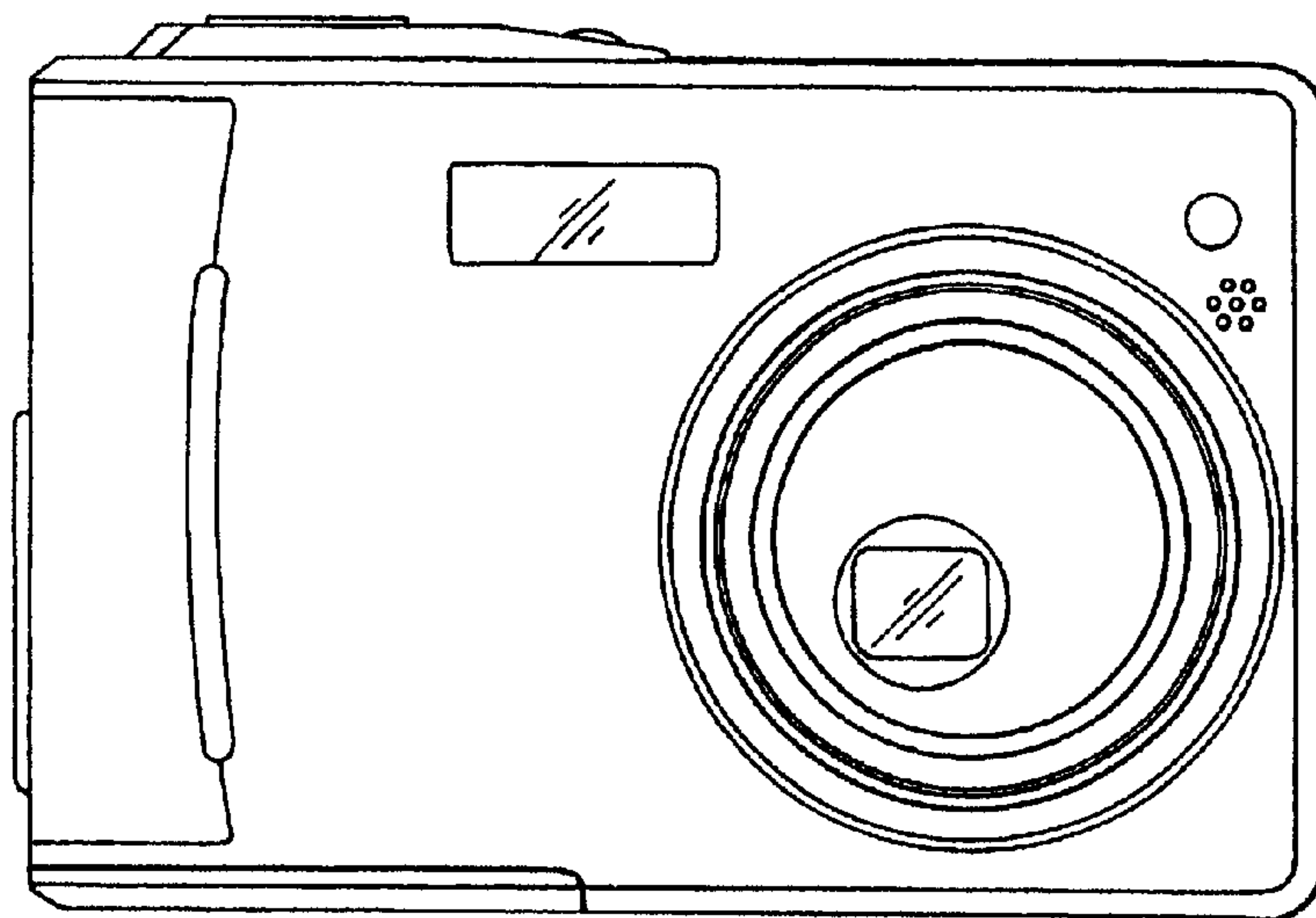


FIG. 11

