



US00D535313S

(12) **United States Design Patent** (10) **Patent No.:** **US D535,313 S**
Cunningham et al. (45) **Date of Patent:** **** Jan. 16, 2007**

(54) **TIRE CHANGER JAW**

6,182,736 B1 2/2001 Cunningham et al.
6,886,619 B1 * 5/2005 Gonzaga 157/1.28

(75) Inventors: **Charles L. Cunningham**, Nashville, TN (US); **Ronald D. Hone**, Fairview, TN (US)

* cited by examiner

Primary Examiner—Antoine D. Davis
Assistant Examiner—Patricia Palasik

(73) Assignee: **Hennessy Industries, Inc.**, LaVergne, TN (US)

(74) *Attorney, Agent, or Firm*—Nelson Mullins Riley & Scarborough LLP

(**) Term: **14 Years**

(57) **CLAIM**

The ornamental design of a tire changer jaw, substantially as shown and described.

(21) Appl. No.: **29/226,039**

(22) Filed: **Mar. 23, 2005**

DESCRIPTION

(51) **LOC (8) Cl.** **15-99**

(52) **U.S. Cl.** **D15/199**

(58) **Field of Classification Search** D15/199;
157/1.22, 1.24

See application file for complete search history.

FIG. 1 is a perspective view of a tire changer jaw embodying the design of the present invention.

FIG. 2 is a top view of the tire changer jaw illustrated in FIG. 1.

FIG. 3 is a bottom view of the tire changer jaw illustrated in FIG. 1.

FIG. 4 is a front elevational view of the tire changer jaw illustrated in FIG. 1.

FIG. 5 is a back view of the tire changer jaw illustrated in FIG. 1.

FIG. 6 is a left side elevational view of the tire changer jaw of FIG. 1; and,

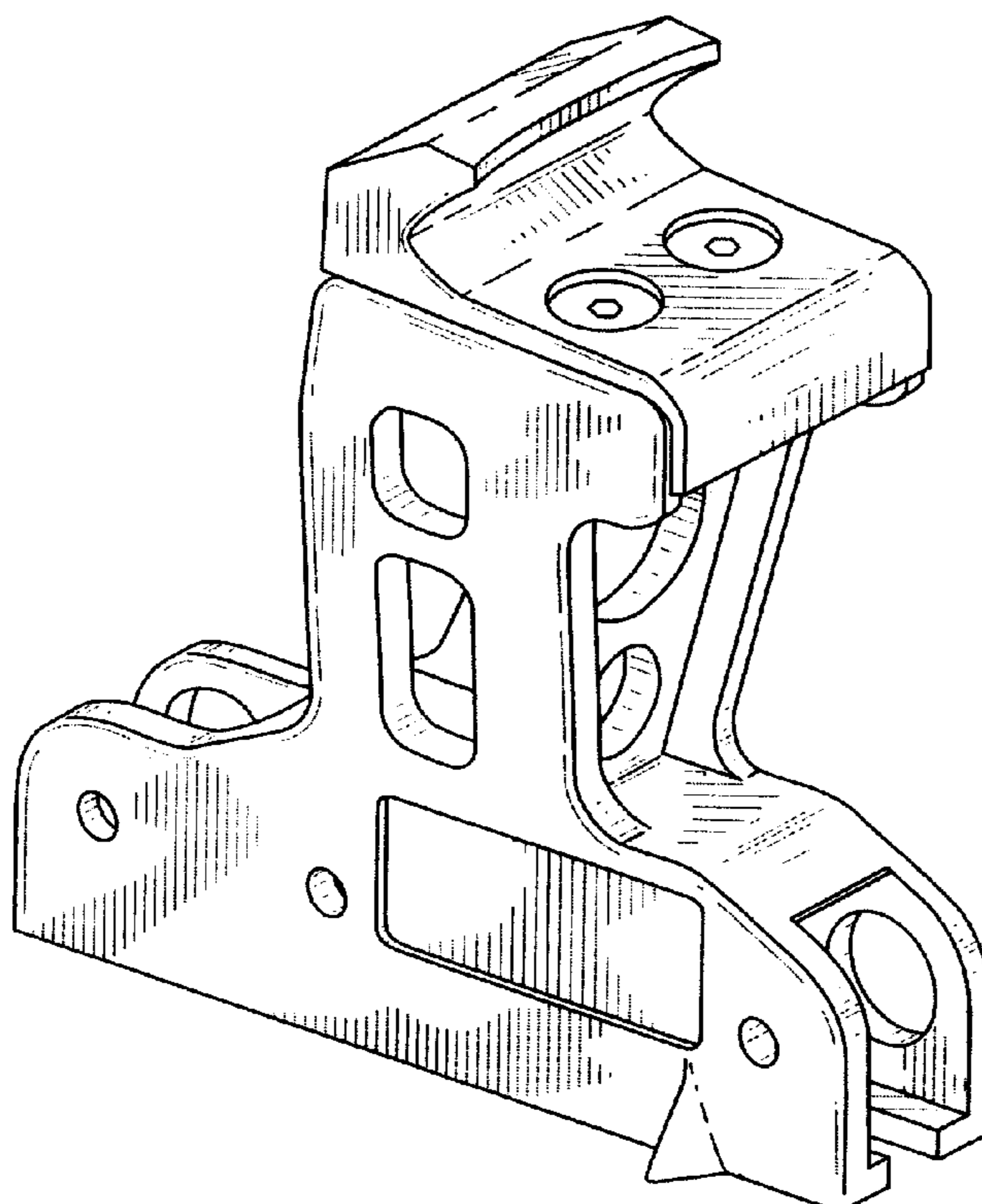
FIG. 7 is a right side elevational view of the tire changer jaw illustrated in FIG. 1.

(56) **References Cited**

U.S. PATENT DOCUMENTS

D213,914 S	*	4/1969	Simpkins	D15/199
D244,601 S	*	6/1977	Cunningham et al.	D15/199
D269,879 S	*	7/1983	Holladay et al.	D15/199
4,417,614 A		11/1983	Cunningham et al.	
D280,827 S	*	10/1985	Clark et al.	D15/199
D293,916 S		1/1988	Cunningham et al.	
5,752,555 A		5/1998	Cunningham et al.	
5,941,294 A		8/1999	Cunningham et al.	

1 Claim, 7 Drawing Sheets



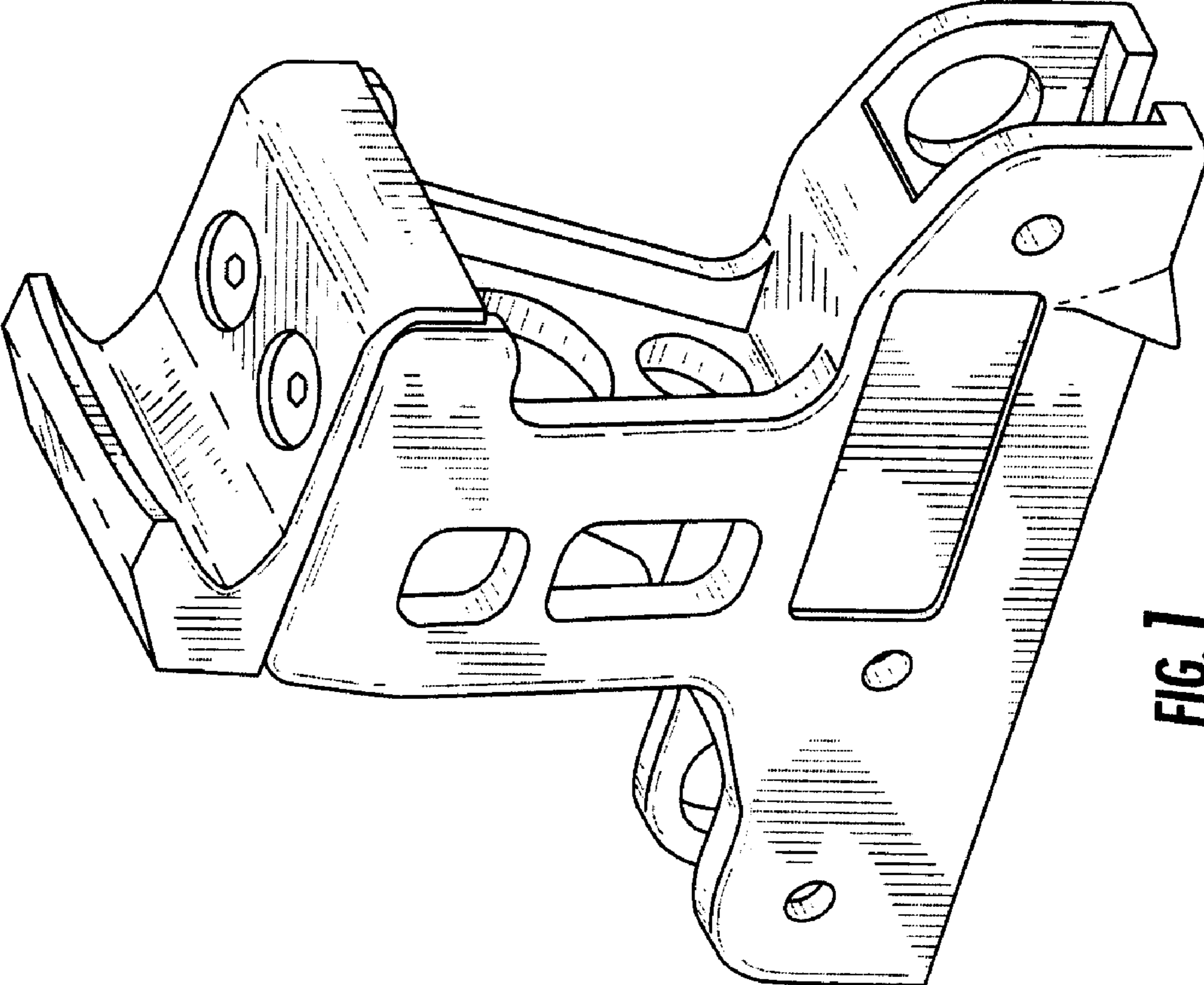


FIG. 1

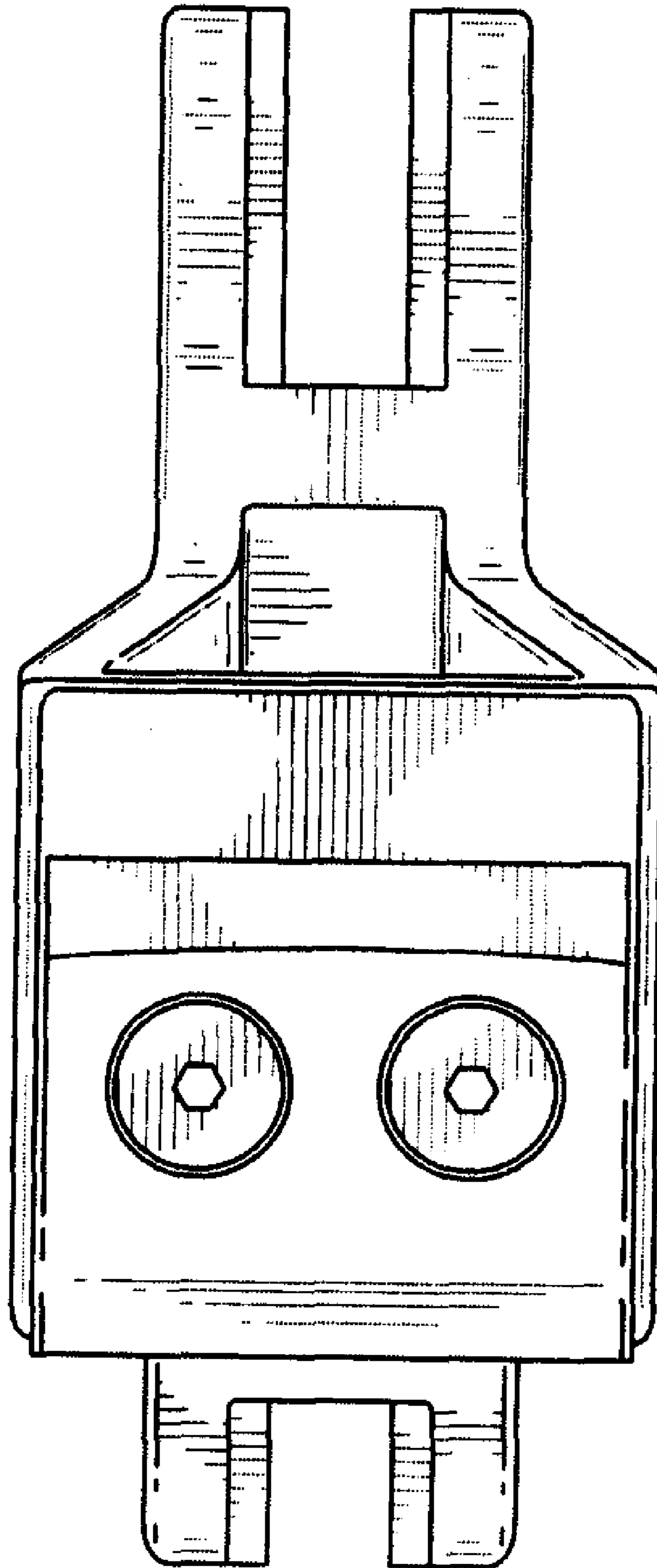


FIG. 2

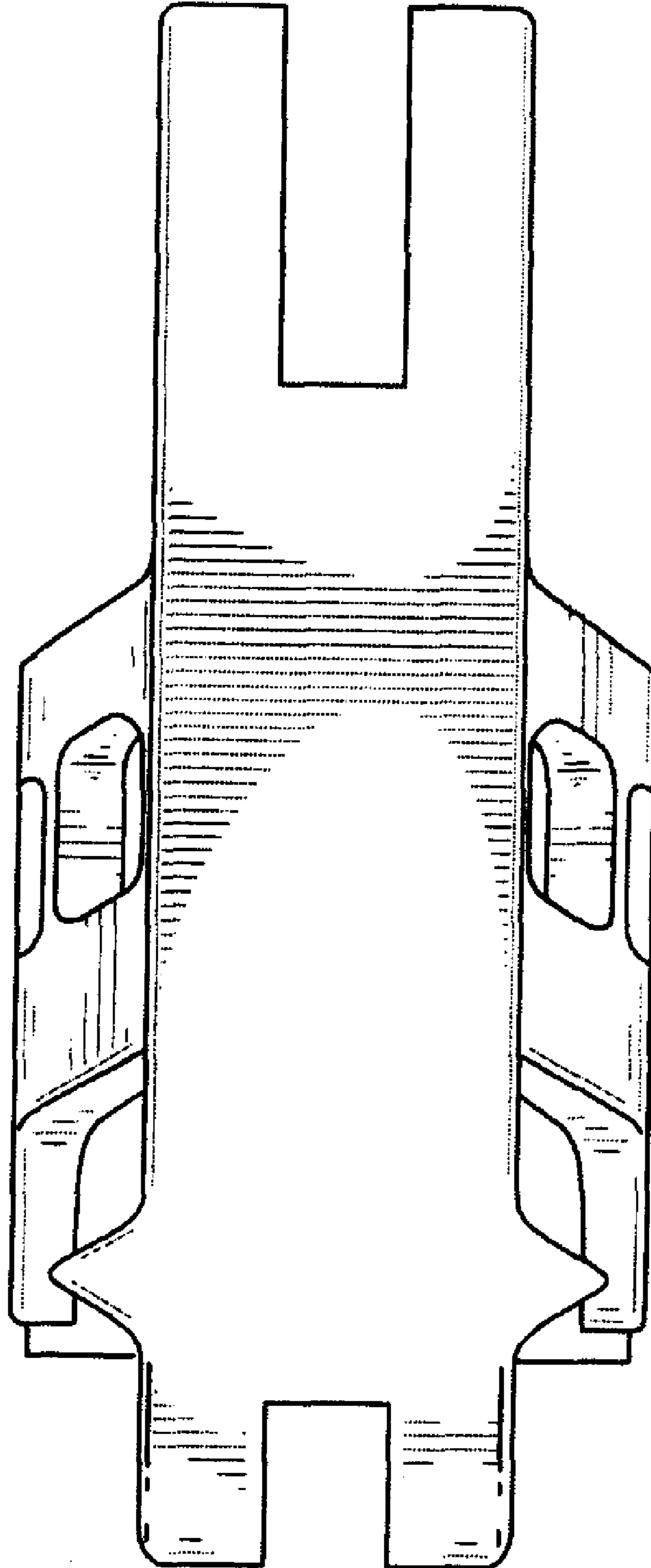


FIG. 3

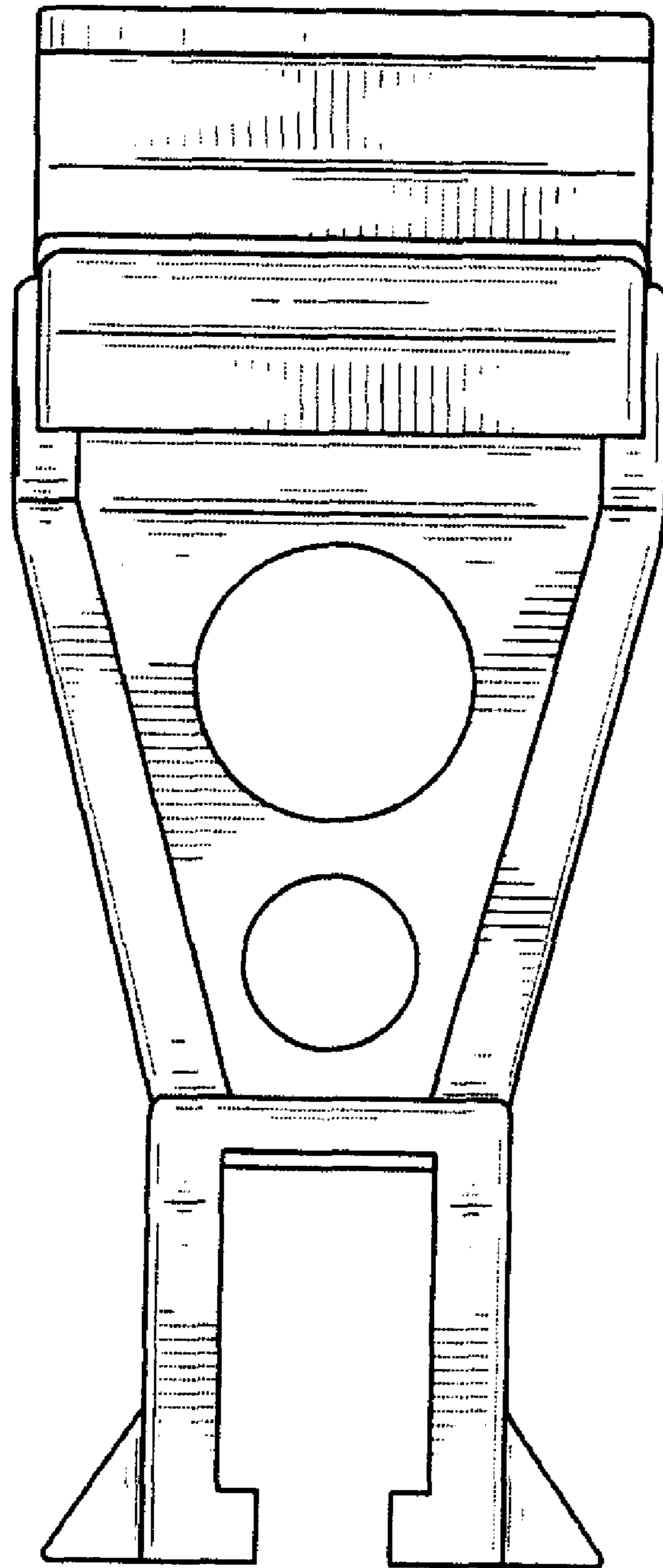


FIG. 4

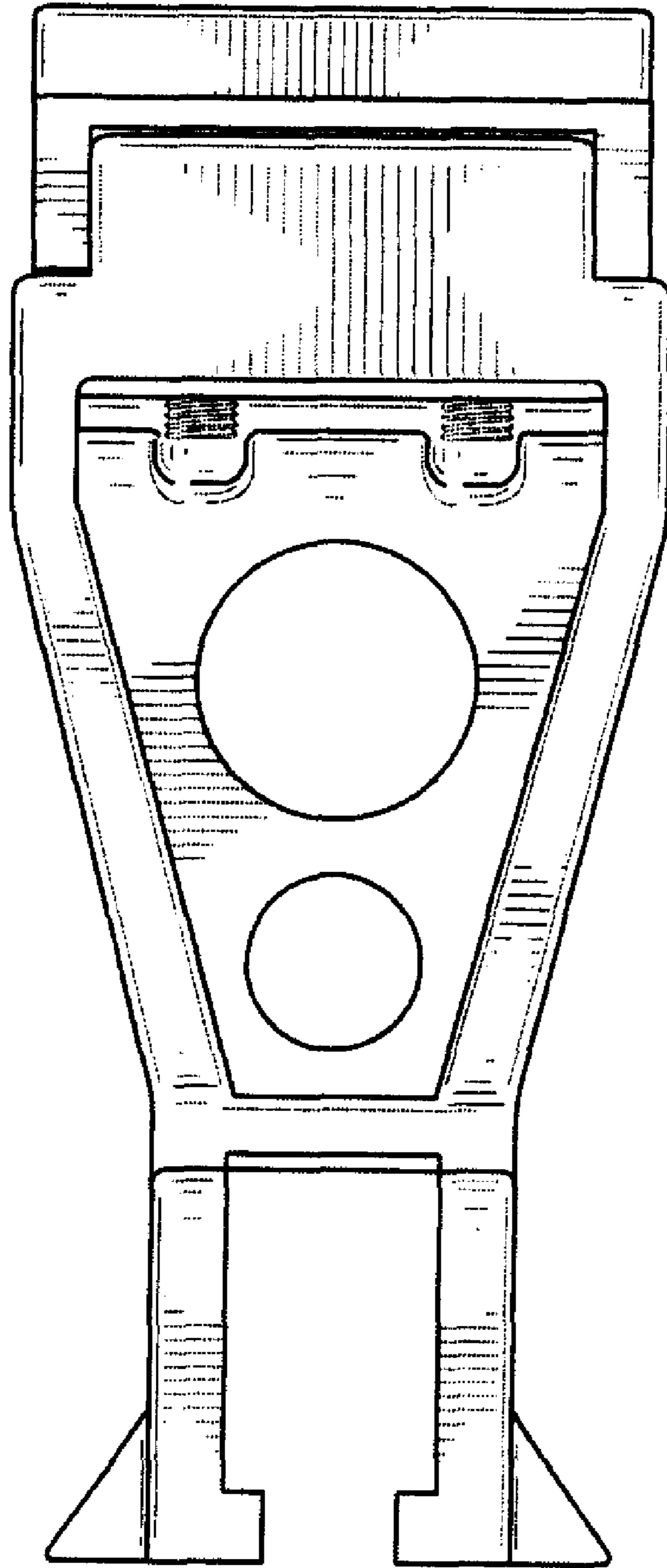


FIG. 5

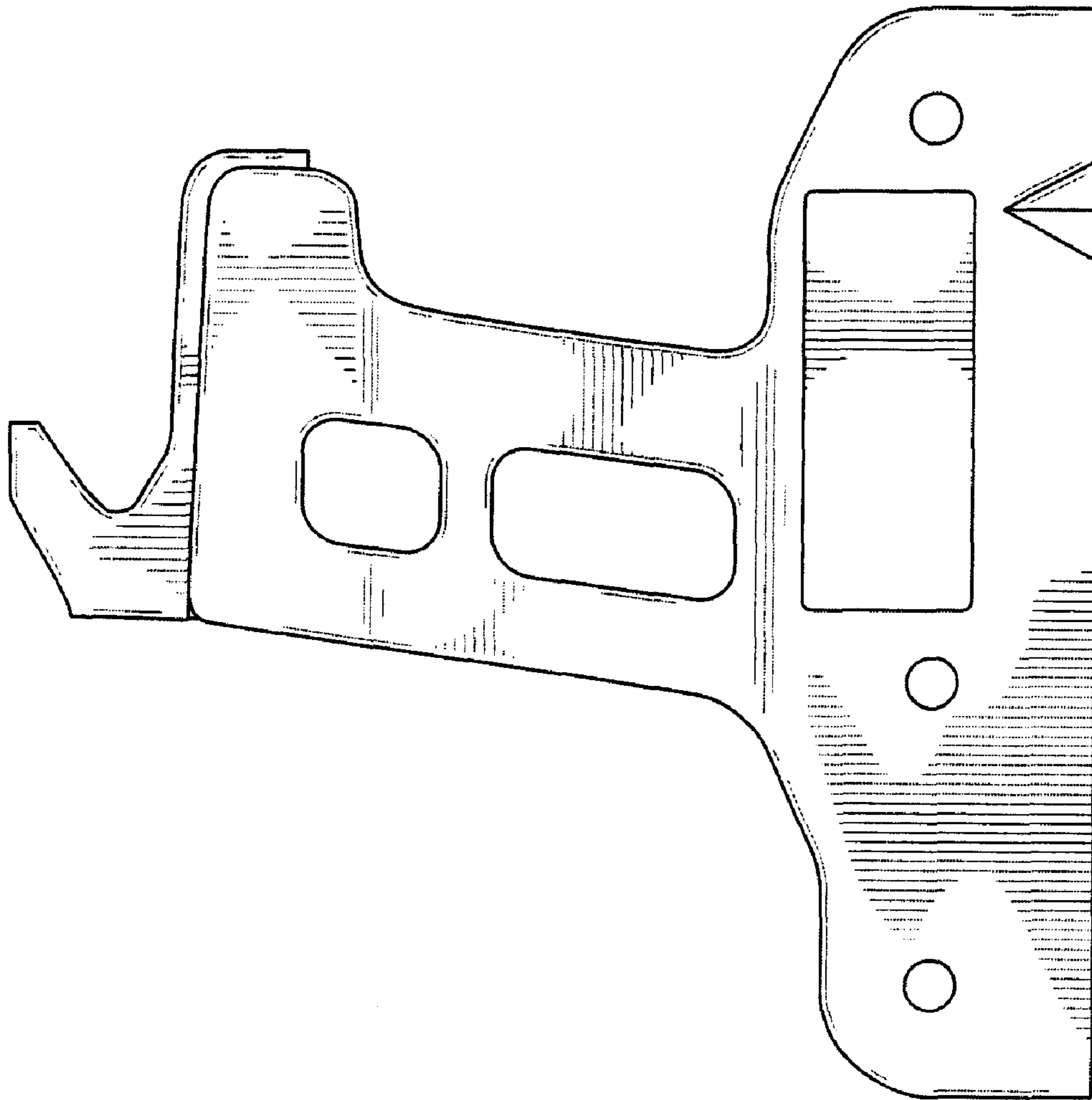


FIG. 6

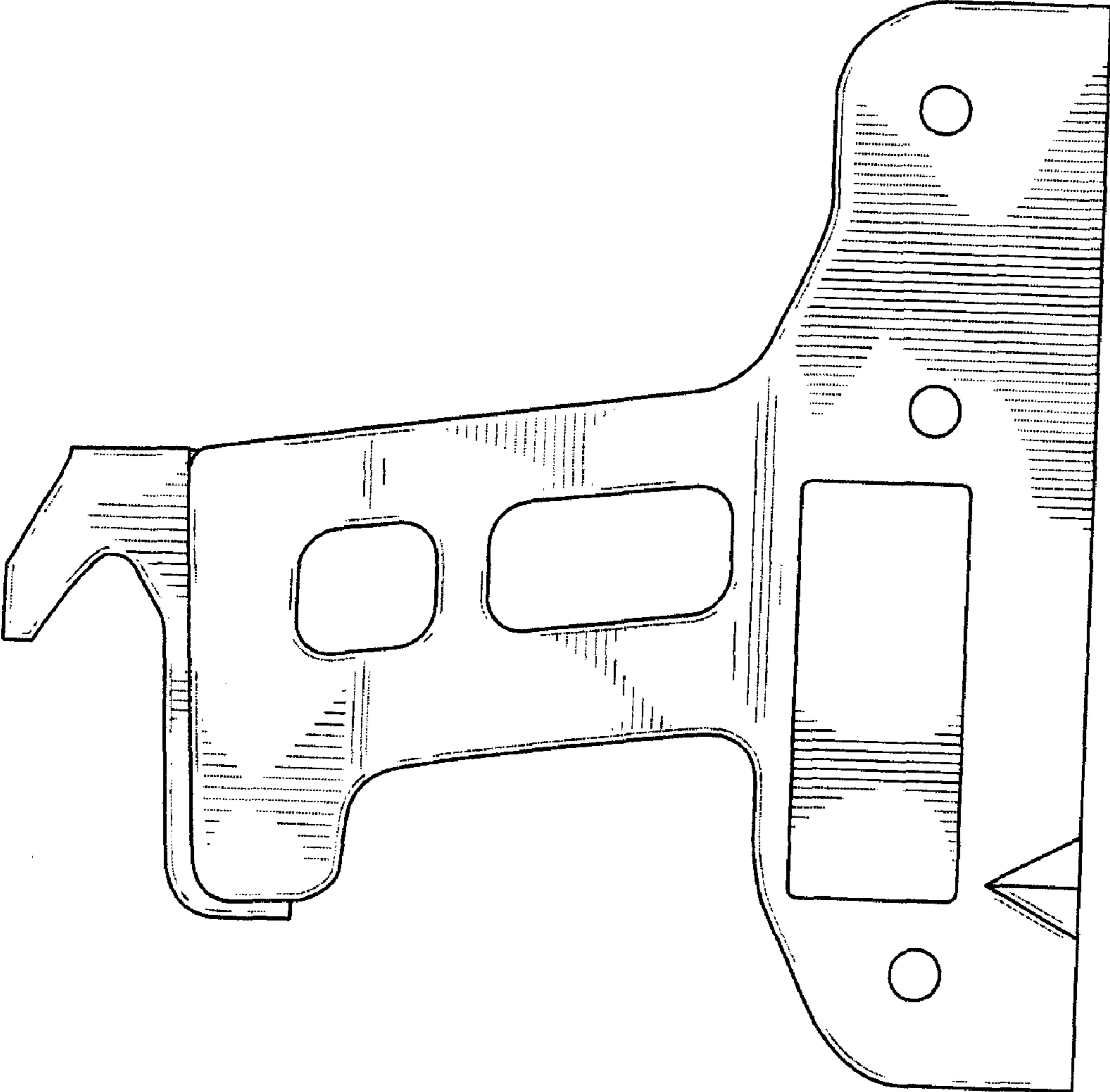


FIG. 7