



US00D535312S

(12) **United States Design Patent** (10) **Patent No.:** **US D535,312 S**
Simpson, III (45) **Date of Patent:** **** Jan. 16, 2007**

(54) **CUTTING INSERT**

D343,400 S 1/1994 Lindstedt et al.
5,315,908 A 5/1994 Mihic

(75) Inventor: **Vandell E. Simpson, III**, Akron, OH
(US)

(Continued)

(73) Assignee: **Manchester Tool Company**, Akron,
OH (US)

OTHER PUBLICATIONS

(**) Term: **14 Years**

ISCAR (Member IMC Group), Heliface Face Machining,
Iscar Turn Plus Catalog, Oct. 2001, p. G51, United States of
America.

(21) Appl. No.: **29/255,915**

ISCAR (Member IMC Group), Self-Grip Slitting Cutters,
Iscar Turn Plus Catalog, Oct. 2001, p. F8, United States of
America.

(22) Filed: **Mar. 14, 2006**

Sandvik Coromant, T-Max Q-Cut inserts (Parting and
Grooving), Sandvik Turning Tools And Inserts Catalog, Mar.
2000, p. B17, Sweden.

Related U.S. Application Data

Sandvik Coromant, T-Max Q-Cut insert geometries and
grades (Parting and Grooving), Sandvik Turning Tools And
Inserts Catalog, Mar. 2000, p. B7, Sweden.

(63) Continuation of application No. 29/220,318, filed on Dec.
29, 2004, now abandoned.

(51) **LOC (8) Cl.** **15-09**

Primary Examiner—Antoine D. Davis

(52) **U.S. Cl.** **D15/139**

Assistant Examiner—Patricia Palasik

(58) **Field of Classification Search** D15/138,
D15/139; 407/35, 42, 112–119

(74) *Attorney, Agent, or Firm*—Tarolli, Sundheim, Covell
& Tummino, LLP

See application file for complete search history.

(57) **CLAIM**

(56) **References Cited**

The ornamental design for a cutting insert, as shown and
described.

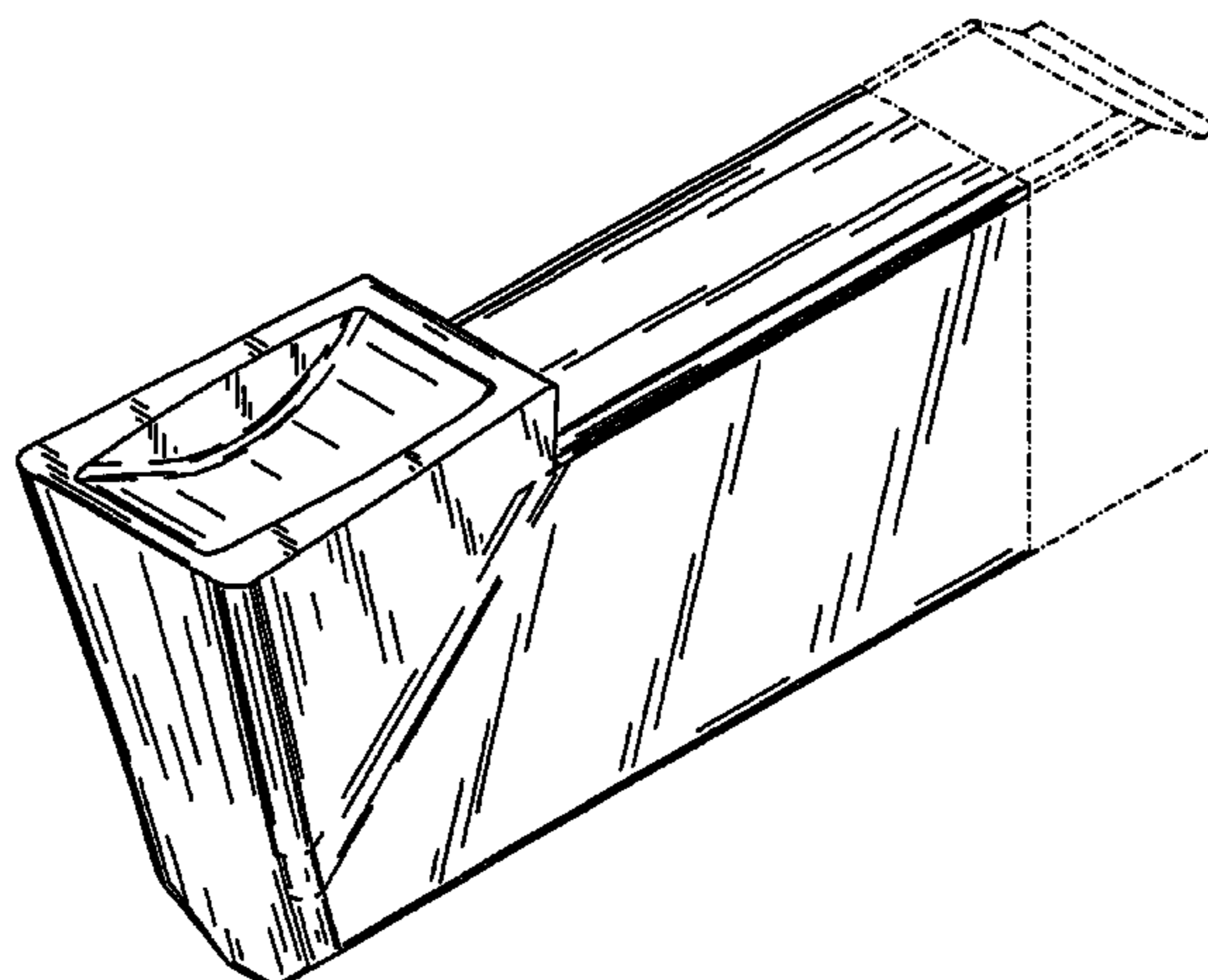
U.S. PATENT DOCUMENTS

DESCRIPTION

| | | | |
|-------------|----------|-------------------|---------------|
| 4,340,325 A | 7/1982 | Gowanlock | |
| D275,760 S | 10/1984 | Cochran | |
| 4,558,974 A | 12/1985 | Pano | |
| D284,011 S | * 5/1986 | Pano | D15/139 |
| 4,629,372 A | 12/1986 | Huston | |
| 4,778,311 A | 10/1988 | Niemi | |
| 4,801,224 A | 1/1989 | Pettersson et al. | |
| 4,832,541 A | 5/1989 | Noguchi et al. | |
| D306,032 S | 2/1990 | Mihic | |
| 4,973,204 A | 11/1990 | Mihic | |
| 4,992,008 A | 2/1991 | Pano | |
| 5,040,930 A | 8/1991 | Zinner | |
| 5,085,541 A | 2/1992 | Simpson et al. | |
| 5,135,336 A | 8/1992 | Noguchi et al. | |
| 5,137,396 A | 8/1992 | Durschinger | |
| D329,439 S | 9/1992 | Gustafsson et al. | |
| D329,858 S | 9/1992 | Gustafsson et al. | |
| 5,161,920 A | 11/1992 | Zinner | |
| D338,477 S | 8/1993 | Mihic | |

FIG. 1 is a perspective view of a cutting insert showing my
new design;
 FIG. 2 is a side elevational view of the cutting insert shown
in FIG. 1;
 FIG. 3 is a top plan view of the cutting insert shown in FIG.
1;
 FIG. 4 is a bottom plan view of the cutting insert shown in
FIG. 1.
 FIG. 5 is a left end view of the cutting insert shown in FIG.
1; and,
 FIG. 6 is a right end view of the cutting insert shown in FIG.
1.
 The broken lines in FIGS. 1–6 are for illustrative purposes
only and do not form part of the invention shown in FIGS.
1–6.

1 Claim, 2 Drawing Sheets



US D535,312 S

Page 2

| U.S. PATENT DOCUMENTS | | | | | |
|-----------------------|----------|---------------------|---------------------|---------|------------------|
| | | | 5,921,724 A | 7/1999 | Erickson et al. |
| | | | 5,975,812 A | 11/1999 | Friedman |
| | | | 5,993,118 A | 11/1999 | Brask et al. |
| | | | 6,086,291 A | 7/2000 | Hansson et al. |
| | | | 6,146,064 A | 11/2000 | Flolo |
| | | | 6,238,147 B1 | 5/2001 | Tagtstrom et al. |
| | | | RE37,595 E | 3/2002 | Lindstedt |
| | | | 6,428,247 B1 | 8/2002 | Friedman |
| | | | D470,516 S | 2/2003 | Andersson |
| | | | D470,517 S | 2/2003 | Andersson |
| | | | 6,843,620 B1 | 1/2005 | Inayama |
| | | | 2002/0197119 A1 | 12/2002 | Kinukawa |
| | | | * cited by examiner | | |
| D350,549 S | 9/1994 | Lindstedt et al. | | | |
| 5,360,298 A | 11/1994 | Hedlund | | | |
| 5,375,948 A | 12/1994 | Lindstedt | | | |
| 5,382,119 A | 1/1995 | Mihic | | | |
| 5,423,639 A | 6/1995 | Wiman | | | |
| 5,511,911 A | 4/1996 | Katbi et al. | | | |
| D381,027 S | * 7/1997 | Mihic D15/139 | | | |
| 5,676,495 A | 10/1997 | Katbi et al. | | | |
| 5,704,737 A | 1/1998 | Alford | | | |
| 5,725,334 A | 3/1998 | Paya | | | |
| 5,827,017 A | 10/1998 | Tagtstrom et al. | | | |
| 5,829,924 A | 11/1998 | Oshnock et al. | | | |

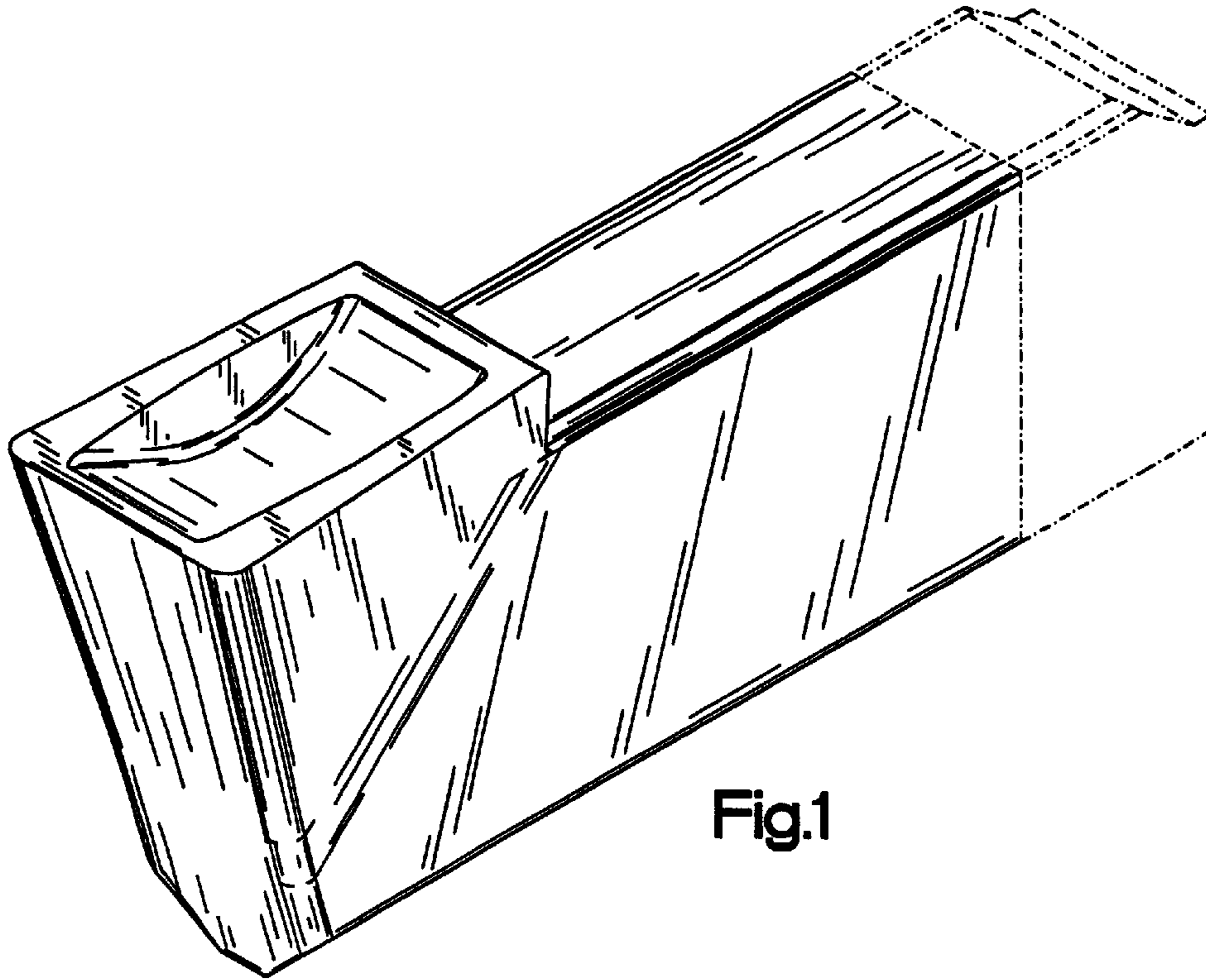


Fig.1

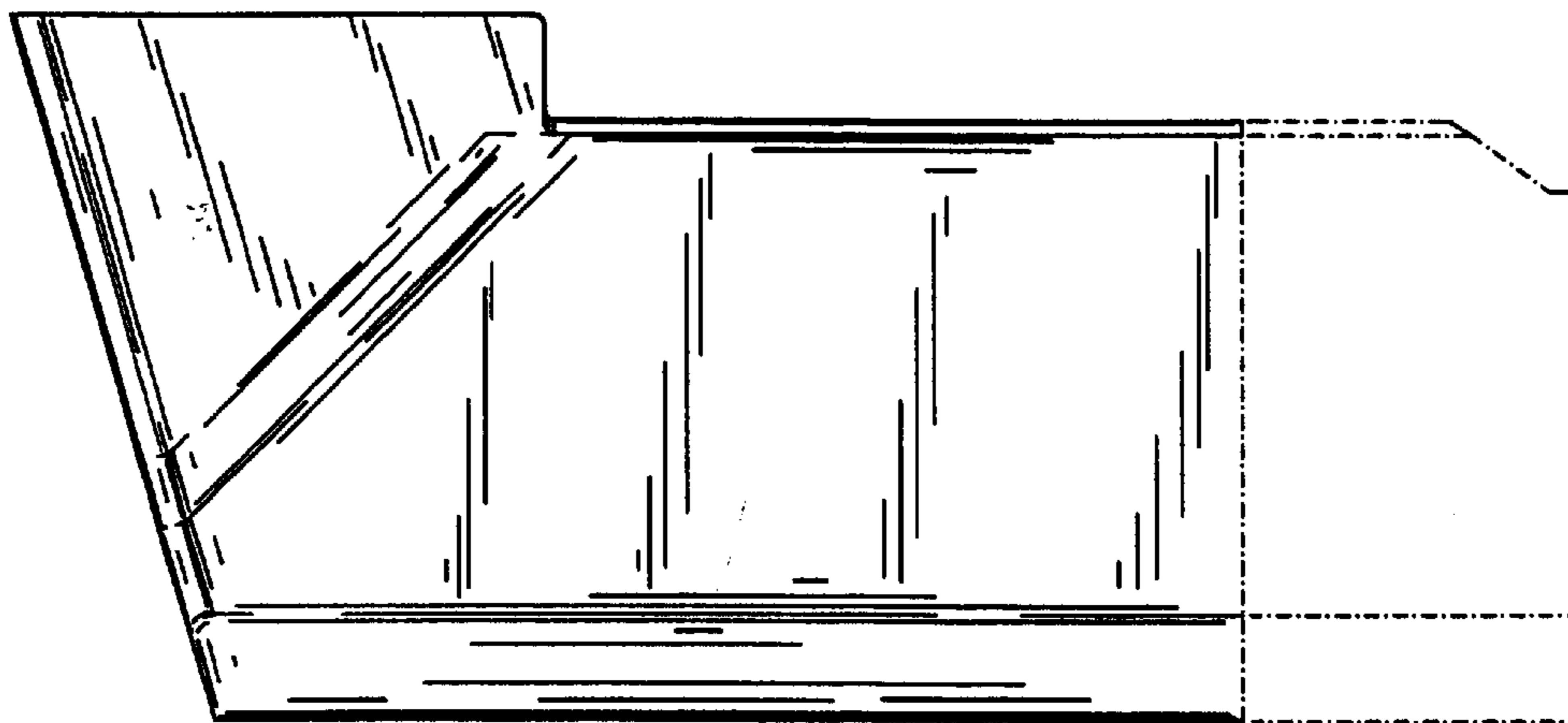


Fig.2

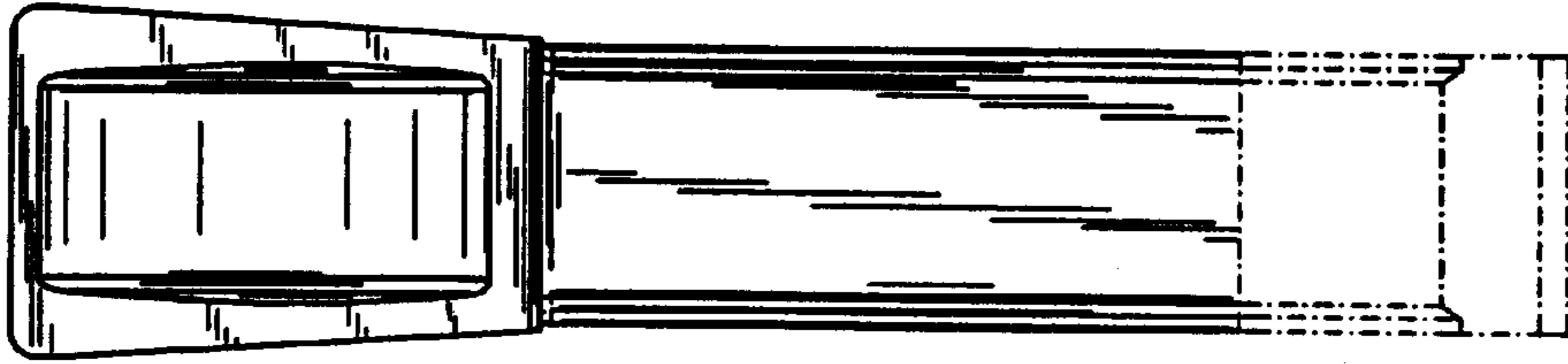


Fig.3

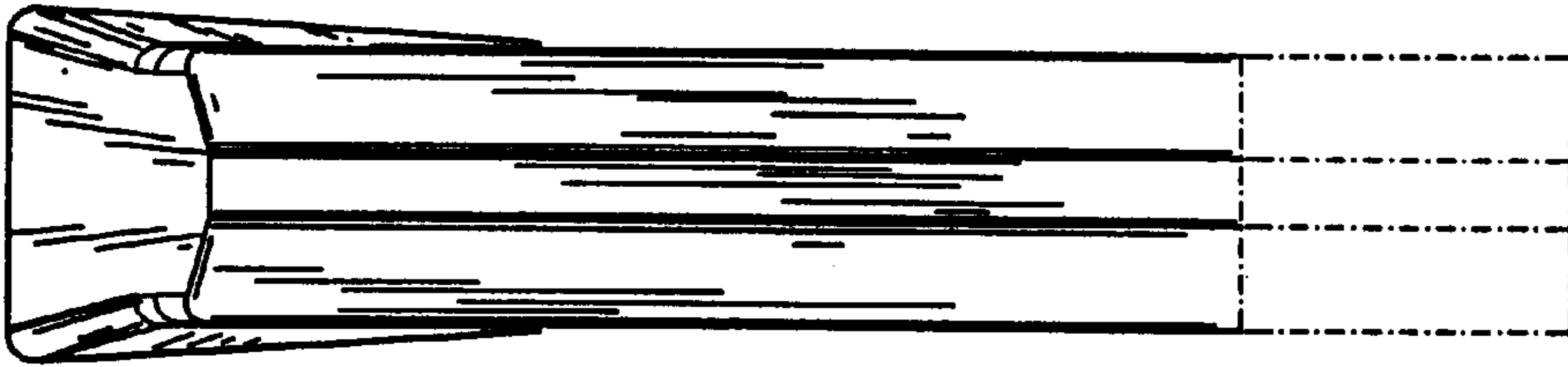


Fig.4

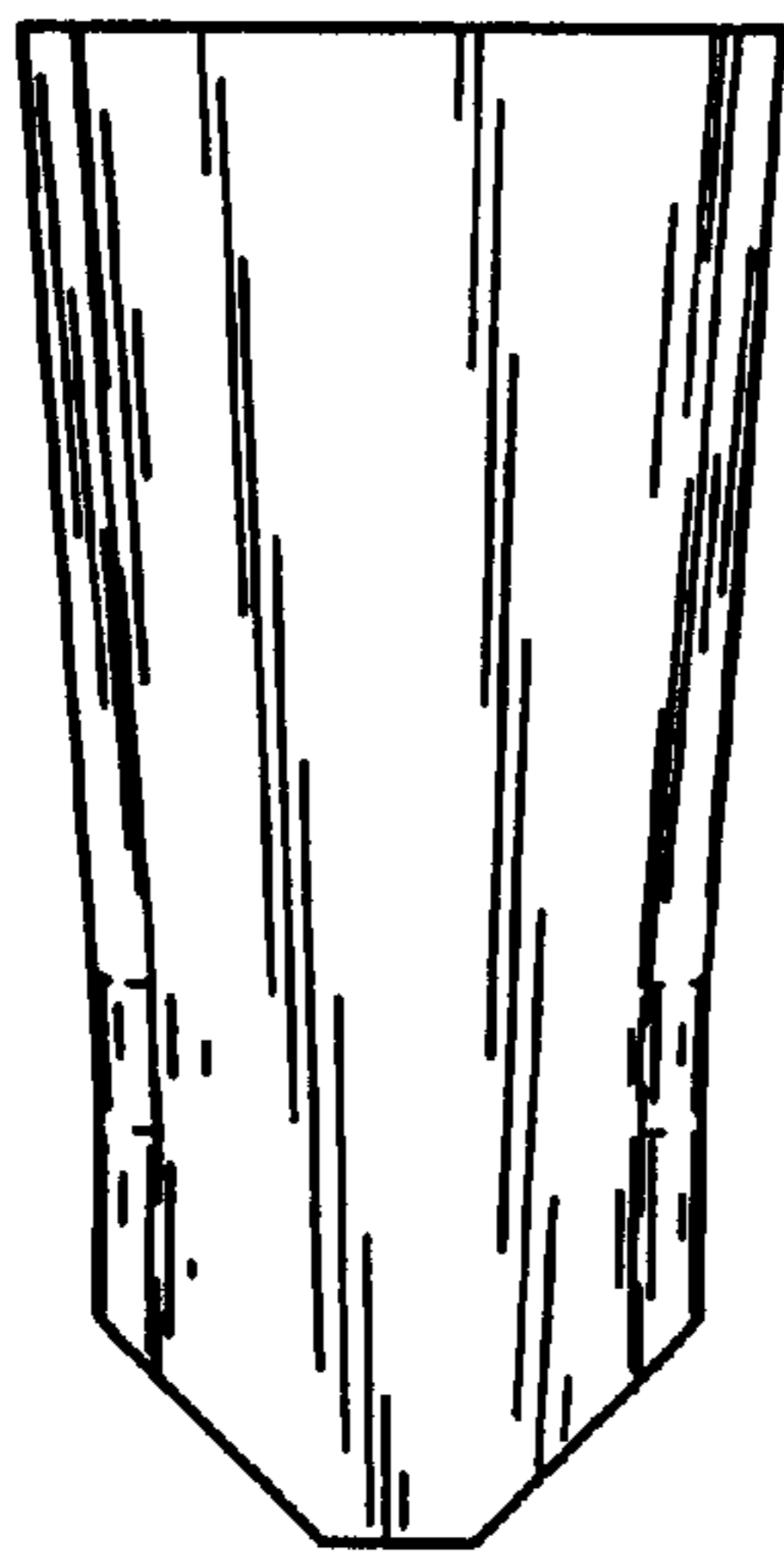


Fig.5

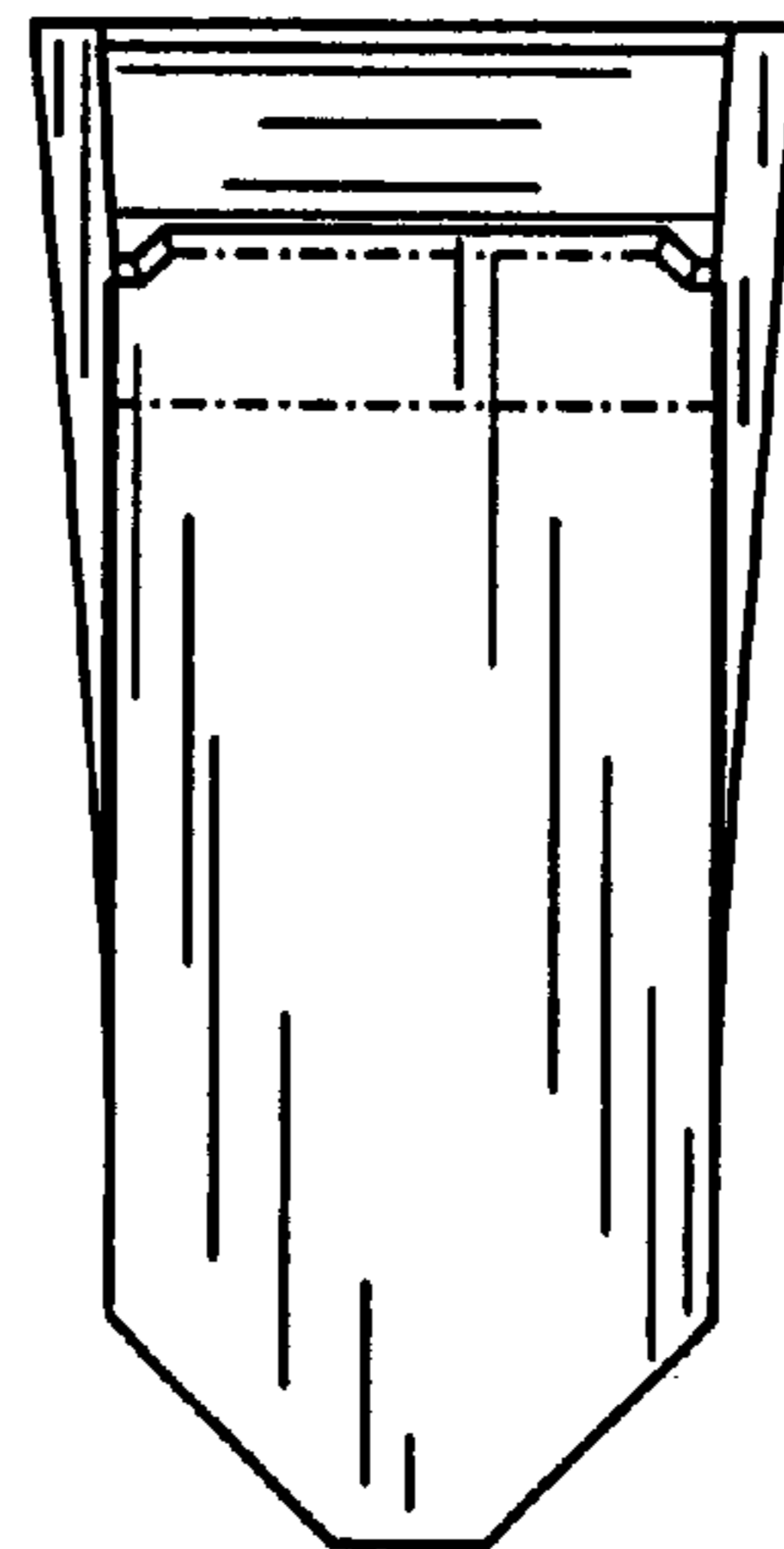


Fig.6