



US00D535311S

(12) **United States Design Patent**  
**Lee**

(10) **Patent No.:** **US D535,311 S**  
(45) **Date of Patent:** **\*\* Jan. 16, 2007**

(54) **DIE PRESS**

D386,790 S \* 11/1997 Mori ..... D15/123

(76) Inventor: **Chia Shun Lee**, No. 361-1, Dongyong St., Bade City, Taoyuan (TW), 334

\* cited by examiner

*Primary Examiner*—Antoine D. Davis  
*Assistant Examiner*—Patirica Palasik

(\*\*) Term: **14 Years**

(21) Appl. No.: **29/233,434**

(57) **CLAIM**

The ornamental design for a die press, as shown.

(22) Filed: **Jul. 5, 2005**

**DESCRIPTION**

(51) **LOC (8) Cl.** ..... **15-09**

(52) **U.S. Cl.** ..... **D15/136**

(58) **Field of Classification Search** ..... D8/40,  
D8/52, 83; D15/123, 135, 128, 136; 100/233,  
100/245, 282, 902

FIG. 1 is a perspective view of a die press showing my new design;  
FIG. 2 is a rear elevational view thereof;  
FIG. 3 is a front elevational view thereof;  
FIG. 4 is a right side elevational view thereof;  
FIG. 5 is a top plan view thereof;  
FIG. 6 is a left side elevational view thereof; and,  
FIG. 7 is a bottom plan view thereof.

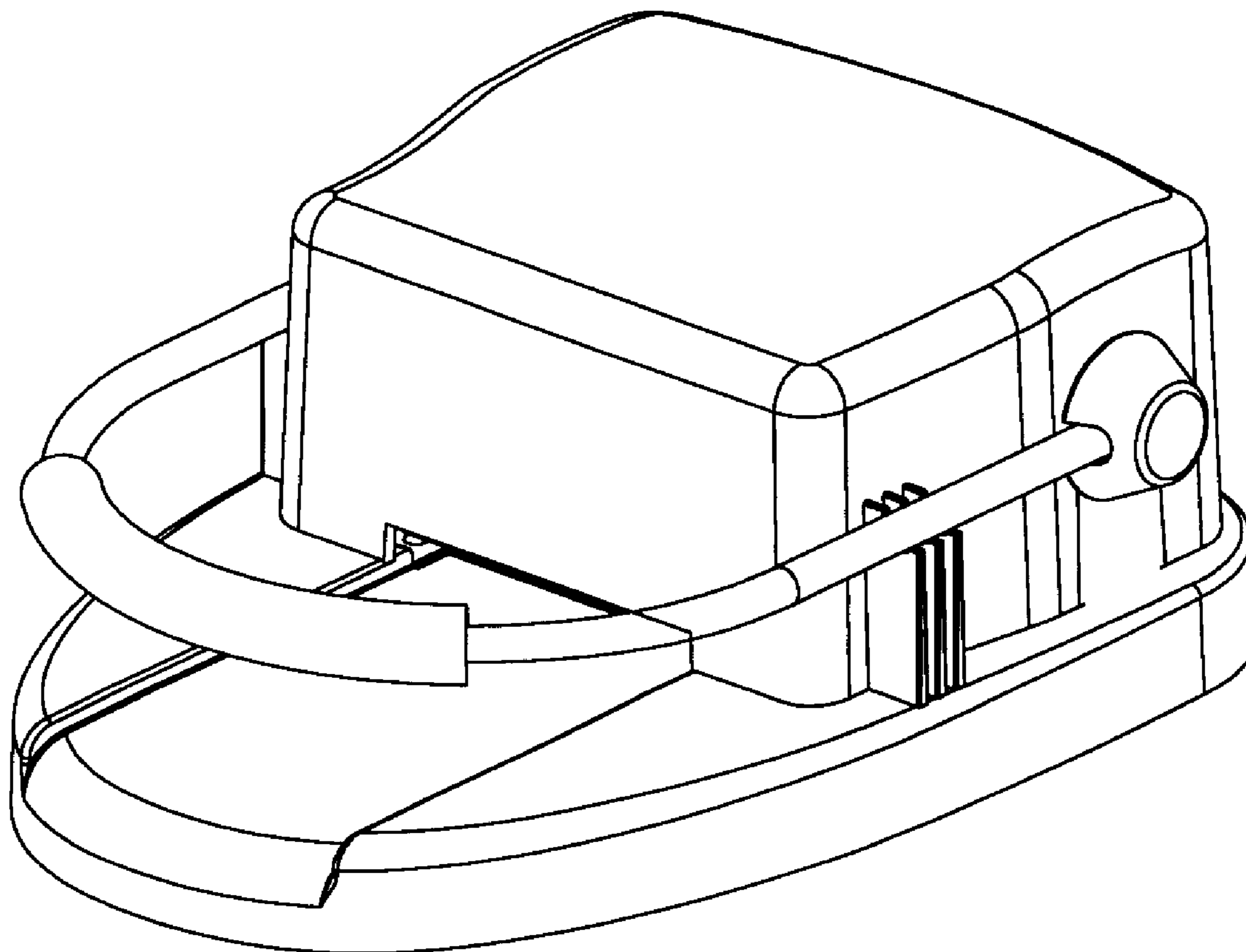
See application file for complete search history.

(56) **References Cited**

**U.S. PATENT DOCUMENTS**

3,450,031 A \* 6/1969 Peterson ..... 100/281  
D323,171 S \* 1/1992 Wittman et al. .... D15/123

**1 Claim, 4 Drawing Sheets**



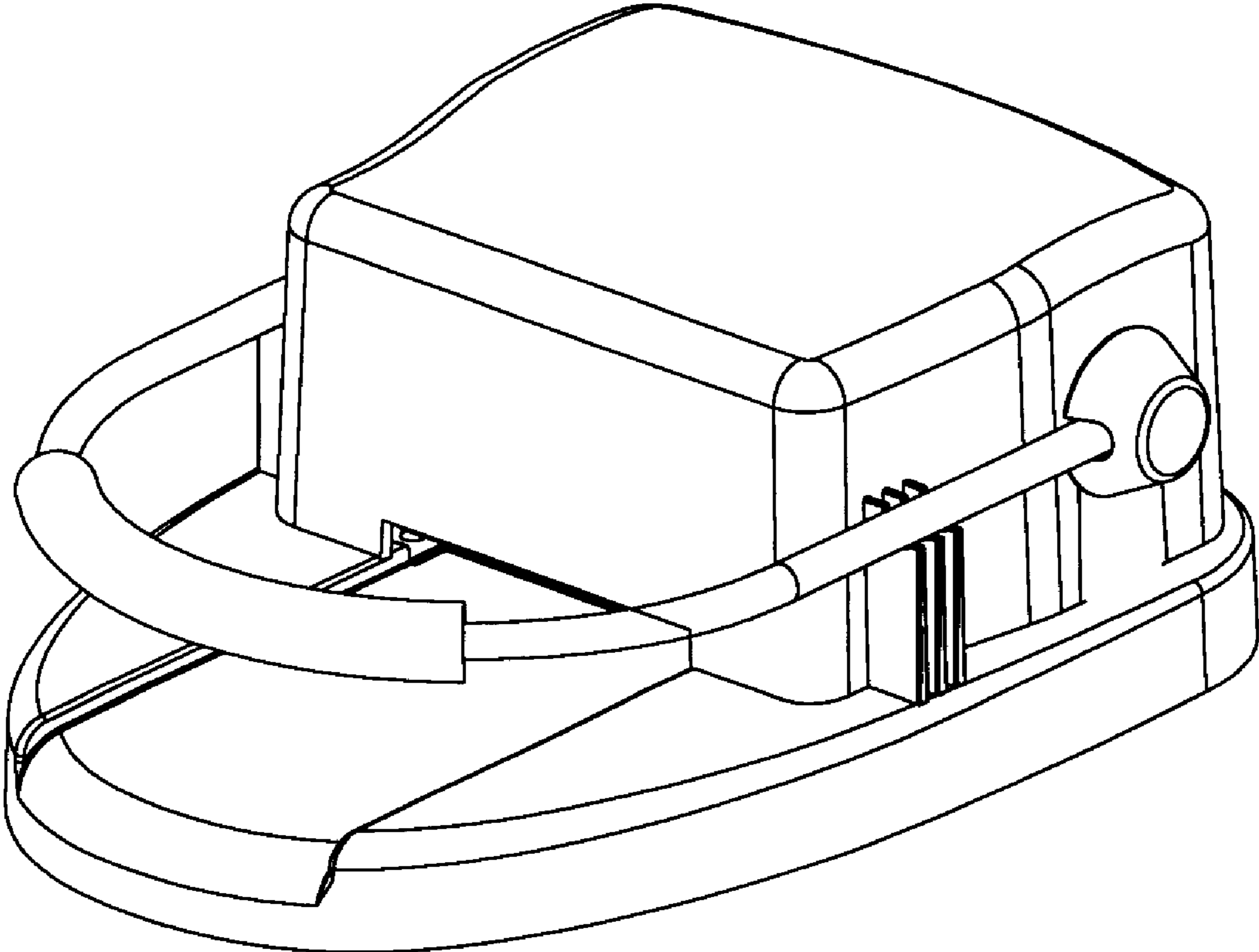


FIG. 1

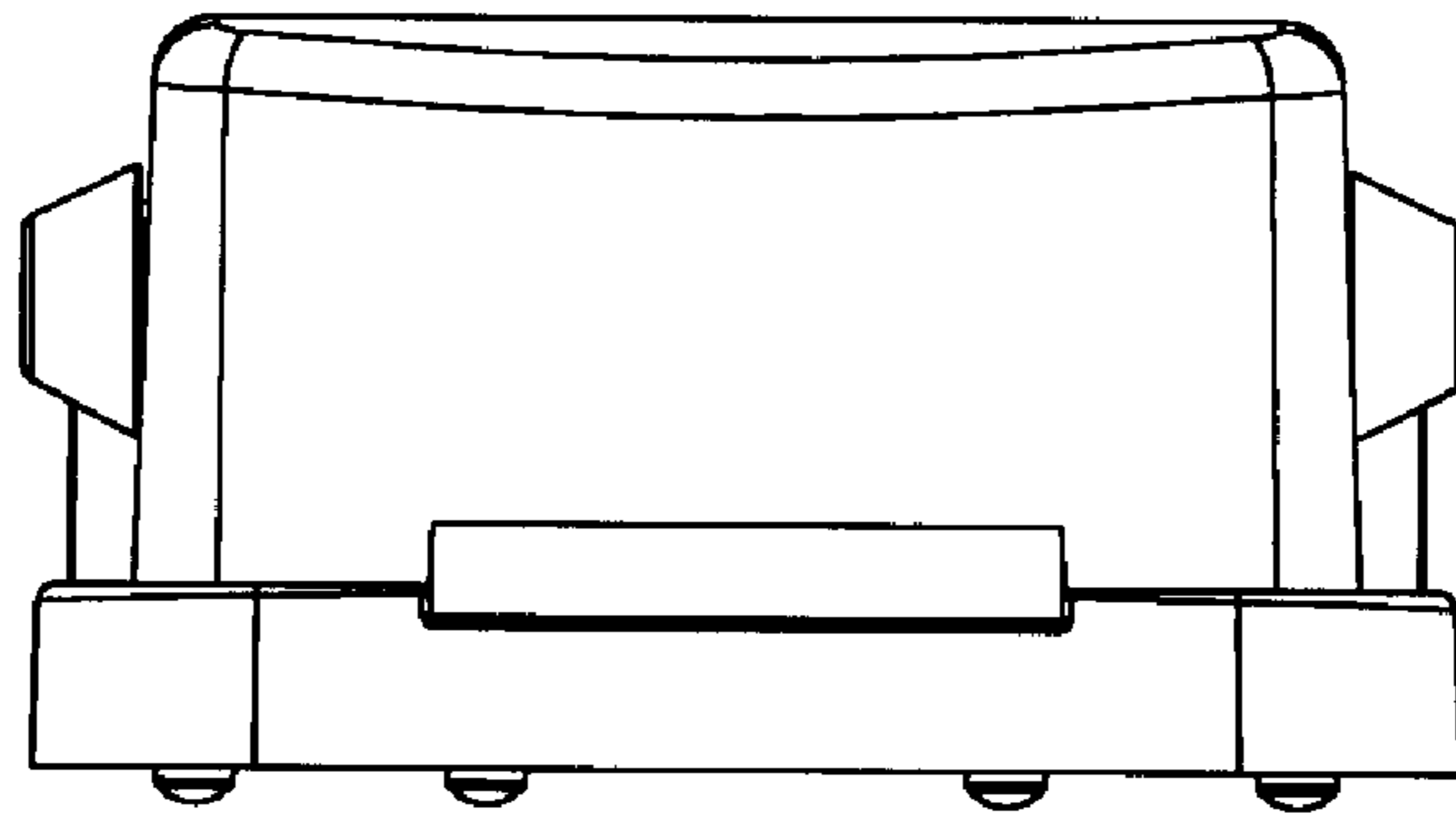


FIG. 2

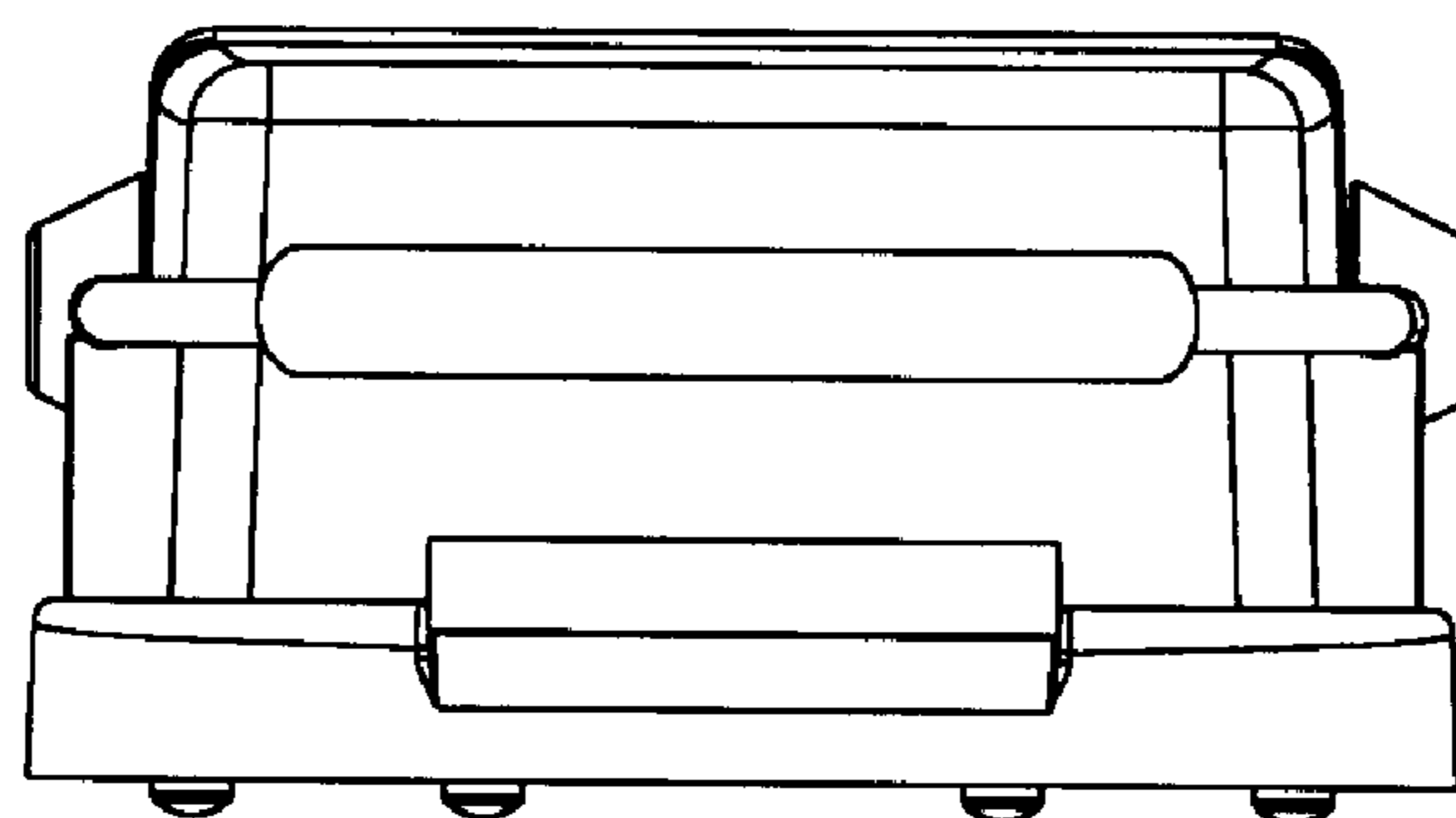


FIG. 3

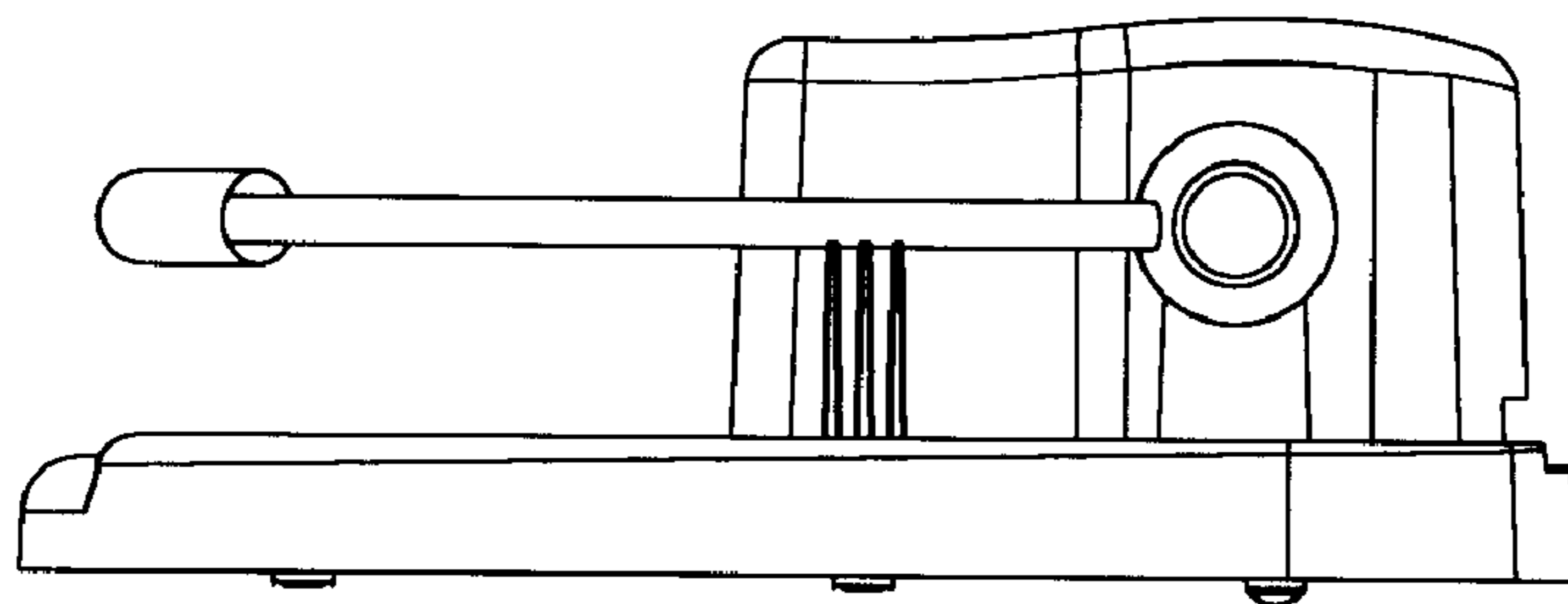


FIG. 4

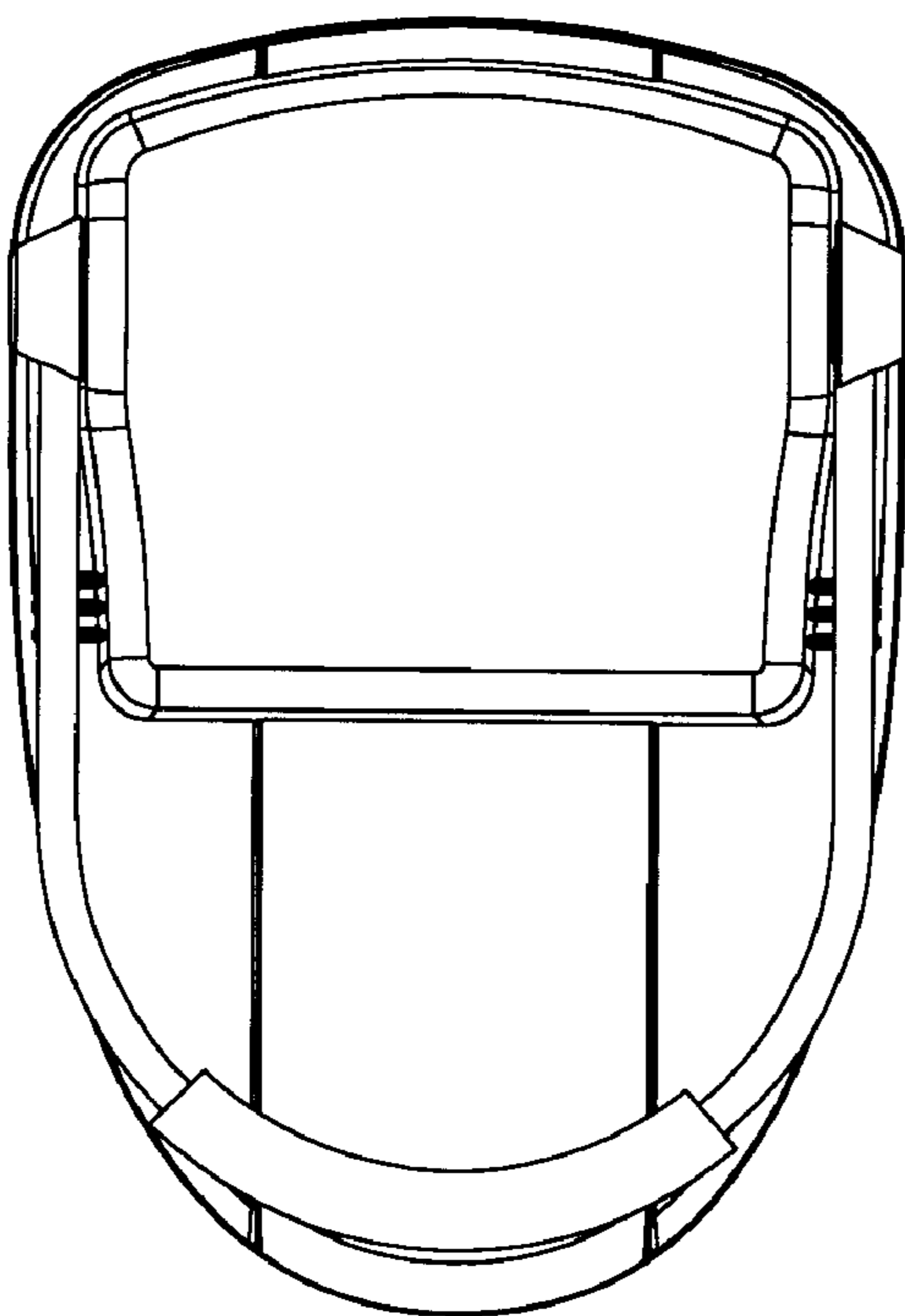


FIG. 5

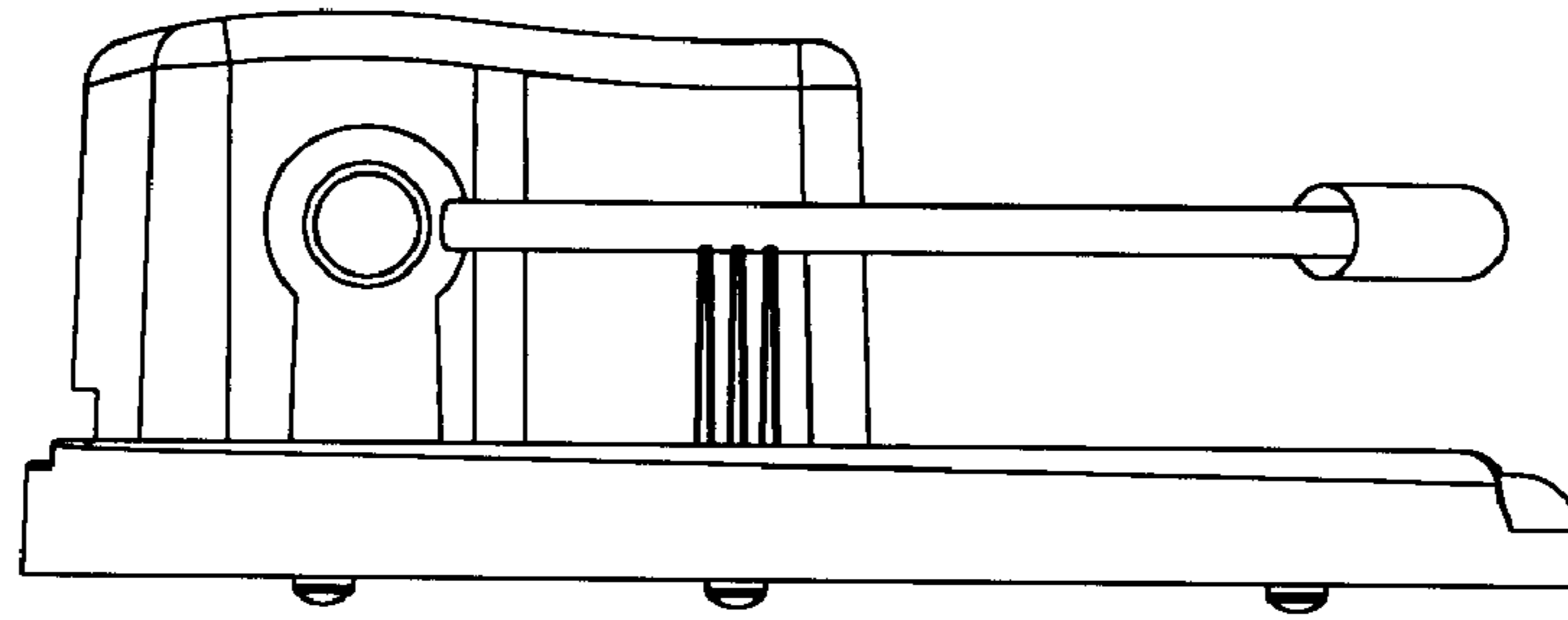


FIG. 6

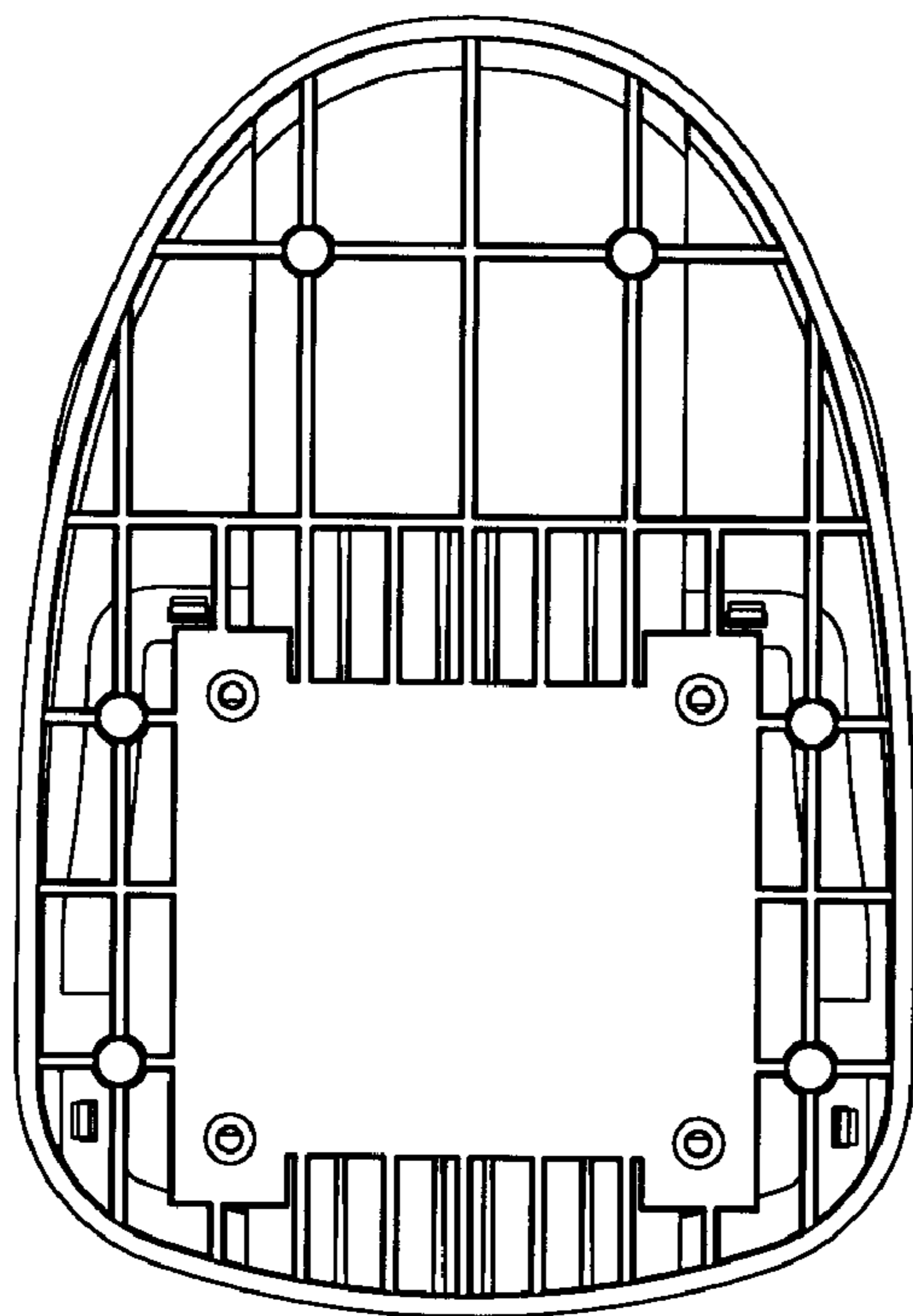


FIG. 7